



US00D855201S

(12) **United States Design Patent** (10) **Patent No.:** **US D855,201 S**
LiCalzi et al. (45) **Date of Patent:** **** Jul. 30, 2019**

(54) **SYSTEM INCLUDING MULTIPLE INSTRUMENT MODULES AND ARRANGEMENT THEREOF**

(71) Applicant: **Siemens Healthcare Diagnostics Inc.**, Tarrytown, NY (US)

(72) Inventors: **Daniel LiCalzi**, New York, NY (US); **Youngsang Lee**, Flushing, NY (US); **Mark Lloyd**, Townsend, DE (US); **Gregory Bange**, Newark, DE (US); **Richard Warwick**, Newark, DE (US); **Robert Faranda**, Boxborough, MA (US); **Richard Watson**, Norwell, MA (US); **Justin Cumming**, Topsfield, MA (US)

(73) Assignee: **Siemens Healthcare Diagnostics Inc.**, Tarrytown, NY (US)

(**) Term: **15 Years**

(21) Appl. No.: **29/635,638**

(22) Filed: **Feb. 1, 2018**

Related U.S. Application Data

(62) Division of application No. 29/569,431, filed on Jun. 27, 2016, now Pat. No. Des. 816,860.

(51) **LOC (11) Cl.** **24-01**

(52) **U.S. Cl.**
USPC **D24/216**

(58) **Field of Classification Search**
USPC D24/216, 111, 127, 107, 169, 186, 217, D24/219, 223–224, 231–234; D10/46,
(Continued)

(56) **References Cited**

U.S. PATENT DOCUMENTS

D645,367 S * 9/2011 Hayashi D10/81
D669,189 S * 10/2012 Liu D24/216

(Continued)

Primary Examiner — Wan Laymon
Assistant Examiner — Mark Booker

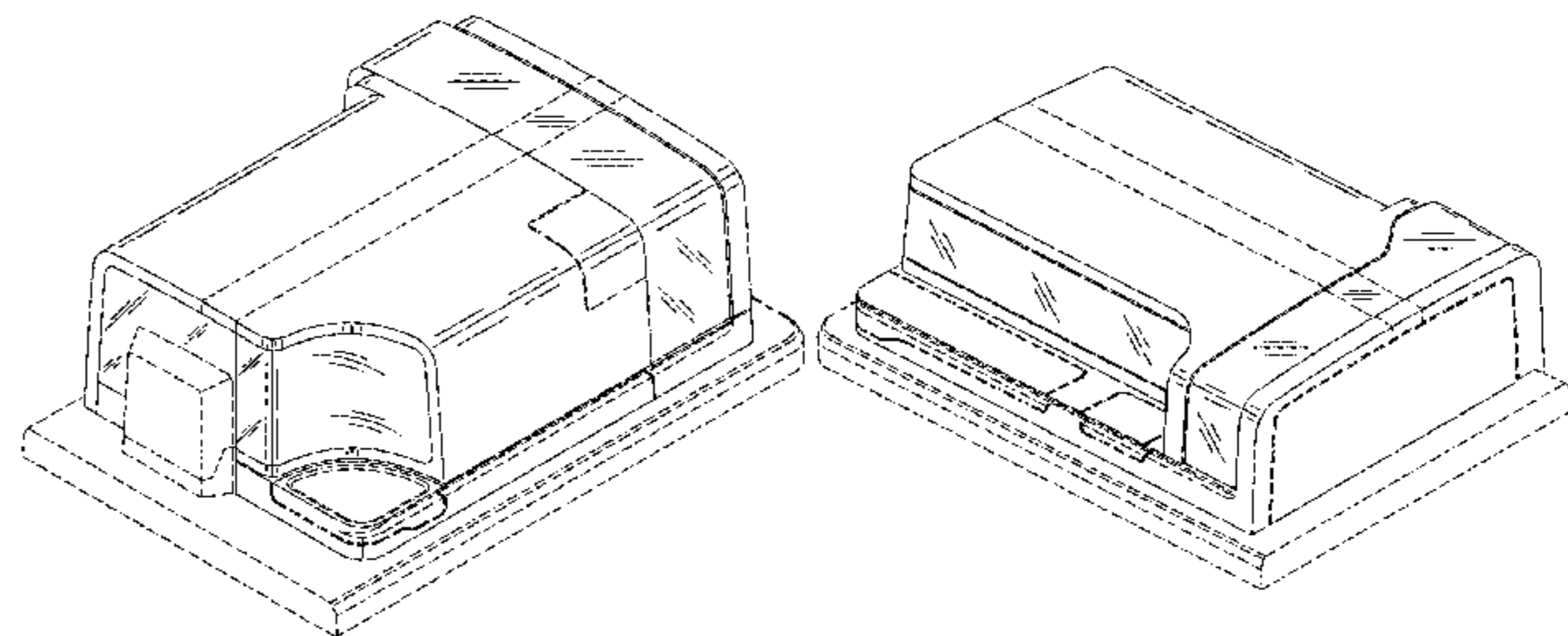
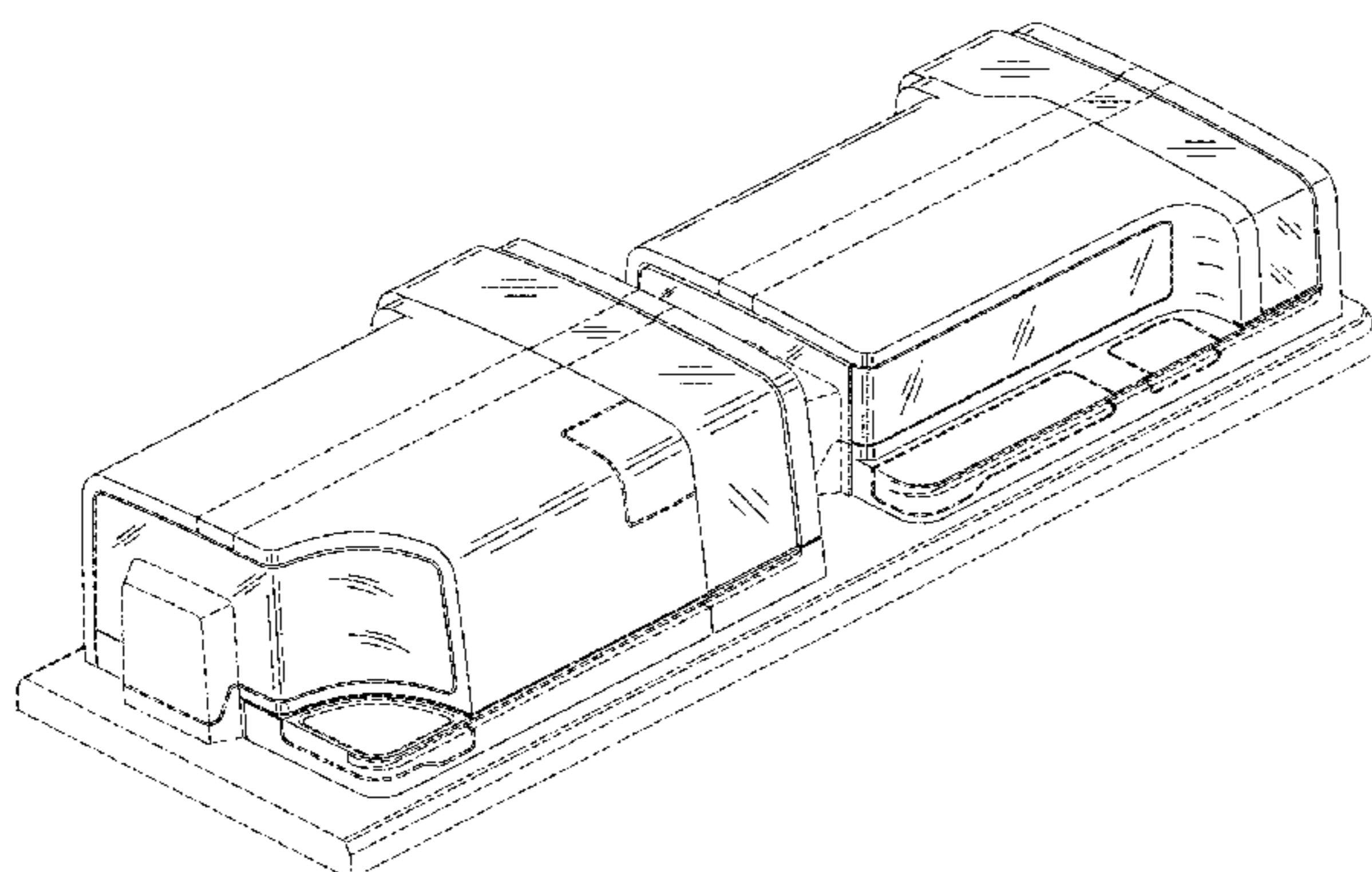
(57) **CLAIM**

We claim the ornamental design for a system including multiple instrument modules and arrangement thereof, as shown and described.

DESCRIPTION

FIG. 1 is a front perspective view of a system including multiple instrument modules and arrangement thereof in accordance with a first embodiment;
FIG. 2 is a rear perspective view of a system including multiple instrument modules and arrangement thereof;
FIG. 3 is a front elevational view of a system including multiple instrument modules and arrangement thereof;
FIG. 4 is a rear elevational view of a system including multiple instrument modules and arrangement thereof;
FIG. 5 is a left side elevational view of a system including multiple instrument modules and arrangement thereof;
FIG. 6 is a right side elevational view of a system including multiple instrument modules and arrangement thereof;
FIG. 7 is a top view of a system including multiple instrument modules and arrangement thereof;
FIG. 8 is a bottom view of a system including multiple instrument modules and arrangement thereof;
FIG. 9 is a front perspective view of a system including multiple instrument modules and arrangement thereof in accordance with a second embodiment;
FIG. 10 is a front elevational view of a system including multiple instrument modules and arrangement thereof;
FIG. 11 is a rear elevational view of a system including multiple instrument modules and arrangement thereof;
FIG. 12 is a left side elevational view of a system including multiple instrument modules and arrangement thereof;
FIG. 13 is a right side elevational view of a system including multiple instrument modules and arrangement thereof;
FIG. 14 is a top view of a system including multiple instrument modules and arrangement thereof; and,
FIG. 15 is a bottom view of a system including multiple instrument modules and arrangement thereof.
The broken line showing in the figures is included for the purpose of illustrating portions of the system including multiple instrument modules and arrangement thereof and form no part of the claimed design.

1 Claim, 15 Drawing Sheets



US D855,201 S

Page 2

(58) **Field of Classification Search**

USPC D10/70, 81, 97; 422/1, 62-65, 67, 68.1,
422/70, 81, 129, 500, 506, 561,
422/FOR. 106; 435/287.1, 287.3;
436/43, 45, 47; 600/300, 301, 368, 372,
600/481, 529, 544, 554, 561; 607/4, 5, 9,
607/30
CPC ... G01R 31/31907; B04B 13/00; B04B 15/00;
B04B 2005/0435; B04B 5/0421; A61B
5/157; G06F 19/366; B01D 21/262
See application file for complete search history.

(56)

References Cited

U.S. PATENT DOCUMENTS

D676,143 S * 2/2013 Liu D24/216
D676,568 S * 2/2013 Liu D24/216

D685,483 S * 7/2013 LiCalzi D24/216
D735,878 S * 8/2015 Chang D24/216
D738,243 S * 9/2015 Selberg D10/81
D804,681 S * 12/2017 LiCalzi D24/216
D806,259 S * 12/2017 LiCalzi D24/216
D810,956 S * 2/2018 LiCalzi D24/216
D812,241 S * 3/2018 LiCalzi D24/216
D813,410 S * 3/2018 LiCalzi D24/216
D816,238 S * 4/2018 LiCalzi D24/216
D816,239 S * 4/2018 LiCalzi D24/216
D816,240 S * 4/2018 LiCalzi D24/216
D816,241 S * 4/2018 LiCalzi D24/216
D816,242 S * 4/2018 LiCalzi D24/216
D816,859 S * 5/2018 LiCalzi D24/216
D816,860 S * 5/2018 LiCalzi D24/216
D820,995 S * 6/2018 LiCalzi D24/216
D826,423 S * 8/2018 LiCalzi D24/216
D826,424 S * 8/2018 LiCalzi D24/216

* cited by examiner

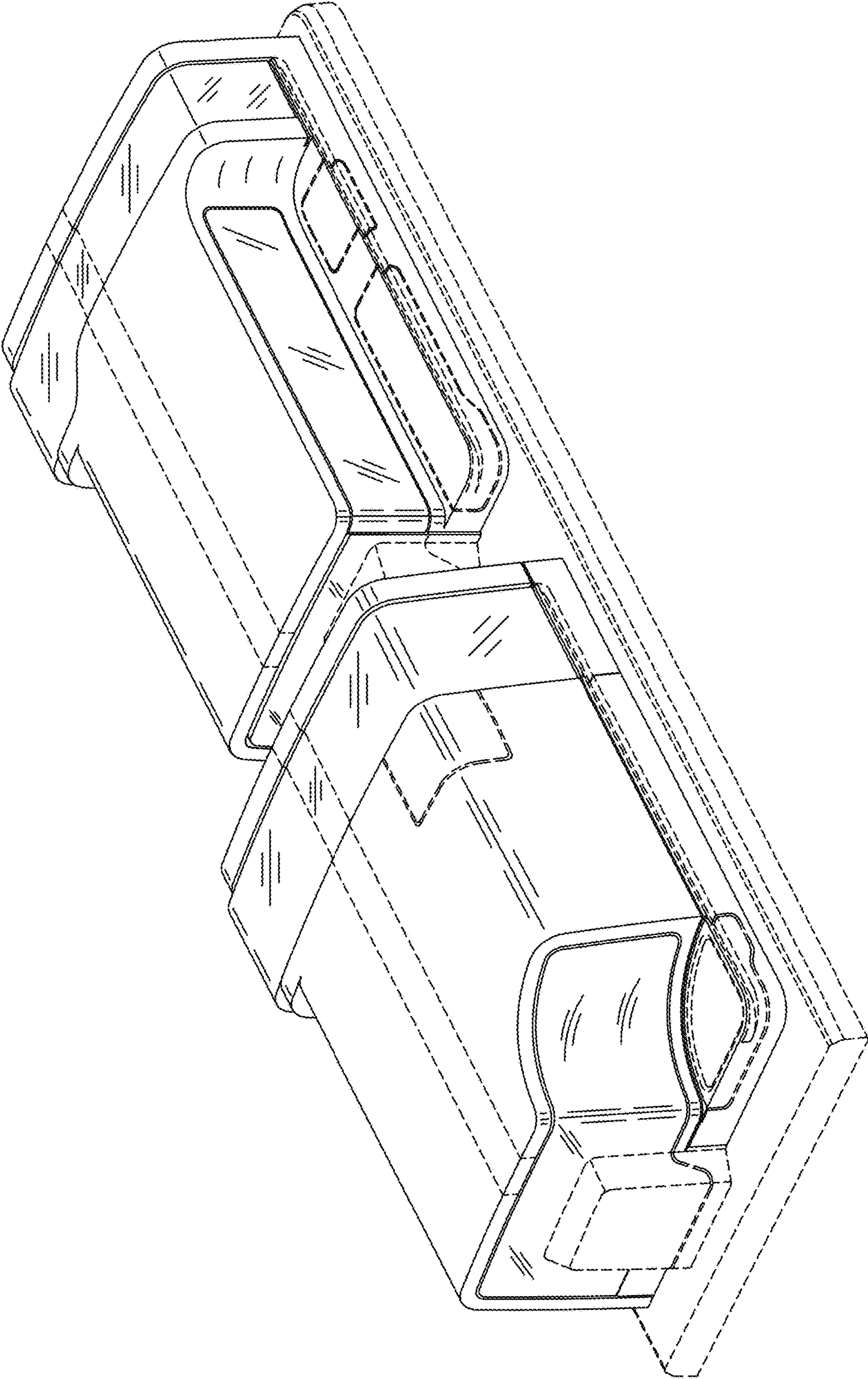


FIG. 1

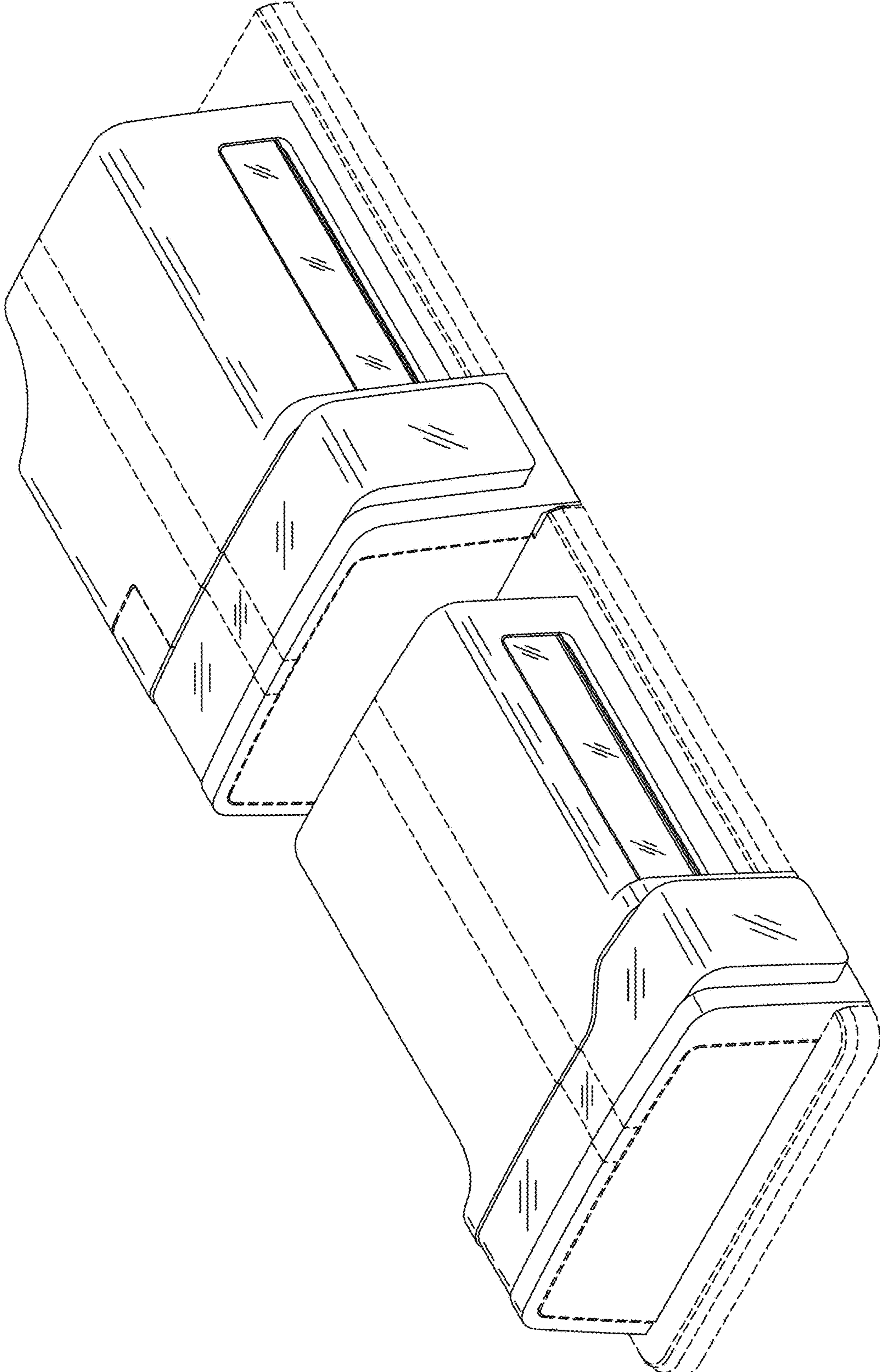


FIG. 2

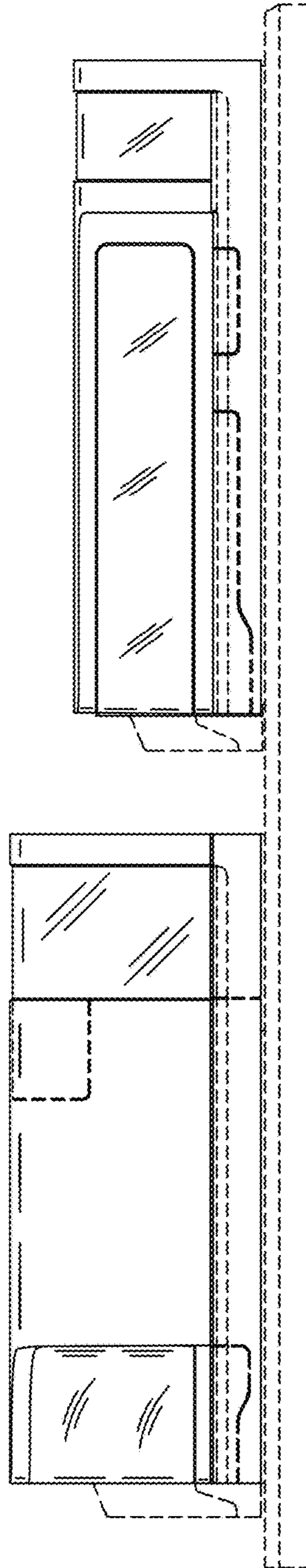


FIG. 3

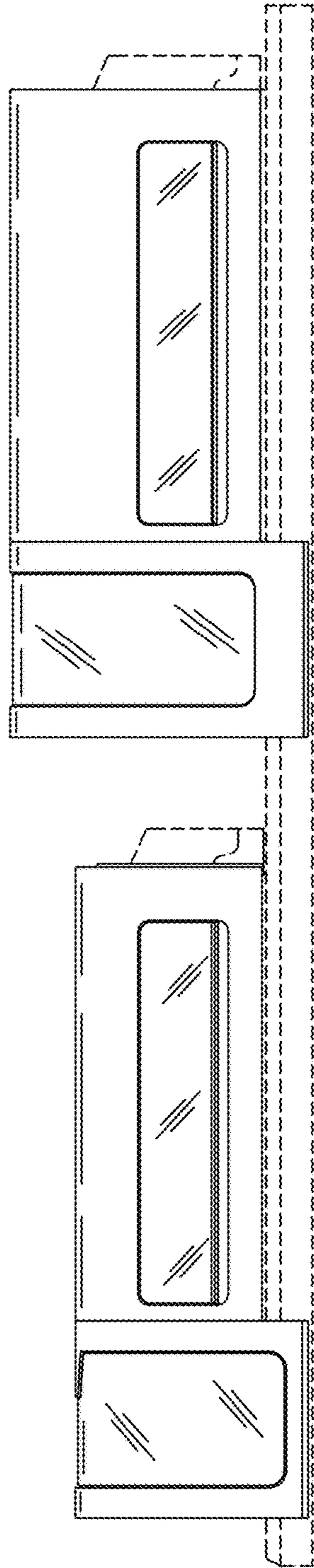


FIG. 4

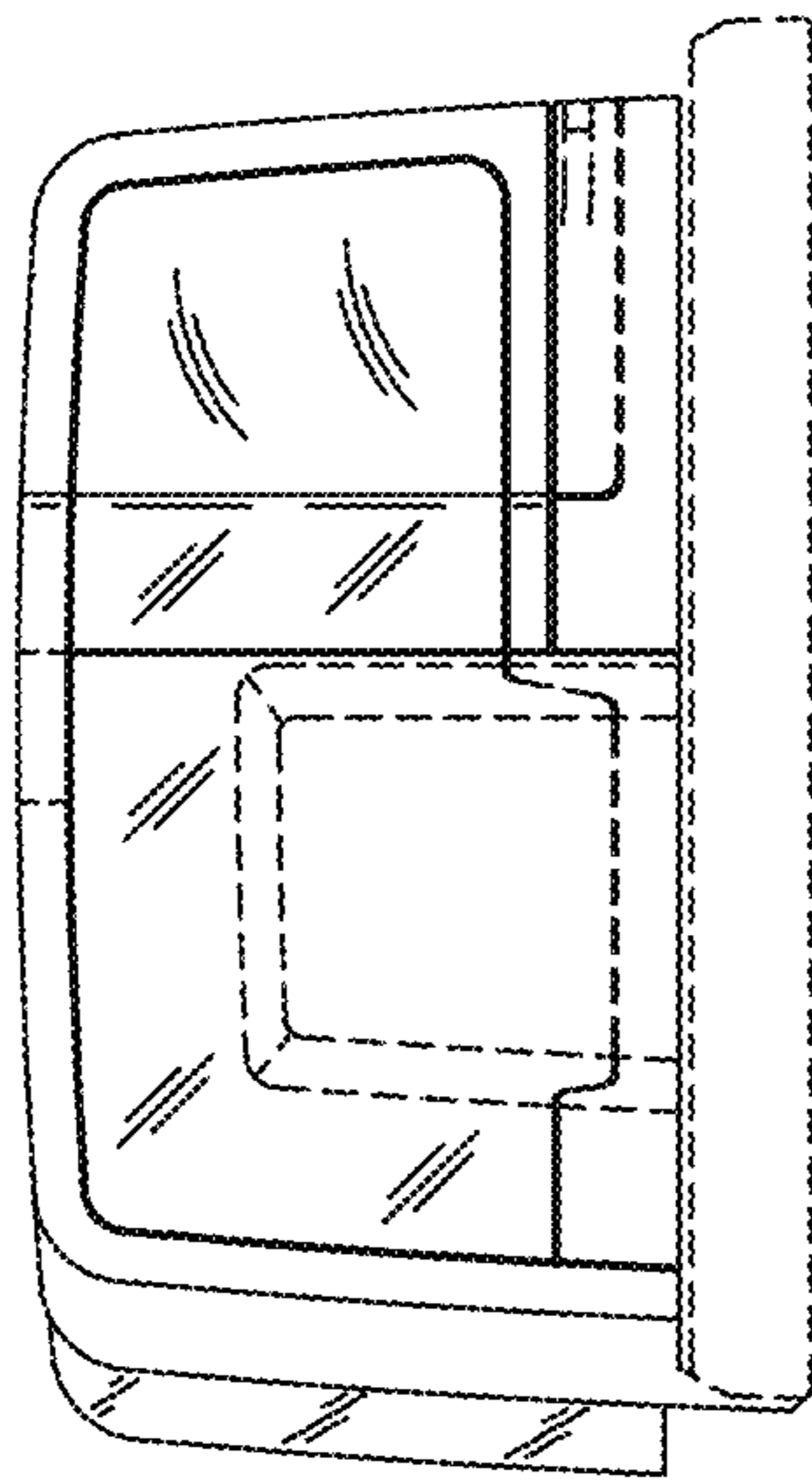


FIG. 5

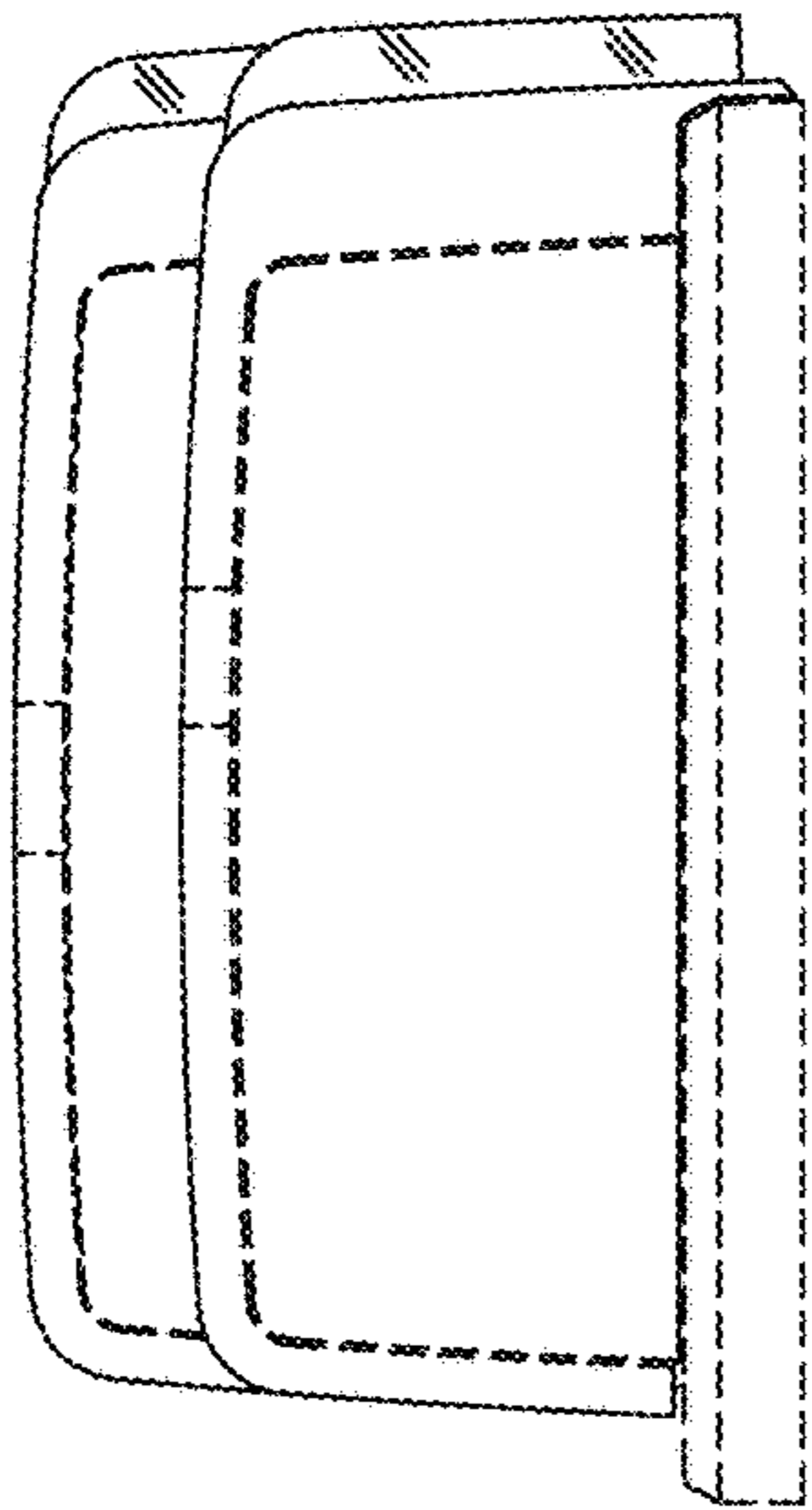


FIG. 6

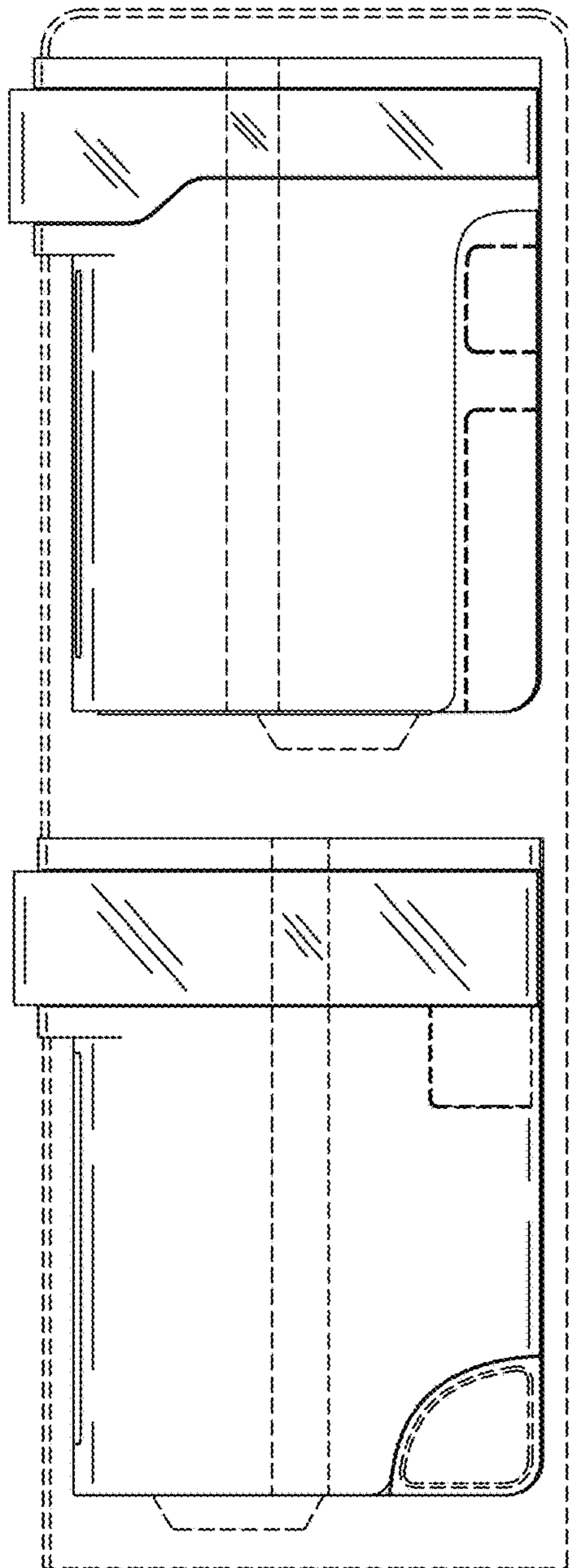


FIG. 7

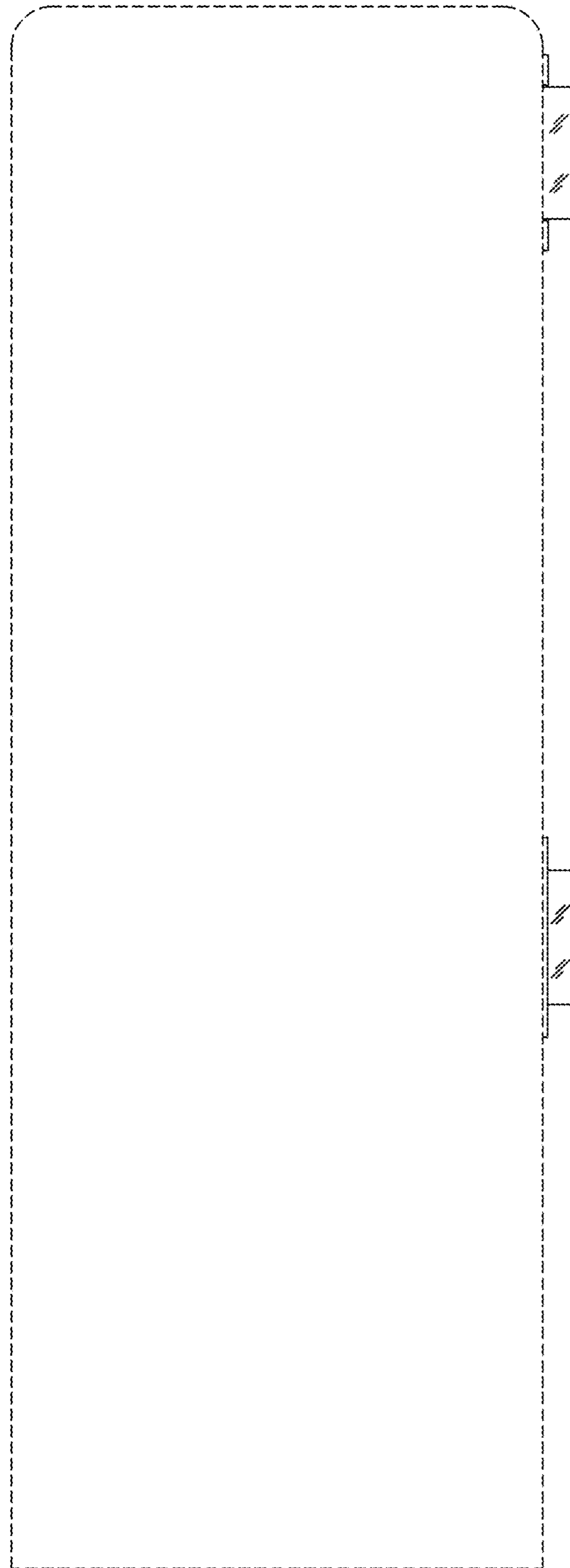


FIG. 8

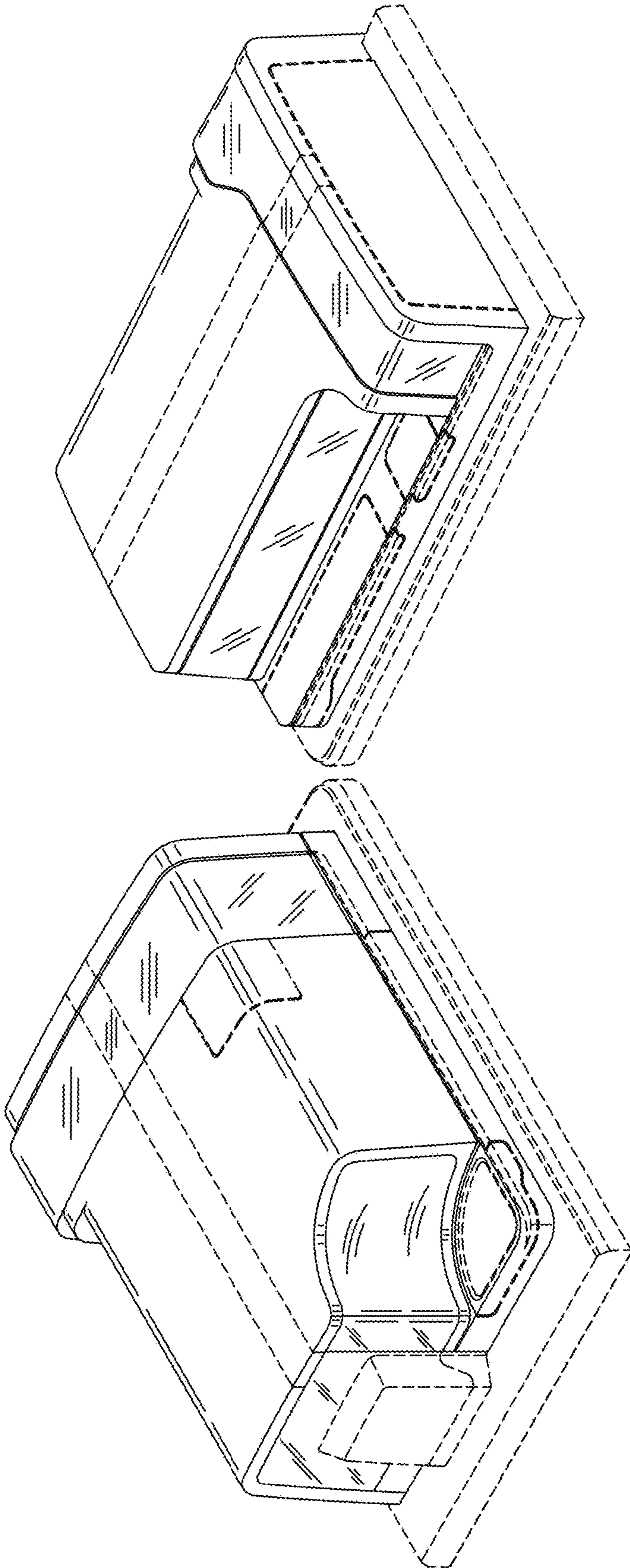


FIG. 9

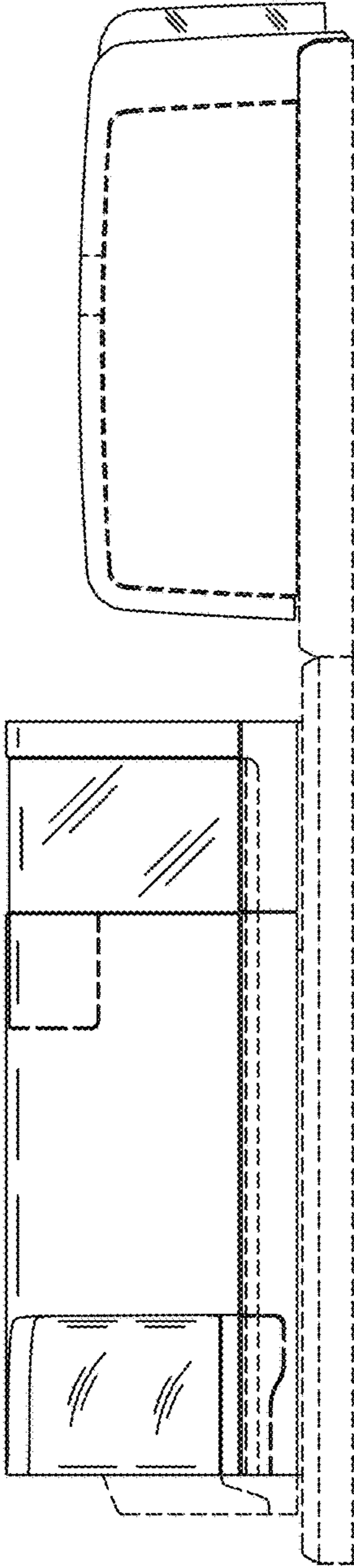


FIG. 10

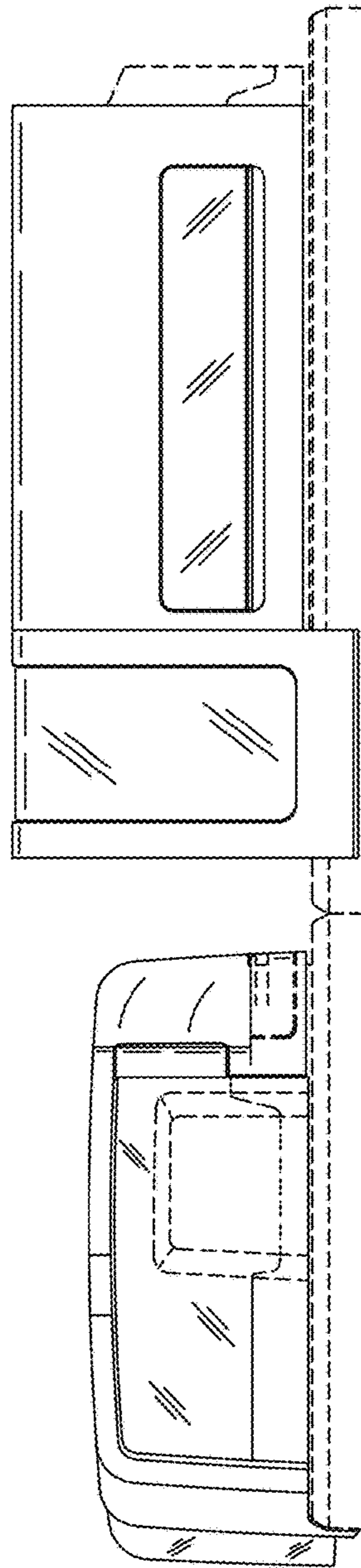


FIG. 11

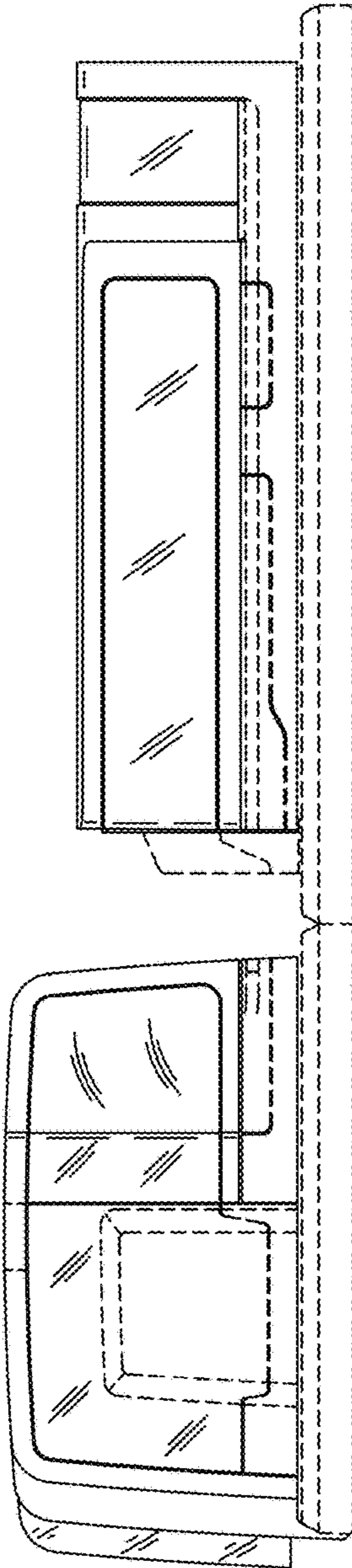


FIG. 12

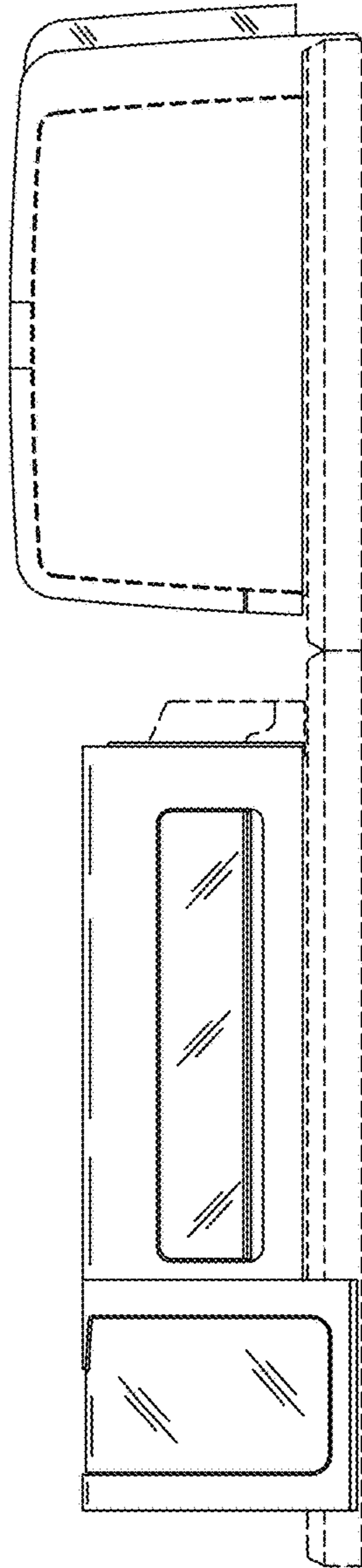


FIG. 13

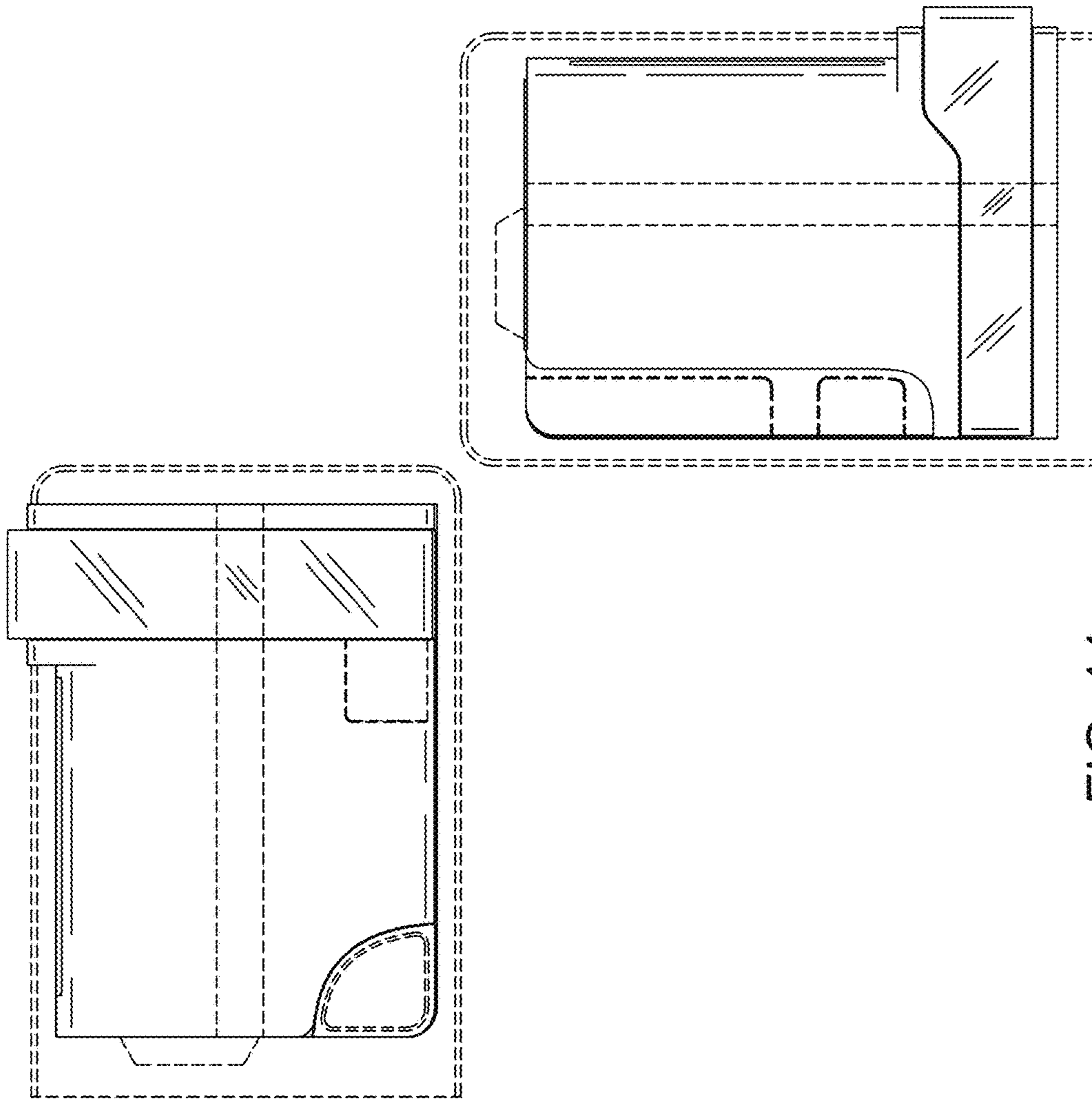


FIG. 14

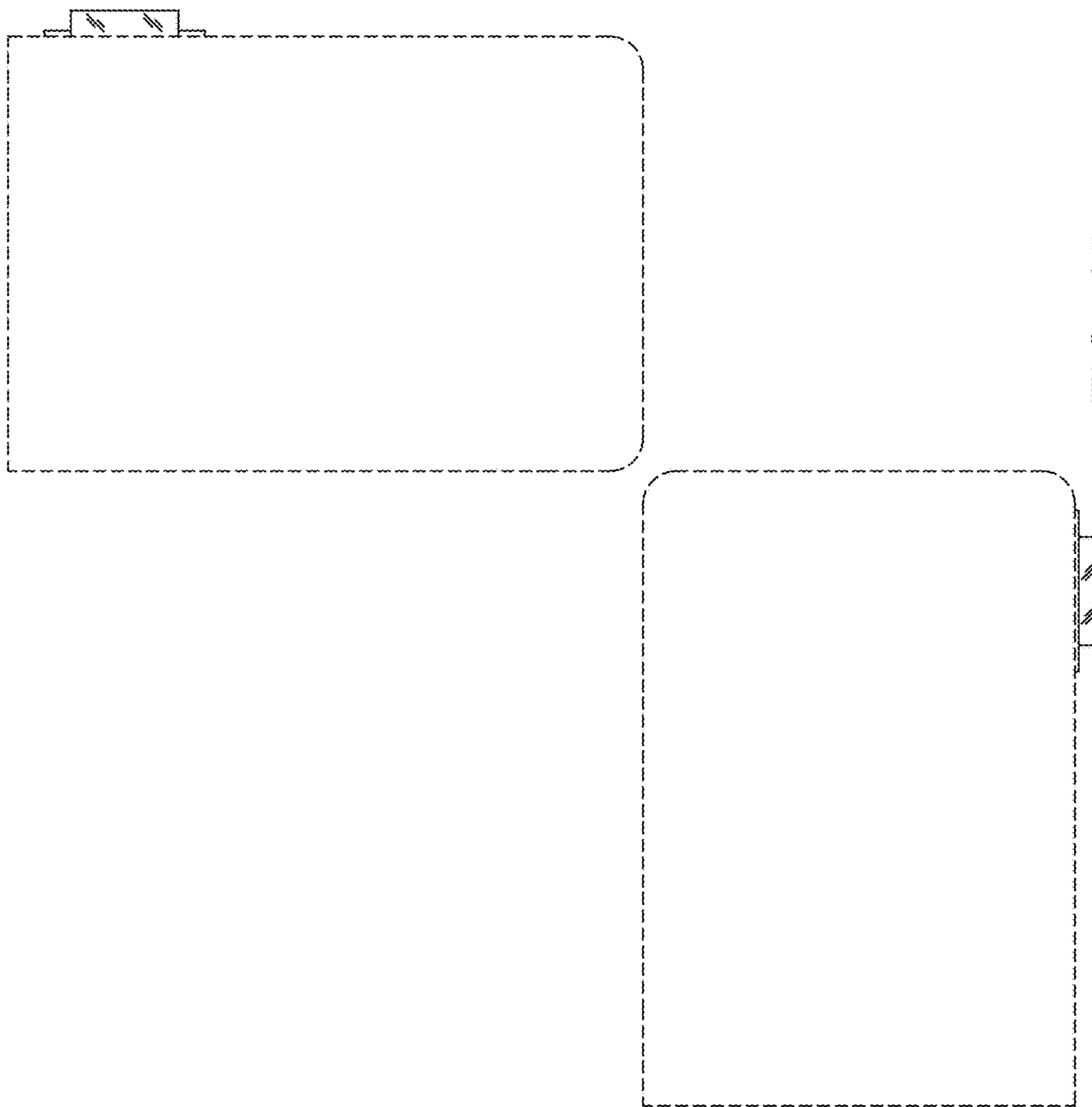


FIG. 15