



US00D855194S

(12) **United States Design Patent** (10) **Patent No.:** **US D855,194 S**
Kymm et al. (45) **Date of Patent:** **** Jul. 30, 2019**

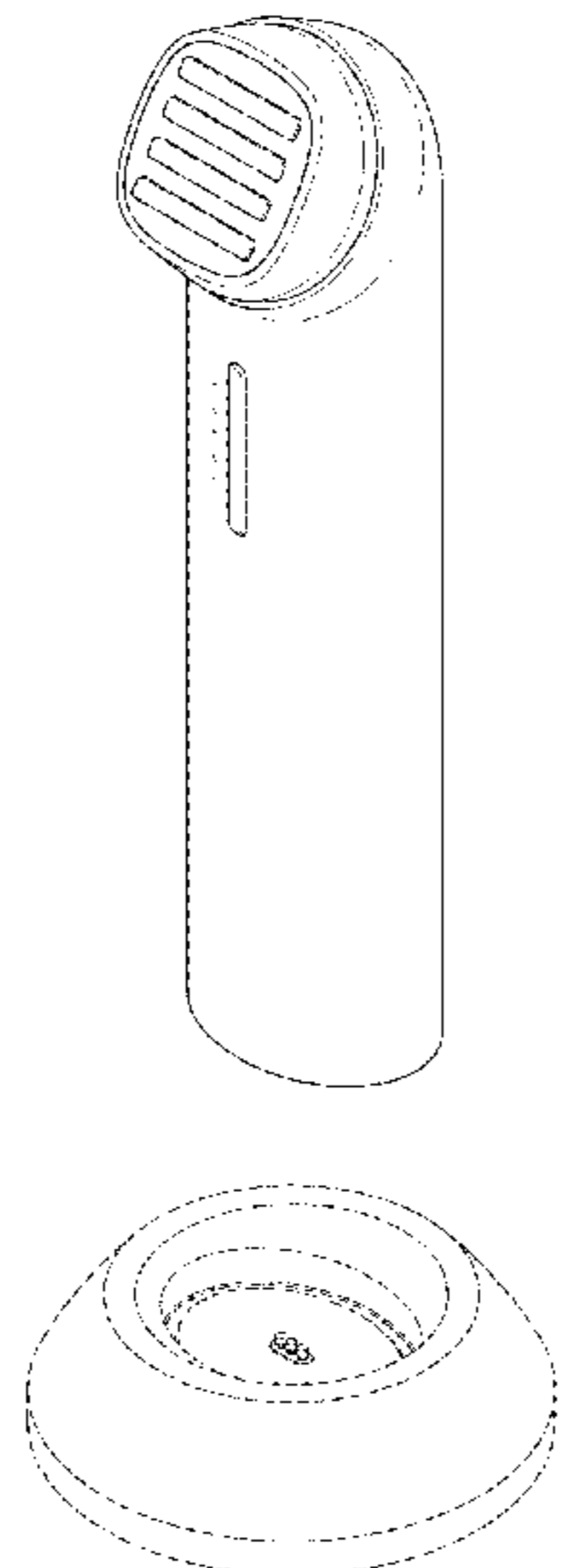
(54) **SKIN TREATMENT APPARATUS**
(71) Applicant: **LG ELECTRONICS INC.**, Seoul (KR)
(72) Inventors: **Sangwook Kymm**, Seoul (KR); **Yeonjin Kim**, Seoul (KR); **Seokkyu Kang**, Seoul (KR); **Yeojeong Choi**, Seoul (KR); **Gayeong Lee**, Seoul (KR)
(73) Assignee: **LG ELECTRONICS INC.**, Seoul (KR)
(**) Term: **15 Years**
(21) Appl. No.: **35/504,287**
(22) Filed: **Jul. 7, 2017**
(80) **Hague Agreement Data**
Int. Filing Date: **Jul. 7, 2017**
Int. Reg. No.: **DM/097485**
Int. Reg. Date: **Jul. 7, 2017**
Int. Reg. Pub. Date: **Jan. 12, 2018**
(30) **Foreign Application Priority Data**
Jan. 10, 2017 (KR) 30-2017-0001523
(51) **LOC (11) Cl.** **28-03**
(52) **U.S. Cl.**
USPC **D24/209**
(58) **Field of Classification Search**
USPC D24/133, 200, 209, 112, 113, 137, 214, D24/215, 187
CPC A61N 2005/0659
See application file for complete search history.

(56) **References Cited**
U.S. PATENT DOCUMENTS
D355,259 S * 2/1995 Lie D24/215
D366,703 S * 1/1996 Huen D13/108
D646,396 S * 10/2011 Seki D24/107
D759,831 S * 6/2016 Levi D24/200
D773,676 S * 12/2016 Gufler D24/200
D829,921 S * 10/2018 Xiong D24/214
* cited by examiner
Primary Examiner — Eliza Z Bennett-Hattan
(74) *Attorney, Agent, or Firm* — Birch, Stewart, Kolasch & Birch, LLP

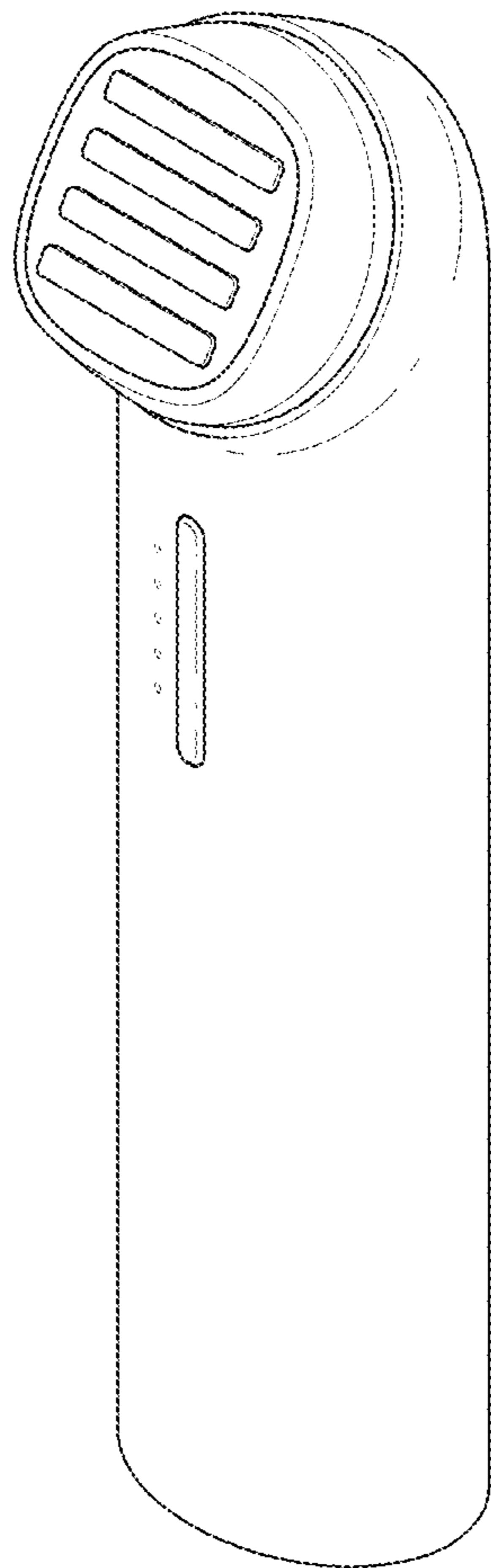
(57) **CLAIM**
The ornamental design for a skin treatment apparatus, as shown and described.

DESCRIPTION
1. Skin treatment apparatus
1.1 : Perspective
1.2 : Front
1.3 : Back
1.4 : Left
1.5 : Right
1.6 : Top
1.7 : Bottom
1.8 : Reference
The broken line showing in figure 1.7 and the broken line showing of the five circular elements in figures 1.1, 1.2, 1.4 and 1.8 depict portions of the skin treatment apparatus that form no part of the claimed design. The broken line showing of a stand in figure 1.8 depicts environment that forms no part of the claimed design.
The bottom of the claim in Fig. 1.7 inside the solid line forms no part of the claimed design.

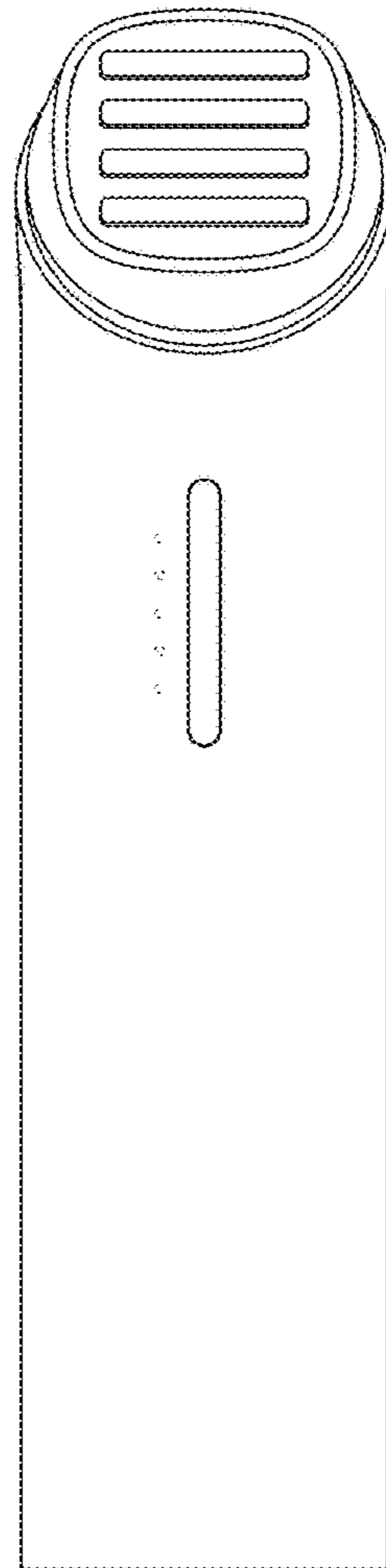
1 Claim, 7 Drawing Sheets



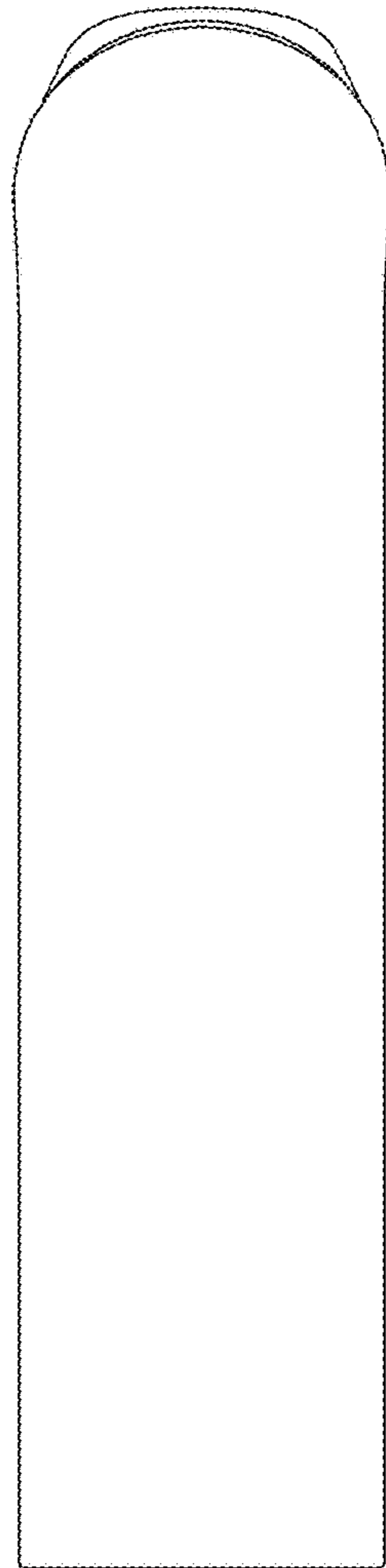
1.1



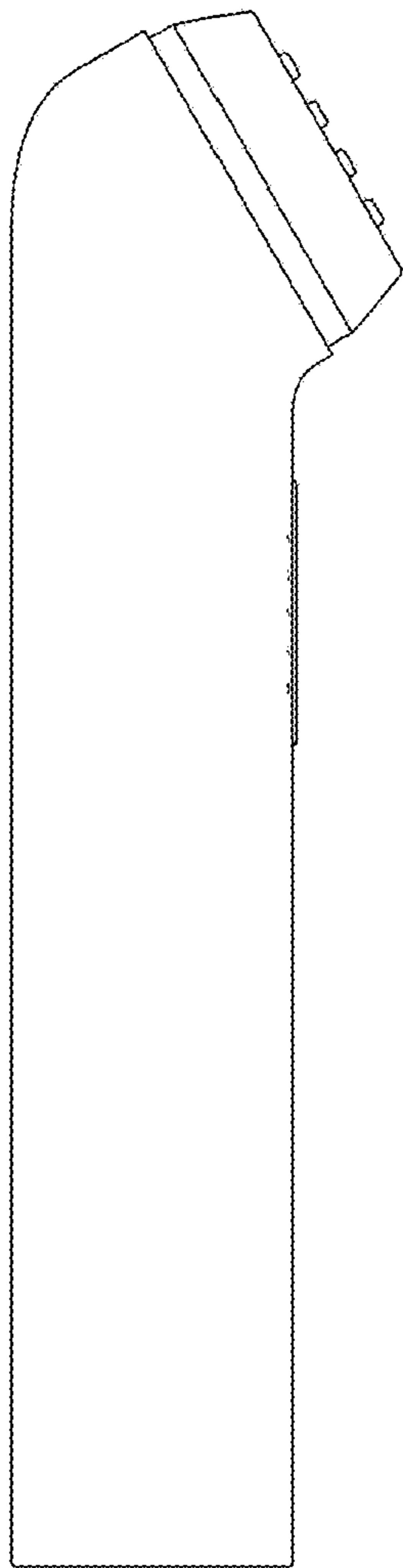
1.2



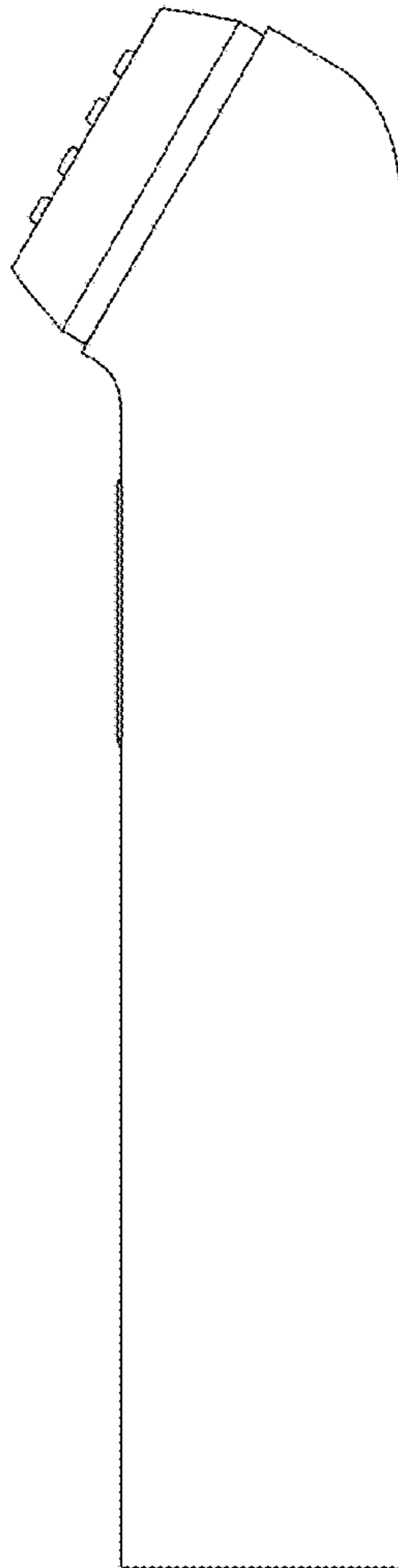
1.3



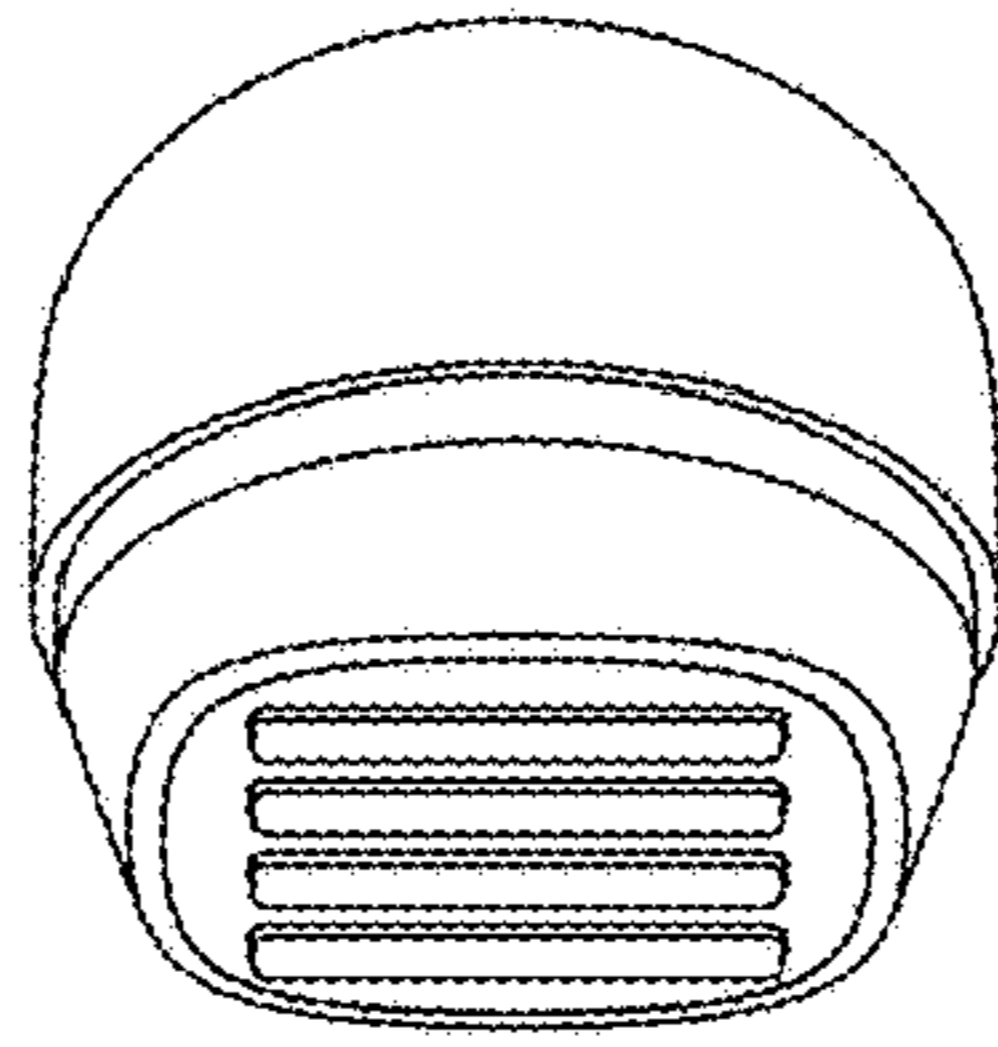
1.4



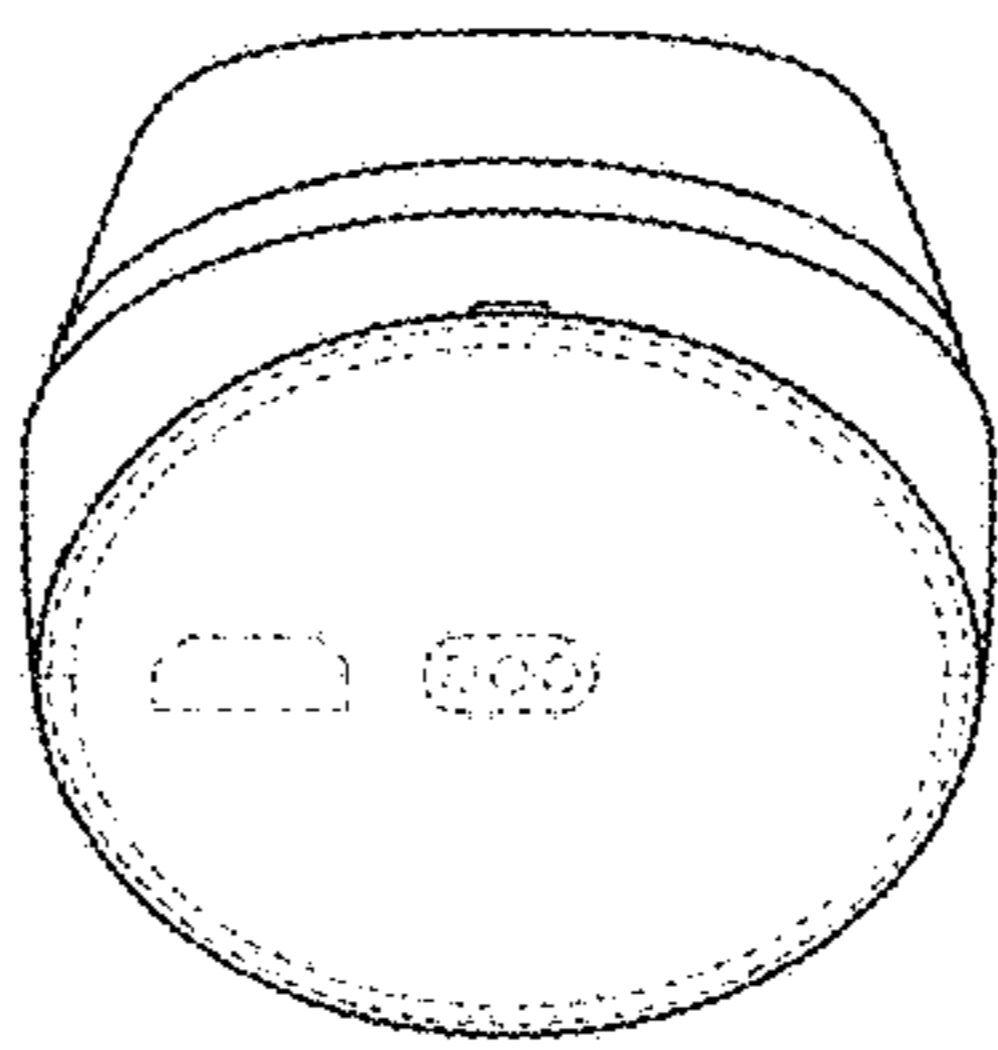
1.5



1.6



1.7



1.8

