



US00D855193S

(12) **United States Design Patent**
Levi

(10) **Patent No.:** **US D855,193 S**
(45) **Date of Patent:** **** Jul. 30, 2019**

(54) **WIRELESS EMS, TENS AND NMES DEVICE**

Primary Examiner — Wan Laymon

(71) Applicant: **Guy Levi**, Fort Lauderdale, FL (US)

(72) Inventor: **Guy Levi**, Fort Lauderdale, FL (US)

(**) Term: **15 Years**

(21) Appl. No.: **29/681,231**

(22) Filed: **Feb. 22, 2019**

(51) **LOC (11) Cl.** **28-03**

(52) **U.S. Cl.**
USPC **D24/200**

(58) **Field of Classification Search**

USPC D24/200, 214–215, 211, 186–187;
D14/216, 218, 203.6

CPC .. A61N 1/0404; A61N 1/0412; A61N 1/0452;
A61N 1/0456; A61N 1/046; A61N
1/36003; A61N 1/36021; A61N 1/36057;
A61N 1/37211; A61H 39/002; A61H
39/007

See application file for complete search history.

(56) **References Cited**

U.S. PATENT DOCUMENTS

D303,430 S	9/1989	Studer	
6,445,955 B1	9/2002	Michelson	
8,942,816 B2 *	1/2015	Greiner	A61H 39/002 607/59
D759,257 S	6/2016	Chen	
D775,233 S *	12/2016	Beck	D14/203.6
D796,355 S *	9/2017	Cho	D24/186
D802,779 S	11/2017	Inoue	
D803,410 S *	11/2017	Im	D24/187
D810,952 S *	2/2018	Hsu	D24/200

FOREIGN PATENT DOCUMENTS

WO	DM070592	2/2009
WO	DM095252	8/2017
WO	2017163131	9/2017
WO	2017195938	11/2017
WO	DM096098	11/2017
WO	DM097410	2/2018

* cited by examiner

(57) **CLAIM**

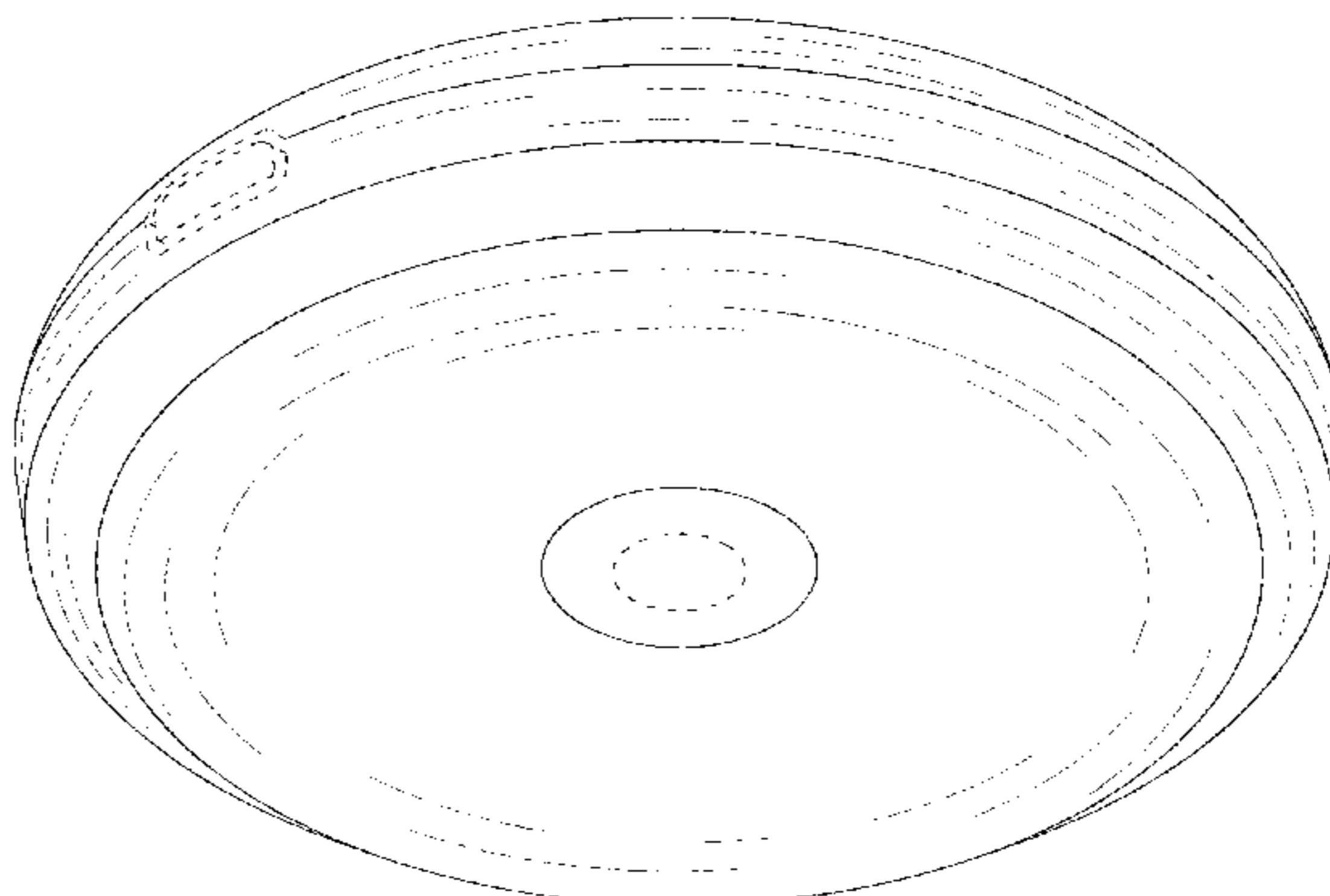
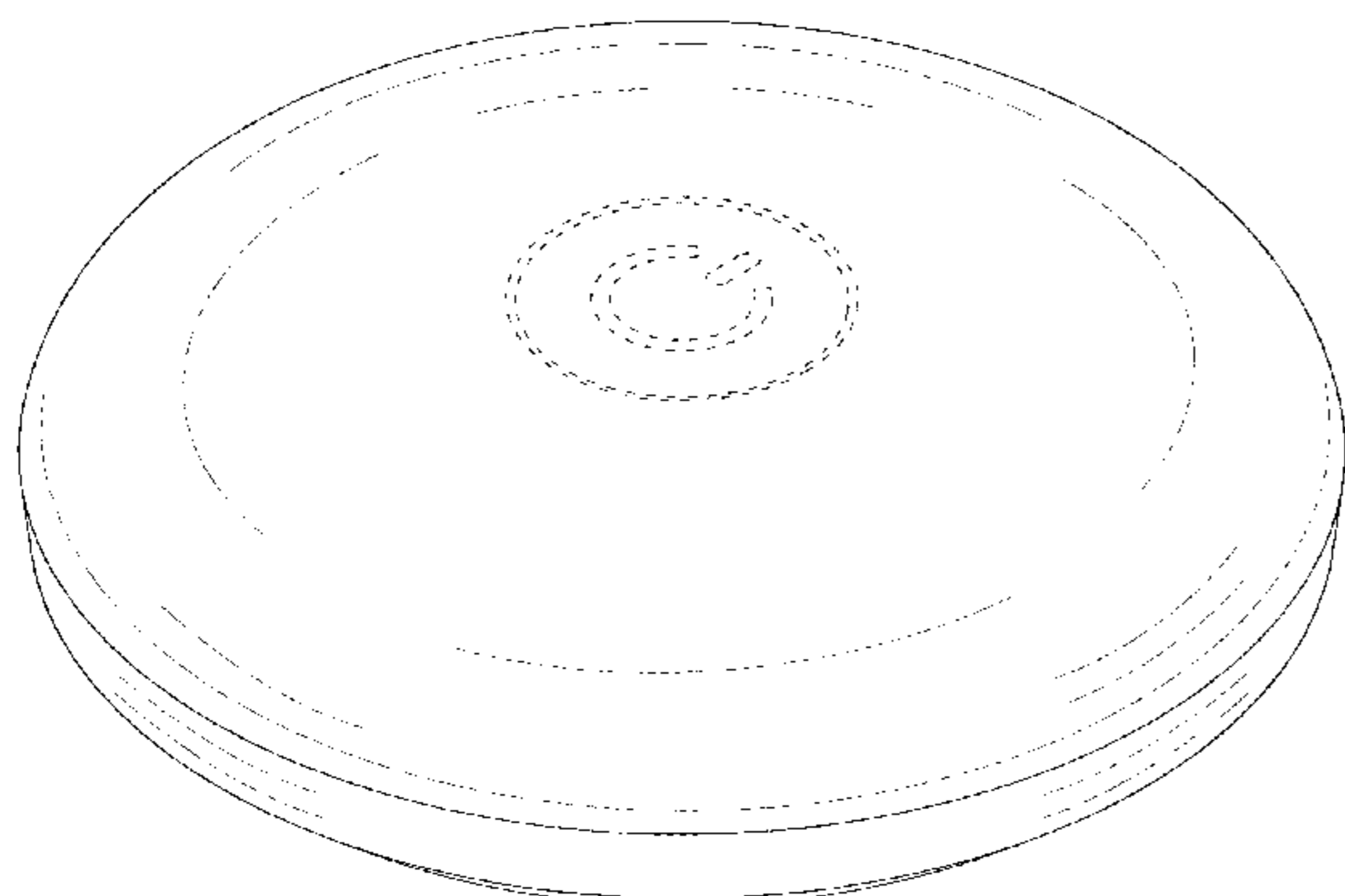
The ornamental design for a wireless EMS, TENS and NMES device, as shown and described.

DESCRIPTION

FIG. 1 is a top perspective view of a wireless EMS, TENS and NMES device showing my new design; FIG. 2 is a bottom perspective view thereof; FIG. 3 is a front elevated view thereof; FIG. 4 is a rear elevated view thereof; FIG. 5 is a top plan view thereof; FIG. 6 is a bottom plan view thereof; FIG. 7 is a left elevated view thereof; FIG. 8 is a right view thereof; FIG. 9 is a top elevated view thereof, showing the wireless EMS, TENS and NMES device attached to a first embodiment of a dual-electrode accessory; FIG. 10 is a top elevated view thereof, showing the wireless EMS, TENS and NMES device attached to a second embodiment of a dual-electrode accessory; FIG. 11 is a top elevated view thereof; FIG. 12 is a top elevated view thereof, showing the wireless EMS, TENS and NMES device attached to an embodiment of a six-electrode accessory; and, FIG. 13 is a top perspective view thereof, showing the wireless EMS, TENS and NMES device attached to an embodiment of a facial electrode accessory.

The broken lines showing of a power button in FIG. 1, FIG. 3-5, and FIG. 7-13, the broken lines showing of a FIG. 2, FIG. 4-12, the broken lines showing of a hole in FIG. 2 and FIG. 6, and the broken lines showing of electrode accessories in FIG. 9-13 are included for the purpose of showing environmental structure and form no part of the claimed design.

1 Claim, 13 Drawing Sheets



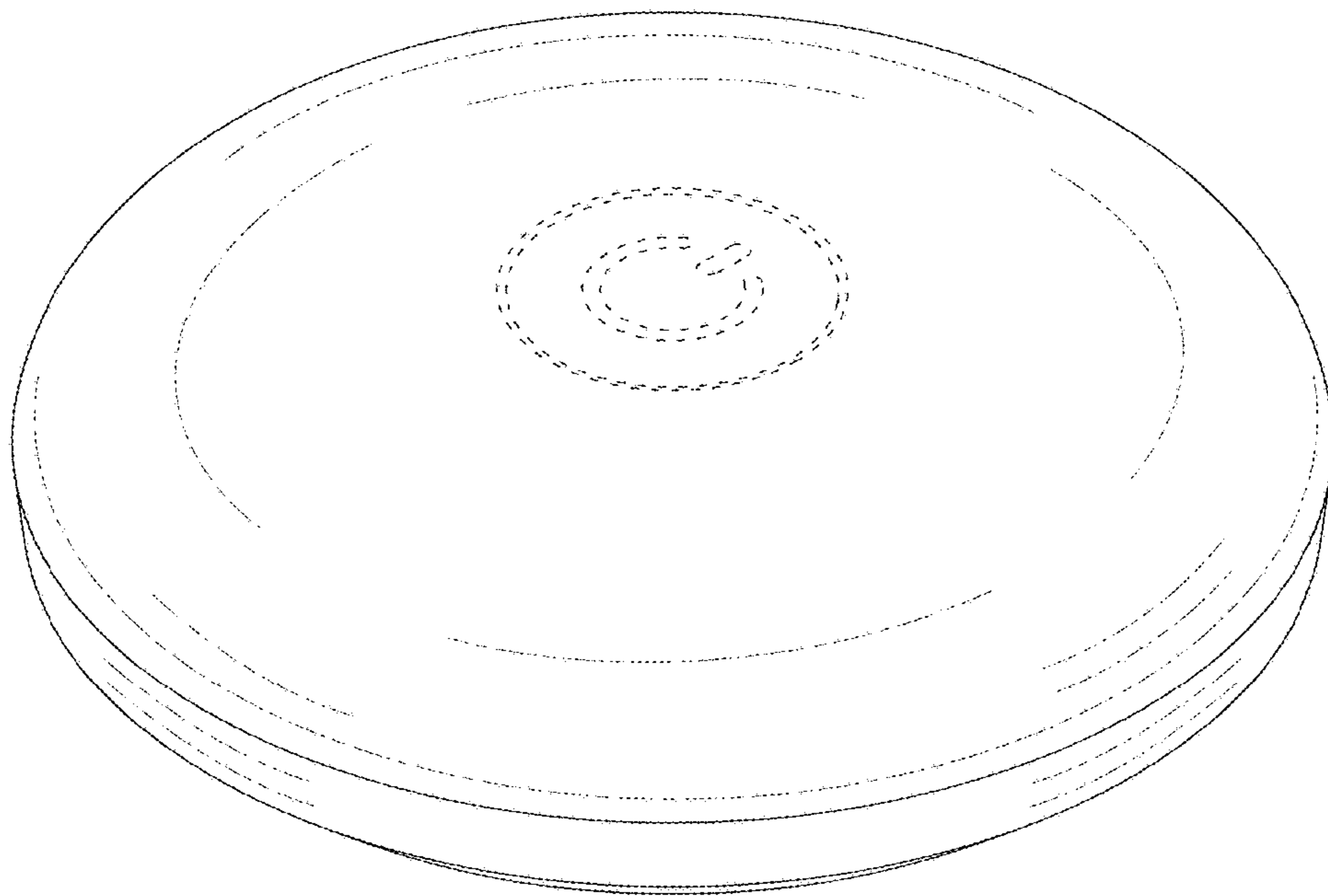


FIG. 1

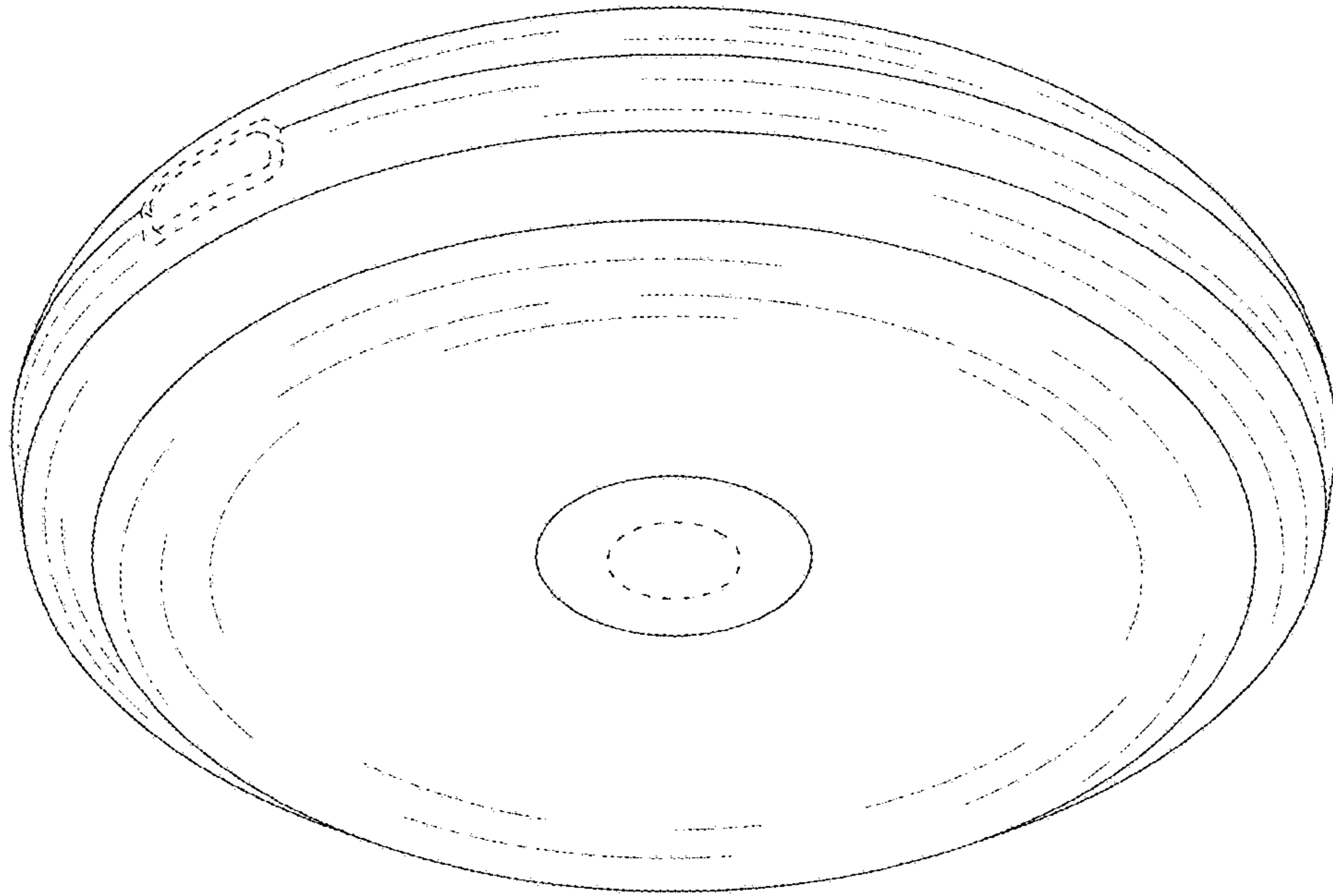


FIG. 2

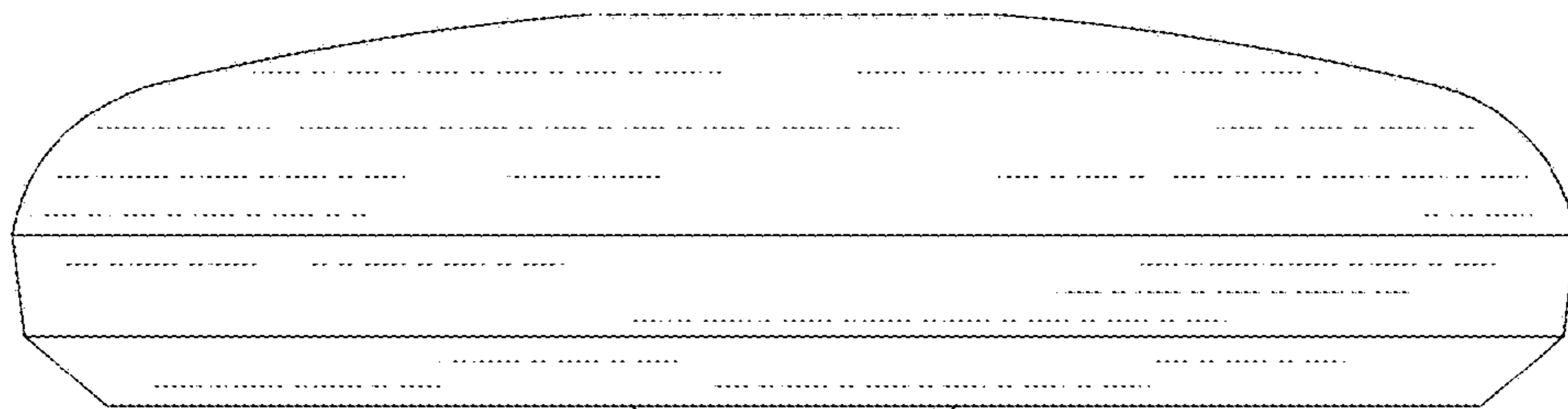


FIG. 3

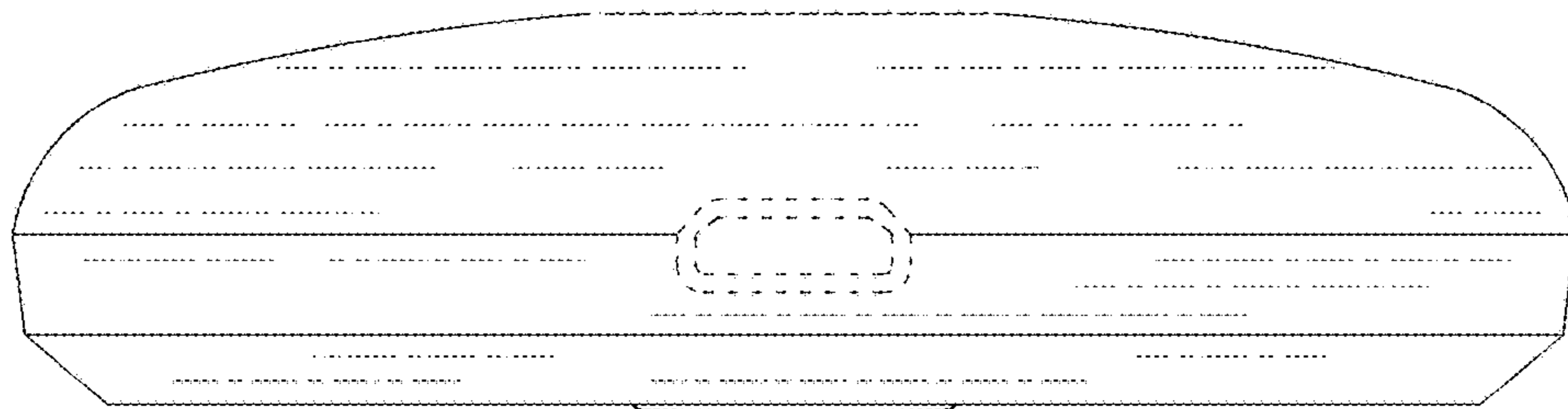


FIG. 4

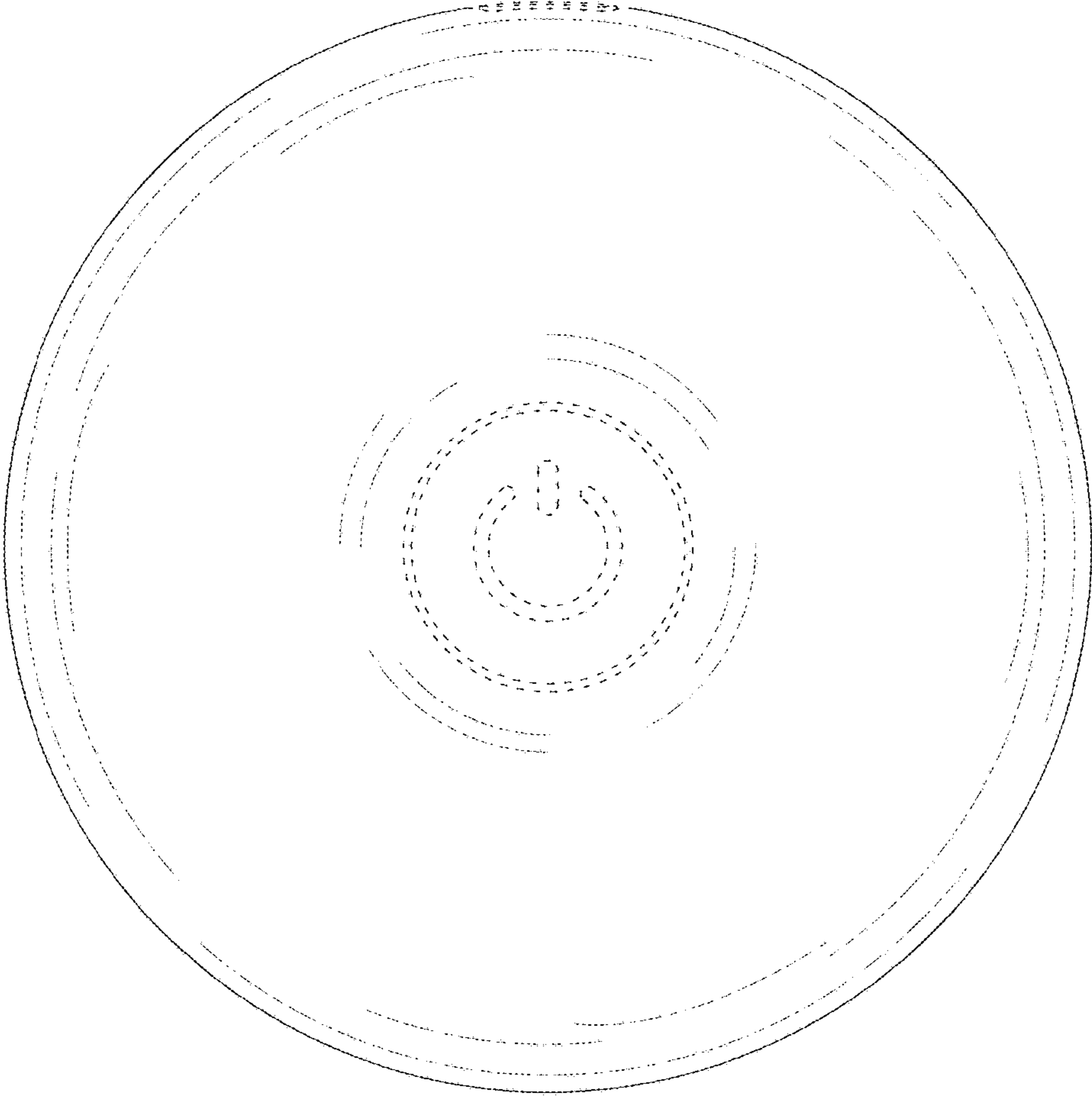


FIG. 5

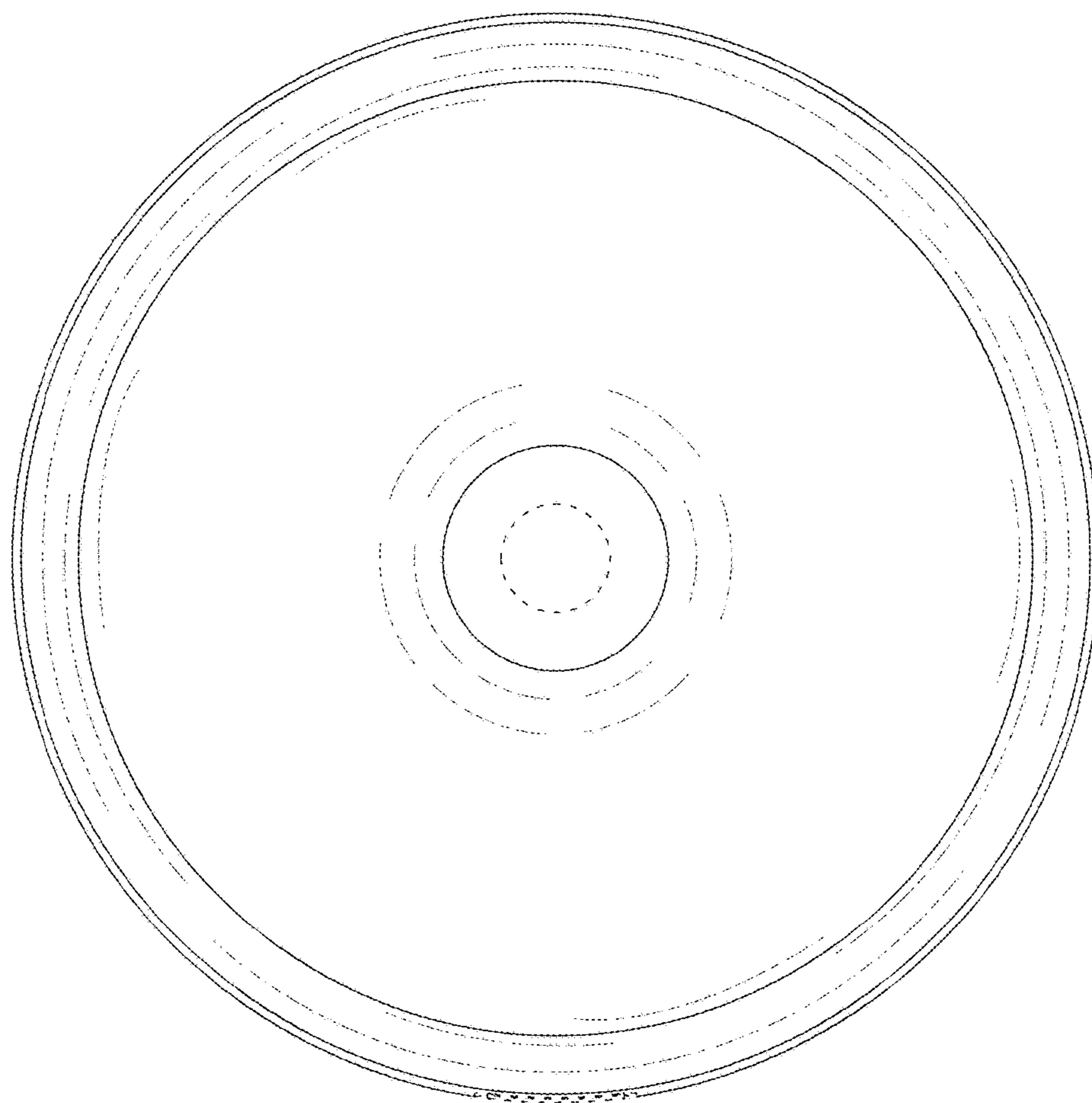


FIG. 6

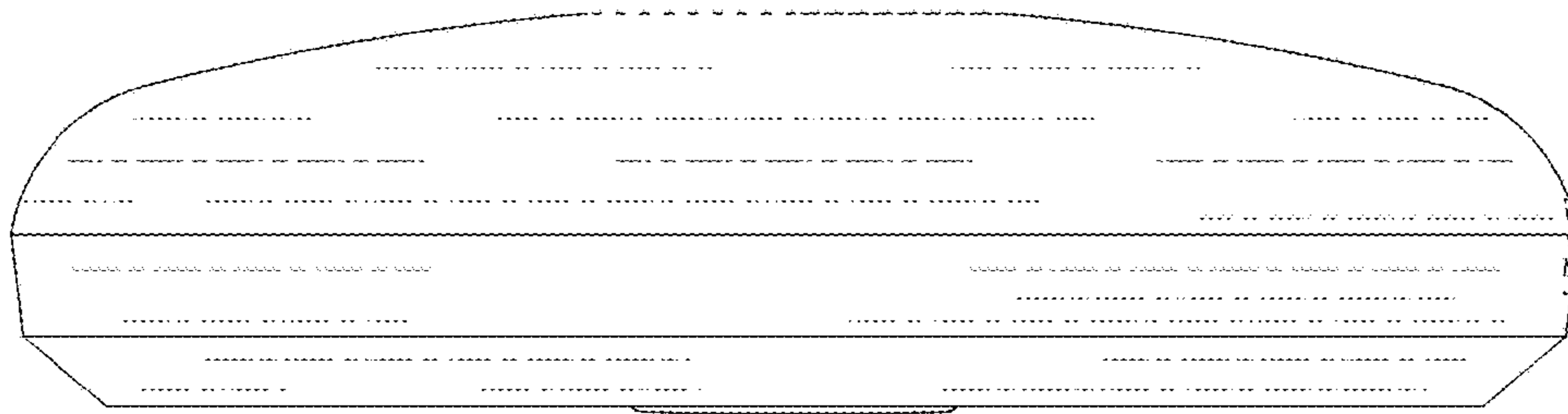


FIG. 7

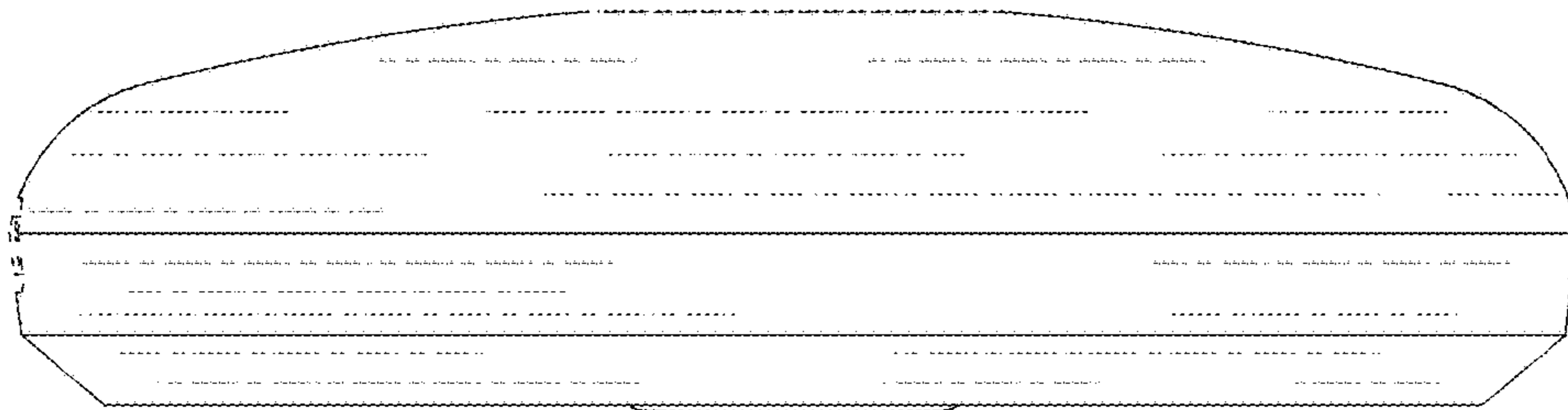


FIG. 8

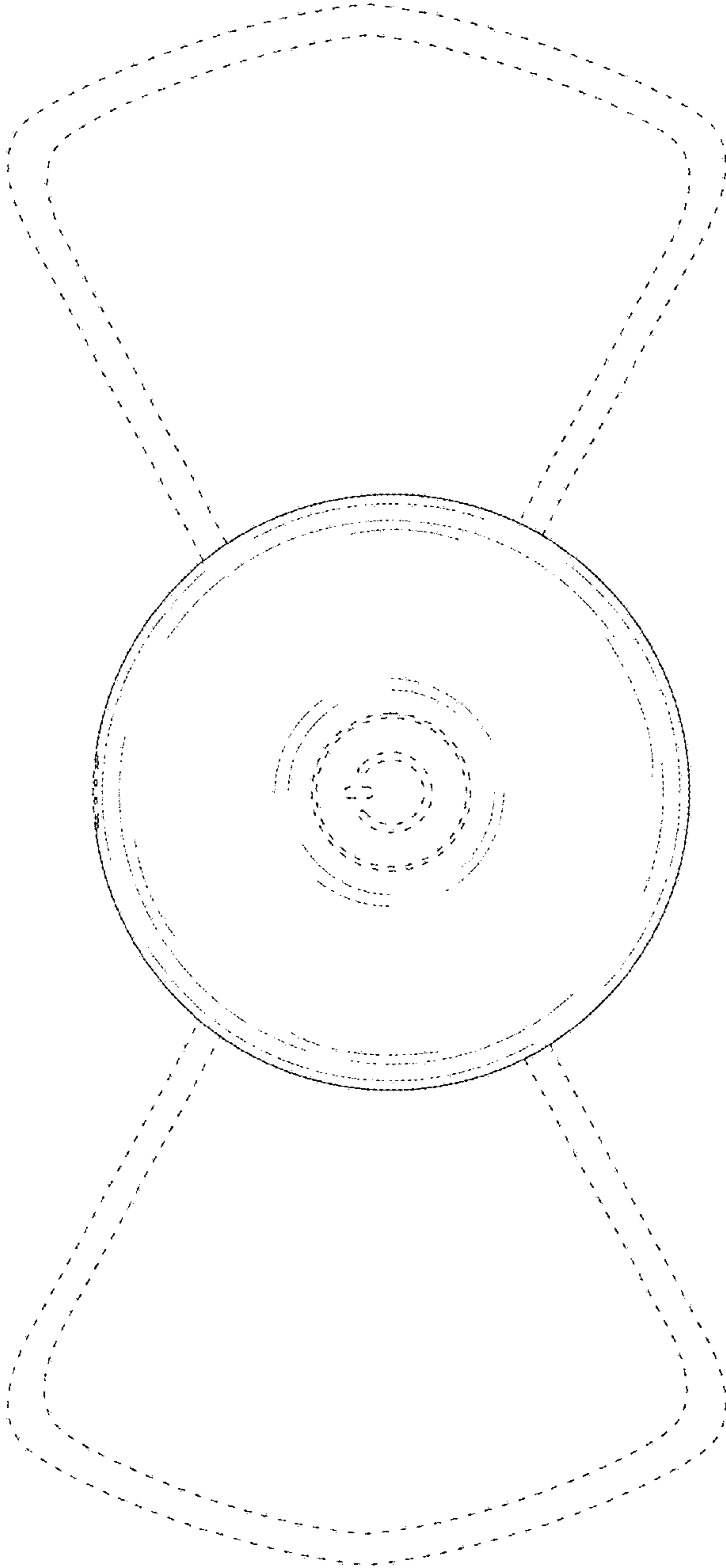


FIG. 9

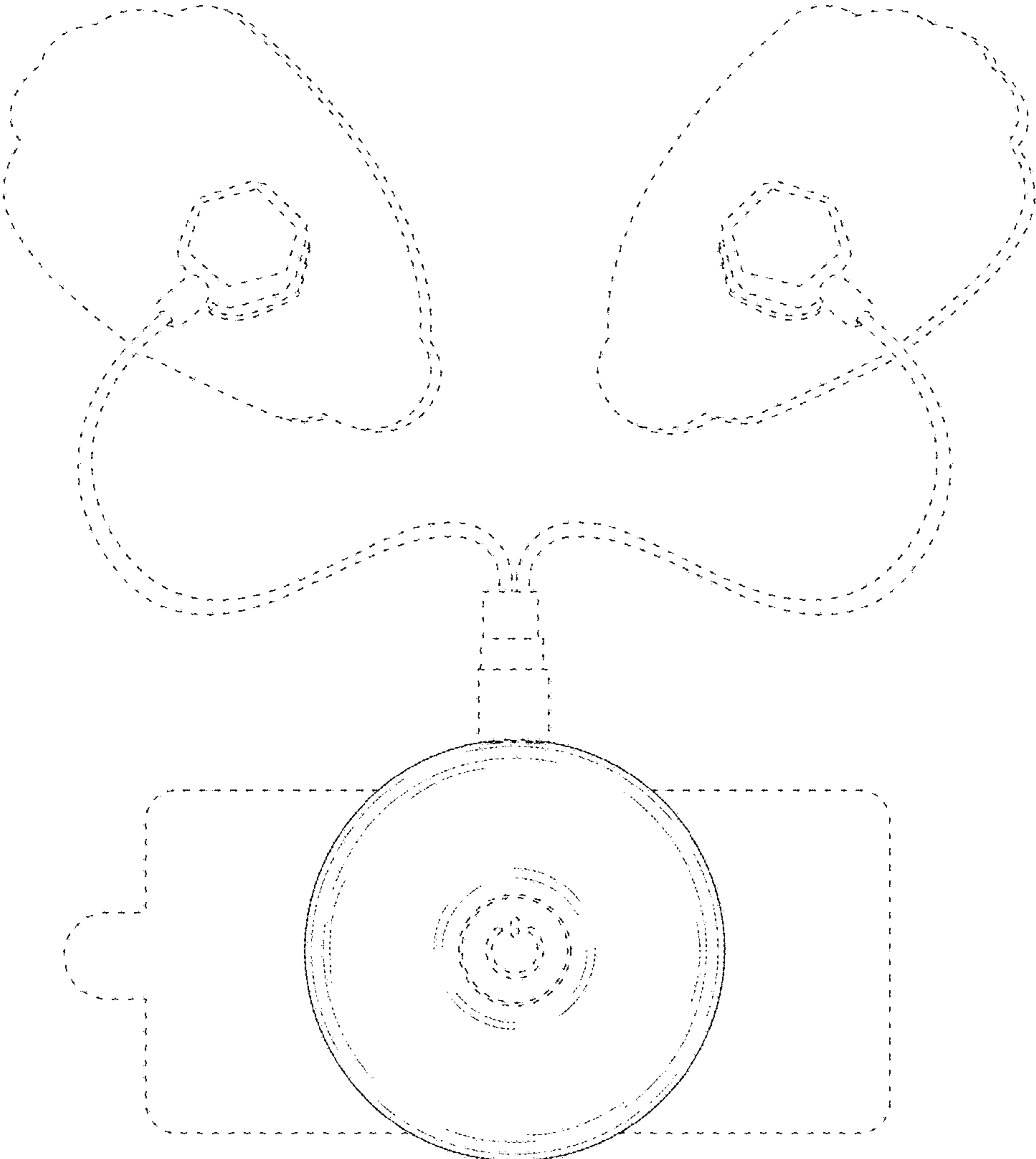


FIG. 10

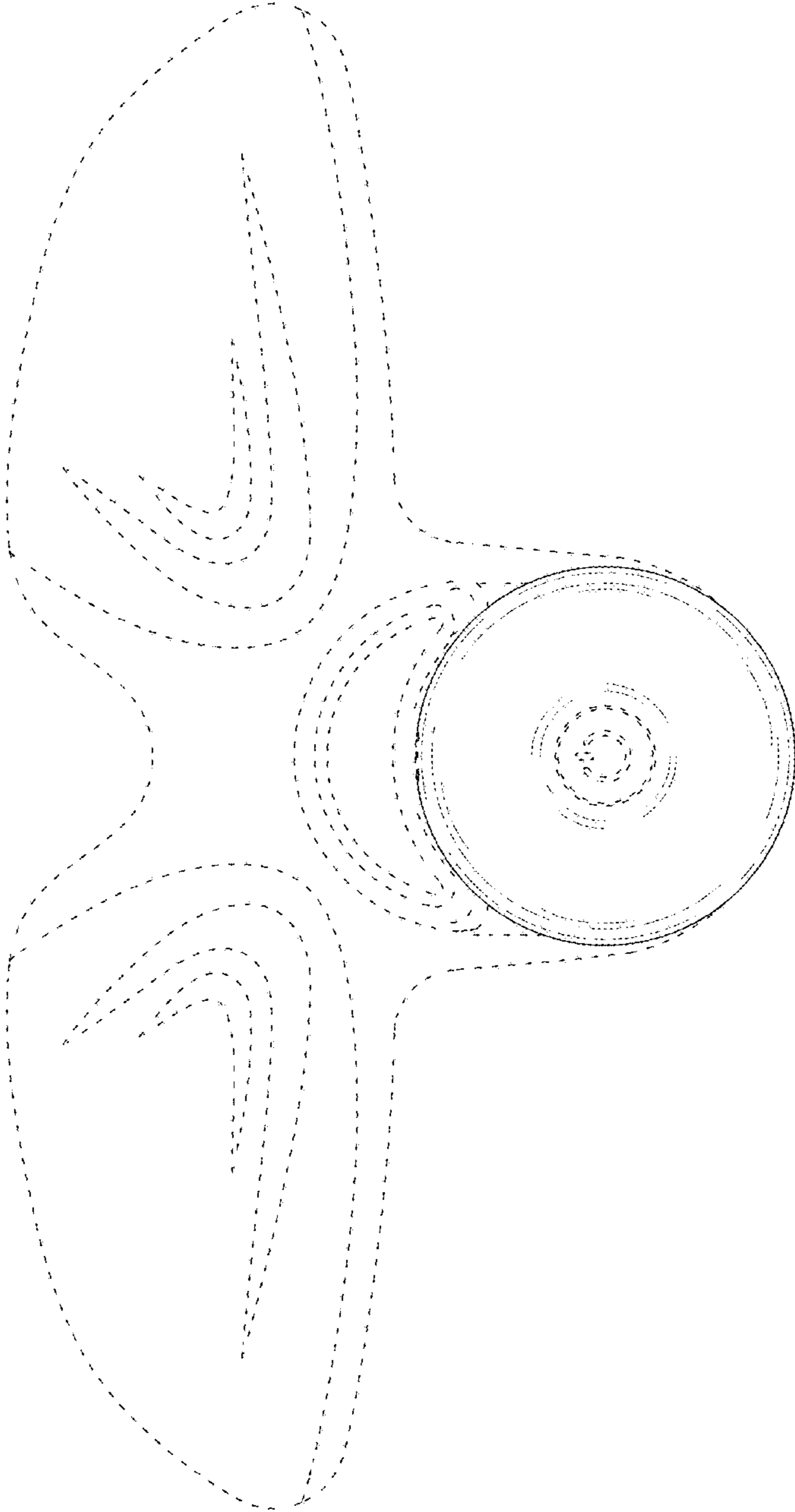


FIG. 11

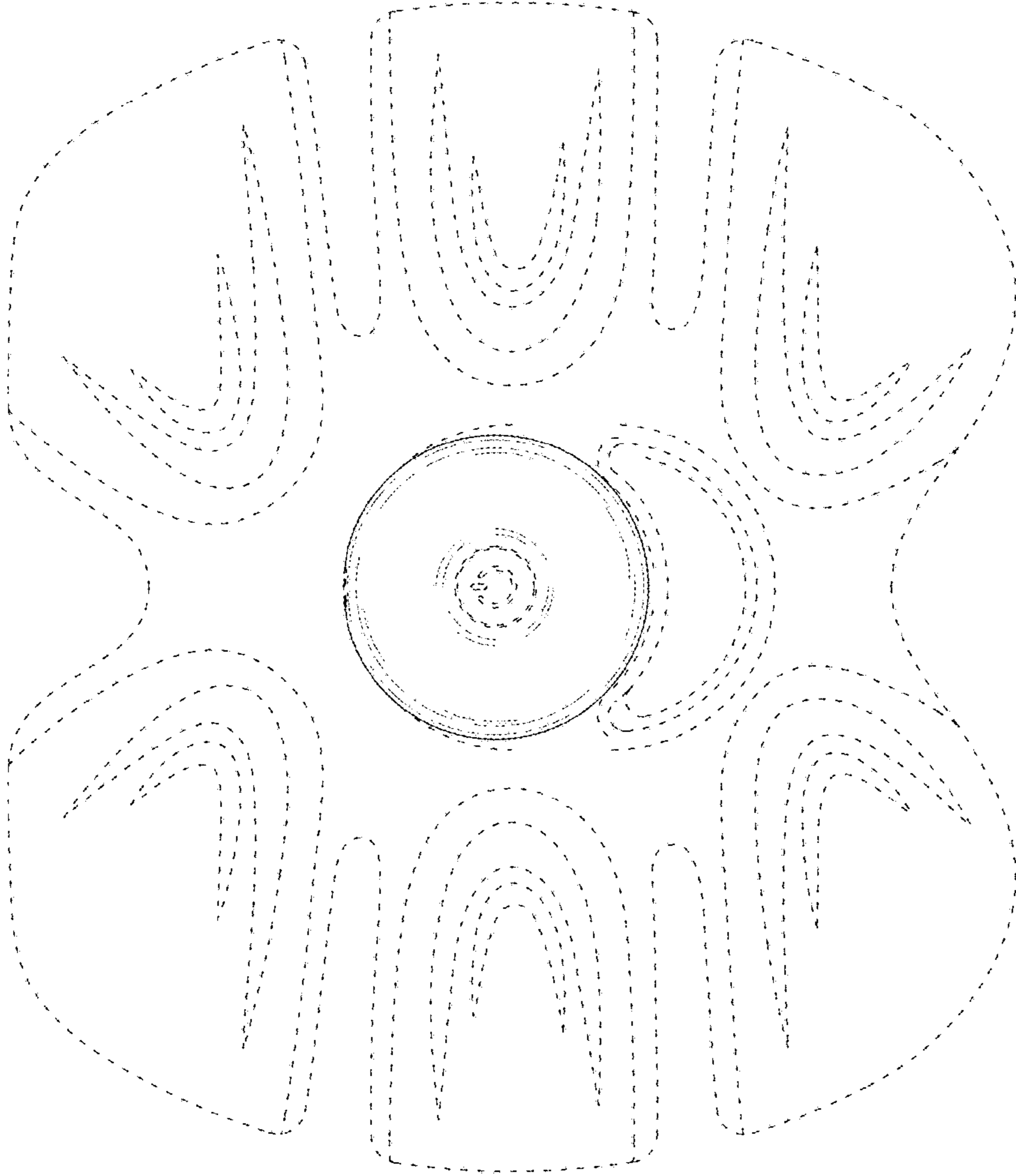


FIG. 12

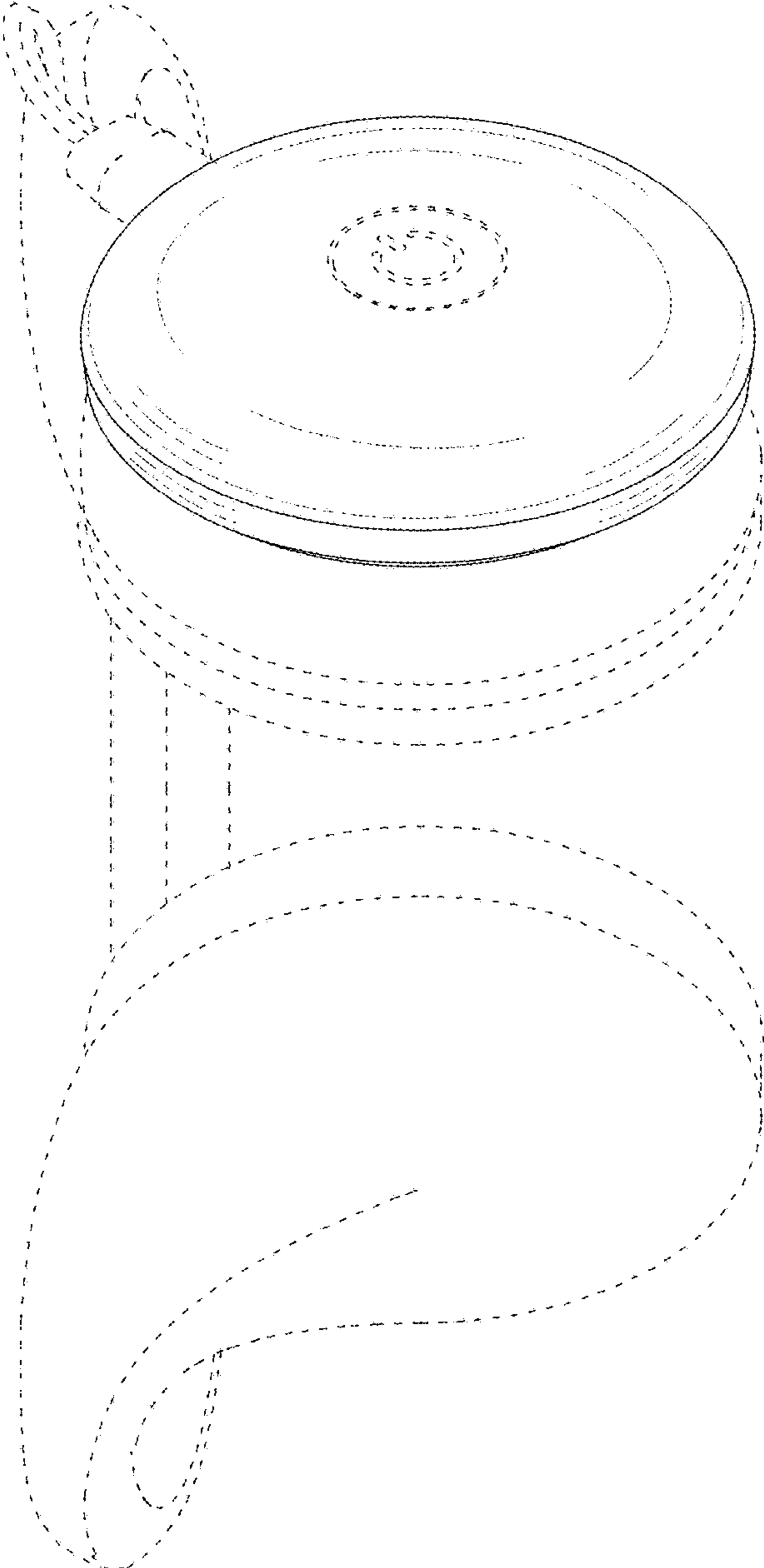


FIG. 13