



US00D855192S

(12) **United States Design Patent**
Yang

(10) **Patent No.:** **US D855,192 S**
(45) **Date of Patent:** **** Jul. 30, 2019**

(54) **WEARABLE PHYSIOTHERAPEUTIC DEVICE**

(71) Applicant: **Jianqiao Yang**, Toronto (CA)

(72) Inventor: **Jianqiao Yang**, Toronto (CA)

(**) Term: **15 Years**

(21) Appl. No.: **29/634,154**

(22) Filed: **Jan. 18, 2018**

(30) **Foreign Application Priority Data**

Jul. 20, 2017 (CN) 2017 3 0321894

(51) **LOC (11) Cl.** **24-01**

(52) **U.S. Cl.**
USPC **D24/200**; D23/187

(58) **Field of Classification Search**
USPC D24/165-169, 186, 187, 189, 190, 200,
D24/214, 215; D14/344; D10/98, 130;
D5/15, 29, 59, 61

CPC ... A61B 5/0006; A61B 5/0022; A61B 5/0202;
A61B 5/04012; A61B 5/04087; A61B
5/681; A61B 5/6824; A61B 5/6832; A61B
5/6833; A61B 5/68335; A61B 5/684;
A61B 2560/0406; A61B 2560/0412;
A61B 2560/0468

See application file for complete search history.

(56) **References Cited**

U.S. PATENT DOCUMENTS

D327,225 S * 6/1992 Crocco D10/30
D355,489 S * 2/1995 Almond D24/189

D489,722 S * 5/2004 Matuschek D24/186
D509,591 S * 9/2005 Tomioka D24/165
D523,958 S * 6/2006 Fang D24/215
D547,454 S * 7/2007 Hsieh D24/186
D581,543 S * 11/2008 Ferber D24/215
7,608,090 B2 * 10/2009 Matsui A45D 44/22
602/1
D685,914 S * 7/2013 Corrigan D24/186
D757,275 S * 5/2016 Lee D24/187
D772,863 S * 11/2016 Amit D14/344
D817,496 S * 5/2018 Stirn D24/167
D819,221 S * 5/2018 Lei D24/200
D827,831 S * 9/2018 Fong D24/167
2016/0206241 A1 * 7/2016 Cho A61B 10/0045
2017/0020401 A1 * 1/2017 Nakayama A61B 5/02438

* cited by examiner

Primary Examiner — Anhdao Doan

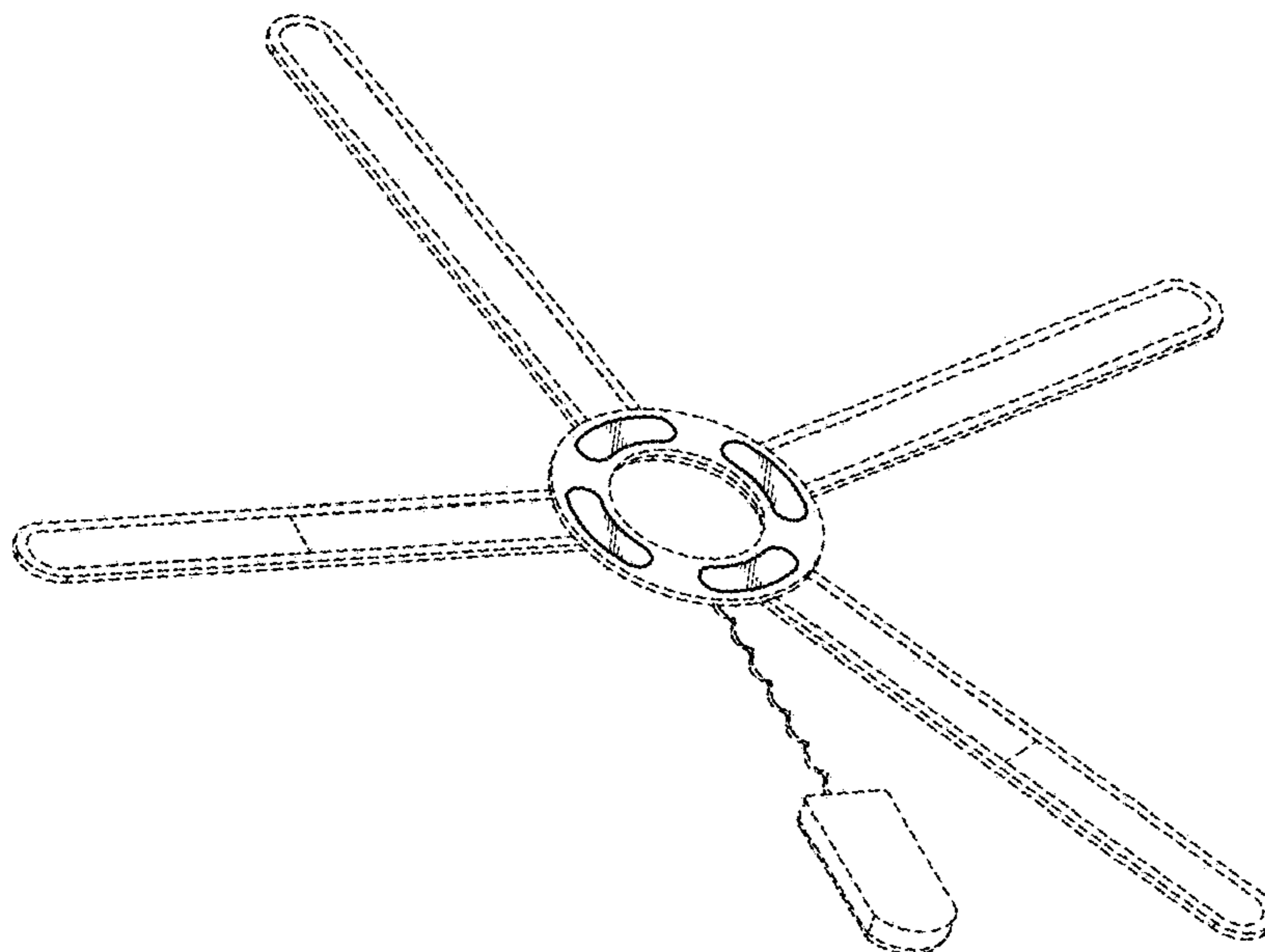
(57) **CLAIM**

The ornamental design for a wearable physiotherapeutic device, as shown and described.

DESCRIPTION

FIG. 1 is a front perspective view of a wearable physiotherapeutic device showing my new design; FIG. 2 is a front elevation view thereof; FIG. 3 is a side elevation view thereof; and, FIG. 4 is a rear elevation view thereof. The broken-line disclosure in the views represents portions of the wearable physiotherapeutic device that form no part of the claimed design.

1 Claim, 3 Drawing Sheets



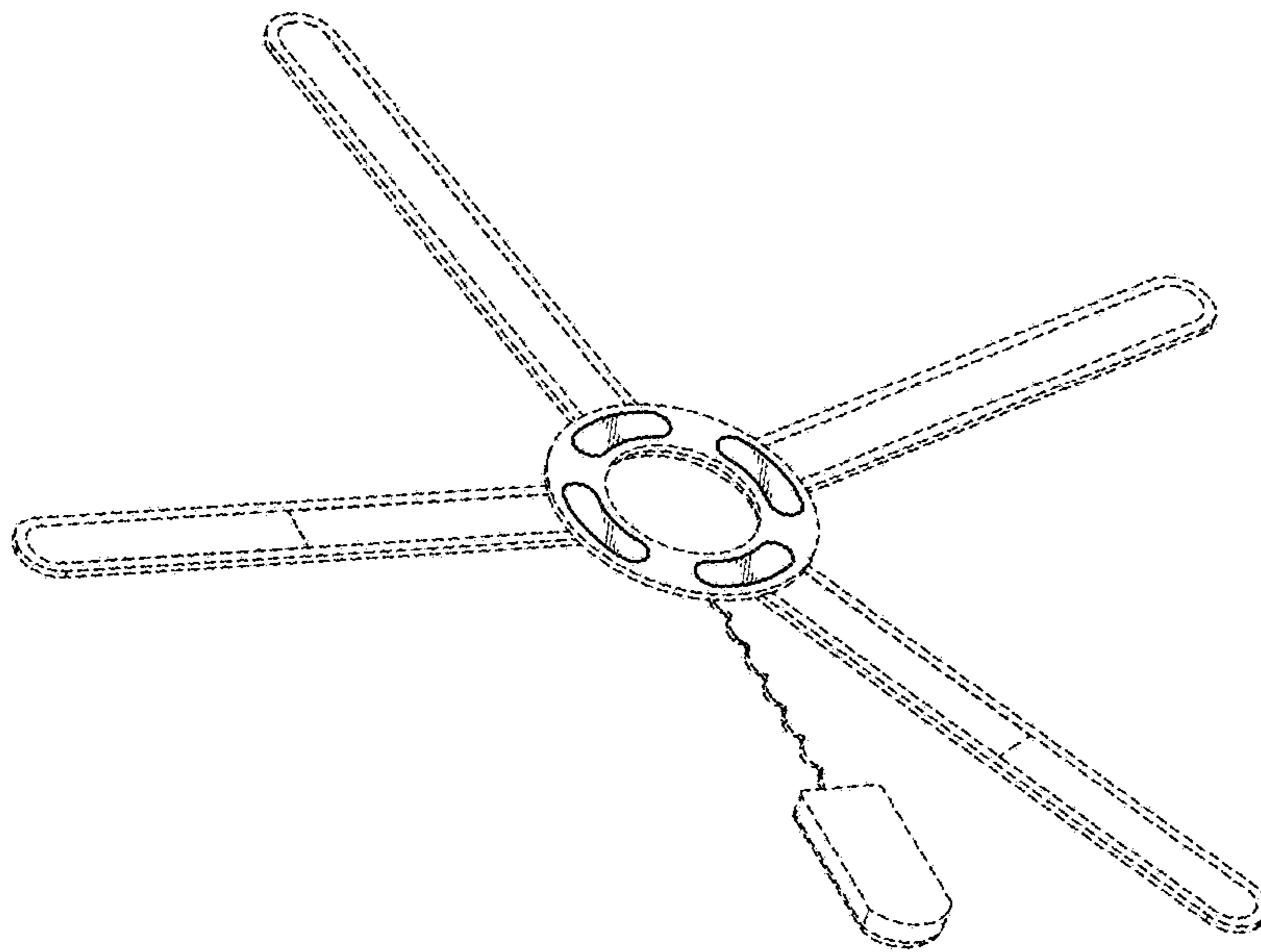


FIG. 1

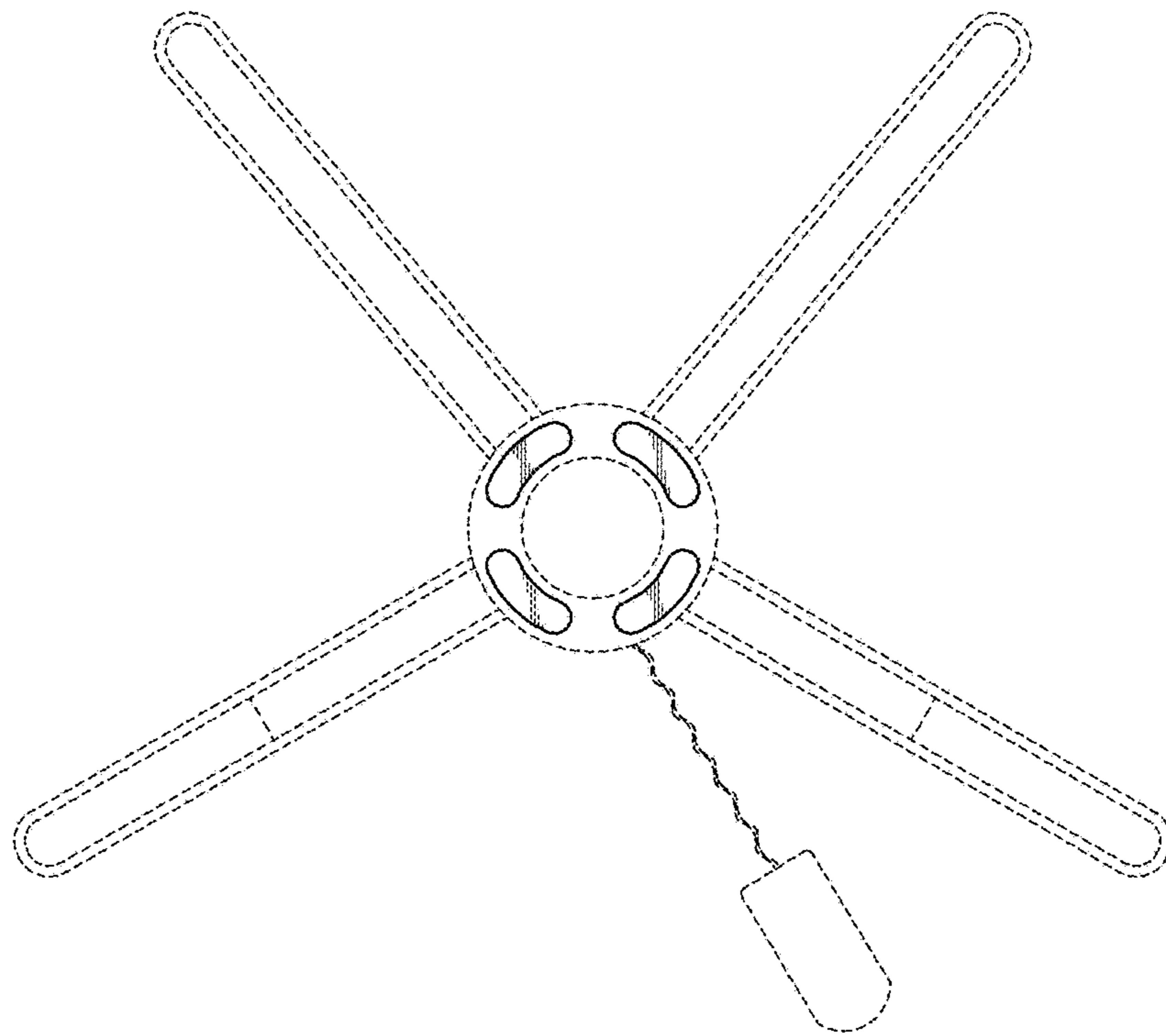


FIG. 2

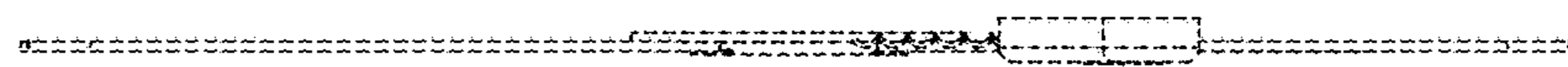


FIG. 3

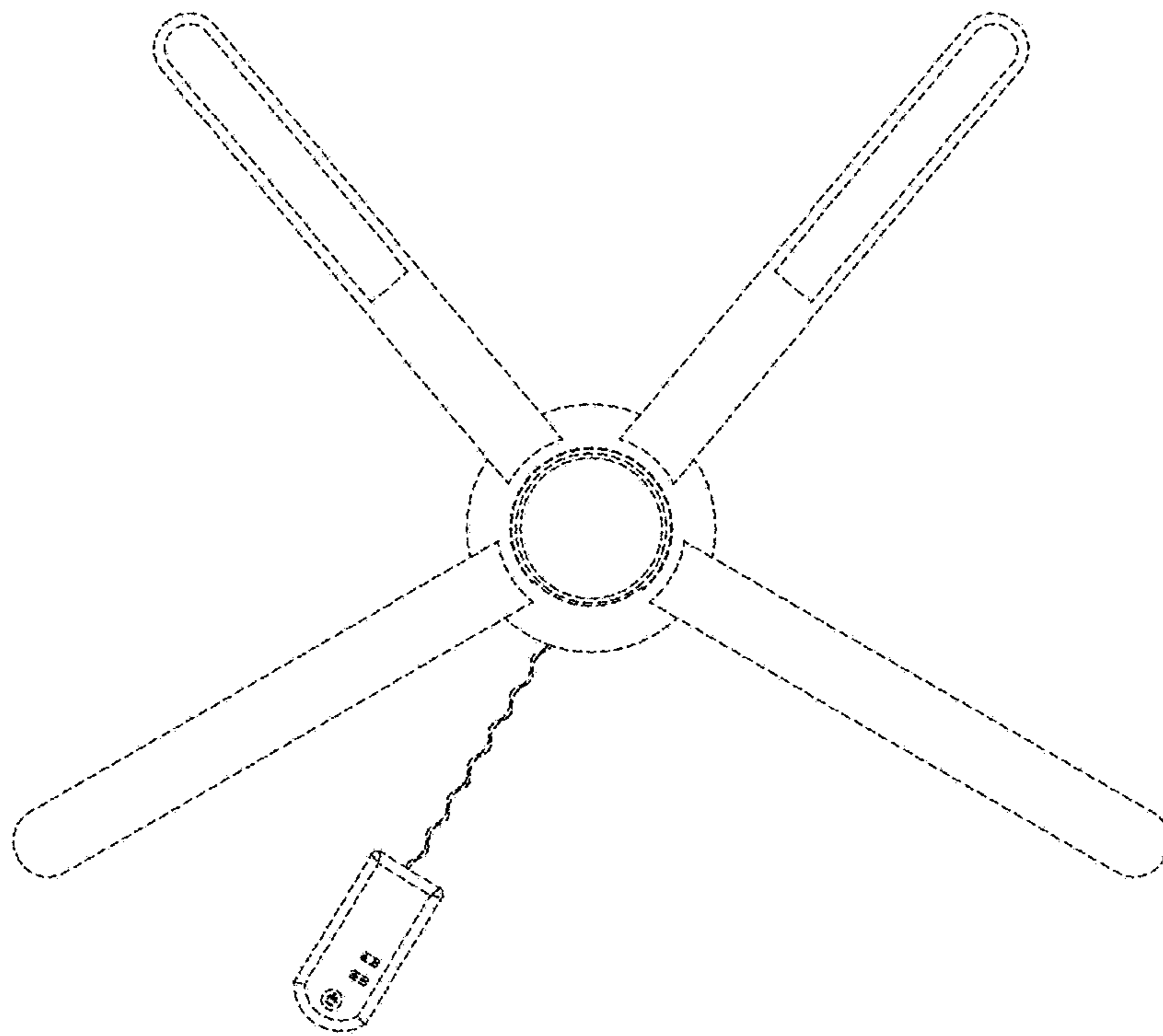


FIG. 4