



US00D855189S

(12) **United States Design Patent** (10) **Patent No.:** **US D855,189 S**
Doerrfuss et al. (45) **Date of Patent:** **** Jul. 30, 2019**

(54) **PATIENT TABLE**
(71) Applicant: **Siemens Healthcare GmbH**, Erlangen (DE)
(72) Inventors: **Bruno Doerrfuss**, Neunkirchen (DE); **Florian Hilbig**, Munich (DE); **Daniel Lerch**, Weilersbach (DE); **Selma Osmanlic**, Forchheim (DE); **Lei Pan**, Shanghai (CN); **Carsten Thierfelder**, Pinzberg (DE)
(73) Assignee: **Siemens Healthcare GmbH**, Erlangen (DE)

3,868,103 A * 2/1975 Pageot A61G 13/02
137/596
3,982,741 A * 9/1976 Mitchell A61G 13/02
5/614
4,195,829 A * 4/1980 Reser A61G 13/02
5/607
D260,172 S * 8/1981 Kyle D24/183
D324,103 S 2/1992 Masuda et al.
(Continued)

(**) Term: **15 Years**

(21) Appl. No.: **29/595,288**

(22) Filed: **Feb. 27, 2017**

(30) **Foreign Application Priority Data**

Aug. 30, 2016 (EM) 001452148

(51) **LOC (11) Cl.** **24-02**

(52) **U.S. Cl.**
USPC **D24/183**

(58) **Field of Classification Search**
USPC D24/159, 183, 184, 185, 186, 187
CPC .. A61G 13/1235; A61G 2210/50; A61B 6/04;
A61B 6/0407; A61F 5/3723; A61F
5/3761
See application file for complete search history.

(56) **References Cited**

U.S. PATENT DOCUMENTS

3,281,141 A * 10/1966 Smiley A61G 13/00
5/614
3,452,977 A * 7/1969 Ryman A61B 6/04
108/143
D221,910 S * 9/1971 Brendgord D24/183

OTHER PUBLICATIONS

Siemens Somatom Force designaffairs. [online] Published Oct. 23, 2015. Retrieved Jun. 5, 2018 from URL:https://www.designaffairs.com/siemens-somatom-force/.

(Continued)

Primary Examiner — Ian Simmons

Assistant Examiner — Samantha Q Lawrence

(74) *Attorney, Agent, or Firm* — Schiff Hardin LLP

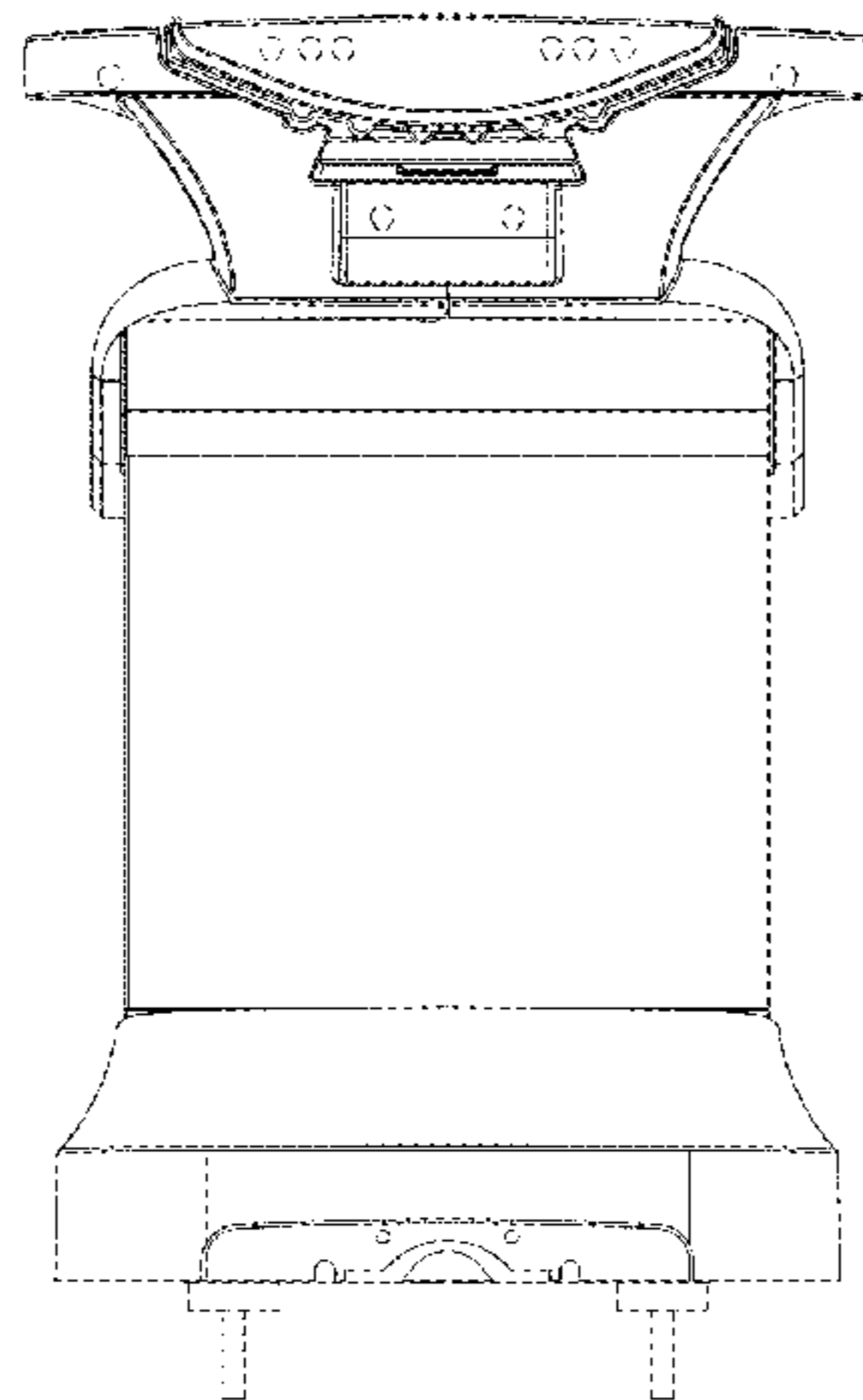
(57) **CLAIM**

The ornamental design for a patient table, as shown and described.

DESCRIPTION

FIG. 1 is a front elevational view of a patient table showing our new design;
FIG. 2 is a back elevational view thereof;
FIG. 3 is a top plan view thereof;
FIG. 4 is a bottom plan view thereof;
FIG. 5 is a side elevational view of the right side thereof;
FIG. 6 is a side elevational view of the left side thereof; and
FIG. 7 is a perspective view taken generally from the top, front, right-hand side thereof; and,
FIG. 8 is a perspective view taken generally from the top, back, right-hand side thereof.
The broken lines are included for the purpose of illustrating portions of the patient table that form no part of the claimed design.

1 Claim, 8 Drawing Sheets



(56)

References Cited

U.S. PATENT DOCUMENTS

D344,802 S * 3/1994 Kuck D24/183
 5,528,782 A * 6/1996 Pfeuffer A61G 13/02
 108/147
 6,038,718 A * 3/2000 Pennington A61B 6/04
 5/608
 D453,968 S * 2/2002 Zachrisson D24/183
 D462,445 S * 9/2002 Barde D24/183
 6,754,923 B2 * 6/2004 Borders A61G 13/06
 5/618
 D518,894 S 4/2006 Kirn
 D527,459 S * 8/2006 Gireesh D24/183
 D552,389 S 10/2007 Papiernik
 D553,246 S * 10/2007 Banryu D24/183
 7,761,941 B2 * 7/2010 Loser A61B 5/055
 378/209
 D630,330 S * 1/2011 Baba D24/159
 D681,208 S 4/2013 Ninomiya et al.
 D701,605 S * 3/2014 Ohmukai D24/183
 D726,319 S * 4/2015 Sul D24/159
 D727,509 S * 4/2015 Tan D24/159
 D731,068 S 6/2015 Moon et al.
 D735,864 S * 8/2015 Doerre D24/159
 D736,390 S 8/2015 Kim
 D736,934 S 8/2015 Kim

D743,555 S * 11/2015 Hasebe D24/159
 9,233,042 B1 * 1/2016 Freude A61G 13/10
 D748,804 S 2/2016 Eenboom et al.
 D774,195 S 12/2016 Ramos
 D820,459 S * 6/2018 Eenboom D24/183
 D829,913 S * 10/2018 Kitayama D24/159
 2004/0148703 A1 * 8/2004 Doering A61G 13/02
 5/610
 2005/0125896 A1 6/2005 Cavalier et al.
 2007/0107122 A1 * 5/2007 Georgi A61G 13/04
 5/11
 2009/0144902 A1 * 6/2009 Baumann A61B 6/0457
 5/608
 2011/0296613 A1 * 12/2011 Farmbauer A61B 5/0555
 5/600
 2016/0174914 A1 6/2016 Lerch et al.
 2016/0287461 A1 * 10/2016 Naughton A61G 13/04

OTHER PUBLICATIONS

Siemens Healthineers introduces new platform for computed tomography at ECR 2017. [online] Published Mar. 3, 2017. Retrieved Jun. 5, 2018 from URL: <https://www.news-medical.net/news/20170303/Siemens-Healthineers-introduces-new-platform-for-computed-tomography-at-ECR-2017.aspx>.

* cited by examiner

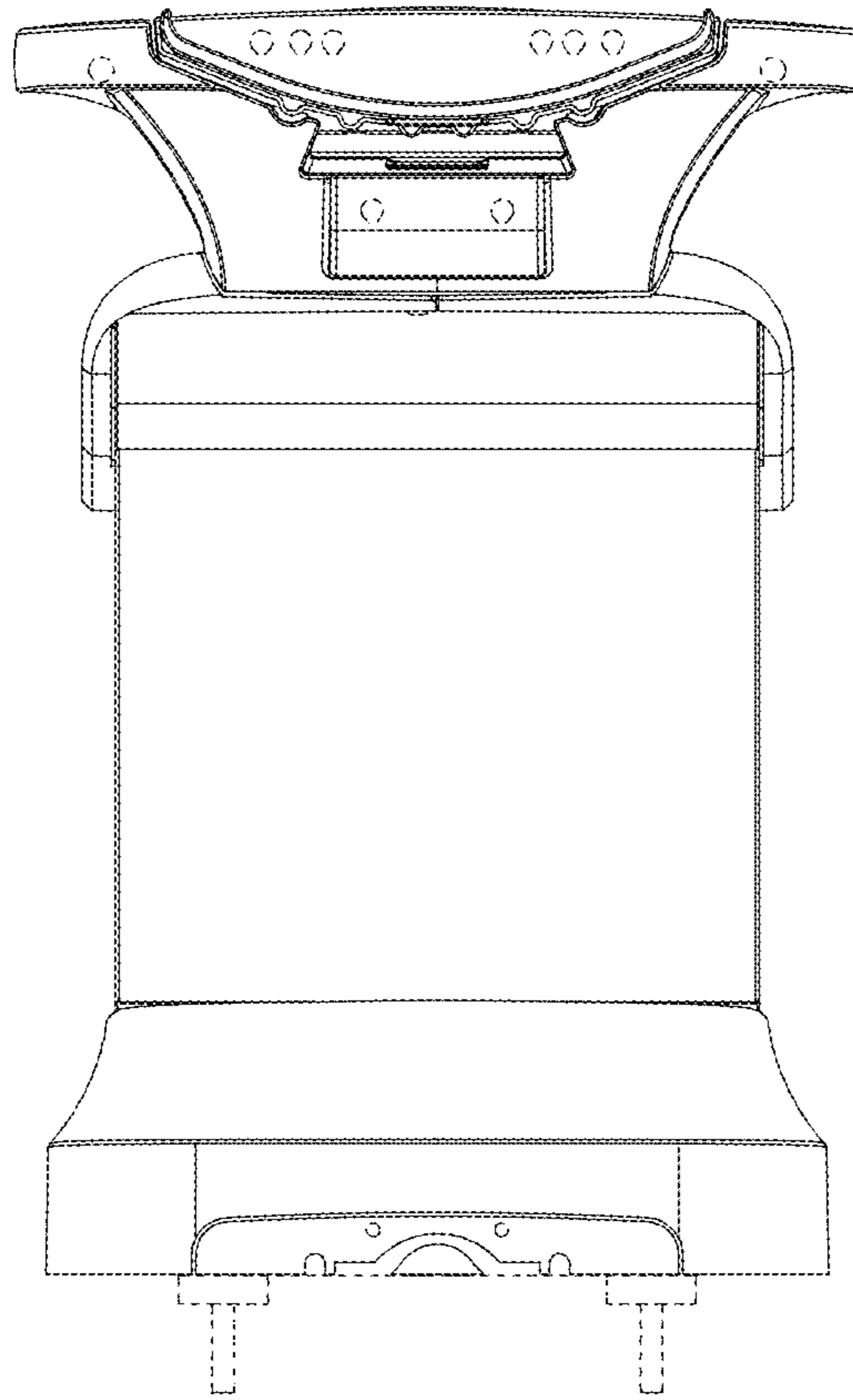


FIG. 1

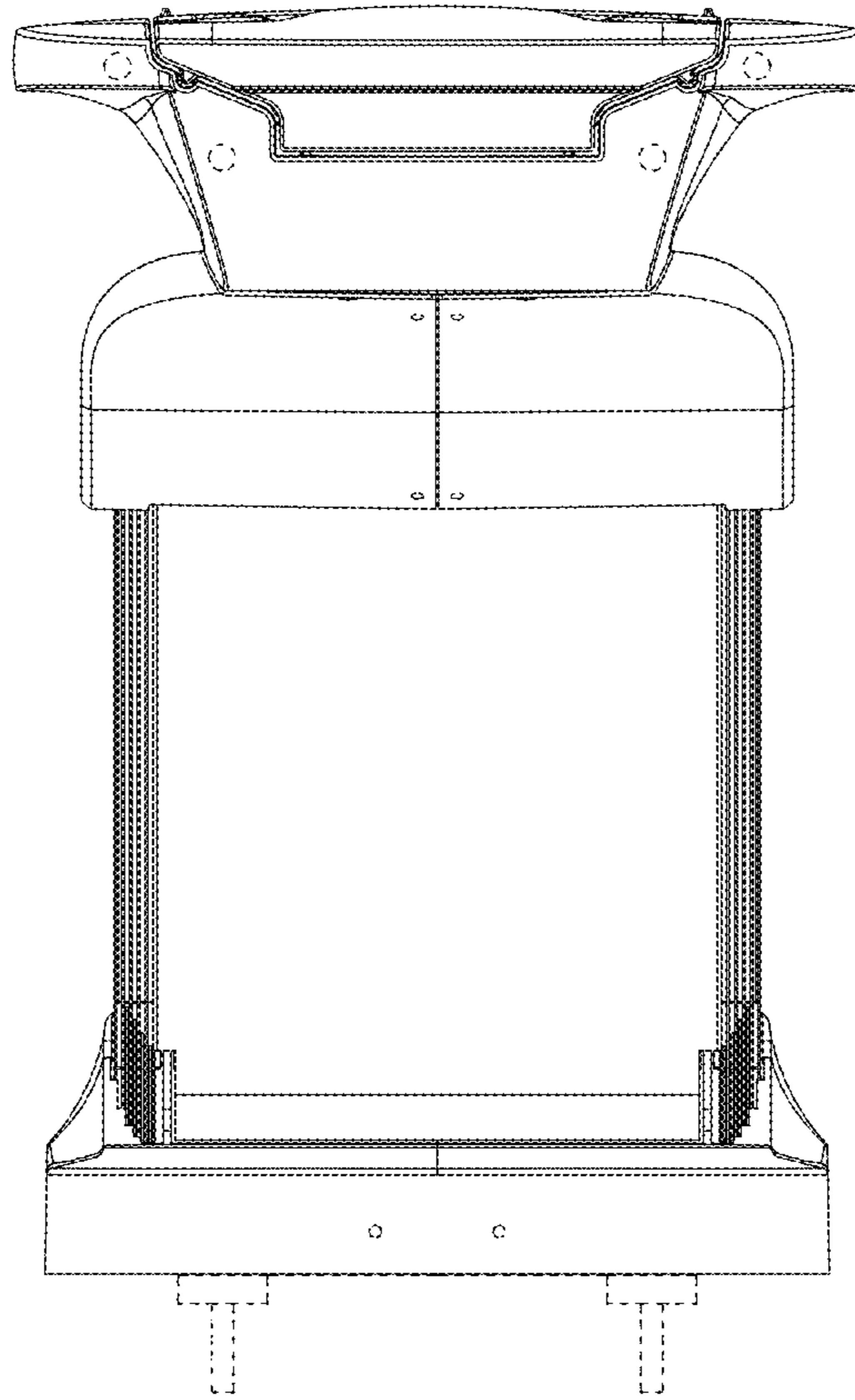


FIG. 2

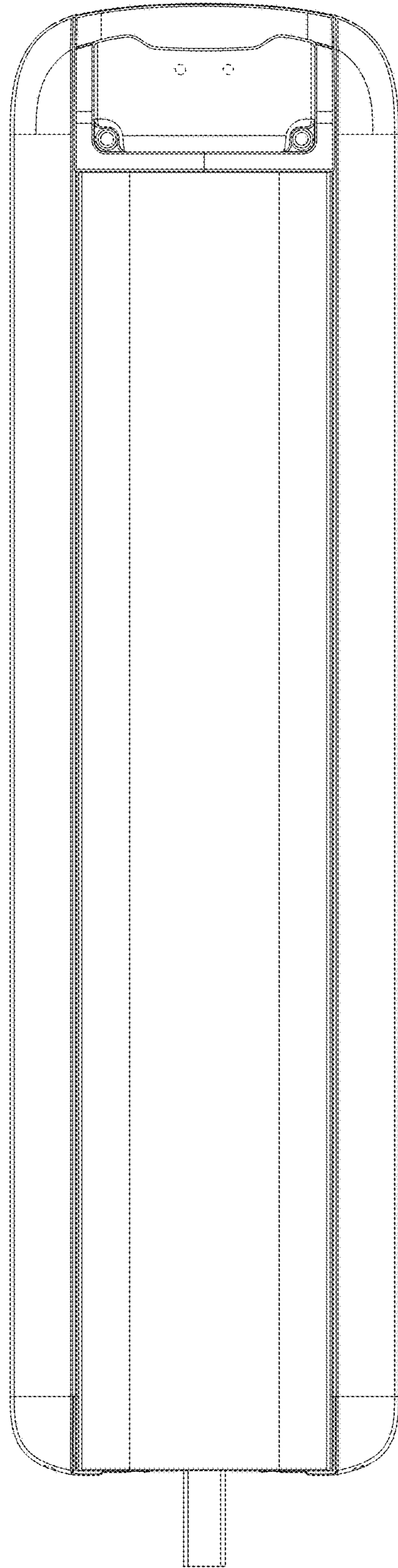


FIG. 3

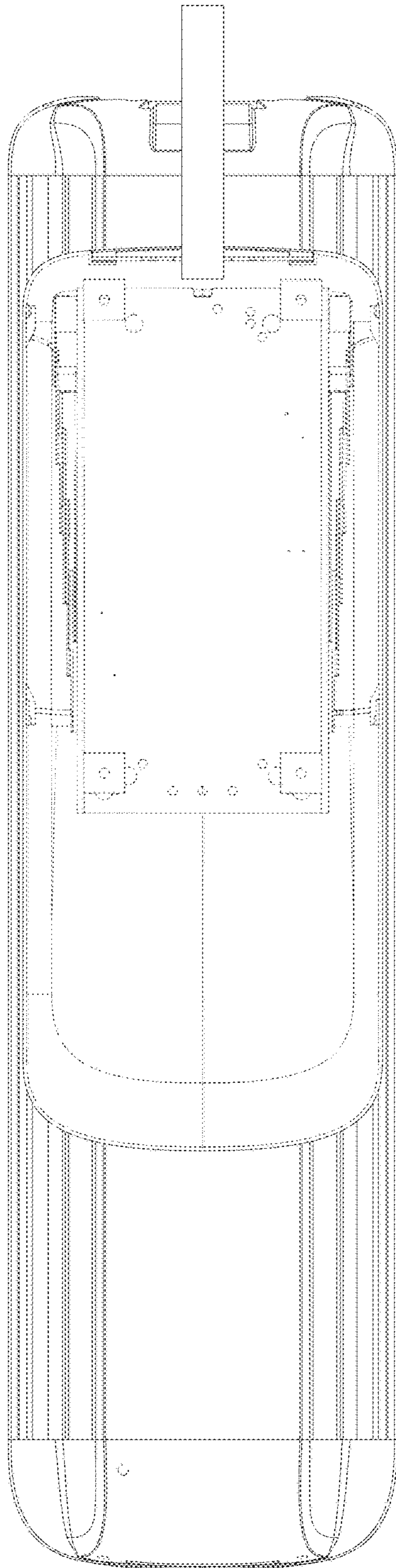


FIG. 4

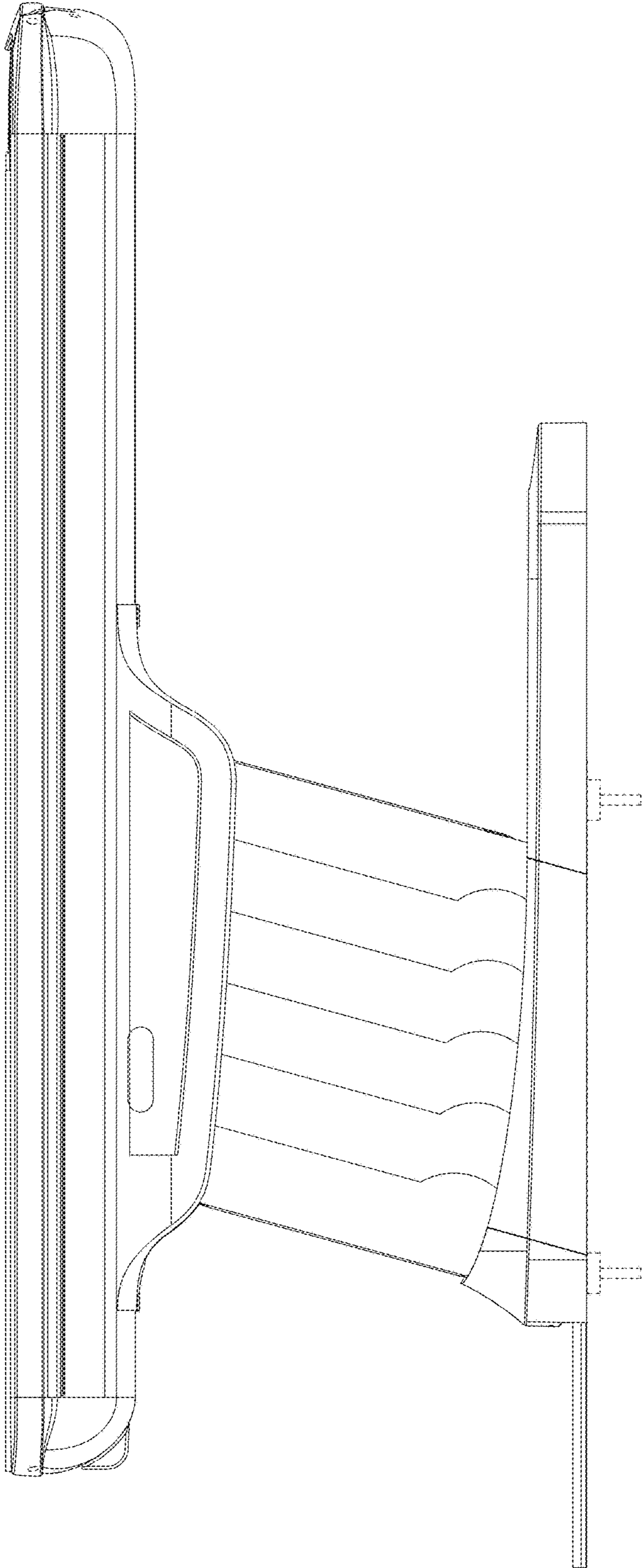


FIG. 5

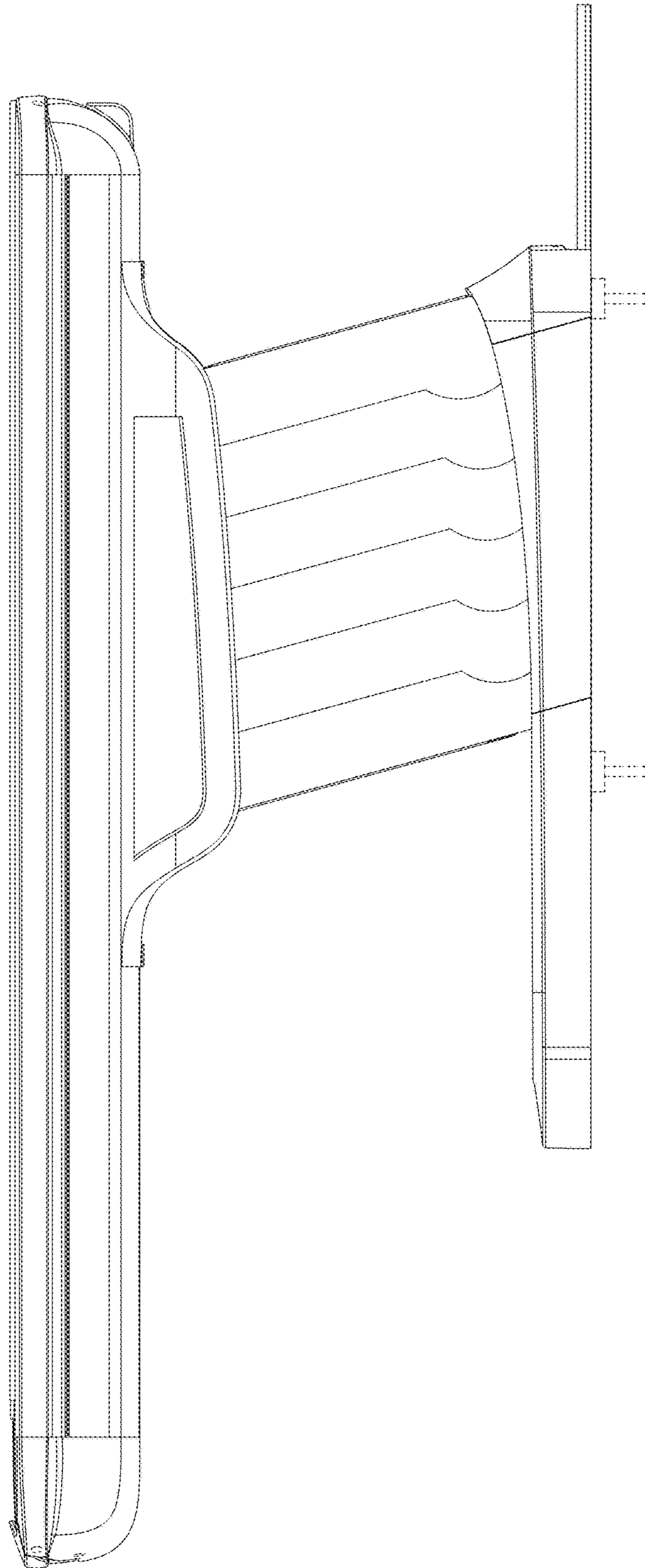


FIG. 6

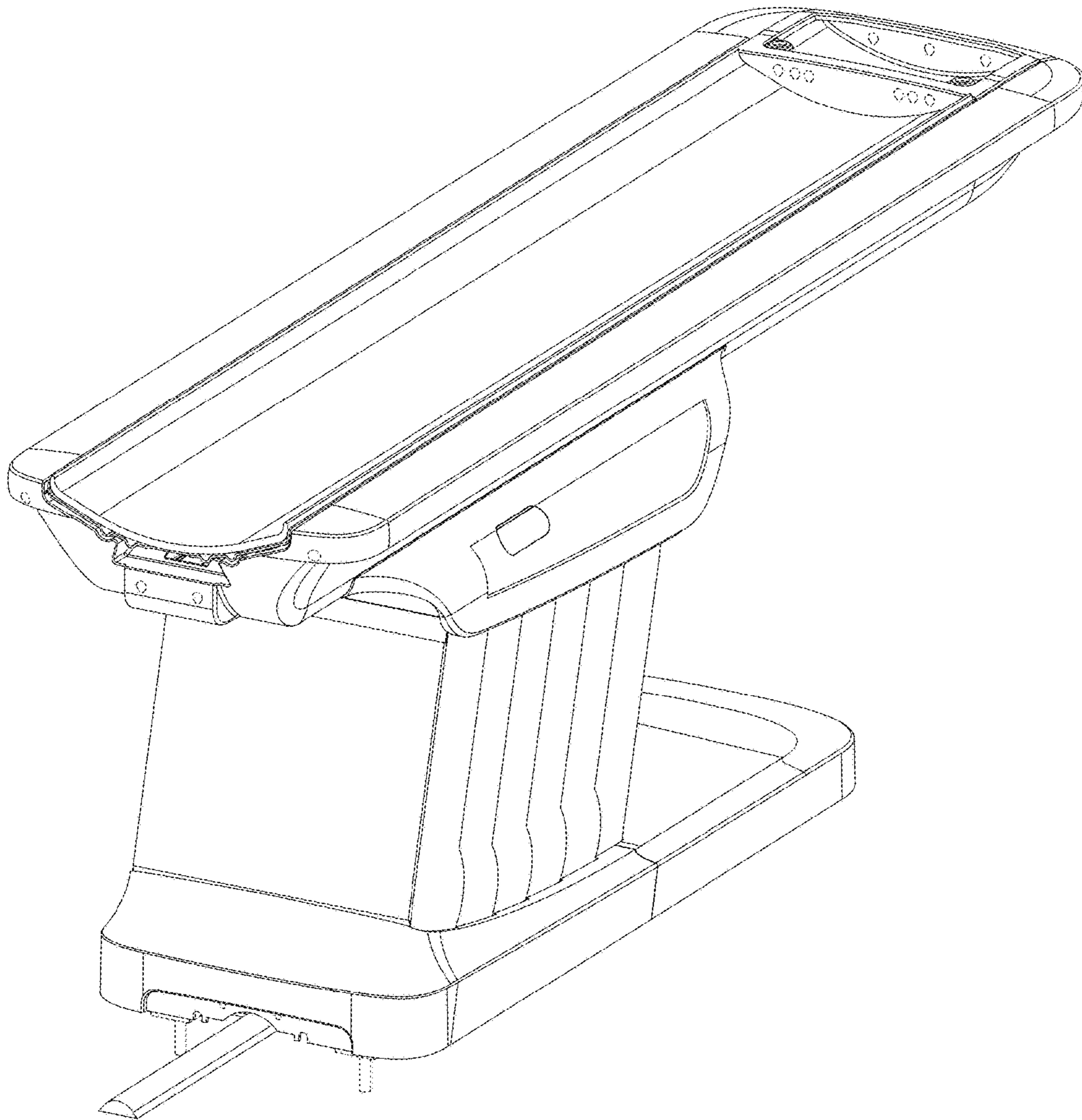


FIG. 7

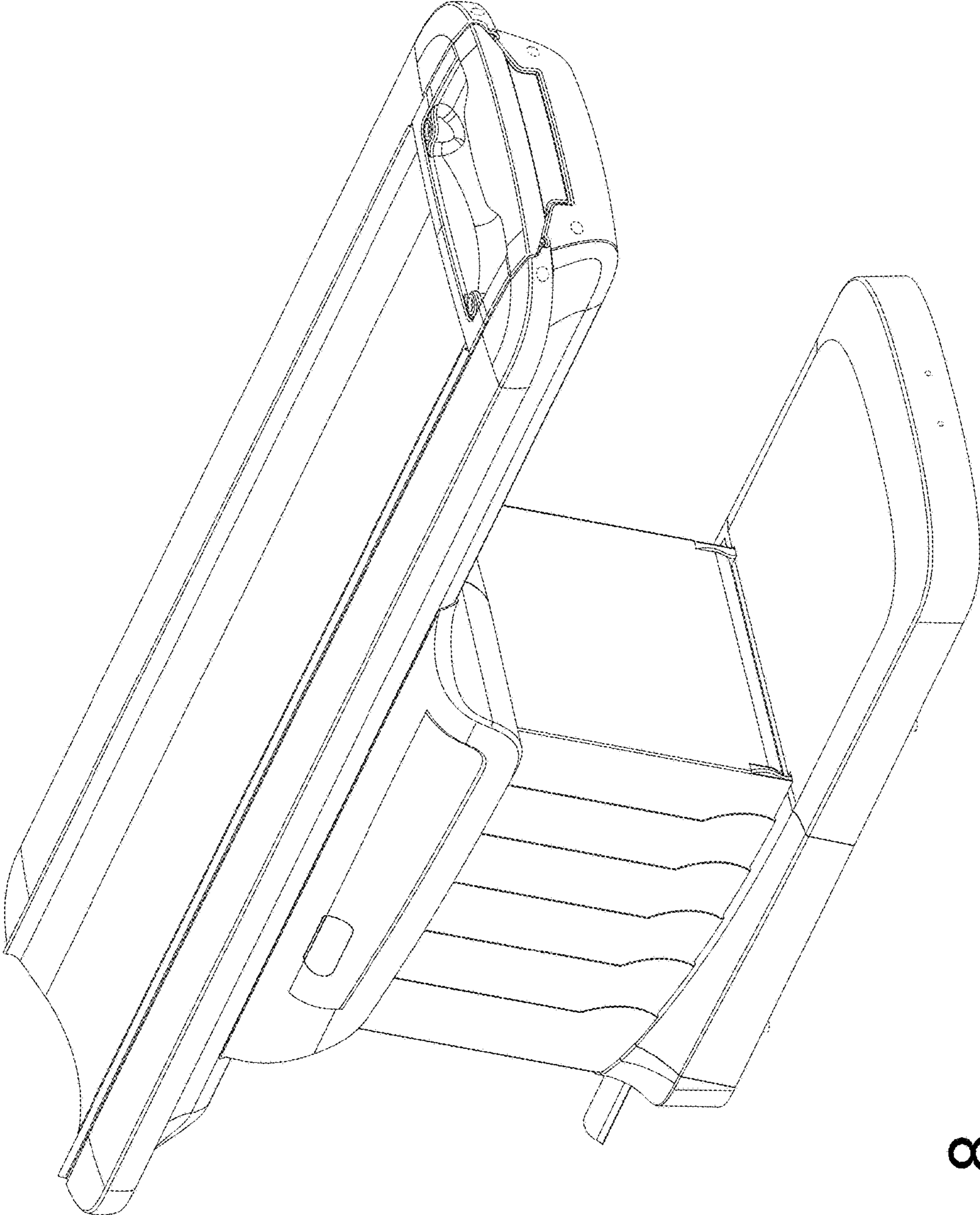


FIG. 8