



US00D855188S

(12) **United States Design Patent** (10) **Patent No.:** **US D855,188 S**  
**Lockenwitz** (45) **Date of Patent:** **\*\* Jul. 30, 2019**

(54) **RITE STYLE HEARING AID**  
(71) Applicant: **OTICON A/S**, Smorum (DK)  
(72) Inventor: **Christian Lockenwitz**, Copenhagen V (DK)  
(73) Assignee: **OTICON A/S**, Smørum (DK)  
(\*\*) Term: **15 Years**  
(21) Appl. No.: **29/612,312**  
(22) Filed: **Jul. 31, 2017**

D734,855 S \* 7/2015 Meinertz ..... D24/174  
D797,939 S \* 9/2017 Tipsmark ..... D24/174  
D797,940 S \* 9/2017 Tipsmark ..... D24/174  
D806,252 S \* 12/2017 Lockenwitz ..... D24/174  
2011/0200218 A1\* 8/2011 Borregaard ..... H01M 2/1044  
381/323  
2013/0195303 A1\* 8/2013 Tada ..... H04R 25/602  
381/323

\* cited by examiner

*Primary Examiner* — Anhdao Doan

(74) *Attorney, Agent, or Firm* — Birch, Stewart, Kolasch & Birch, LLP

(30) **Foreign Application Priority Data**

Jan. 30, 2017 (EM) ..... 001456461-0001  
Jan. 30, 2017 (EM) ..... 001456461-0002

(51) **LOC (11) Cl.** ..... **24-99**  
(52) **U.S. Cl.**  
USPC ..... **D24/174**

(58) **Field of Classification Search**  
USPC ..... D24/173–175; D14/205, 223–226, 249  
CPC .. H04R 2225/025; H04R 25/60; H04R 25/63;  
H04R 25/67; H04R 25/602; H04R  
25/604; H04R 25/608; H04R 25/65;  
H04R 25/652  
See application file for complete search history.

(56) **References Cited**

**U.S. PATENT DOCUMENTS**

D647,204 S \* 10/2011 Borregaard ..... D24/175  
D698,027 S \* 1/2014 Olsen ..... D24/174

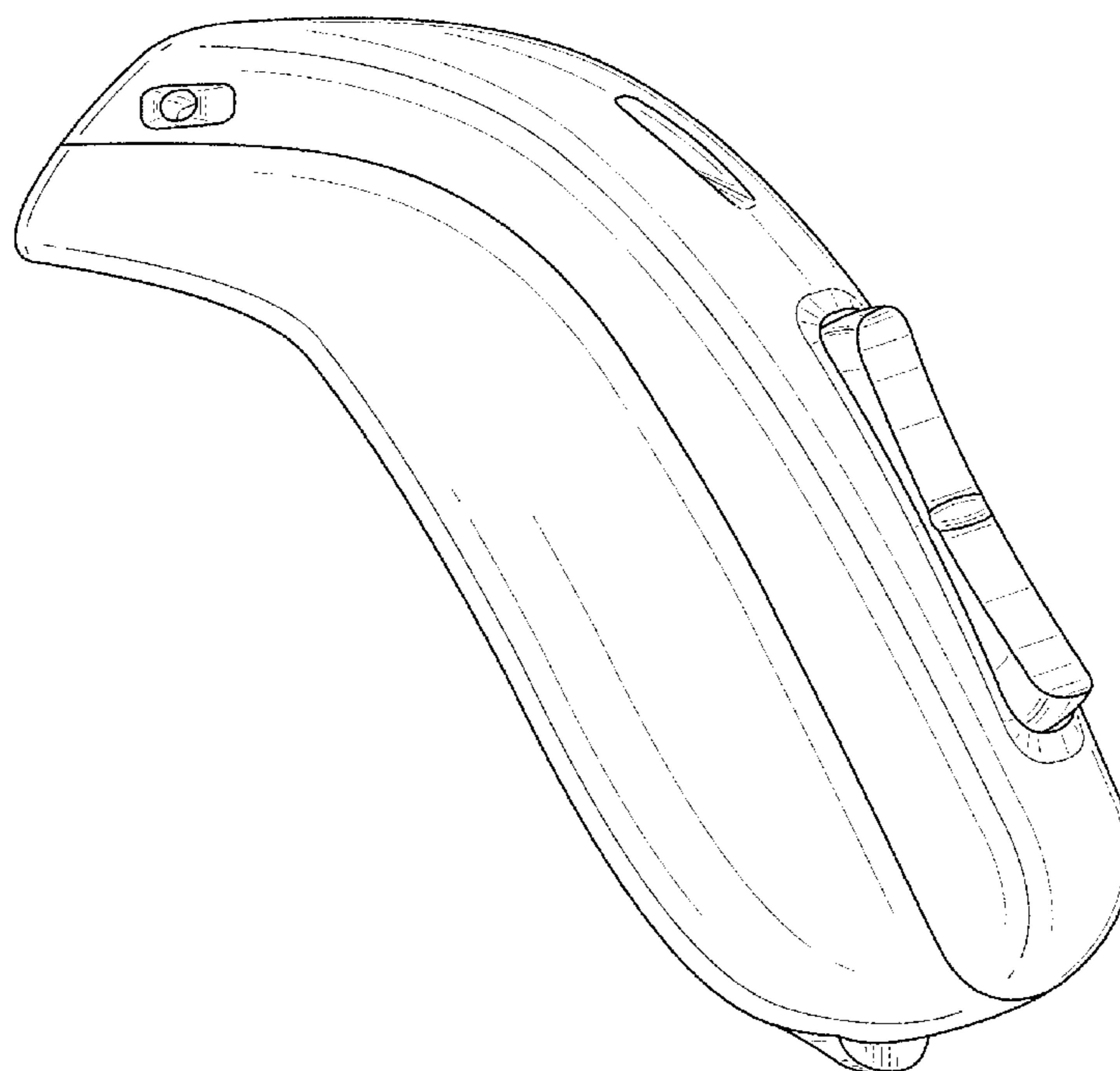
(57) **CLAIM**

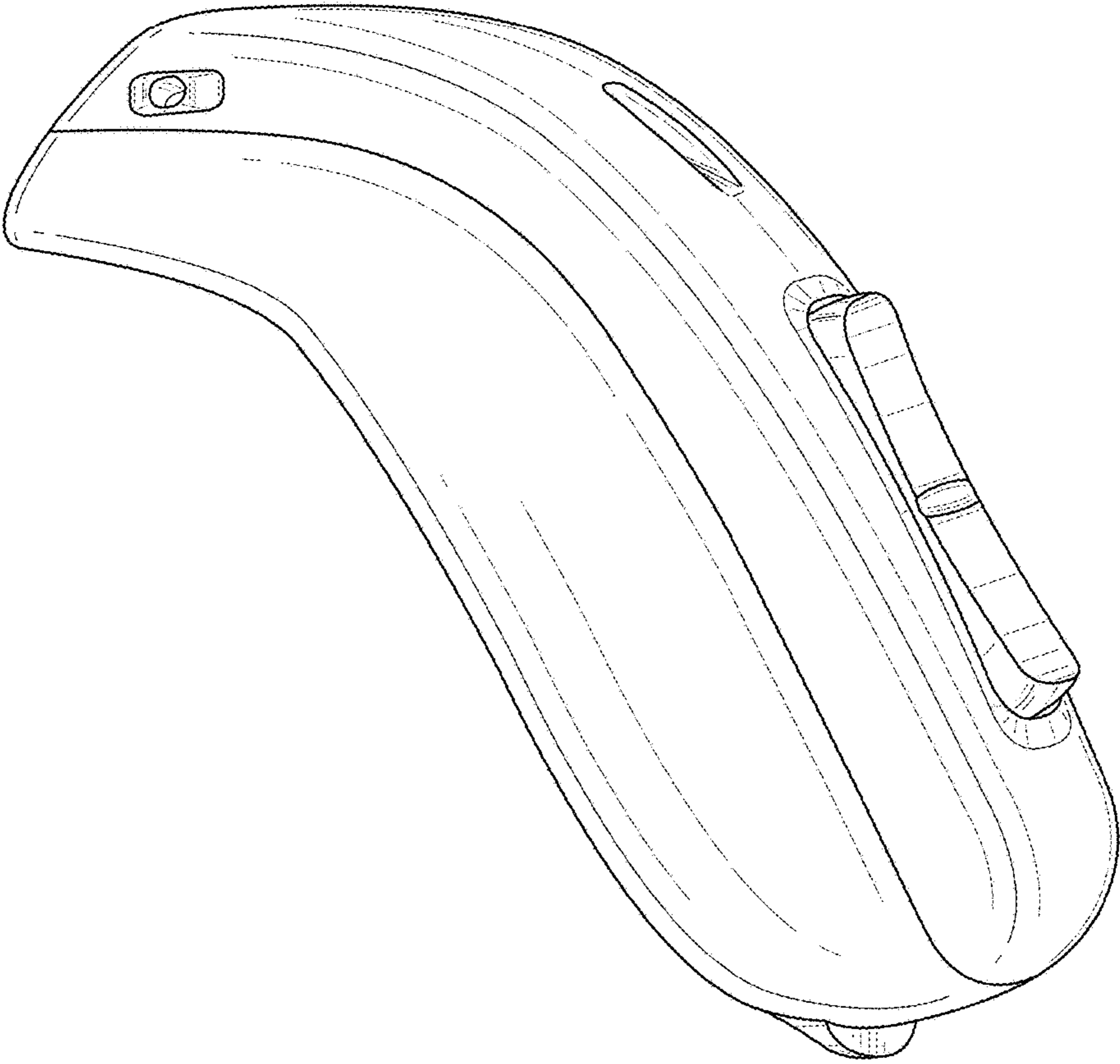
The ornamental design for a rite style hearing aid, as shown and described.

**DESCRIPTION**

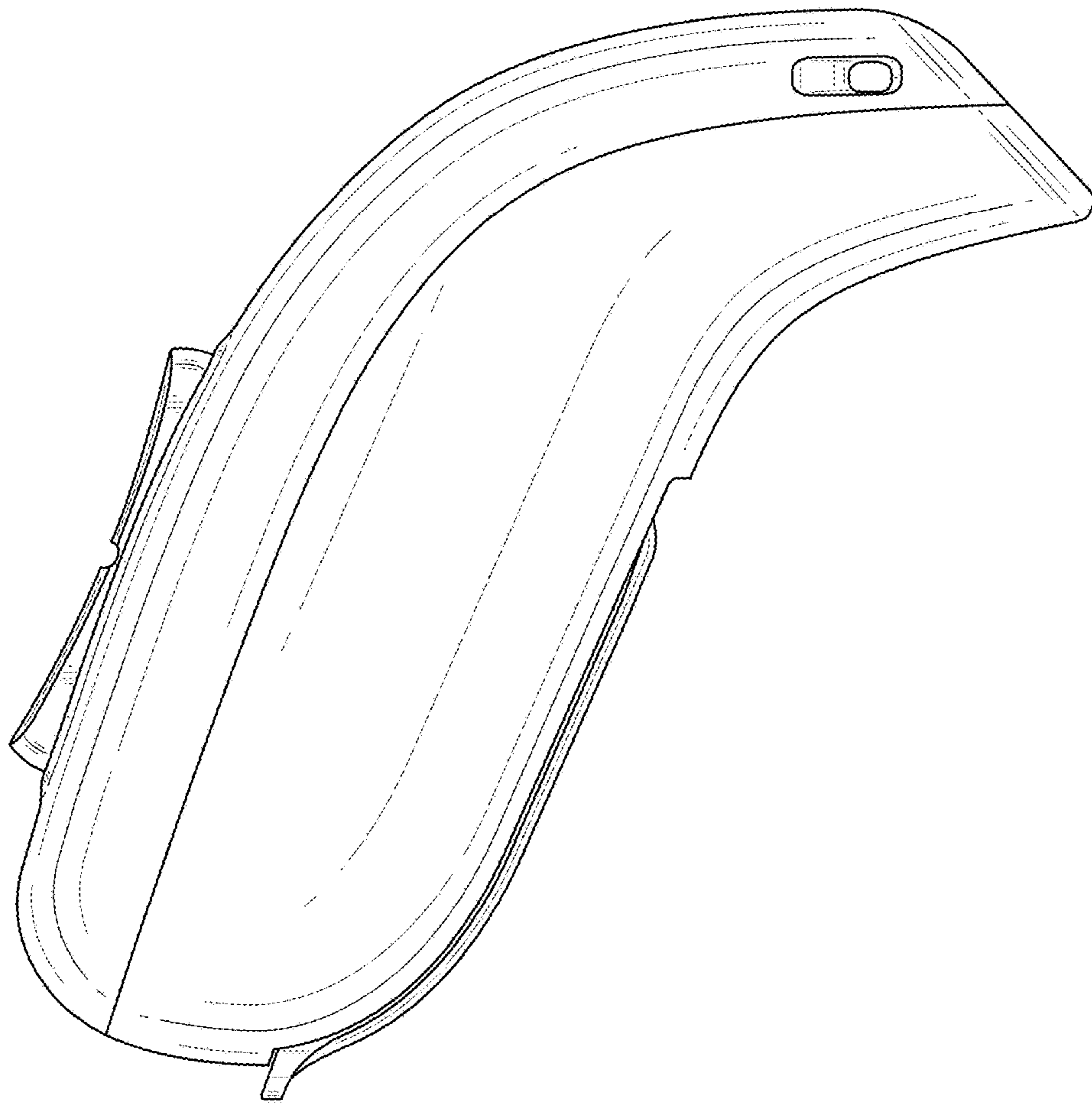
FIG. 1 is a perspective view of the rite style hearing aid; FIG. 2 is a left side view of the rite style hearing aid; FIG. 3 is a right side view of the rite style hearing aid; FIG. 4 is a front view of the rite style hearing aid; FIG. 5 is a rear view of the rite style hearing aid; FIG. 6 is a top view of the rite style hearing aid; and, FIG. 7 is a bottom view of the rite style hearing aid. The broken lines illustrate portions of the rite style hearing aid that form no part of the claimed design.

**1 Claim, 7 Drawing Sheets**

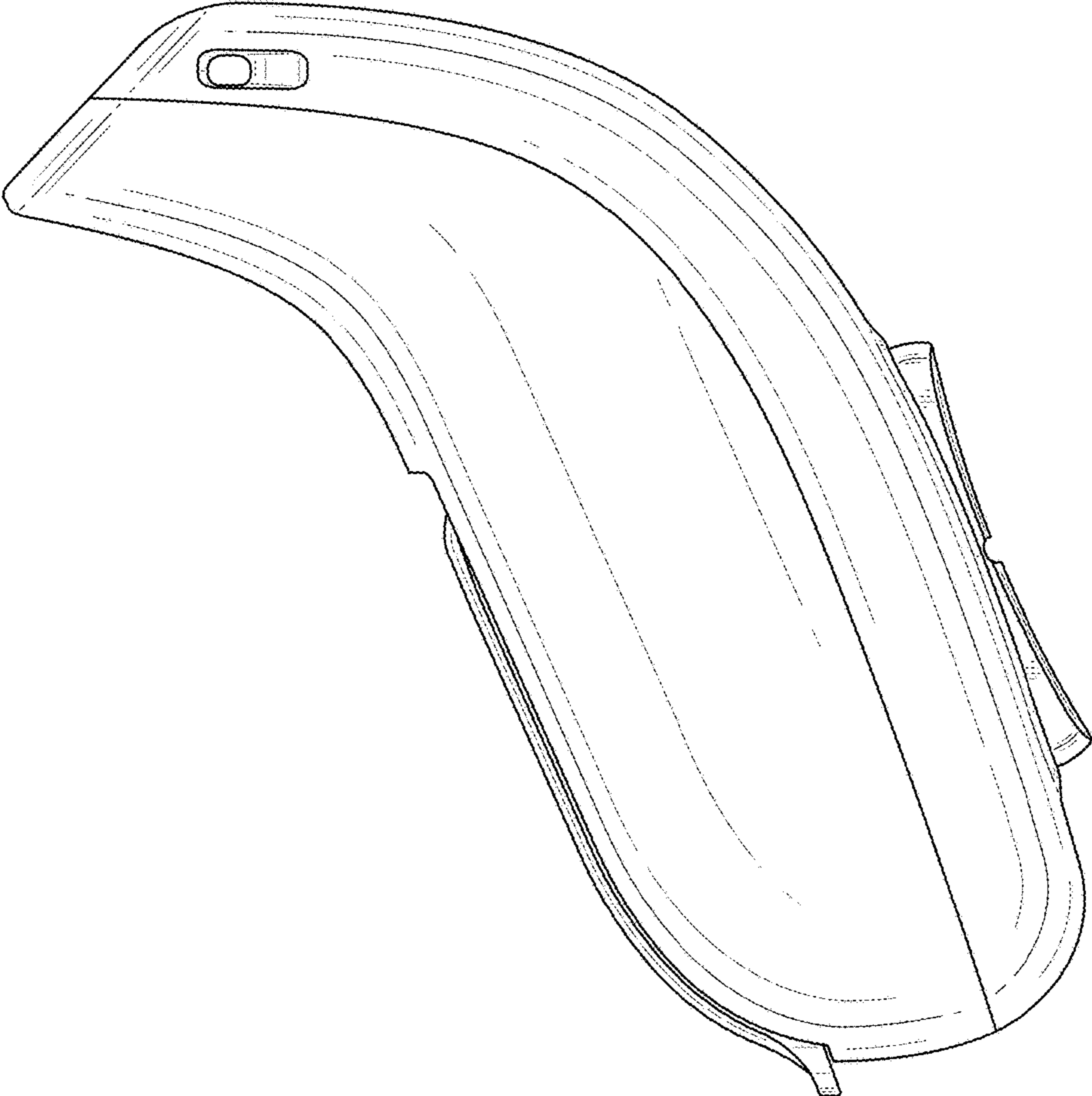




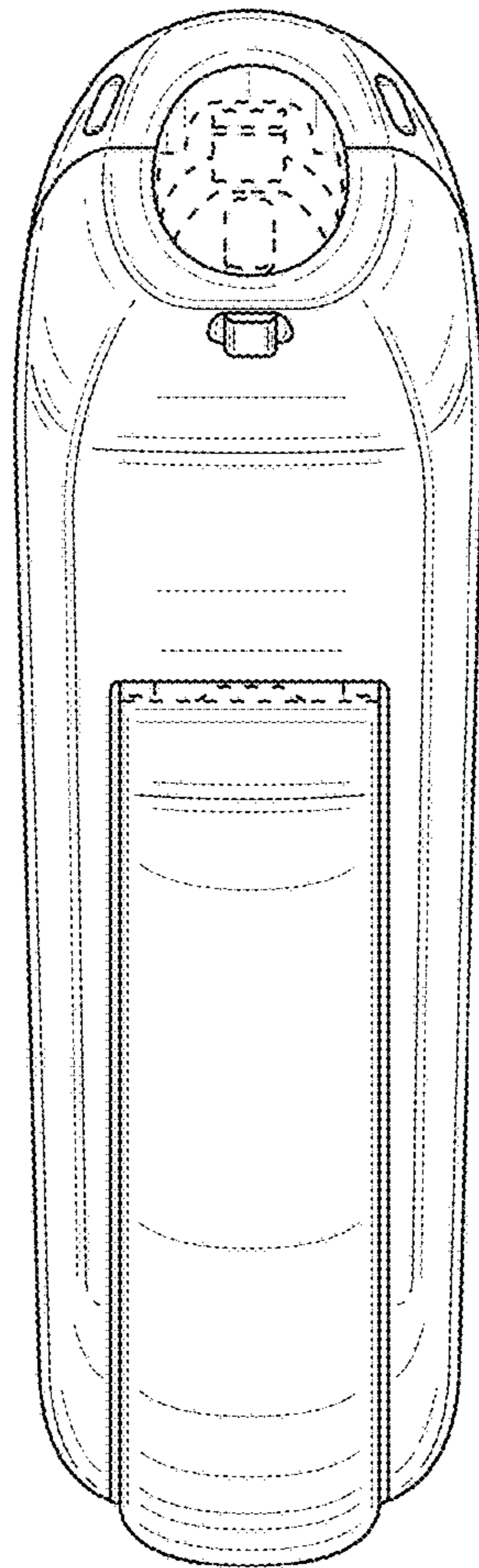
**FIG. 1**



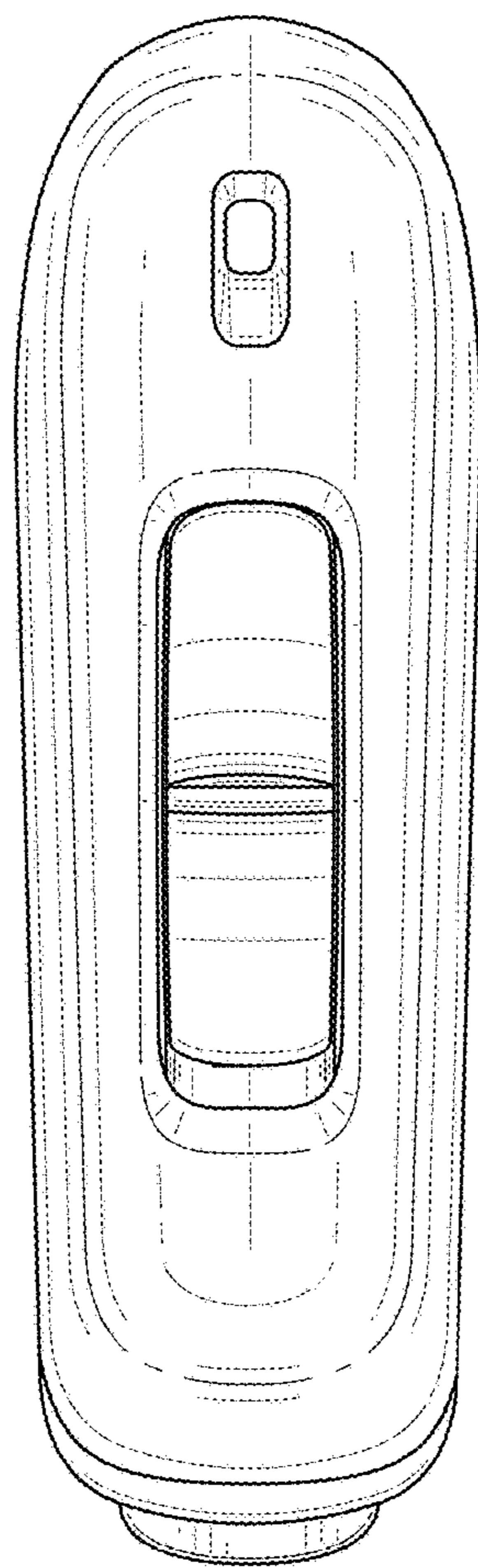
**FIG. 2**



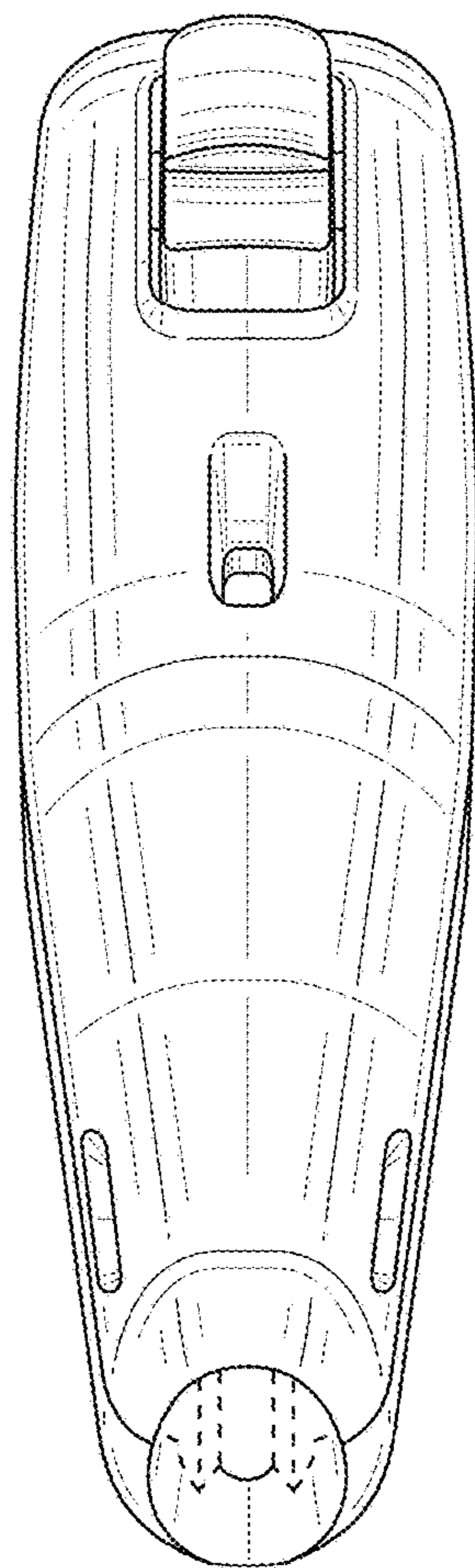
**FIG. 3**



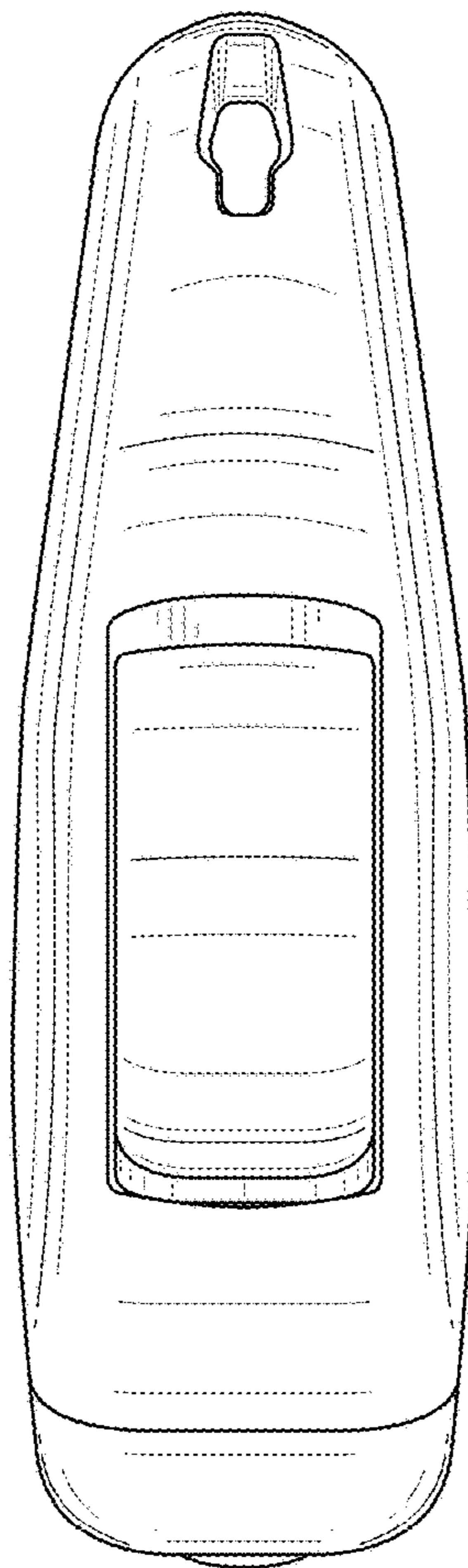
**FIG. 4**



**FIG. 5**



**FIG. 6**



**FIG. 7**