



US00D855187S

(12) **United States Design Patent**
Lockenwitz

(10) **Patent No.:** **US D855,187 S**

(45) **Date of Patent:** **** Jul. 30, 2019**

(54) **RITE STYLE HEARING AID**

(71) Applicant: **OTICON A/S**, Smorum (DK)

(72) Inventor: **Christian Lockenwitz**, Copenhagen (DK)

(73) Assignee: **OTICON A/S**, Smørum (DK)

(**) Term: **15 Years**

(21) Appl. No.: **29/612,306**

(22) Filed: **Jul. 31, 2017**

(30) **Foreign Application Priority Data**

Jan. 30, 2017 (EM) 001456479-0001
Jan. 30, 2017 (EM) 001456479-0002

(51) **LOC (11) Cl.** **24-99**

(52) **U.S. Cl.**
USPC **D24/174**

(58) **Field of Classification Search**
USPC D24/173-175; D14/205, 223-226, 249
CPC .. H04R 2225/025; H04R 25/60; H04R 25/63;
H04R 25/67; H04R 25/602; H04R
25/604; H04R 25/608; H04R 25/65;
H04R 25/652

See application file for complete search history.

(56) **References Cited**

U.S. PATENT DOCUMENTS

D647,204 S * 10/2011 Borregaard D24/175
D698,027 S * 1/2014 Olsen D24/174

D734,855 S * 7/2015 Meinertz D24/174
D797,939 S * 9/2017 Tipsmark D24/174
D797,940 S * 9/2017 Tipsmark D24/174
D806,252 S * 12/2017 Lockenwitz D24/174
2011/0200218 A1* 8/2011 Borregaard H01M 2/1044
381/323
2013/0195303 A1* 8/2013 Tada H04R 25/602
381/323

* cited by examiner

Primary Examiner — Anhdao Doan

(74) *Attorney, Agent, or Firm* — Birch, Stewart, Kolasch & Birch, LLP

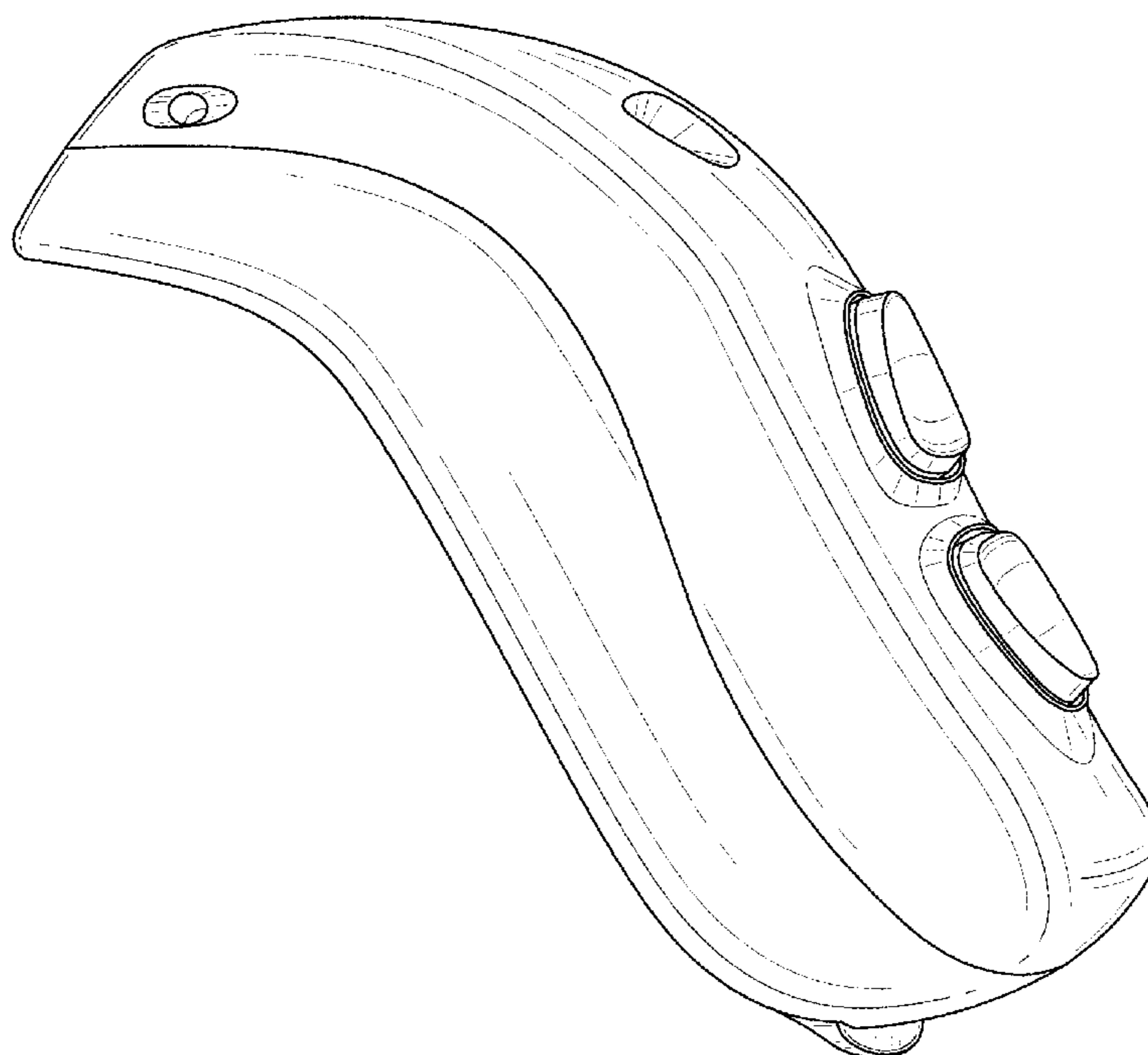
(57) **CLAIM**

The ornamental design for a rite style hearing aid, as shown and described.

DESCRIPTION

FIG. 1 is a perspective view of the rite style hearing aid; FIG. 2 is a left side view of the rite style hearing aid; FIG. 3 is a right side view of the rite style hearing aid; FIG. 4 is a front view of the rite style hearing aid; FIG. 5 is a rear view of the rite style hearing aid; FIG. 6 is a top view of the rite style hearing aid; and, FIG. 7 is a bottom view of the rite style hearing aid. The broken lines illustrate portions of the rite style hearing aid that form no part of the claimed design.

1 Claim, 7 Drawing Sheets



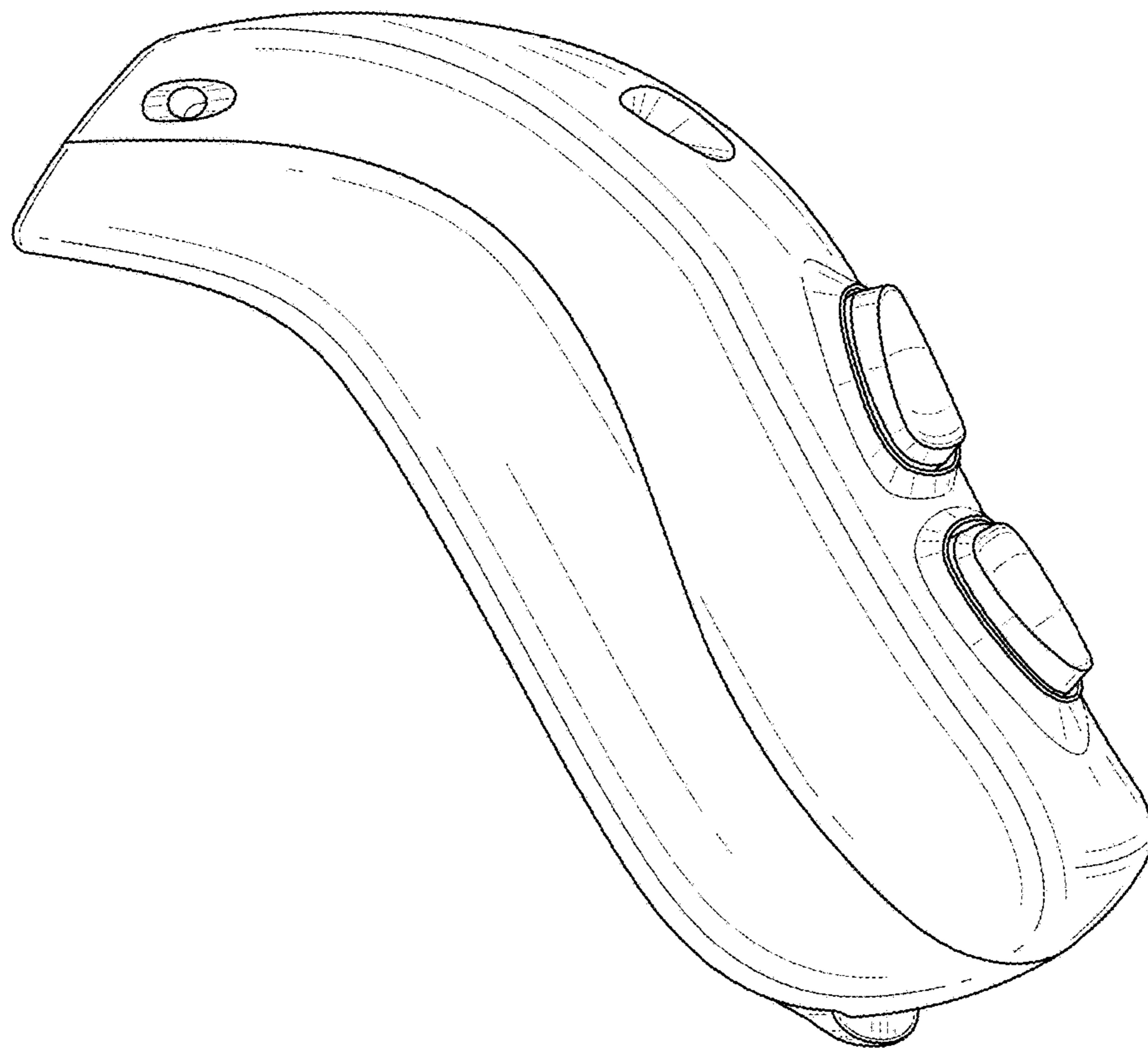


FIG. 1

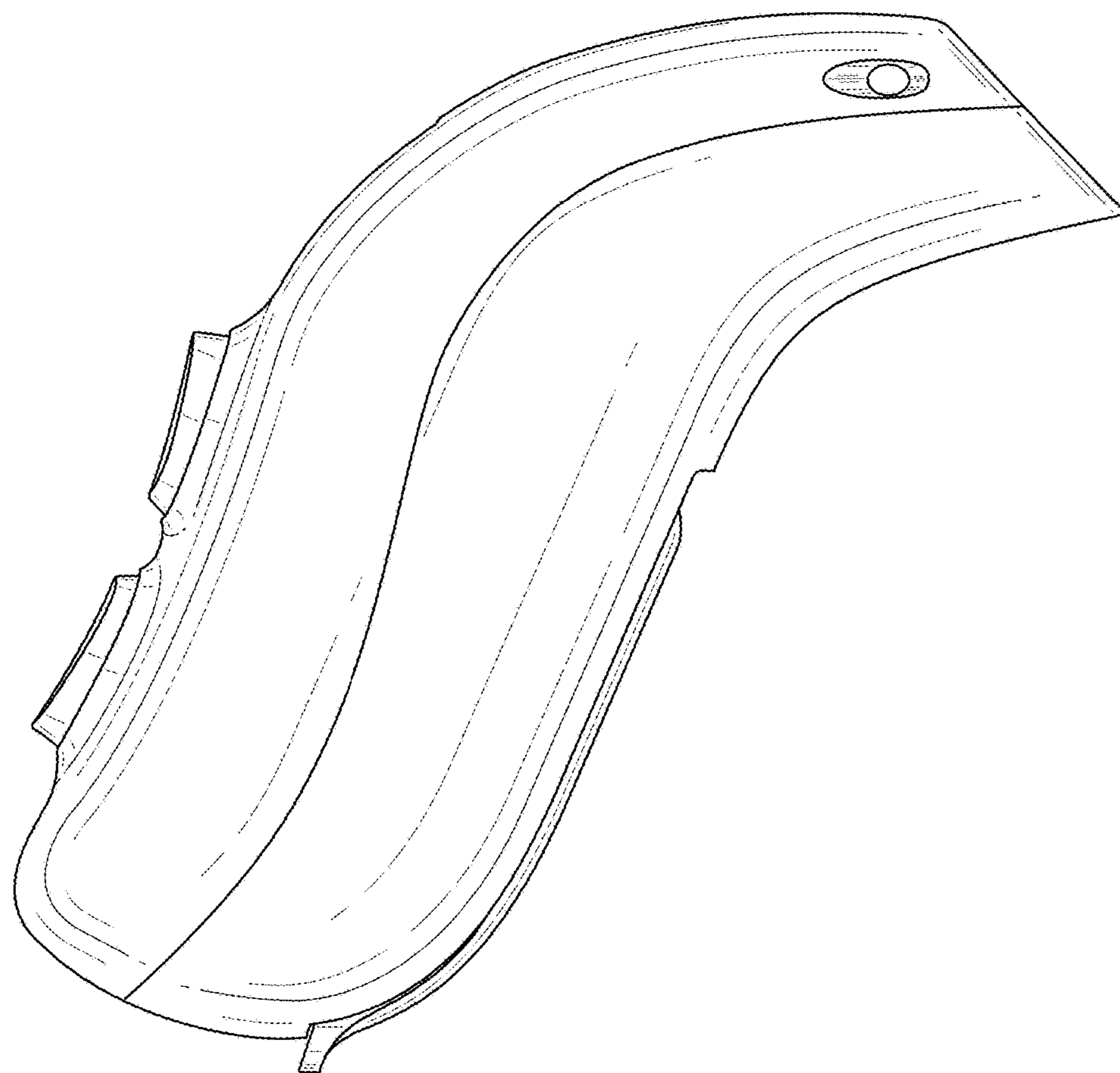


FIG. 2

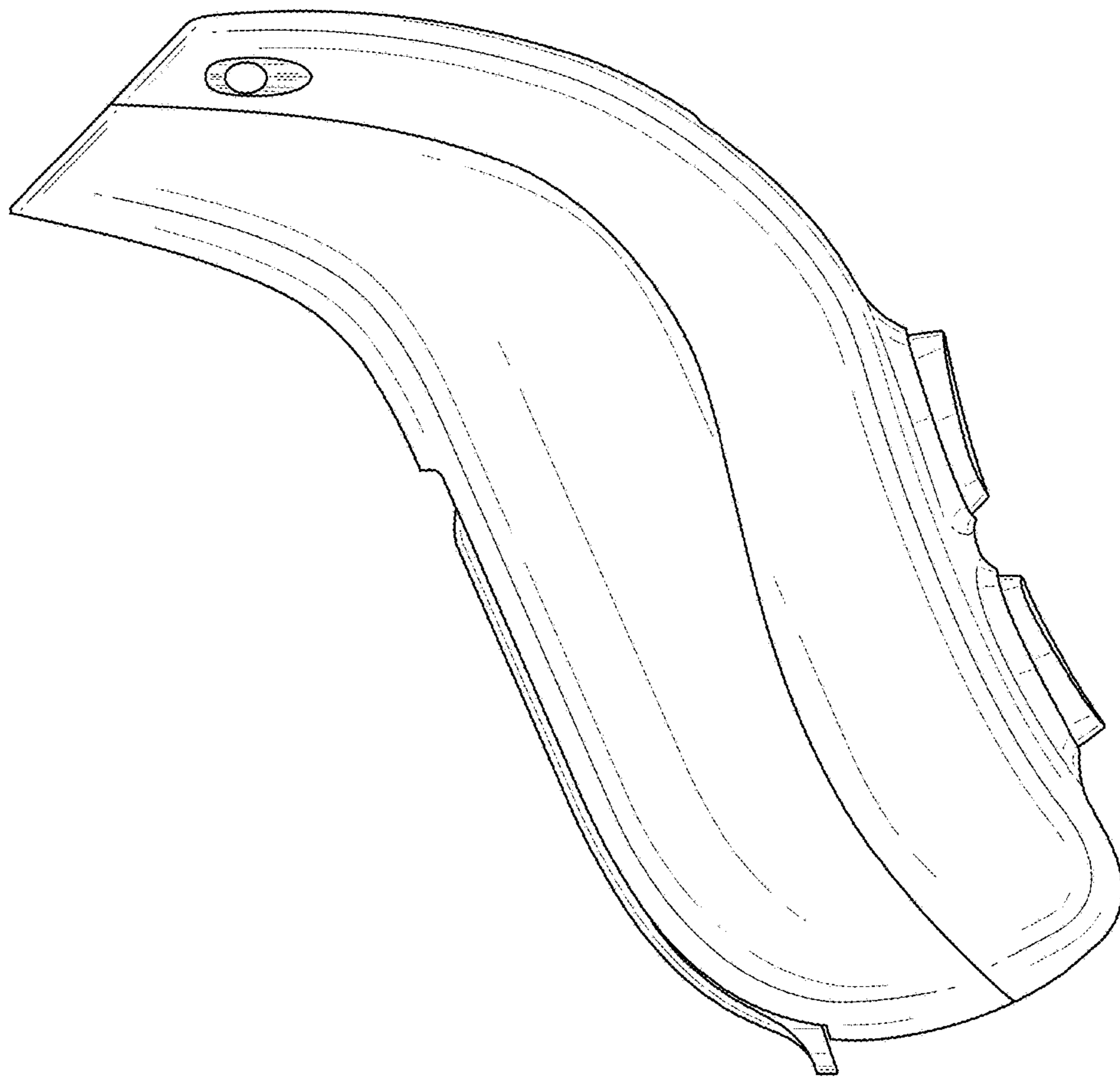


FIG. 3

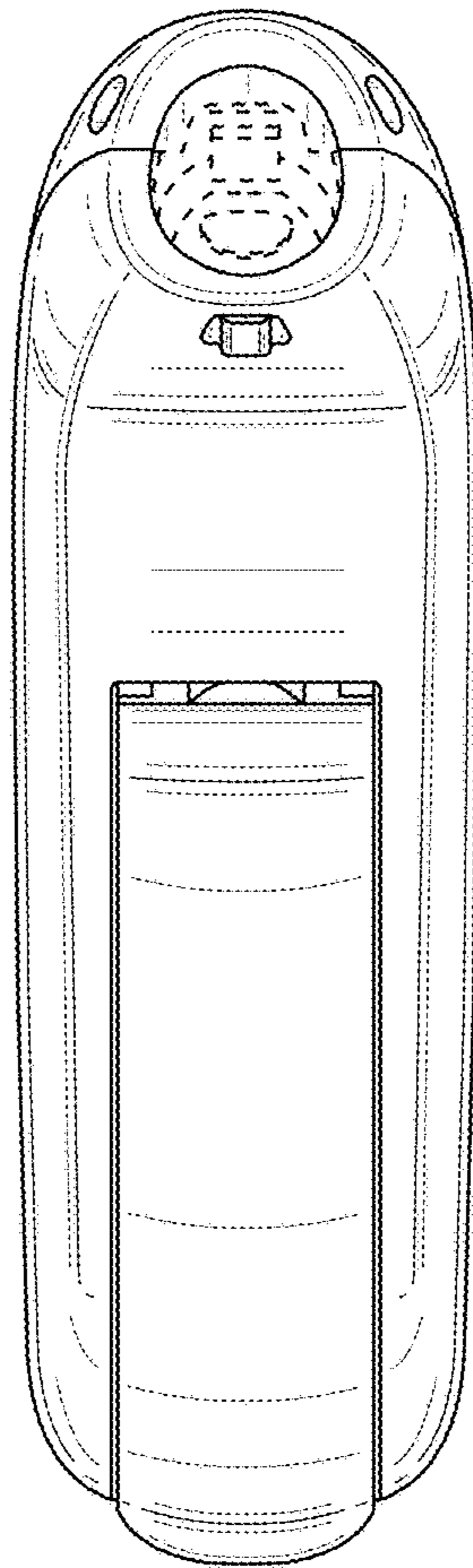


FIG. 4

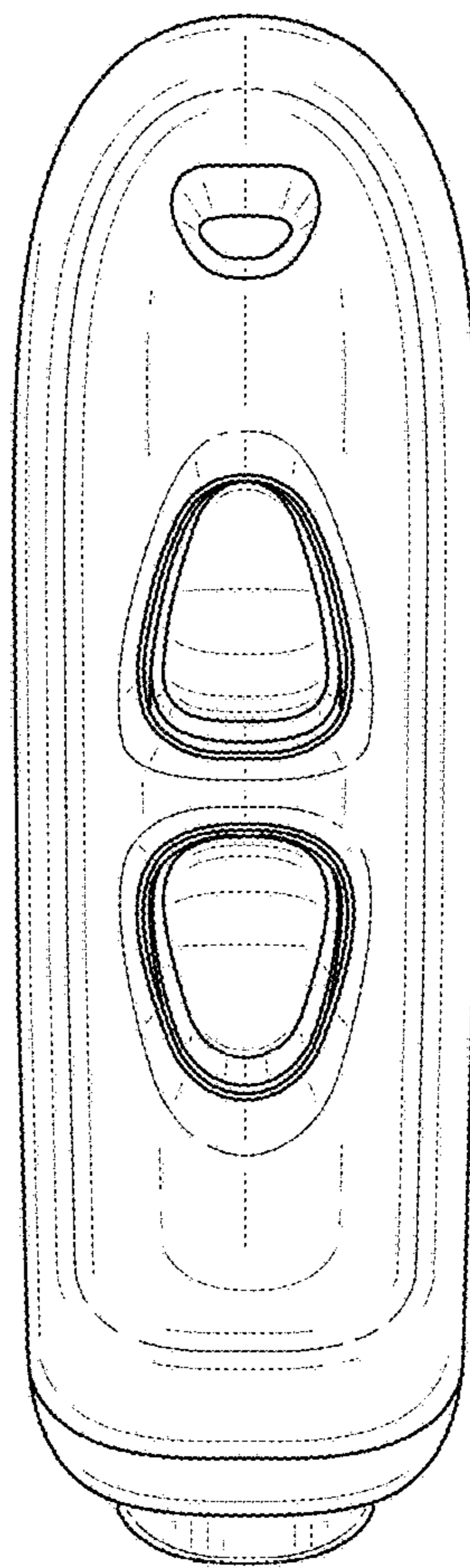


FIG. 5

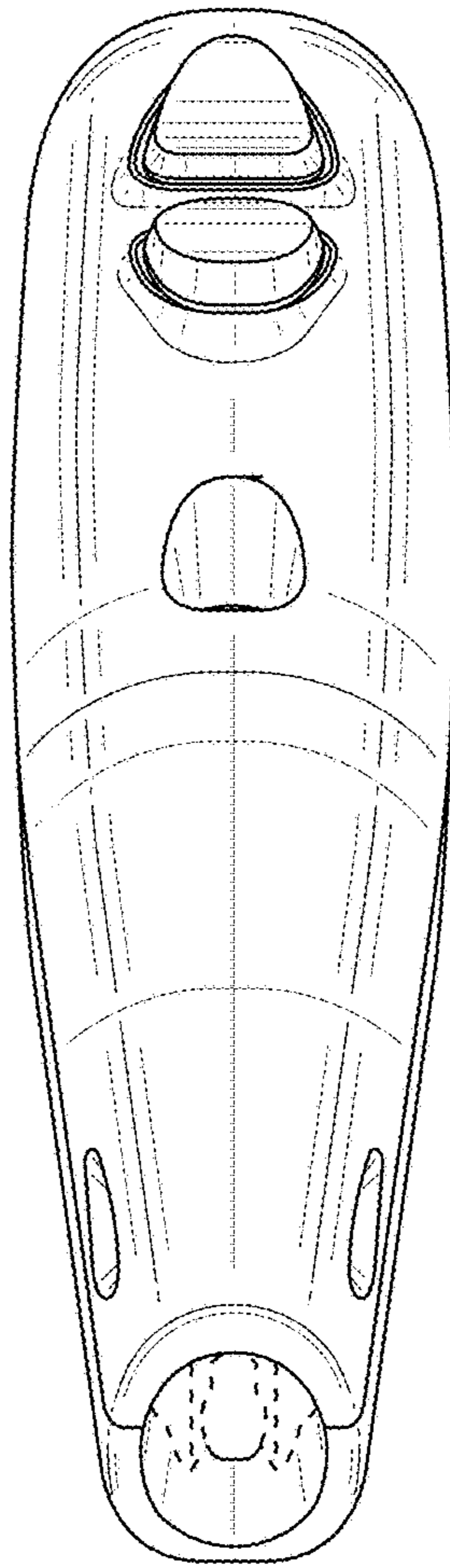


FIG. 6

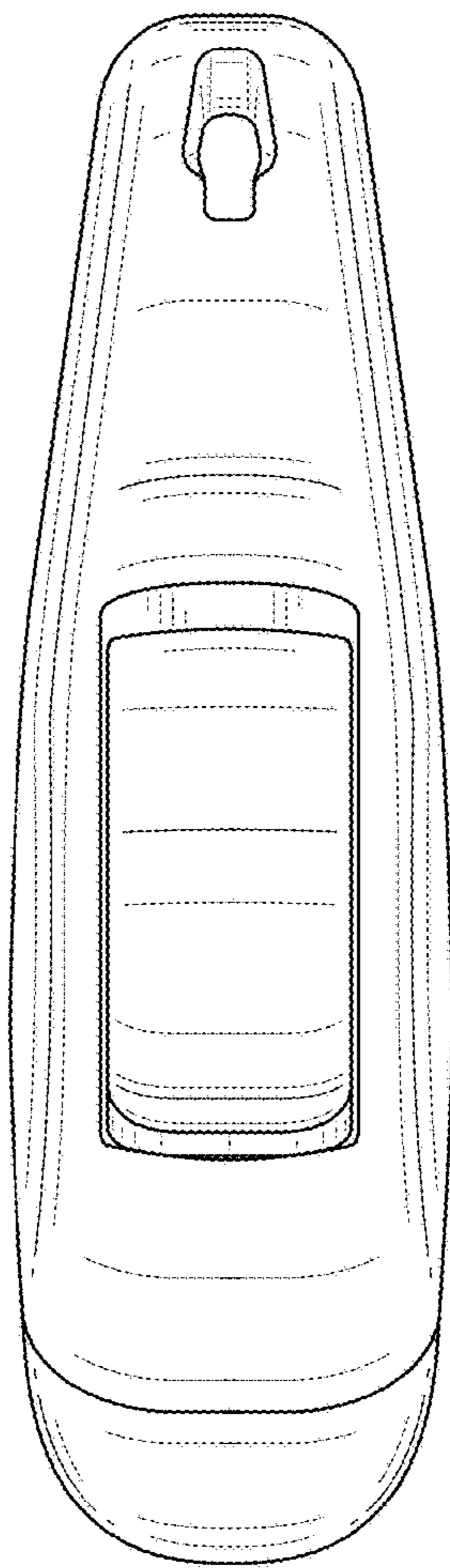


FIG. 7