



US00D855186S

(12) **United States Design Patent** (10) **Patent No.:** **US D855,186 S**
Donald (45) **Date of Patent:** **** Jul. 30, 2019**

(54) **WINDLASS**
(71) Applicant: **Mark L. Donald**, San Diego, CA (US)
(72) Inventor: **Mark L. Donald**, San Diego, CA (US)
(**) Term: **15 Years**
(21) Appl. No.: **29/615,727**
(22) Filed: **Aug. 30, 2017**
(51) **LOC (11) Cl.** **24-01**
(52) **U.S. Cl.**
USPC **D24/169**; D24/143
(58) **Field of Classification Search**
USPC D24/169, 143; D8/382, 354, 394, 356,
D8/360; D34/32, 33
CPC ... B63B 21/22; B63B 35/7933; F16H 37/041;
B66D 1/00; B66D 3/02; B66D 3/04;
B66D 2700/02; B66D 2700/026; A61B
17/1327; A61B 17/1322
See application file for complete search history.

(56) **References Cited**

U.S. PATENT DOCUMENTS

D289,373 S * 4/1987 Kimball 24/130
D303,352 S * 9/1989 Glahn D8/360
D401,559 S * 11/1998 Angell D13/154
D534,788 S * 1/2007 Stewart D8/360
D640,530 S * 6/2011 Perez D8/356
8,348,970 B2 1/2013 Janota
D739,027 S * 9/2015 Johnson D24/169
9,730,703 B2 * 8/2017 Rose A61B 17/1322
D826,408 S * 8/2018 Harder D24/169
D826,699 S * 8/2018 Potts D8/356
D828,564 S * 9/2018 Harder D24/169
D828,565 S * 9/2018 Harder D24/169
D828,566 S * 9/2018 Harder D24/169
D839,716 S * 2/2019 Gertsma D8/356

D839,719 S * 2/2019 Burrell D8/356
2016/0367262 A1 * 12/2016 Burke A61B 17/1322
2018/0257747 A1 * 9/2018 Haskins B63B 35/7933

* cited by examiner

Primary Examiner — Cynthia Ramirez

(74) *Attorney, Agent, or Firm* — Richard A. Ryan

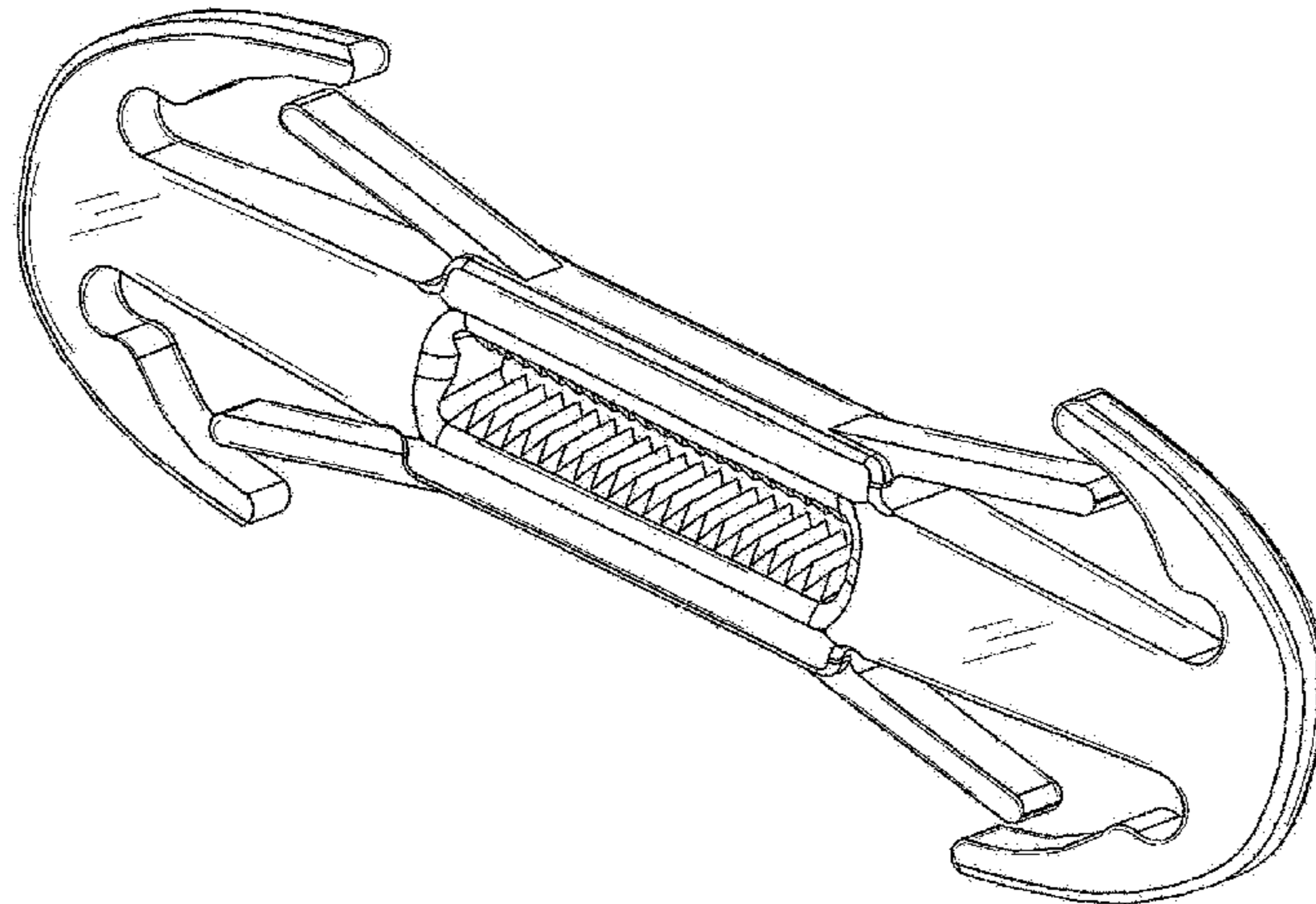
(57) **CLAIM**

The ornamental design for a windlass, as shown and described.

DESCRIPTION

FIG. 1 is a side perspective view of a first embodiment of the windlass of the present invention showing the Applicant's new design;
FIG. 2 is a front view of the windlass of FIG. 1;
FIG. 3 is a back view of the windlass of FIG. 1;
FIG. 4 is a right side elevation view of the windlass of FIG. 1;
FIG. 5 is a left side elevation view of the windlass of FIG. 1;
FIG. 6 is a top plan view of the windlass of FIG. 1;
FIG. 7 is a bottom plan view of the windlass of FIG. 1;
FIG. 8 is a side perspective view of a second embodiment of the windlass of the present invention showing the Applicant's new design;
FIG. 9 is a front view of the windlass of FIG. 8;
FIG. 10 is a back view of the windlass of FIG. 8;
FIG. 11 is a right side elevation view of the windlass of FIG. 8;
FIG. 12 is a left side elevation view of the windlass of FIG. 8;
FIG. 13 is a top plan view of the windlass of FIG. 8; and,
FIG. 14 is a bottom plan view of the windlass of FIG. 8.

1 Claim, 4 Drawing Sheets



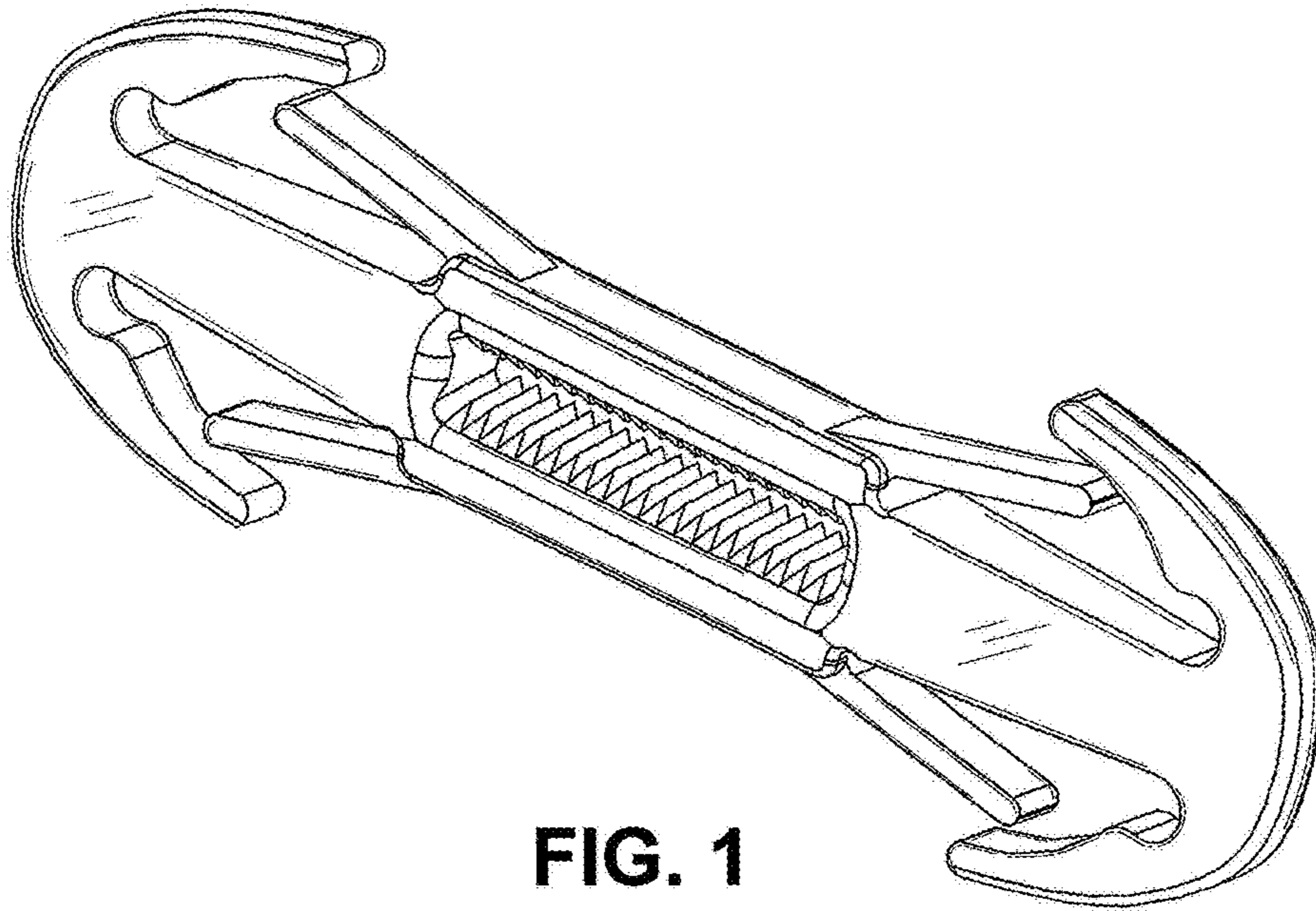


FIG. 1

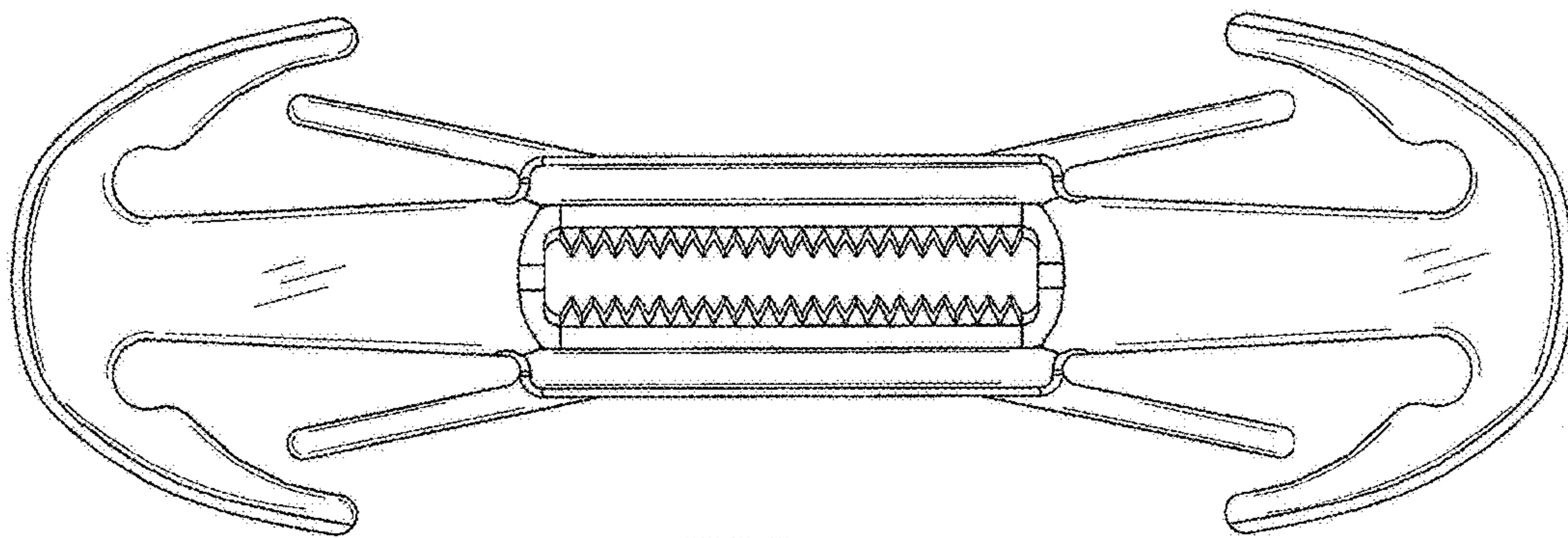


FIG. 2

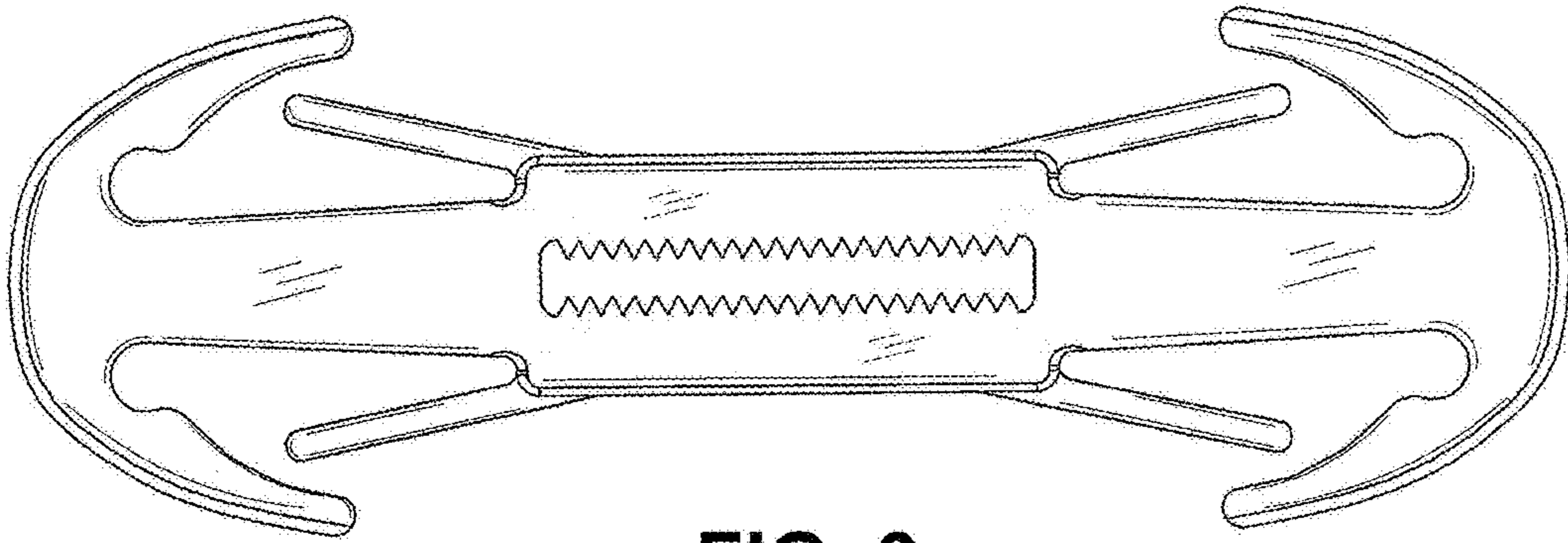


FIG. 3



FIG. 4

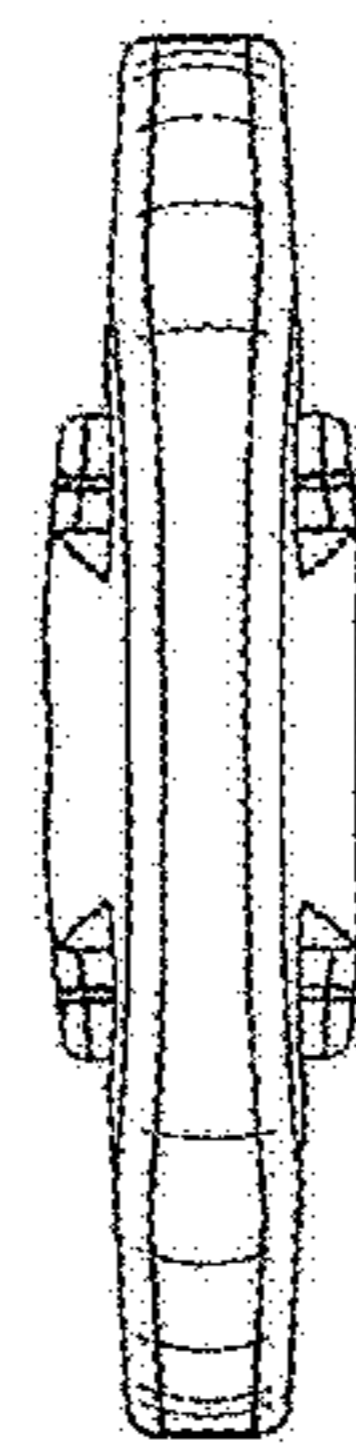


FIG. 5

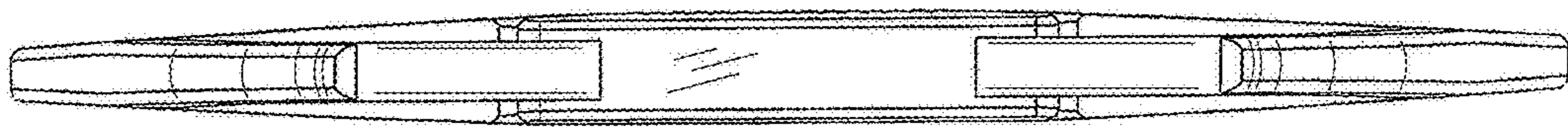


FIG. 6

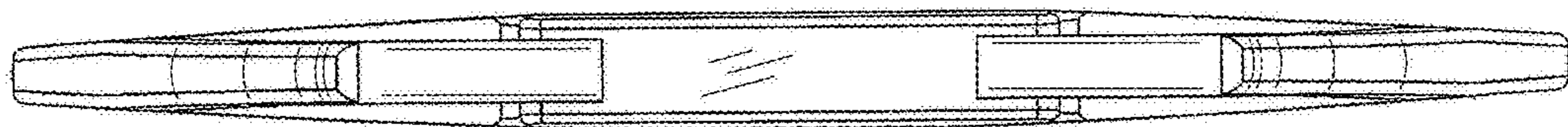


FIG. 7

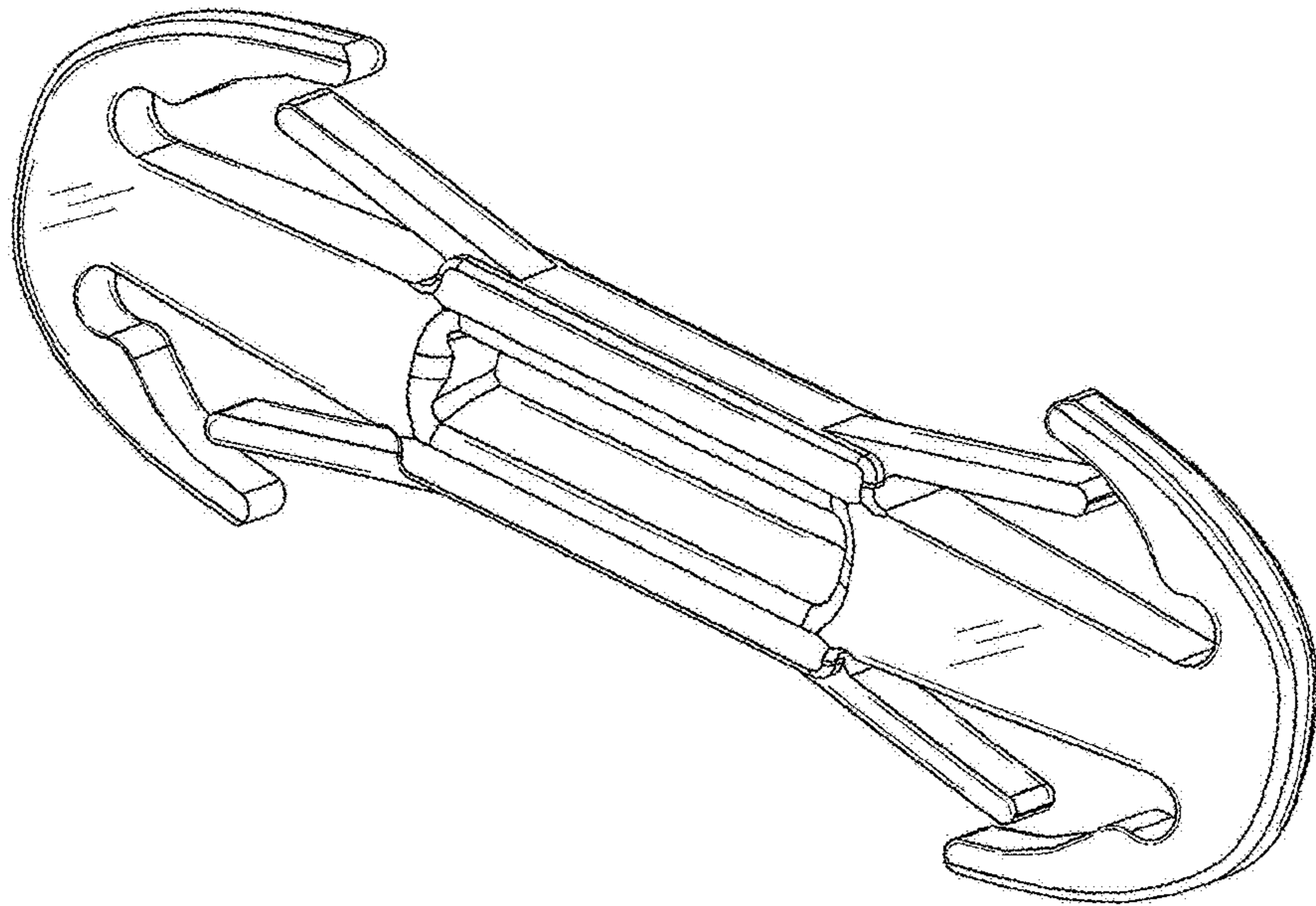


FIG. 8

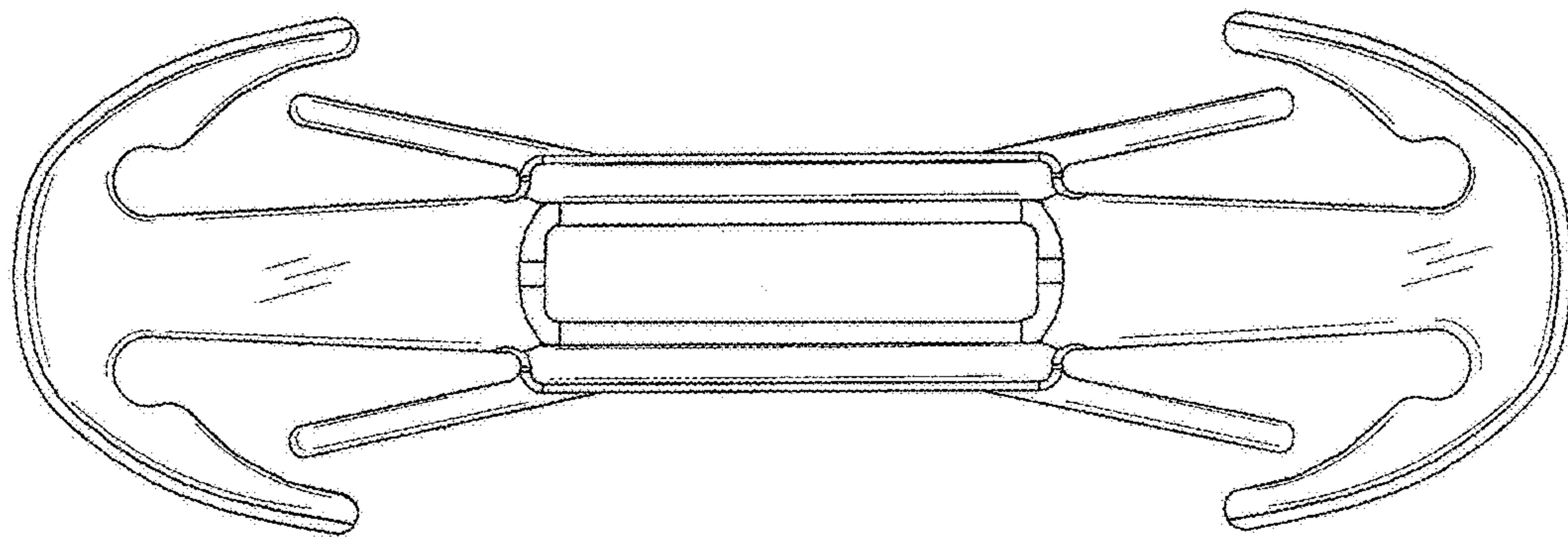


FIG. 9

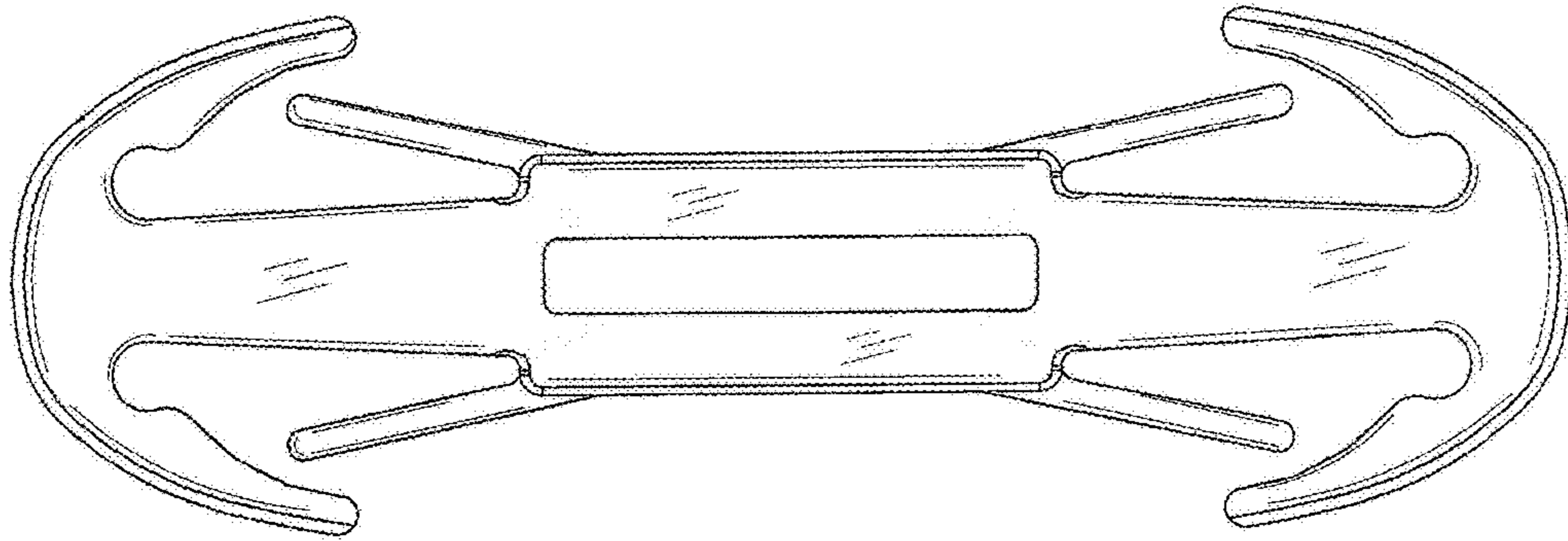


FIG. 10



FIG. 11



FIG. 12



FIG. 13

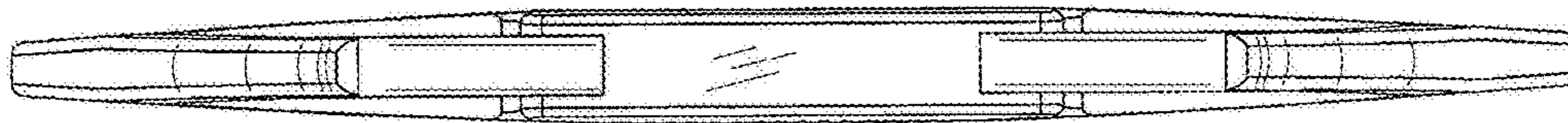


FIG. 14