



US00D855184S

(12) **United States Design Patent** (10) **Patent No.:** **US D855,184 S**
Predick (45) **Date of Patent:** **** Jul. 30, 2019**

- (54) **IMPLANT FOR BONE FIXATION**
- (71) Applicant: **Life Spine, Inc.**, Huntley, IL (US)
- (72) Inventor: **Daniel Predick**, Chicago, IL (US)
- (73) Assignee: **Life Spine, Inc.**, Huntley, IL (US)
- (**) Term: **15 Years**
- (21) Appl. No.: **29/668,728**
- (22) Filed: **Nov. 1, 2018**

- 4,794,918 A 1/1989 Wolter
- 4,808,185 A 2/1989 Penenberg et al.
- 4,904,261 A 2/1990 Dove et al.
- D313,471 S 1/1991 Bremer et al.
- 5,197,839 A 3/1993 Willey et al.
- (Continued)

FOREIGN PATENT DOCUMENTS

- CH 674927 A5 8/1990
- DE 2933141 A1 4/1980
- (Continued)

OTHER PUBLICATIONS

International Search Report for International Application No. PCT/US04/43172, dated Nov. 1, 2005, 4 pages.
(Continued)

Primary Examiner — Charles D Hanson
(74) *Attorney, Agent, or Firm* — Foley & Lardner LLP

(57) **CLAIM**

I claim the ornamental design for an implant for bone fixation, as shown and described.

DESCRIPTION

FIG. 1 is a perspective view of an embodiment of the claimed design;
FIG. 2 is a perspective view thereof shown with one screw inserted therein and one screw exploded therefrom;
FIG. 3 is another perspective view thereof with two screws inserted therein;
FIG. 4 is a top end view thereof; and,
FIG. 5 is an end view thereof.

The ornamental design which is claimed is shown in solid lines in the drawings. The broken lines in the drawings are for illustrative purposes only and form no part of the claimed design. Broken lines formed by equal length dashes show unclaimed subject matter.

1 Claim, 3 Drawing Sheets

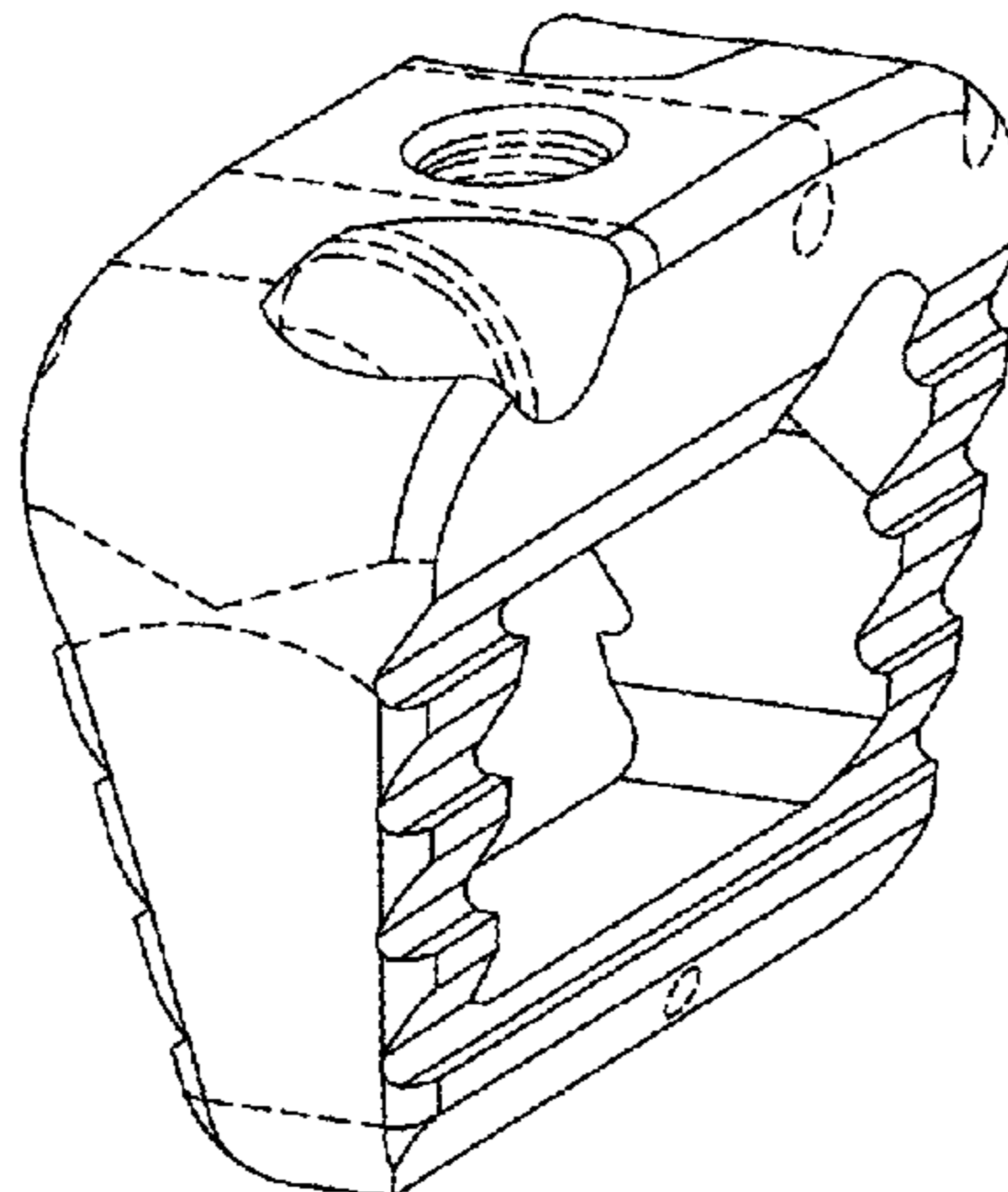
Related U.S. Application Data

- (63) Continuation of application No. 15/868,438, filed on Jan. 11, 2018, now Pat. No. 10,117,691, which is a continuation of application No. 14/616,239, filed on Feb. 6, 2015, now Pat. No. 9,877,759.
- (51) **LOC (11) Cl.** **24-03**
- (52) **U.S. Cl.**
USPC **D24/155**
- (58) **Field of Classification Search**
USPC D24/155–157
CPC A61F 2/4611; A61F 2/442; A61F 2/447;
A61F 2220/0025; A61F 2310/00023;
A61F 2310/00017; A61F 2002/4475;
A61F 2002/30841; A61F 2002/2835;
A61F 2002/30904; A61F 2002/30785;
A61F 2002/443; A61F 2002/30578
See application file for complete search history.

(56) **References Cited**

U.S. PATENT DOCUMENTS

- 1,919,728 A 7/1933 Kellogg
- 2,383,141 A 8/1945 Maage, Jr.
- 2,401,856 A 6/1946 Brock
- 3,741,205 A 6/1973 Markolf et al.
- 4,175,555 A 11/1979 Herbert
- 4,298,993 A 11/1981 Kovaleva et al.
- 4,388,921 A 6/1983 Sutter et al.



(56)

References Cited

U.S. PATENT DOCUMENTS

5,364,399 A	11/1994	Lowery et al.	9,713,537 B2	7/2017	Bray
5,417,692 A	5/1995	Goble et al.	9,877,759 B2	1/2018	Predick
5,514,180 A	5/1996	Heggeness et al.	2001/0041894 A1	11/2001	Campbell et al.
5,534,027 A	7/1996	Hodorek	2002/0004683 A1	1/2002	Michelson
5,620,448 A	4/1997	Puddu	2002/0045896 A1	4/2002	Michelson
5,766,251 A	6/1998	Koshino	2002/0045899 A1	4/2002	Errico et al.
5,888,223 A	3/1999	Bray, Jr.	2002/0111630 A1	8/2002	Ralph et al.
5,951,558 A	9/1999	Fiz	2002/0120273 A1	8/2002	Needham et al.
6,086,593 A	7/2000	Bonutti	2002/0128655 A1	9/2002	Michelson
6,099,531 A	8/2000	Bonutti	2002/0143336 A1	10/2002	Hearn
6,139,550 A	10/2000	Michelson	2002/0147450 A1	10/2002	Lehuc et al.
6,152,927 A	11/2000	Farris et al.	2002/0151899 A1	10/2002	Bailey et al.
6,193,721 B1	2/2001	Michelson	2002/0183754 A1	12/2002	Michelson
6,224,602 B1	5/2001	Hayes	2002/0183755 A1	12/2002	Michelson
6,228,085 B1	5/2001	Theken et al.	2002/0183756 A1	12/2002	Michelson
6,234,034 B1	5/2001	Ando	2002/0183757 A1	12/2002	Michelson
6,235,034 B1	5/2001	Bray	2002/0188296 A1	12/2002	Michelson
6,258,089 B1	7/2001	Campbell et al.	2003/0023242 A1	1/2003	Harrington
6,273,889 B1	8/2001	Richelsoph	2003/0040749 A1	2/2003	Grabowski et al.
6,306,136 B1	10/2001	Baccelli	2003/0060828 A1	3/2003	Michelson
6,364,881 B1	4/2002	Apgar et al.	2003/0083658 A1	5/2003	Hawkes et al.
6,398,783 B1	6/2002	Michelson	2003/0105462 A1	6/2003	Haider
6,402,756 B1	6/2002	Ralph et al.	2003/0105526 A1	6/2003	Bryant et al.
6,413,259 B1	7/2002	Lyons et al.	2003/0105526 A1	6/2003	Bryant et al.
6,423,063 B1	7/2002	Bonutti	2004/0034356 A1	2/2004	Lehuc et al.
6,428,542 B1	8/2002	Michelson	2004/0068319 A1	4/2004	Cordaro
6,432,106 B1	8/2002	Fraser	2004/0087951 A1	5/2004	Khalili
6,436,146 B1	8/2002	Hassler et al.	2004/0102773 A1	5/2004	Morrison et al.
6,447,544 B1	9/2002	Michelson	2004/0122426 A1	6/2004	Michelson
6,454,769 B2	9/2002	Wagner et al.	2004/0127896 A1	7/2004	Lombardo et al.
6,458,134 B1	10/2002	Songer et al.	2004/0127897 A1	7/2004	Freid et al.
6,503,250 B2	1/2003	Paul	2004/0127899 A1	7/2004	Konieczynski et al.
6,533,786 B1	3/2003	Needham et al.	2004/0181226 A1	9/2004	Michelson
6,599,290 B2	7/2003	Bailey et al.	2004/0181229 A1	9/2004	Michelson
6,602,257 B1	8/2003	Thramann	2004/0186476 A1	9/2004	Michelson
6,620,163 B1	9/2003	Michelson	2004/0204712 A1	10/2004	Kolb et al.
6,629,998 B1	10/2003	Lin	2004/0220571 A1	11/2004	Assaker et al.
6,669,700 B1	12/2003	Farris et al.	2004/0220572 A1	11/2004	Michelson
6,695,846 B2	2/2004	Richelsoph et al.	2004/0236335 A1	11/2004	Michelson
6,730,127 B2	5/2004	Michelson	2005/0027297 A1	2/2005	Michelson
D510,260 S	10/2005	Jennings et al.	2005/0027298 A1	2/2005	Michelson
6,974,460 B2	12/2005	Carbone et al.	2005/0033298 A1	2/2005	Hawkes et al.
7,001,385 B2	2/2006	Bonutti	2005/0043732 A1	2/2005	Dalton
7,018,416 B2 *	3/2006	Hanson A61B 17/1671 623/17.16	2005/0059971 A1	3/2005	Michelson
7,077,864 B2	7/2006	Byrd et al.	2005/0075633 A1	4/2005	Ross
7,232,463 B2	6/2007	Falahee	2006/0085071 A1 *	4/2006	Lechmann A61B 17/86 623/17.11
7,780,670 B2	8/2010	Bonutti	2006/0162506 A1	7/2006	Kirchgaessler
D625,977 S	10/2010	Watson et al.	2006/0206208 A1	9/2006	Michelson
7,862,614 B2	1/2011	Keller et al.	2007/0038303 A1	2/2007	Myerson et al.
7,862,616 B2	1/2011	Lechmann et al.	2008/0149569 A1	6/2008	Rai et al.
7,892,261 B2	2/2011	Bonutti	2008/0249569 A1	10/2008	Waugh et al.
7,972,363 B2	7/2011	Moskowitz et al.	2008/0269758 A1 *	10/2008	Baynham A61F 2/4455 606/90
8,137,405 B2	3/2012	Kostuik et al.	2009/0088808 A1	4/2009	Lindemann et al.
D658,046 S	4/2012	Austin	2009/0088849 A1 *	4/2009	Armstrong A61F 2/4455 623/17.16
8,182,539 B2	5/2012	Tyber et al.	2009/0105830 A1	4/2009	Jones et al.
8,419,778 B2	4/2013	Barry	2009/0105831 A1 *	4/2009	Jones A61B 17/7059 623/17.16
8,419,797 B2	4/2013	Biedermann et al.	2009/0287249 A1	11/2009	Reynolds et al.
8,486,066 B2	7/2013	Bonutti	2010/0106249 A1	4/2010	Tyber et al.
8,529,611 B2	9/2013	Champagne et al.	2010/0145459 A1	6/2010	McDonough et al.
8,551,137 B2	10/2013	Cohen et al.	2010/0145460 A1	6/2010	McDonough et al.
8,603,145 B2	12/2013	Forton et al.	2010/0152785 A1	6/2010	Forton et al.
8,690,944 B2	4/2014	Bonutti	2010/0249935 A1 *	9/2010	Slivka A61F 2/447 623/17.16
D706,127 S	6/2014	Hohmann, Jr.	2010/0312345 A1	12/2010	Duffield et al.
8,784,498 B2	7/2014	Schelard	2011/0009966 A1	1/2011	Michelson
8,795,363 B2	8/2014	Bonutti	2011/0166658 A1	7/2011	Garber et al.
8,852,280 B2	10/2014	Armstrong et al.	2011/0178559 A1	7/2011	Barry
8,882,813 B2	11/2014	Jones et al.	2011/0230969 A1	9/2011	Biedermann et al.
8,956,417 B2	2/2015	Bonutti	2012/0065734 A1	3/2012	Barrett et al.
9,017,412 B2	4/2015	Wolters et al.	2012/0126532 A1	5/2012	Herndon
9,044,341 B2	6/2015	Bonutti	2012/0191211 A1	7/2012	Drozd
9,072,562 B2	7/2015	Weiner et al.	2012/0203348 A1	8/2012	Michelson
9,358,122 B2	6/2016	Soo	2012/0215318 A1	8/2012	Michelson
9,364,342 B2	6/2016	Walkenhorst et al.	2012/0232599 A1	9/2012	Schoenly et al.
9,381,049 B2	7/2016	McCormack et al.	2012/0265301 A1	10/2012	Demers et al.
			2013/0218279 A1	8/2013	Michelson

(56)

References Cited

U.S. PATENT DOCUMENTS

2013/0245688 A1 9/2013 Biedermann et al.
2013/0268008 A1 10/2013 McDonough et al.
2014/0142705 A1 5/2014 Duffield et al.
2014/0163684 A1 6/2014 Donner et al.
2014/0188239 A1 7/2014 Cummings
2014/0228959 A1* 8/2014 Niemiec A61F 2/4455
623/17.16
2014/0277186 A1 9/2014 Granberry et al.
2015/0012050 A1 1/2015 Anderson
2015/0025637 A1 1/2015 Moskowitz et al.
2015/0032115 A1 1/2015 Laposta et al.
2015/0164564 A1 6/2015 Reiley
2015/0216675 A1 8/2015 McDonough et al.
2015/0238317 A1 8/2015 Bonutti
2015/0305883 A1 10/2015 Garber et al.
2016/0228257 A1 8/2016 Predick et al.

FOREIGN PATENT DOCUMENTS

EP 0179695 A1 4/1986
EP 0313762 A1 5/1989
FR 2651996 A3 3/1991
WO WO 91/03994 A1 4/1991
WO WO 95/30389 A1 11/1995
WO WO 96/03096 A1 2/1996
WO WO 96/23457 A1 8/1996

OTHER PUBLICATIONS

Search Report and Written Opinion for International Application
No. PCT/US2016/045722, dated Nov. 16, 2016, 12 pages.

* cited by examiner

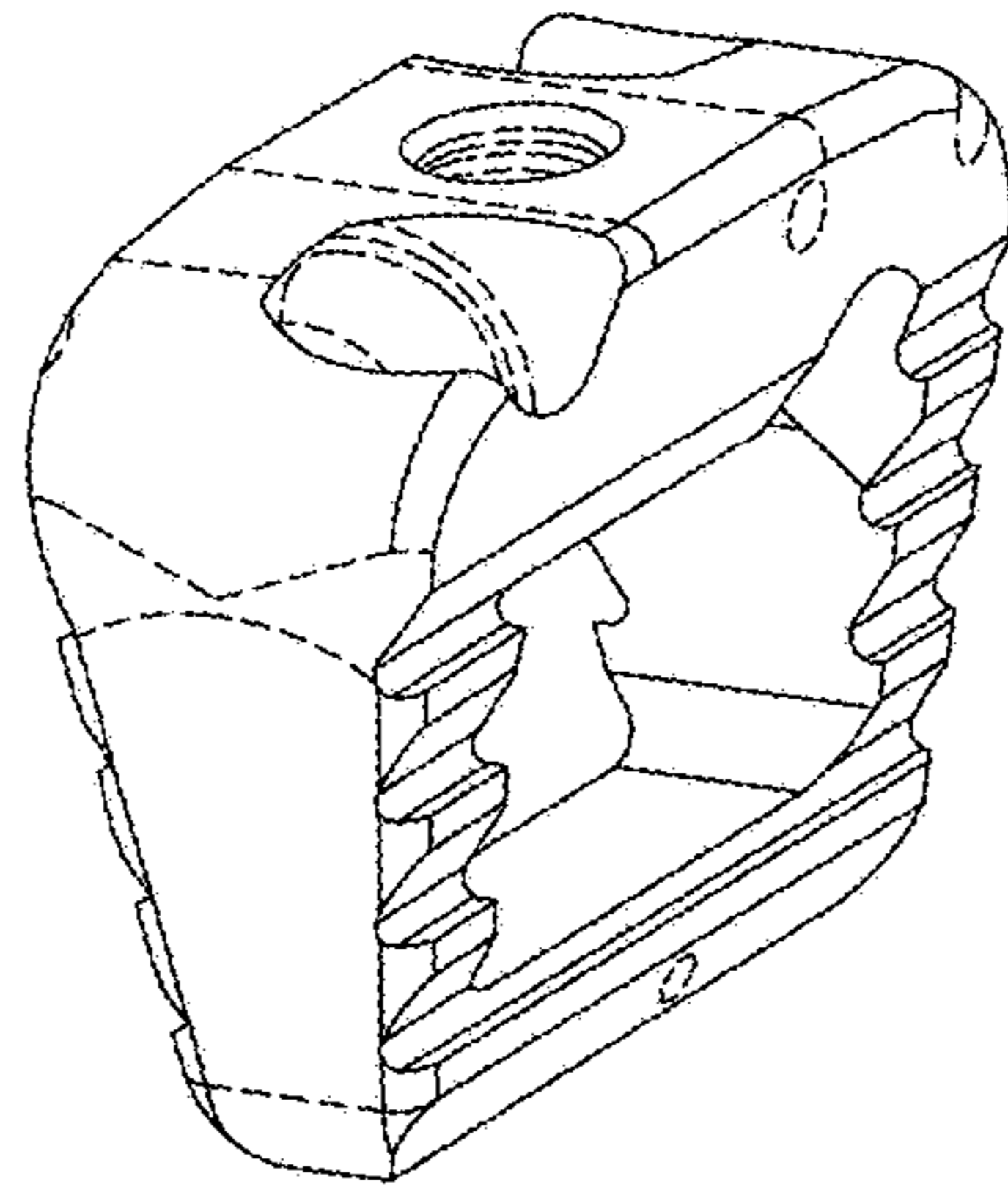


Fig. 1

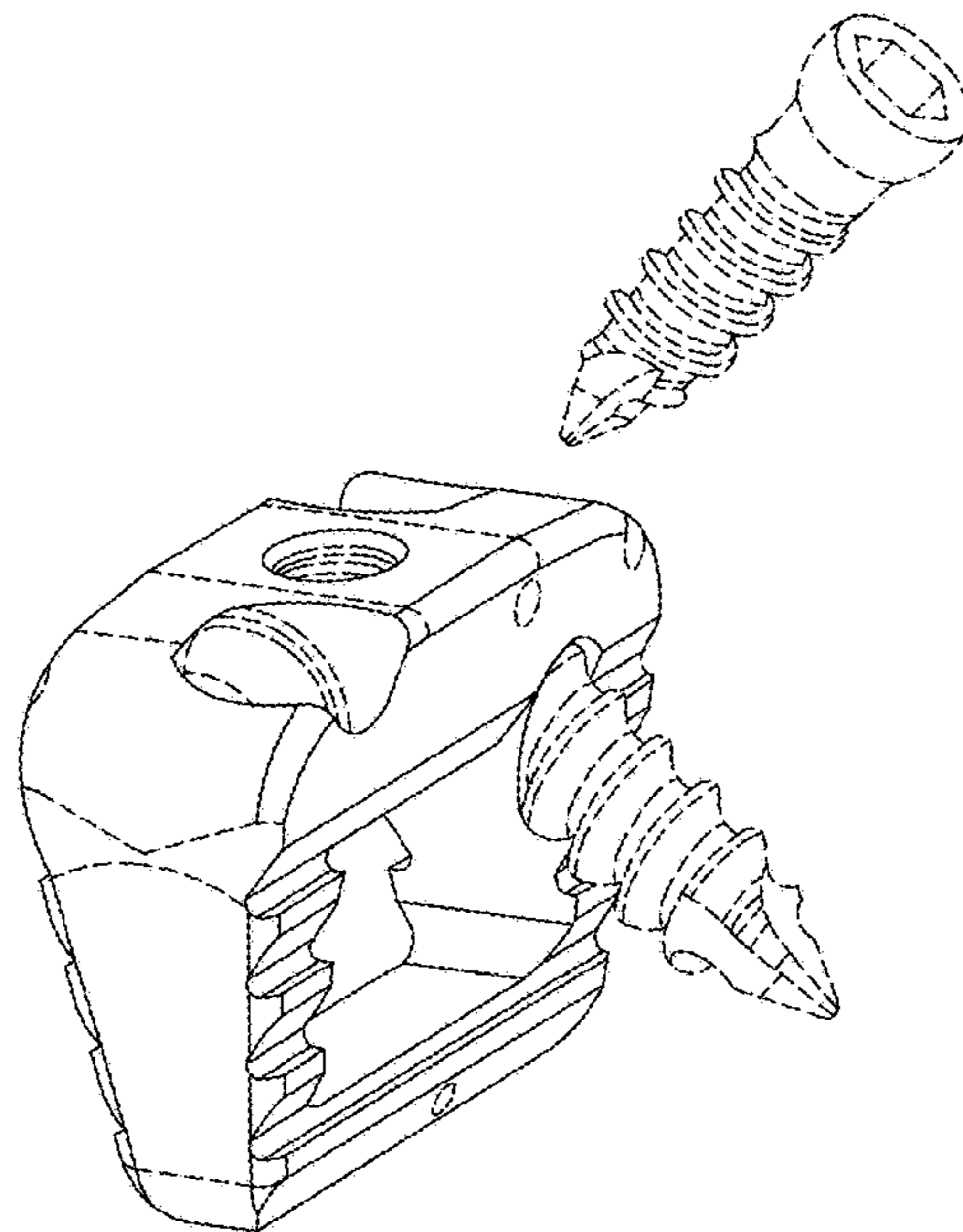


Fig. 2

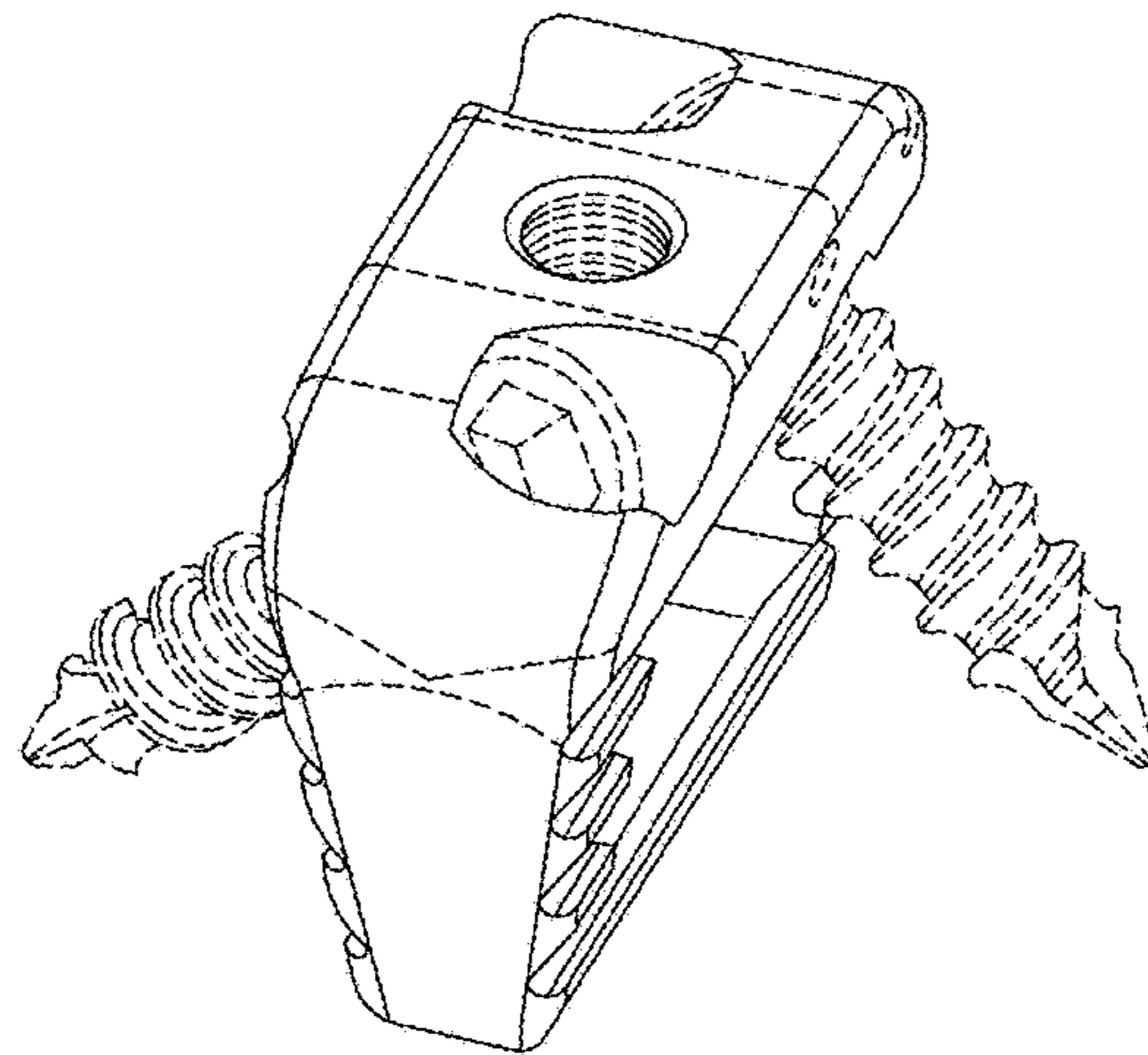


Fig. 3

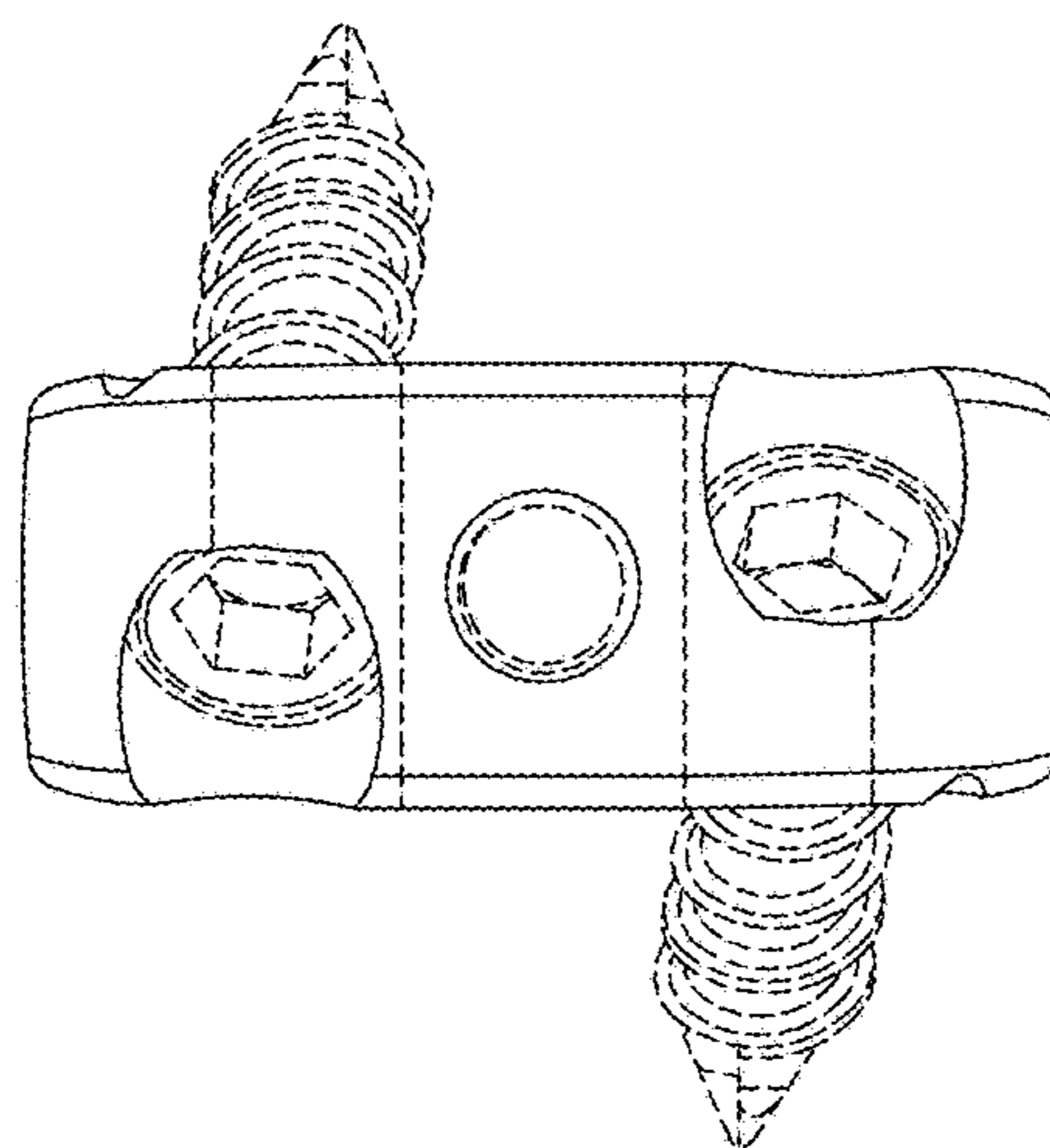


Fig. 4

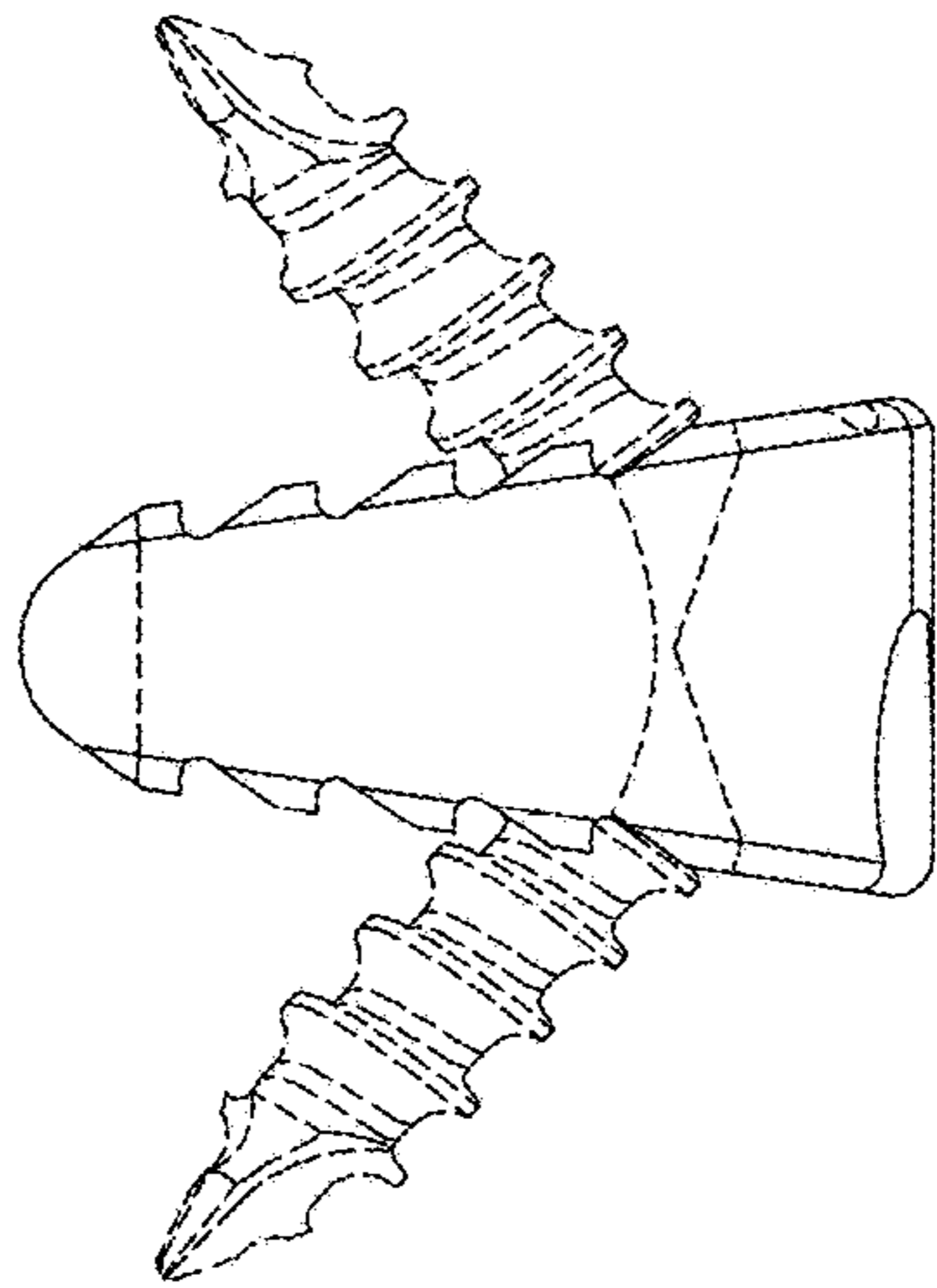


Fig. 5