



US00D855183S

(12) **United States Design Patent** (10) **Patent No.:** **US D855,183 S**
Alladu et al. (45) **Date of Patent:** **** *Jul. 30, 2019**

(54) **INTERFERENCE SCREW**
(71) Applicant: **Healthium Medtech Private Limited,**
Bangalore (IN)
(72) Inventors: **Hemanth Kumar Alladu,** Bangalore
(IN); **Vasuki BK,** Bangalore (IN);
Anoop Penupolu, Bangalore (IN);
Deepu B K Iyengar, Bangalore (IN)

(73) Assignee: **Healthium MedTech Pvt. Ltd.,**
Bangalore, Karnataka (IN)

(*) Notice: This patent is subject to a terminal disclaimer.

(**) Term: **15 Years**

(21) Appl. No.: **29/618,082**

(22) Filed: **Sep. 19, 2017**

(30) **Foreign Application Priority Data**

Sep. 19, 2017 (IN) 297664

(51) **LOC (11) Cl.** **24-03**

(52) **U.S. Cl.**
USPC **D24/155**

(58) **Field of Classification Search**
USPC D24/155-157
CPC ... A61C 13/225; A61C 8/0089; A61C 8/0069;
A61C 8/0054; A61C 8/00; A61C 8/0096;
A61C 8/0039; A61C 8/0063; A61C
8/006; A61C 8/0001; A61C 8/0012; A61C
8/0075; A61C 8/0083

See application file for complete search history.

(56) **References Cited**

U.S. PATENT DOCUMENTS

D414,556 S * 9/1999 Broberg D24/156
D507,650 S * 7/2005 Teich D24/156
D528,210 S * 9/2006 Boettcher D24/156

D604,413 S * 11/2009 Ikeya D24/156
D606,196 S * 12/2009 Fares D24/156
D663,032 S * 7/2012 Mashio D24/156
D663,419 S * 7/2012 Mashio D24/156
D733,885 S * 7/2015 Andersin D24/156
D752,756 S * 3/2016 Aravena D24/156
D783,823 S * 4/2017 Emanuelli D24/156
D783,825 S * 4/2017 Emanuelli D24/156
D785,179 S * 4/2017 Emanuelli D24/156
D808,016 S * 1/2018 Kim D24/156

* cited by examiner

Primary Examiner — Charles D Hanson

(74) *Attorney, Agent, or Firm* — Grandhi Law Chambers;
Krishna Grandhi

(57) **CLAIM**

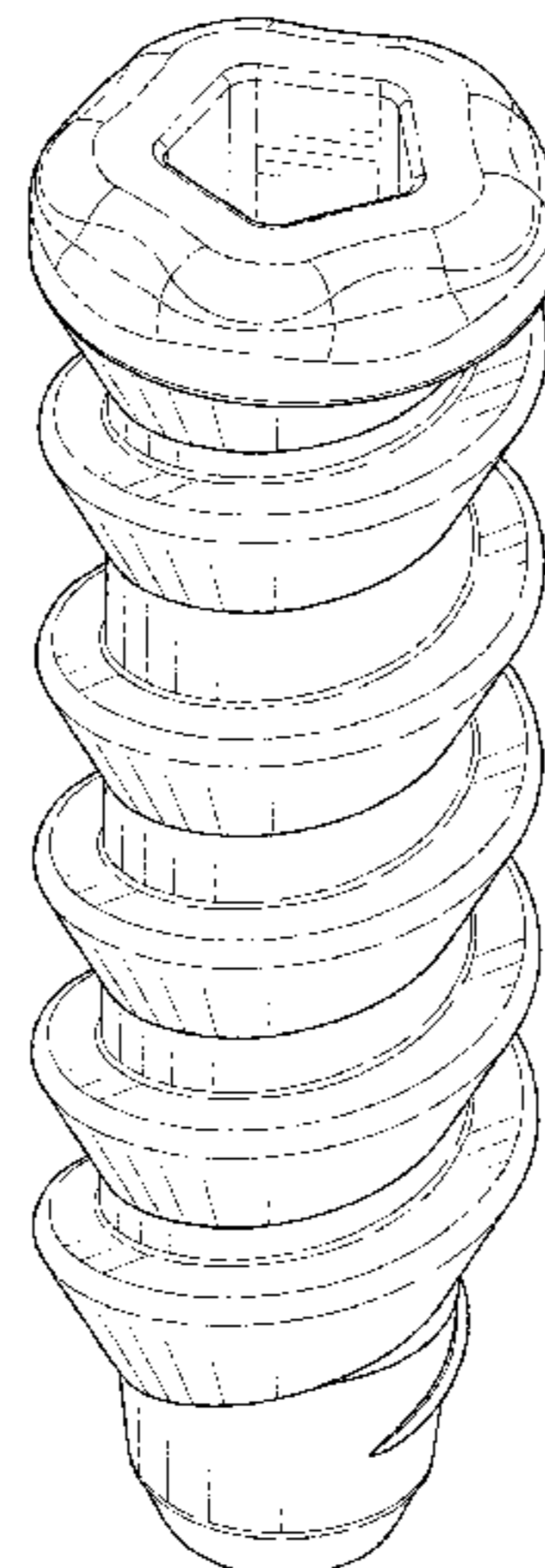
The ornamental design for an interference screw, as shown and described.

DESCRIPTION

FIG. 1 is a perspective view of an interference screw of the new design;
FIG. 2 is a front elevational view of the interference screw of FIG. 1;
FIG. 3 is a rear elevational view of the interference screw of FIG. 1;
FIG. 4 is a left-side elevational view of the interference screw of FIG. 1;
FIG. 5 is a right-side elevational view of the interference screw of FIG. 1;
FIG. 6 is a top plan view of the interference screw of FIG. 1;
FIG. 7 is a bottom plan view of the interference screw of FIG. 1; and,
FIG. 8 is a cross-sectional view of the interference screw of FIG. 1.

The broken lines shown in the drawings are included for purposes of illustrating portions of the design or environment and form no part of the claimed design.

1 Claim, 5 Drawing Sheets



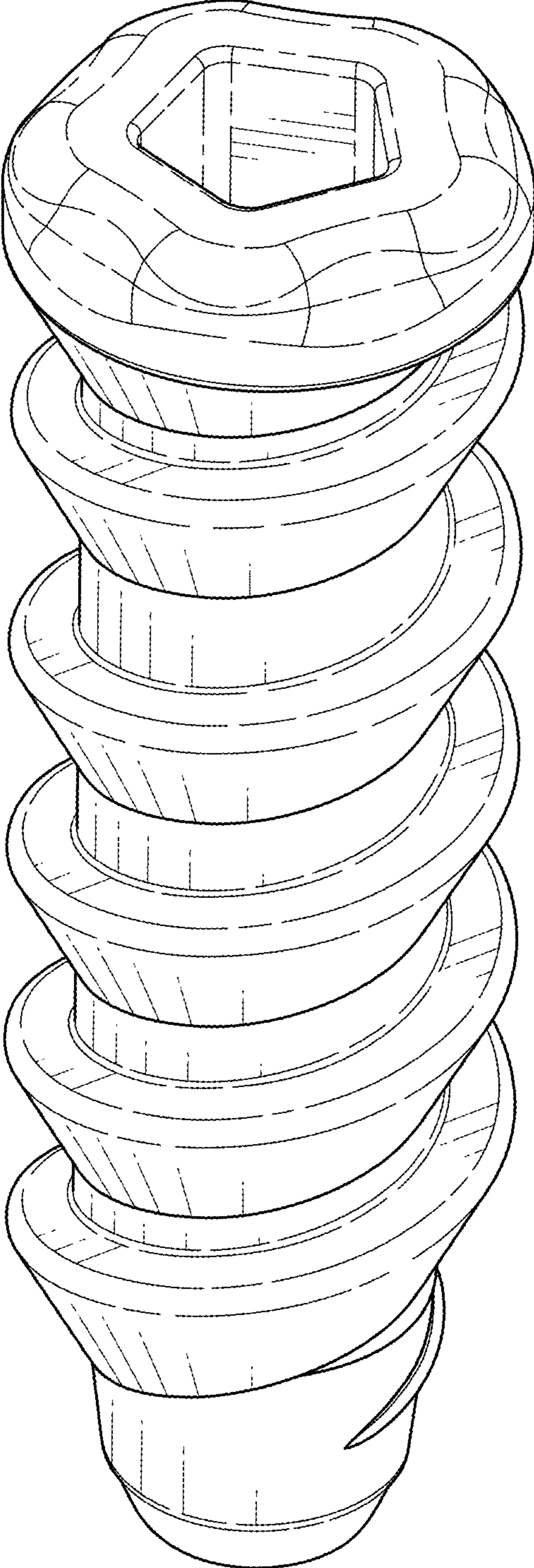


FIG. 1

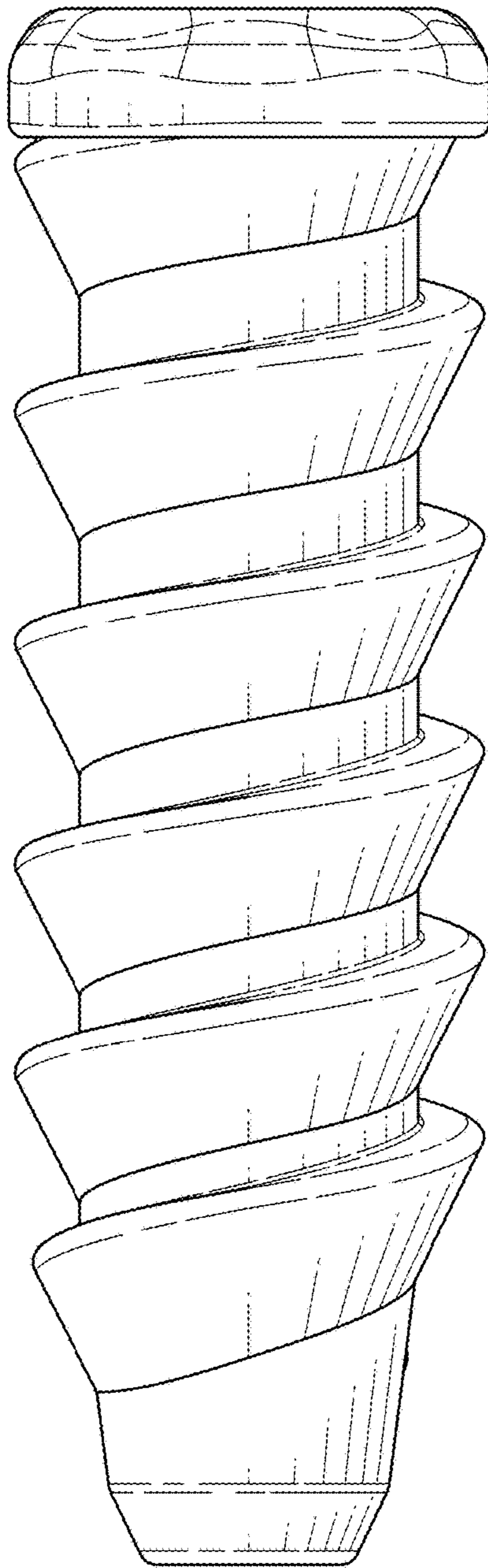


FIG. 2

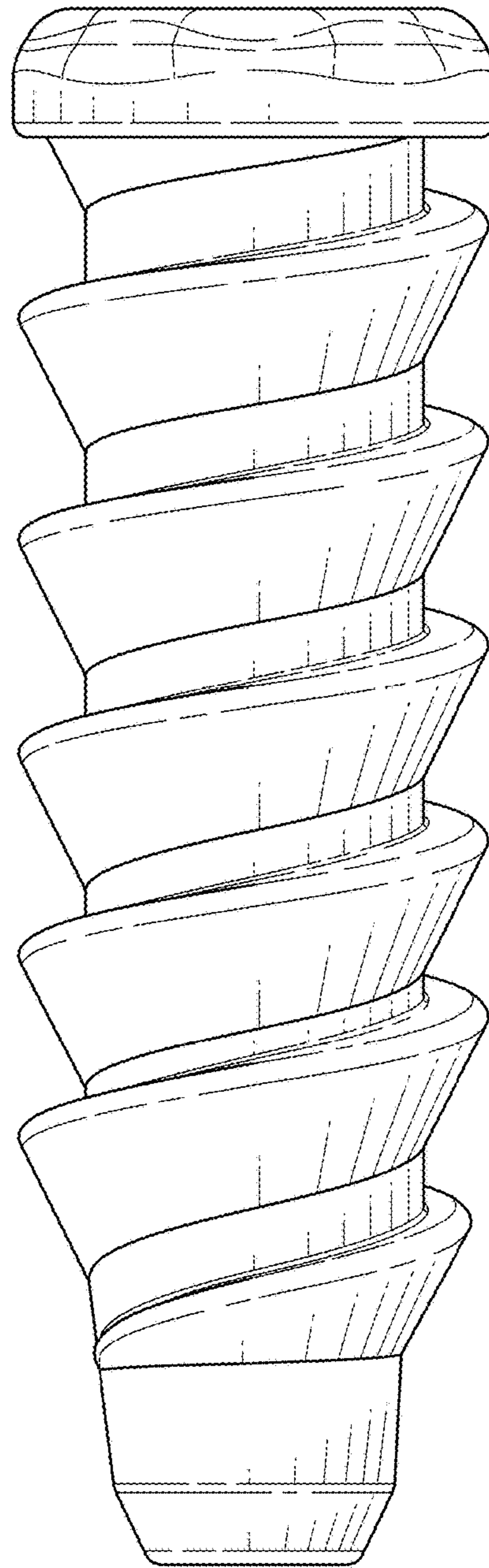


FIG. 3

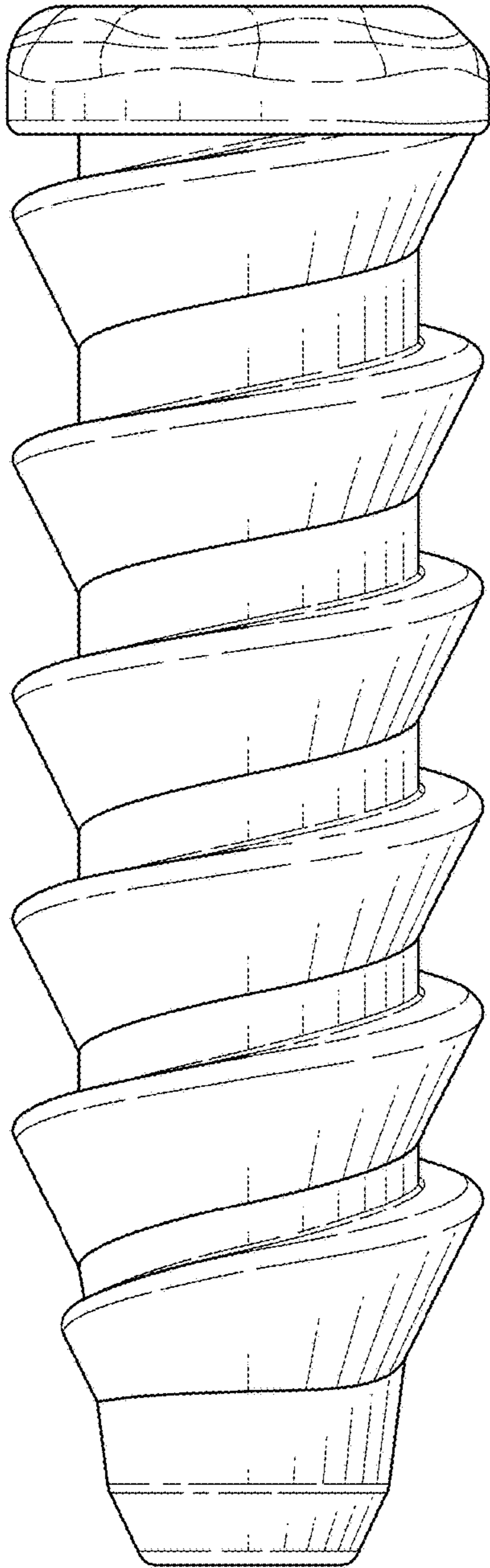


FIG. 4

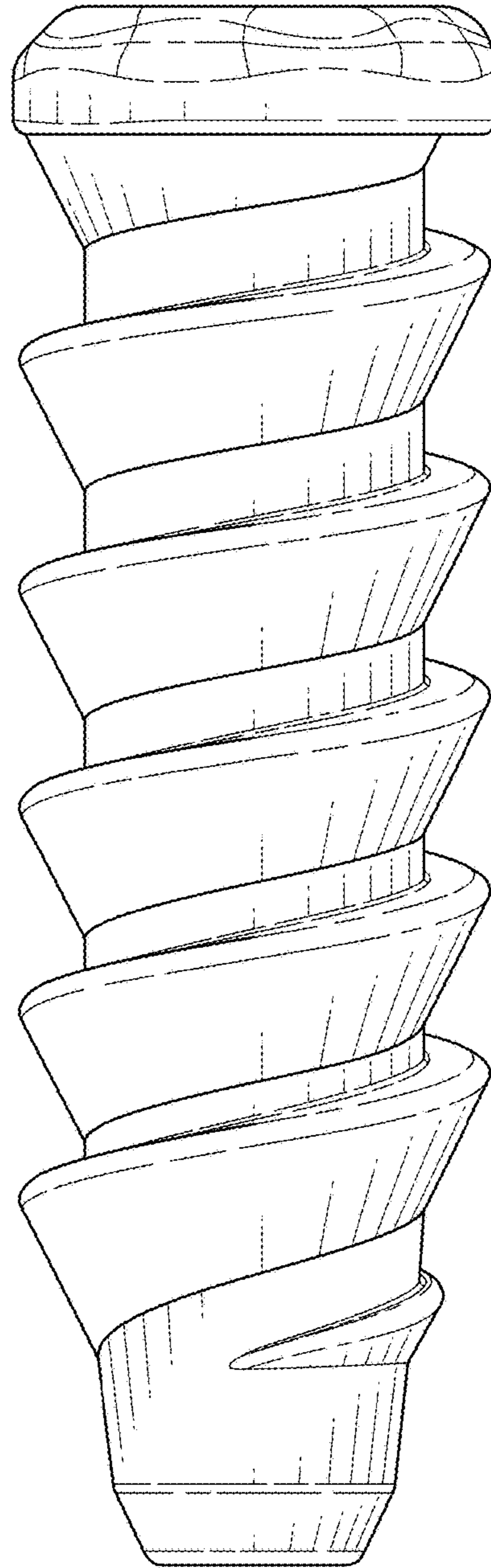


FIG. 5

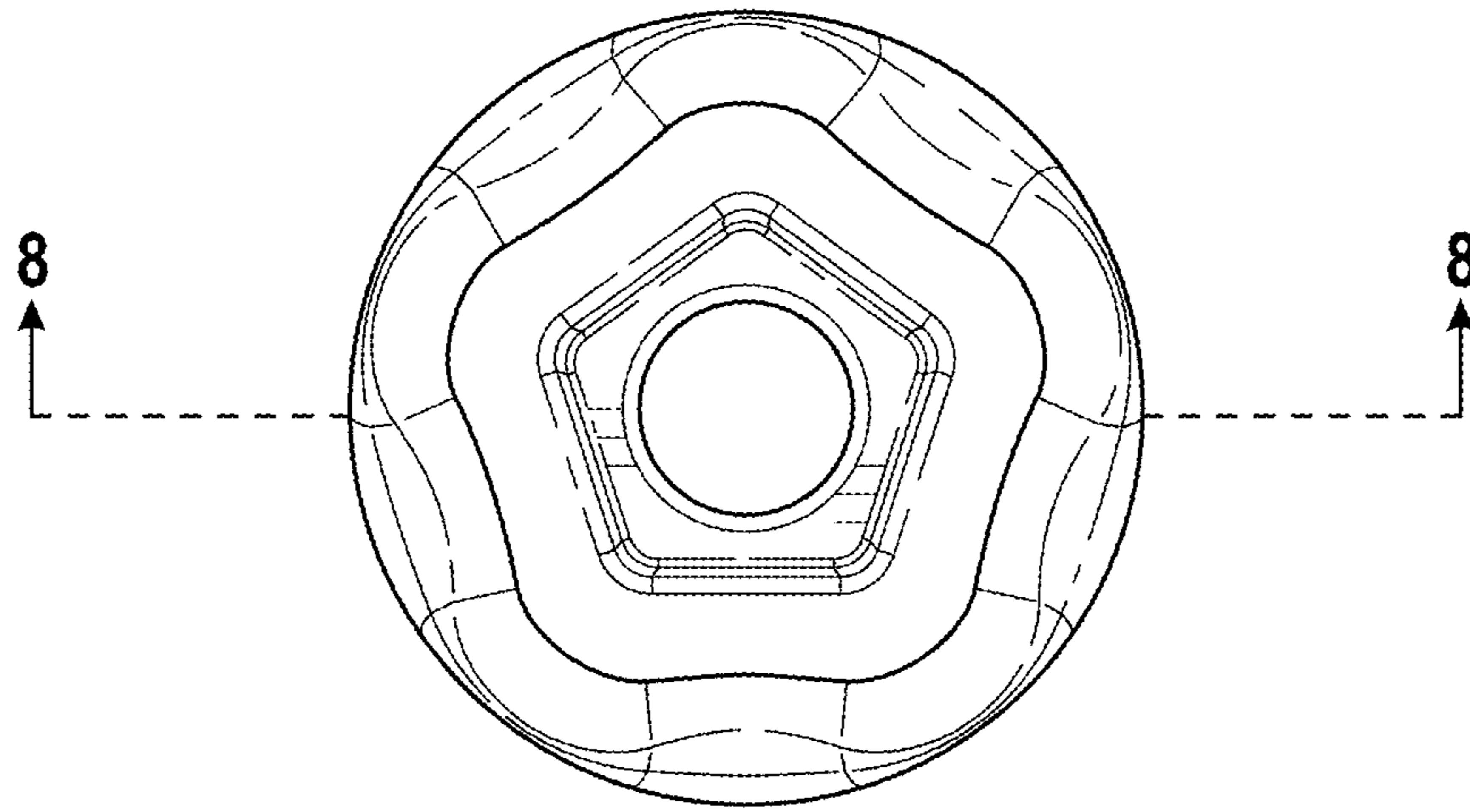


FIG. 6

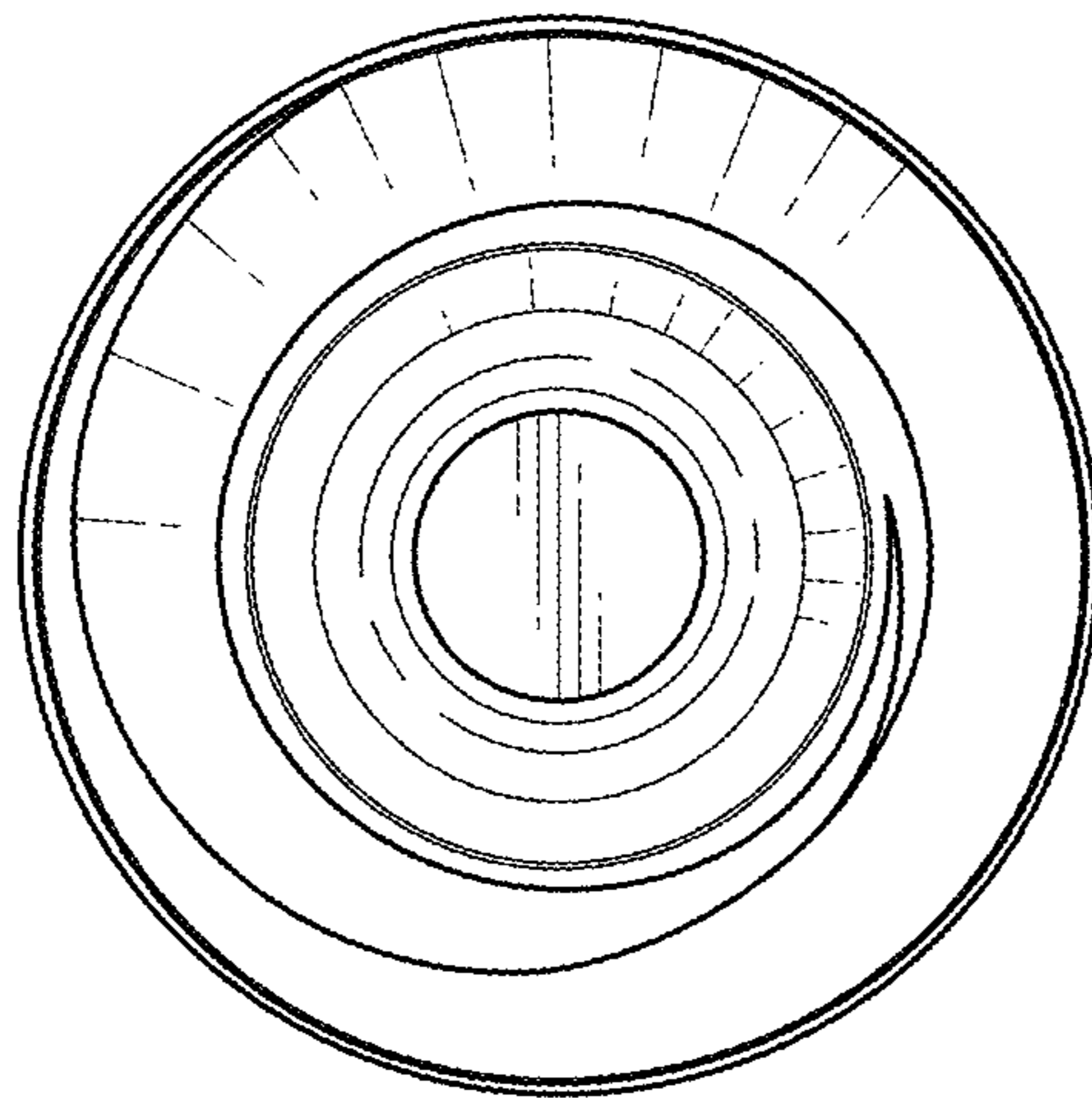


FIG. 7

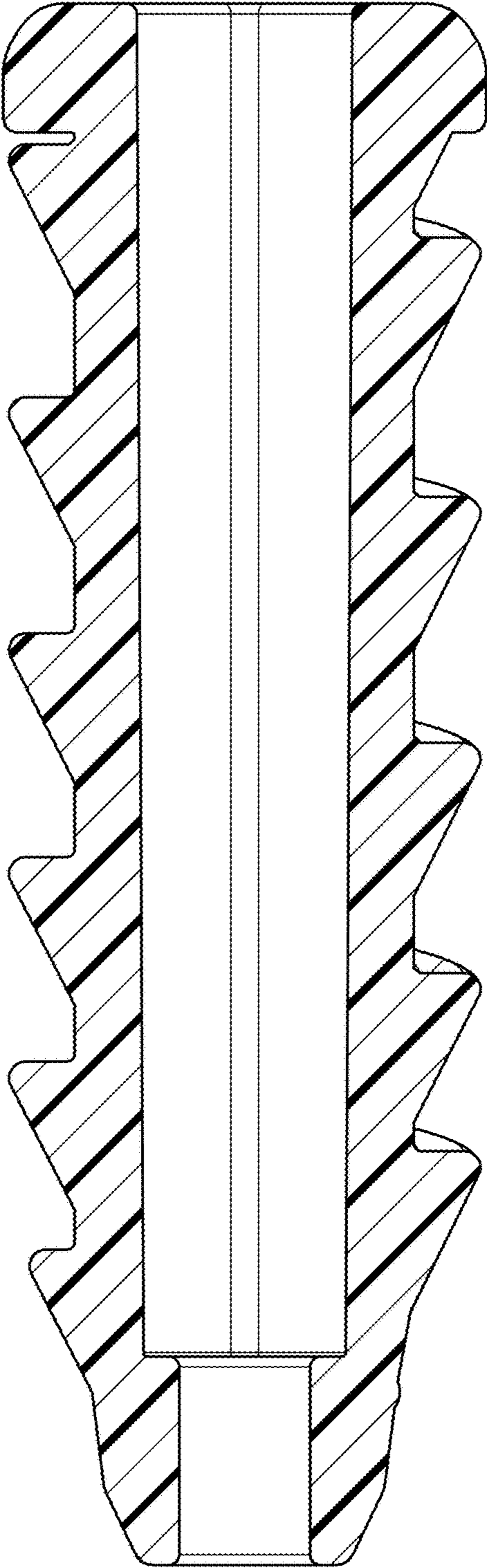


FIG. 8