



US00D855182S

(12) **United States Design Patent** (10) **Patent No.:** **US D855,182 S**
Ma (45) **Date of Patent:** **** Jul. 30, 2019**

(54) **ELECTRICAL DENTAL CALCULUS REMOVER**

(71) Applicant: **SHENZHEN JIENUOYI SCIENCE AND TECHNOLOGY CO., LTD,** Shenzhen (CN)

(72) Inventor: **Zongjie Ma,** Beihai (CN)

(73) Assignee: **SHENZHEN JIENUOYI SCIENCE AND TECHNOLOGY CO., LTD,** Shenzhen (CN)

(**) Term: **15 Years**

(21) Appl. No.: **29/678,789**

(22) Filed: **Jan. 31, 2019**

(51) **LOC (11) Cl.** **24-02**

(52) **U.S. Cl.**
USPC **D24/152**

(58) **Field of Classification Search**
USPC D24/111, 152, 176; D28/65, 68; 433/80-81, 88, 118-119, 216
CPC .. A61C 3/00; A61C 3/03; A61C 3/166; A61C 15/00; A61C 15/047; A61C 17/00; A61C 17/0202; A61C 17/0211; A61C 17/028; A61C 17/16; A61C 17/20; A61C 17/225; A61C 17/28; A61C 17/36
See application file for complete search history.

(56) **References Cited**

U.S. PATENT DOCUMENTS

D266,109 S	9/1982	Sertich et al.	
6,422,867 B2 *	7/2002	Lang	A61C 15/047 132/322
D468,422 S *	1/2003	McCurrach	D24/176
6,689,078 B1 *	2/2004	Rehkemper	A61C 17/30 433/80
D492,996 S *	7/2004	Rehkemper	D24/152
D520,683 S	5/2006	Kling	

D594,985 S	6/2009	Jansheski et al.	
D595,851 S *	7/2009	Karten	D24/152
D832,422 S *	10/2018	Kohler	D24/152
2014/0106296 A1 *	4/2014	Woodard	A61C 15/00 433/80

OTHER PUBLICATIONS

ThreeCat Direct. "Household Electric Dental Calculus Remover ThreeCat Tartar Scraper Tartar Remover for Fighting Dental Calculus and Plaque (Blue)". Pages dated Nov. 6, 2018. Retrieved on Apr. 2, 2019. Retrieved from the Internet: <https://www.amazon.com/Household-Electric-Calculus-ThreeCat-Fighting/dp/B07GQMW913?th=1>.
"Teeth whitening Home Use Sonic Dental Scaler Tooth Calculus Remover High Frequency Vibration Dental Cleansing Machine USB". Retrieved on Mar. 20, 2019. Retrieved from the Internet: <https://www.aliexpress.com/i/32913414644.html>.

(Continued)

Primary Examiner — Wan Laymon

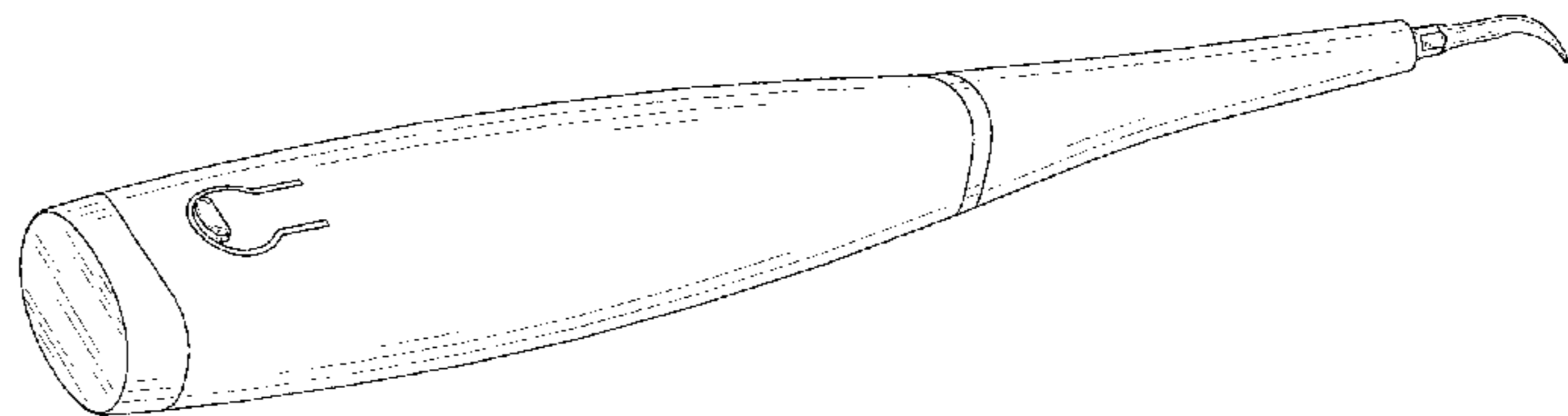
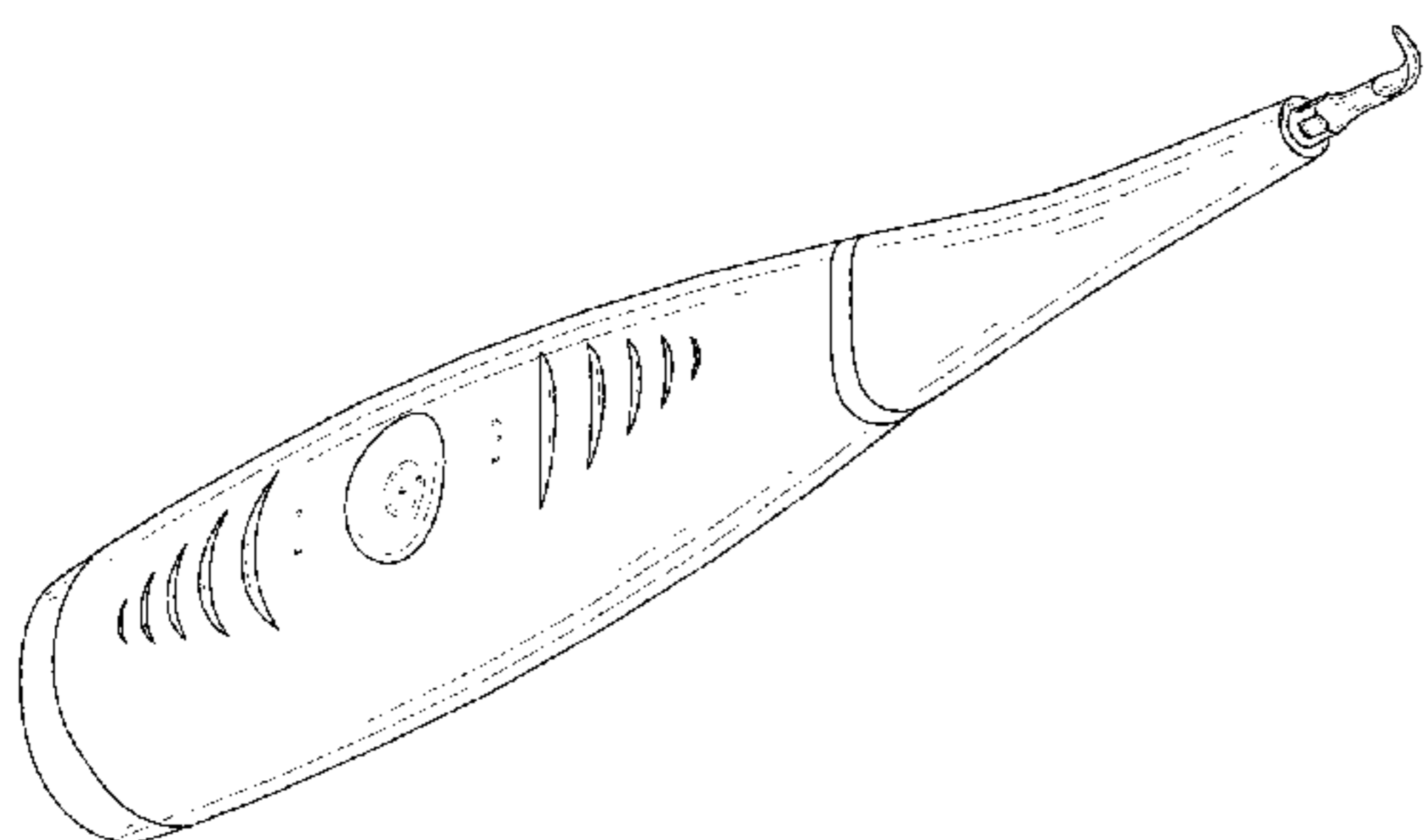
(57) **CLAIM**

The ornamental design for an electrical dental calculus remover, as shown and described.

DESCRIPTION

FIG. 1 is a perspective view of an electrical dental calculus remover showing my new design; FIG. 2 is another perspective view thereof; FIG. 3 is a front elevational view thereof; FIG. 4 is a rear elevational view thereof; FIG. 5 is a left side elevational view thereof; FIG. 6 is a right side elevational view thereof; FIG. 7 is a top plan view thereof; and, FIG. 8 is a bottom plan view thereof. The broken lines in the drawings illustrate portions of the electrical dental calculus remover that form no part of the claimed design.

1 Claim, 8 Drawing Sheets



(56)

References Cited

OTHER PUBLICATIONS

“Portable Electric Sonic Dental Scaler Tooth Calculus Remover Tooth Stains Tartar Eraser Home Use Toothwash Tool Blue/Pink”. Pages dated Oct. 10, 2018. Retrieved on Mar. 20, 2019. Retrieved from the Internet: https://www.aliexpress.com/item/Portable-Electric-Sonic-Dental-Scaler-Tooth-Calculus-Remover-Tooth-St.*

* cited by examiner

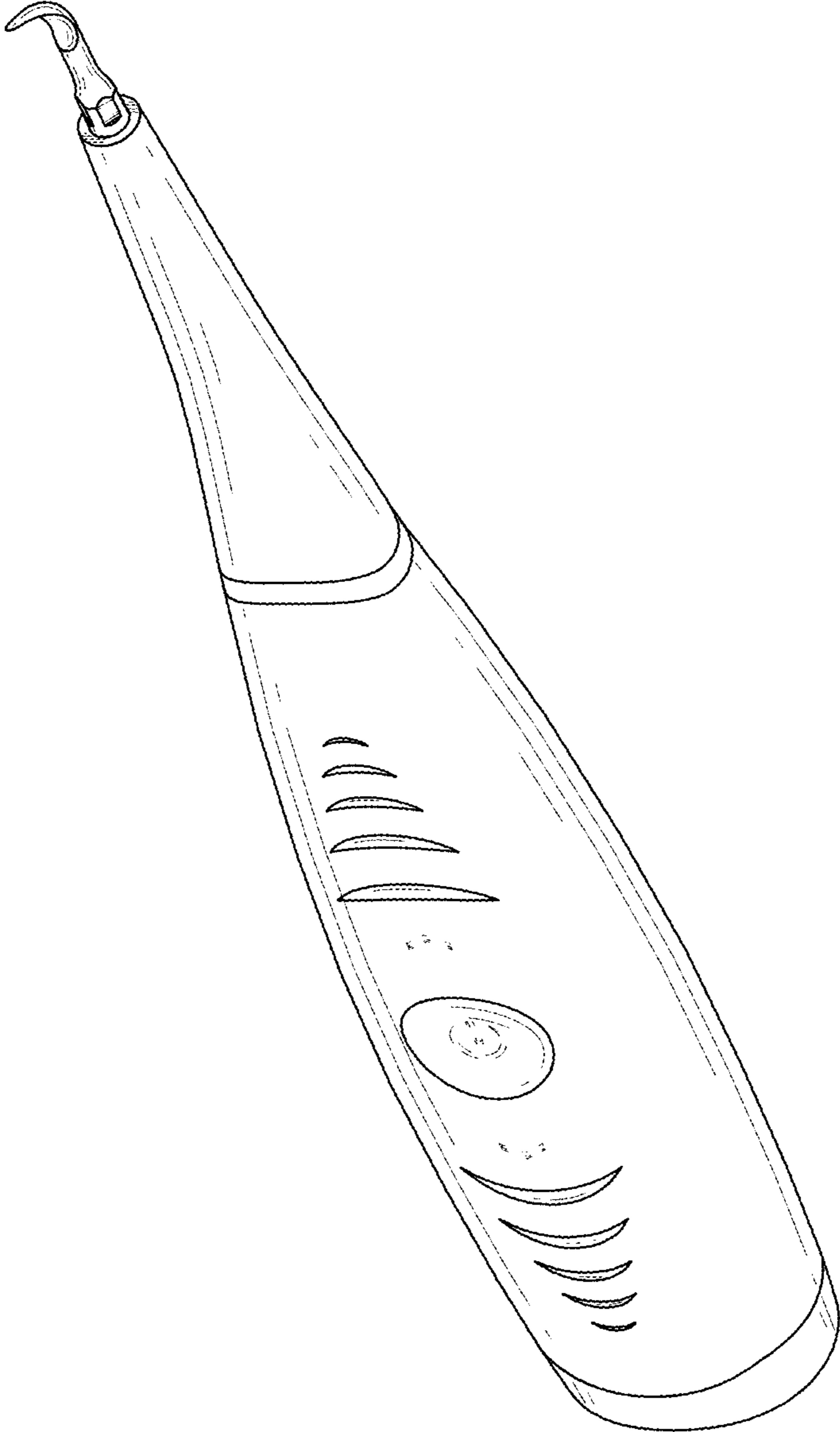


FIG. 1

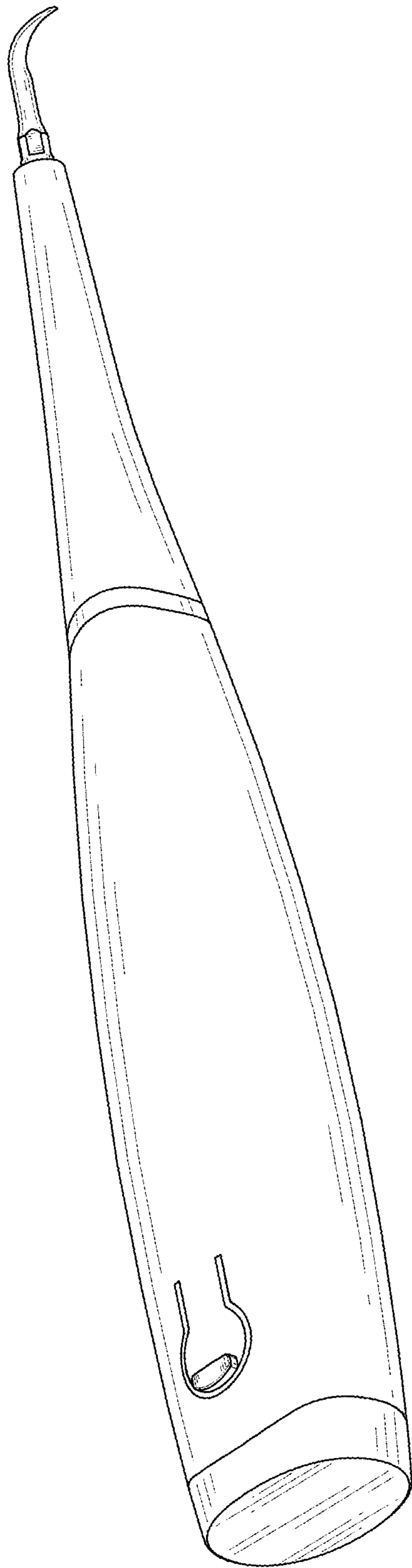


FIG. 2

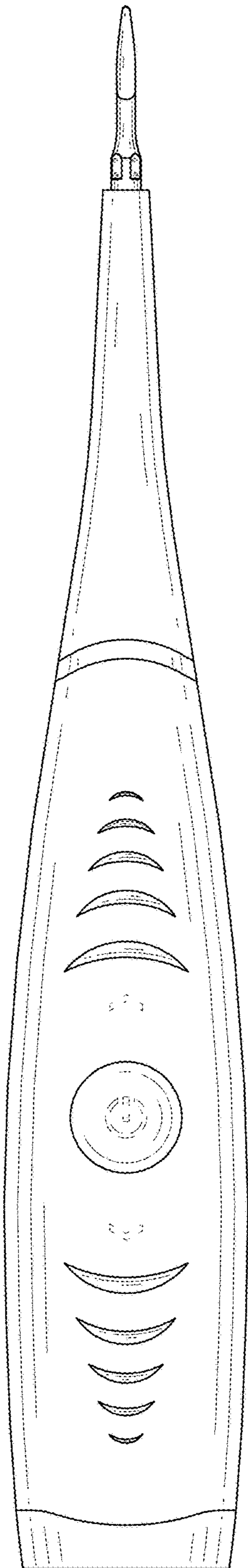


FIG. 3

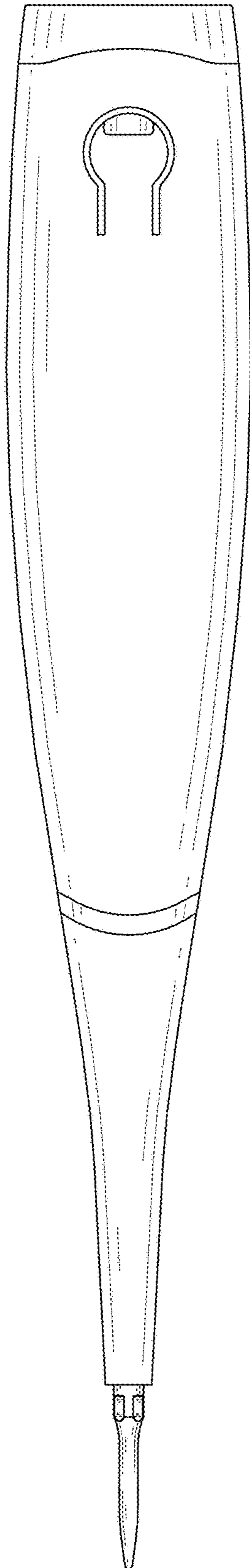


FIG. 4

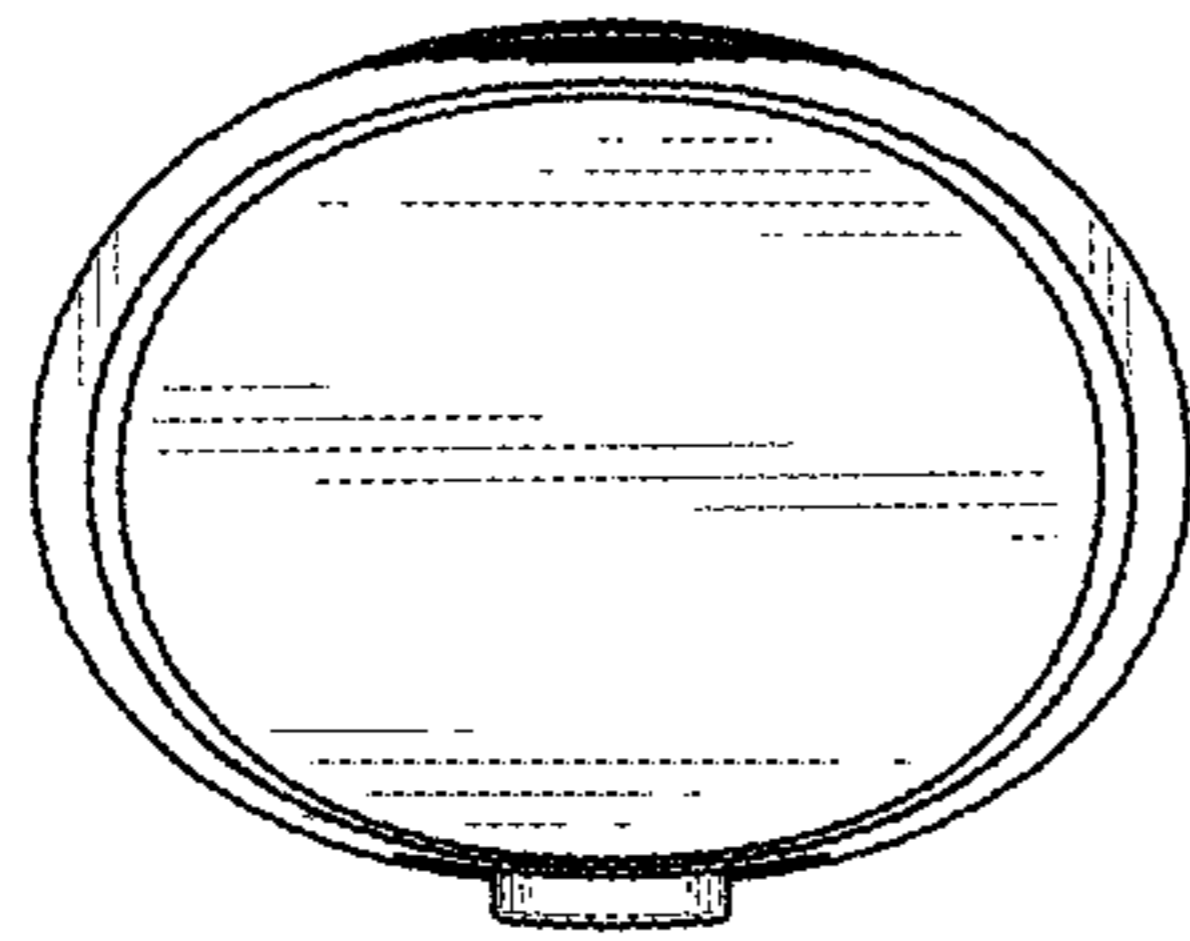


FIG. 5

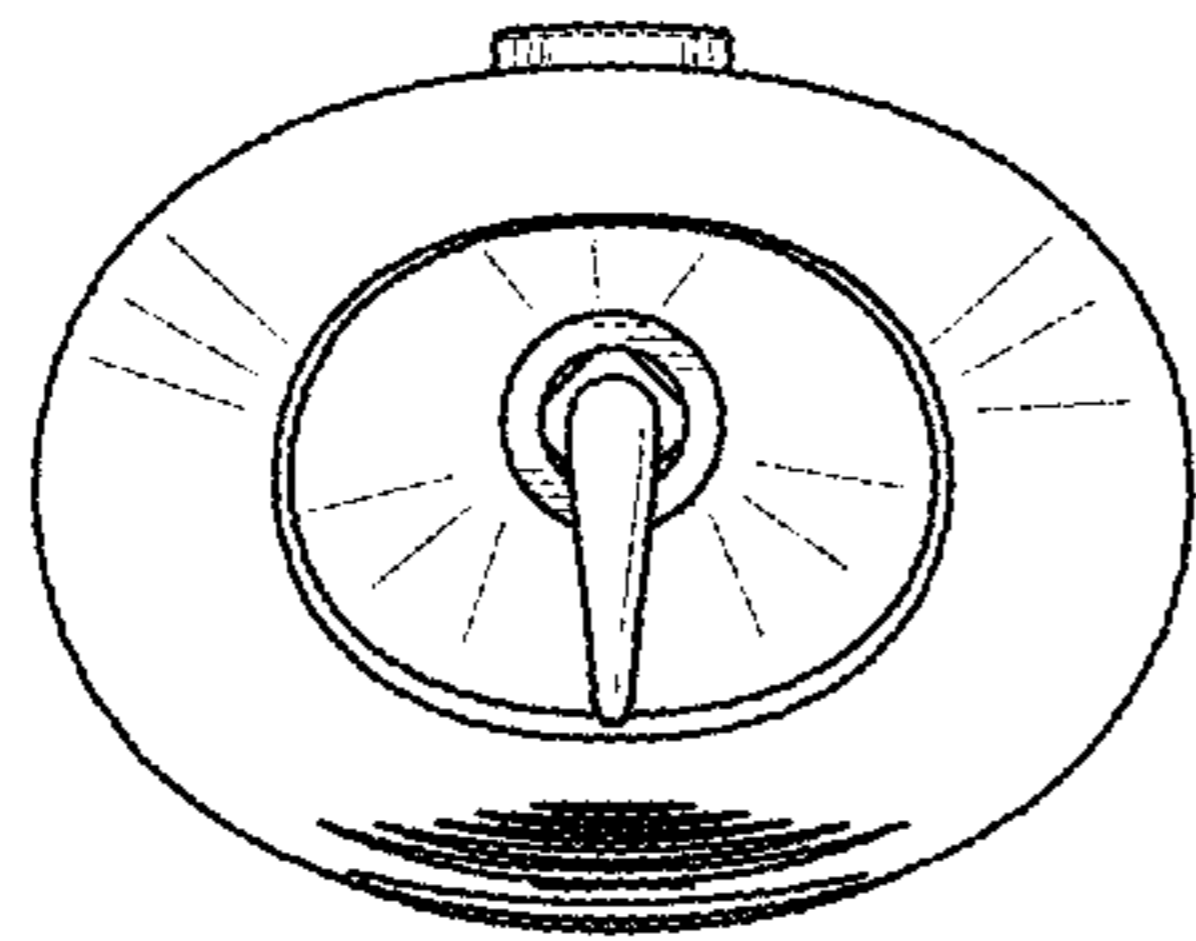


FIG. 6

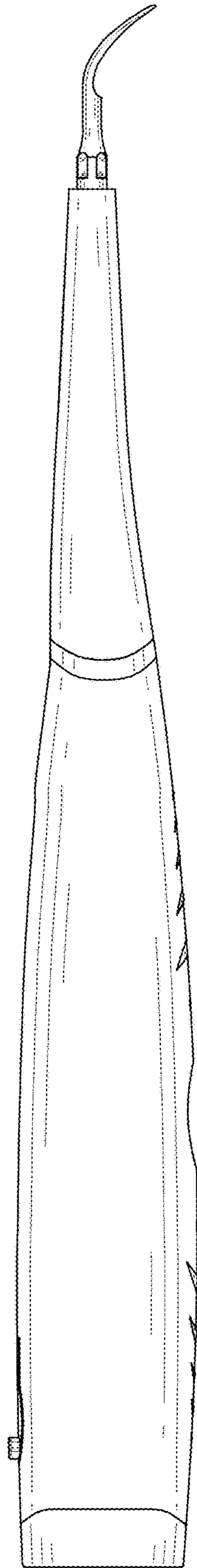


FIG. 7

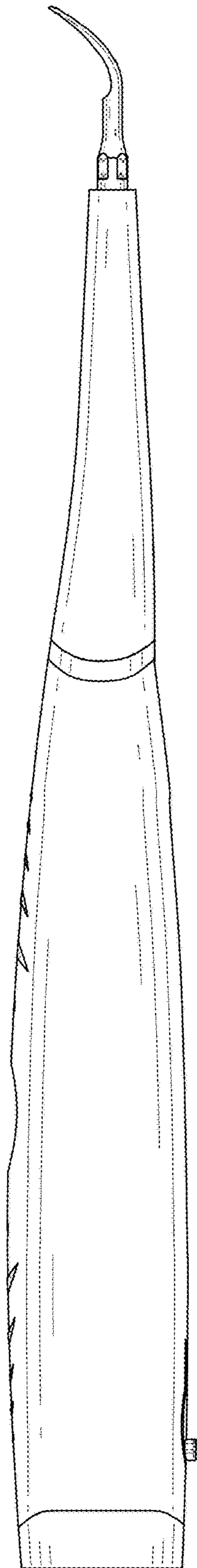


FIG. 8