



US00D855179S

(12) **United States Design Patent**
Butler

(10) **Patent No.:** **US D855,179 S**

(45) **Date of Patent:** **** Jul. 30, 2019**

(54) **CART FOR MEDICAL APPARATUS**

19/42; G05B 2219/36184; G05B
2219/40116; G05B 2219/40391; G05B
2219/40395

(71) Applicant: **DORNIER MEDTECH SYSTEMS
GMBH, Weßling (DE)**

See application file for complete search history.

(72) Inventor: **Mary Louise Butler**, Mount Pleasant,
SC (US)

(56) **References Cited**

(**) Term: **15 Years**

U.S. PATENT DOCUMENTS

(21) Appl. No.: **35/503,637**

D306,397 S *	3/1990	Kweon	D8/375
D710,187 S *	8/2014	Gronholm	D8/375
D731,297 S *	6/2015	Bitterlich	D8/375
D736,608 S *	8/2015	Fan	D8/375
D795,680 S *	8/2017	Balas	D8/375

(22) Filed: **Mar. 22, 2017**

* cited by examiner

(80) **Hague Agreement Data**

Int. Filing Date: **Mar. 22, 2017**

Int. Reg. No.: **DM/097478**

Int. Reg. Date: **Mar. 22, 2017**

Int. Reg. Pub. Date: **Sep. 8, 2017**

Primary Examiner — Michael A. Pratt

(30) **Foreign Application Priority Data**

Sep. 28, 2016 (EM) 003398320-0004

Sep. 28, 2016 (EM) 003398320-0005

(51) **LOC (11) Cl.** **24-01**

(52) **U.S. Cl.**
USPC **D24/128**

(58) **Field of Classification Search**
USPC D34/1, 5, 6, 7, 9, 11; D24/183-185, 232
CPC .. B65F 1/14; B65F 1/16; B65F 1/1615; B65F
1/141; B65F 1/163; B65F 1/002; B65F
1/006; B65F 1/1426; G05B 15/02; G05B

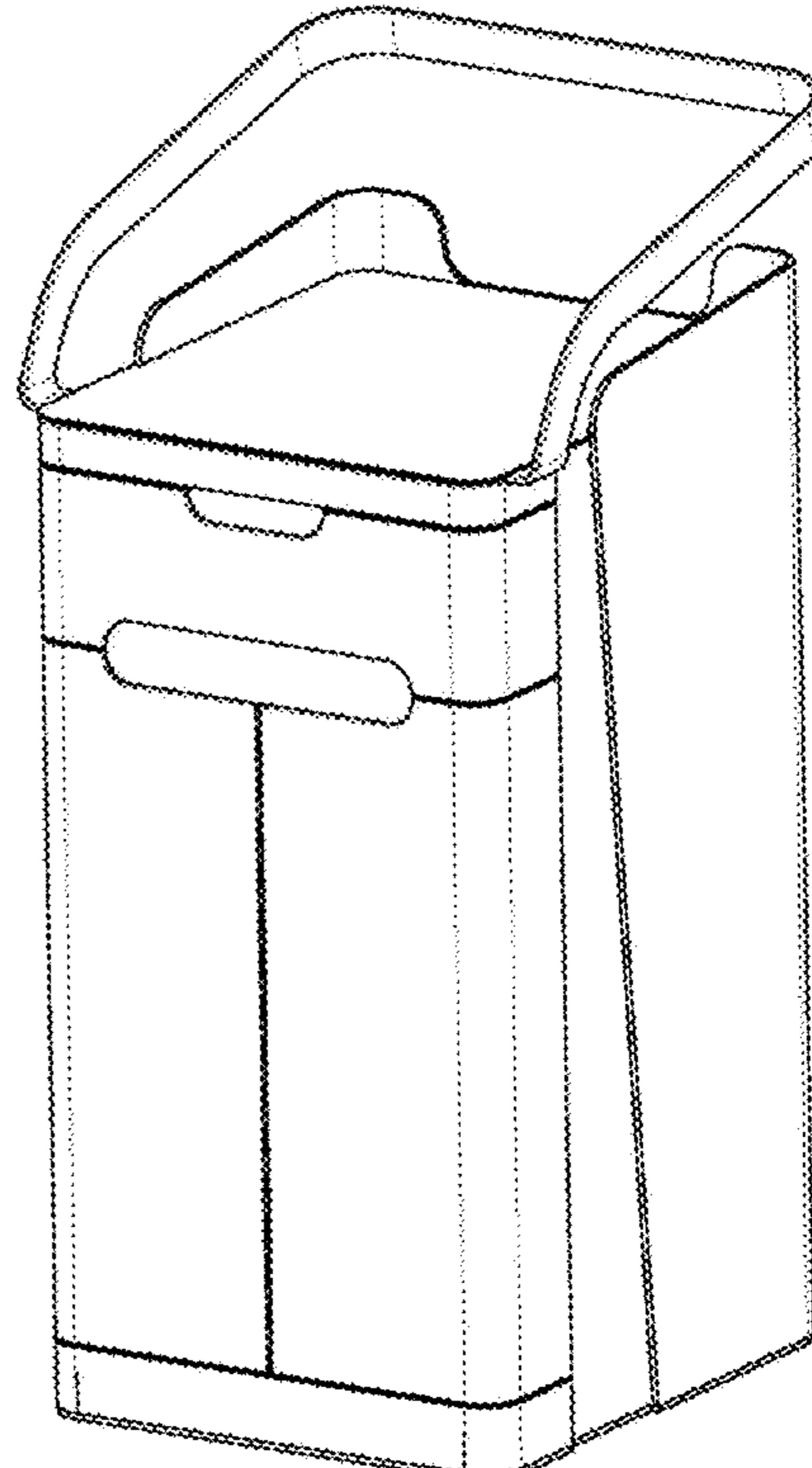
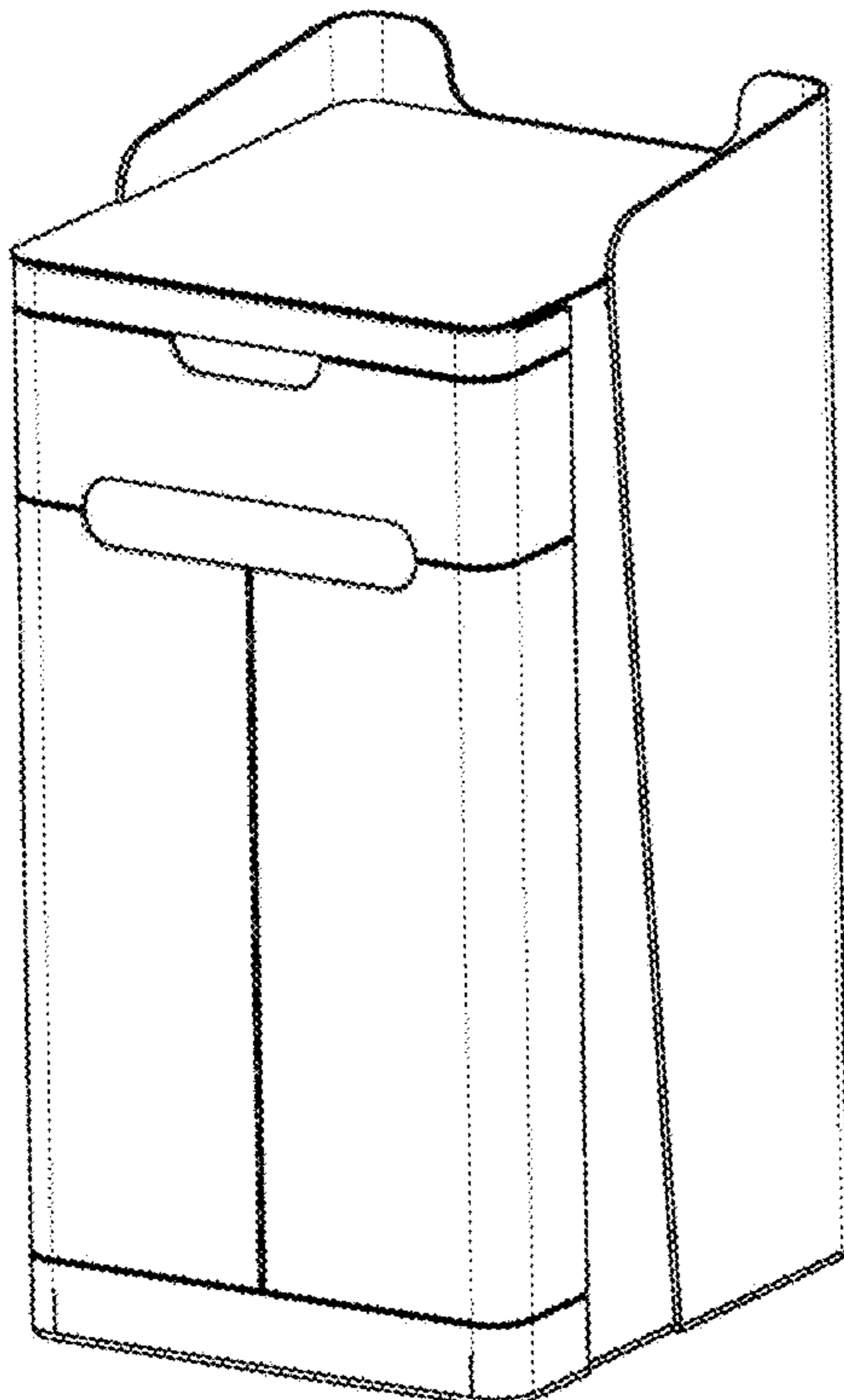
(57) **CLAIM**

The ornamental design for a cart for medical apparatus, as shown and described.

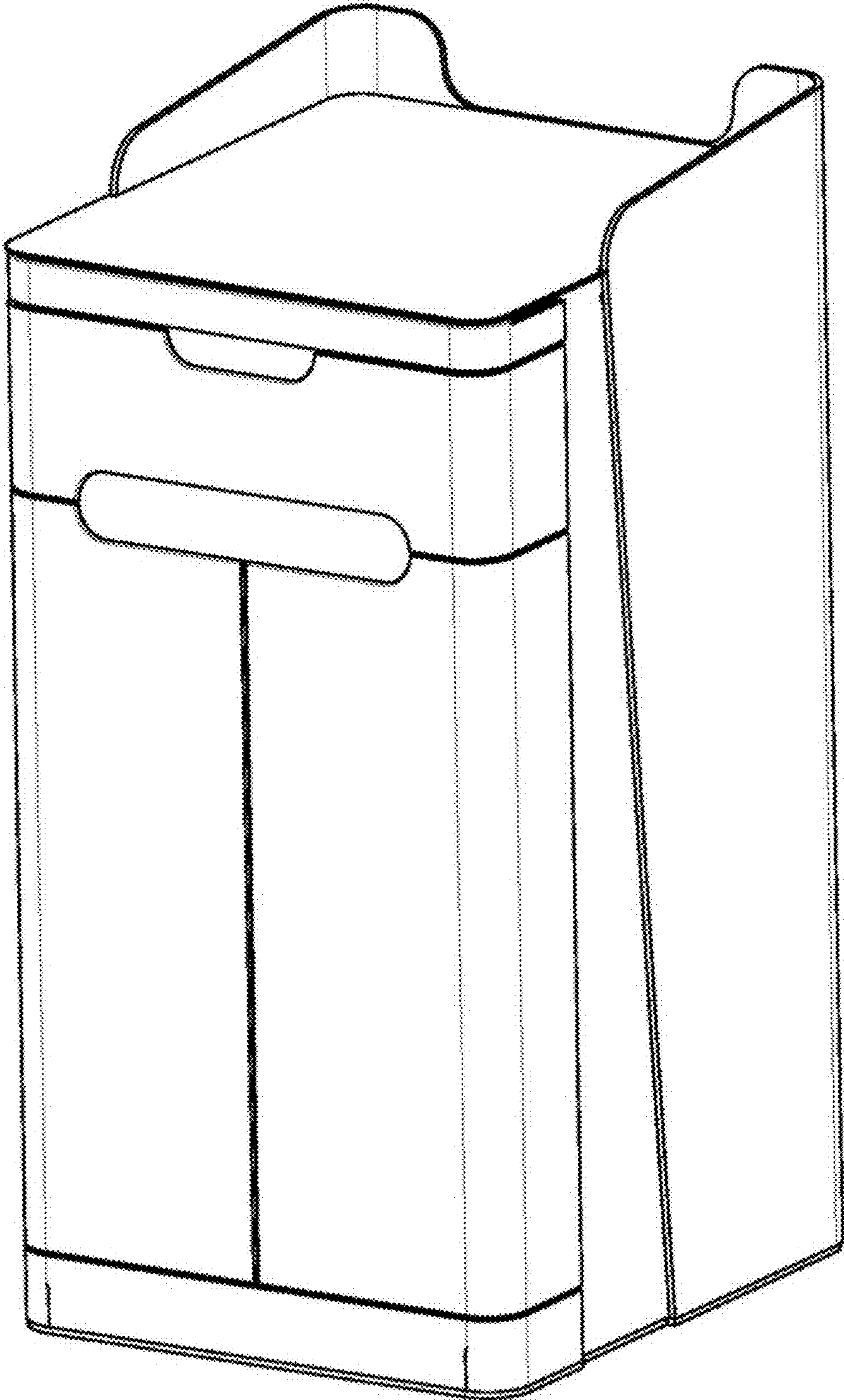
DESCRIPTION

1.-2. Carts for medical apparatus
Design 1: 1.1 perspective view; 1.2 front view; 1.3 rear view; 1.4. left side view; 1.5 right side view; 1.6 top view; 1.7 bottom view; design 2: 2.1 perspective view; 2.2 front view; 2.3 rear view; 2.4. left side view; 2.5 right side view; 2.6 top view; 2.7 bottom view.

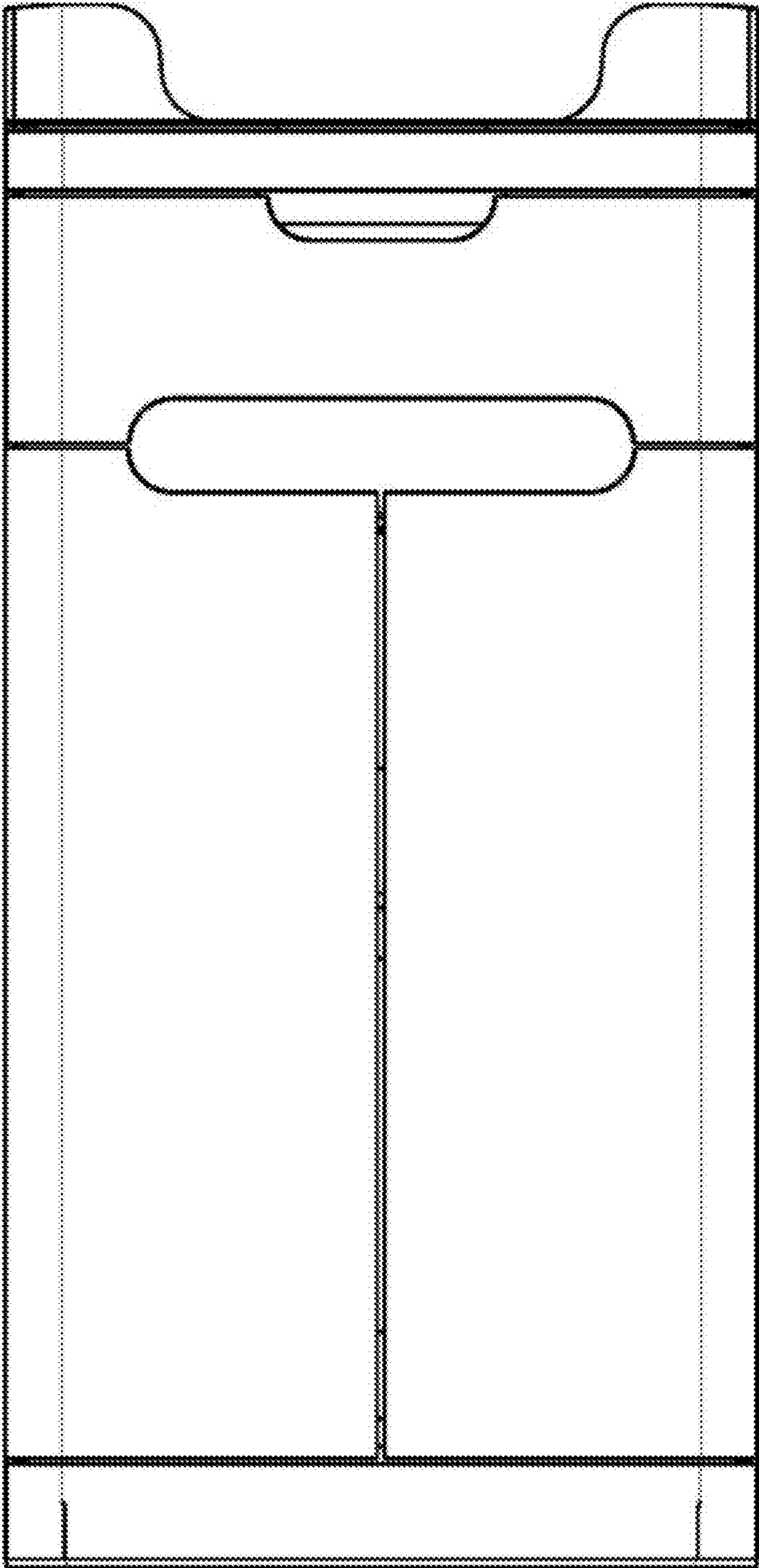
1 Claim, 14 Drawing Sheets



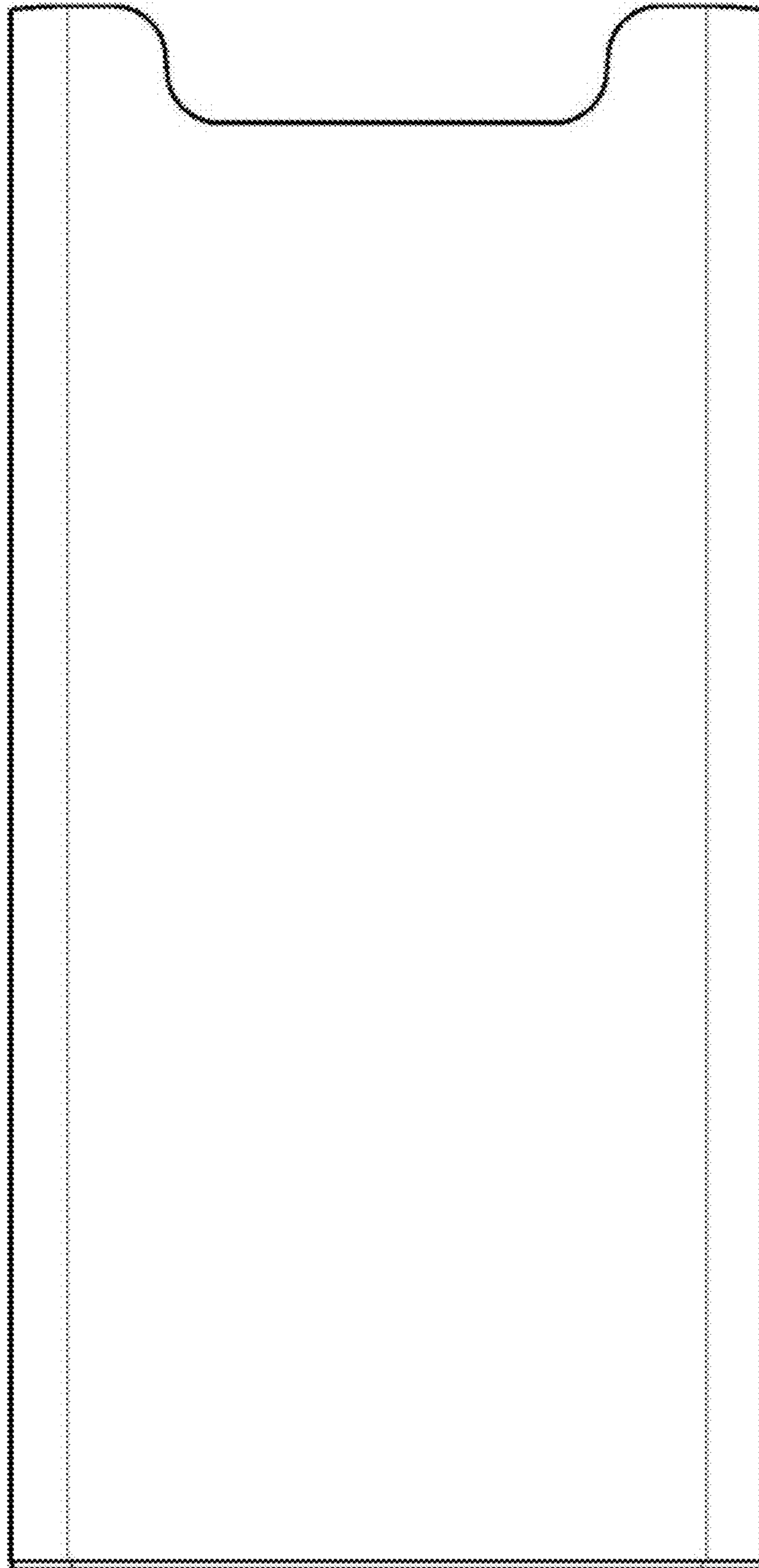
1.1



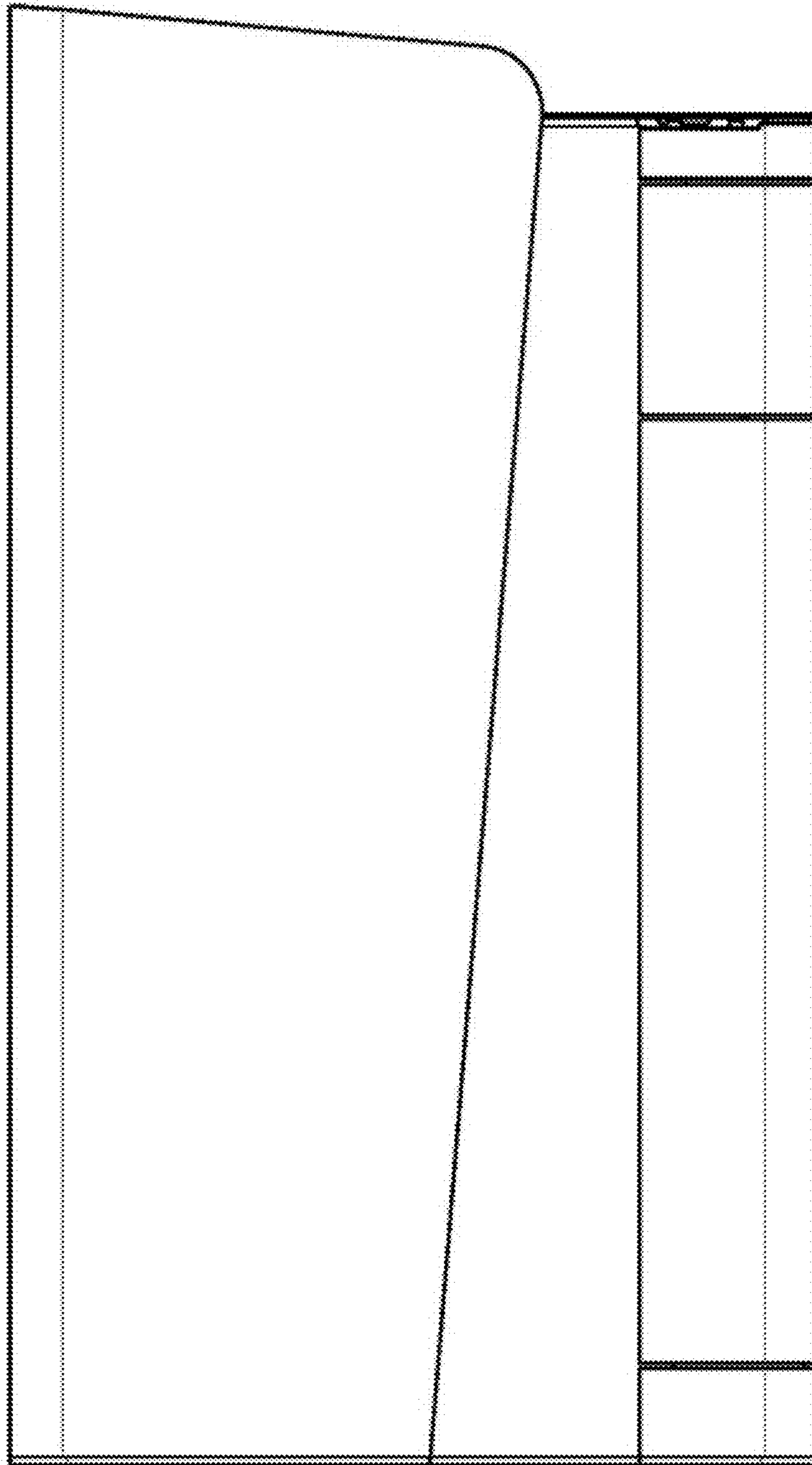
1.2



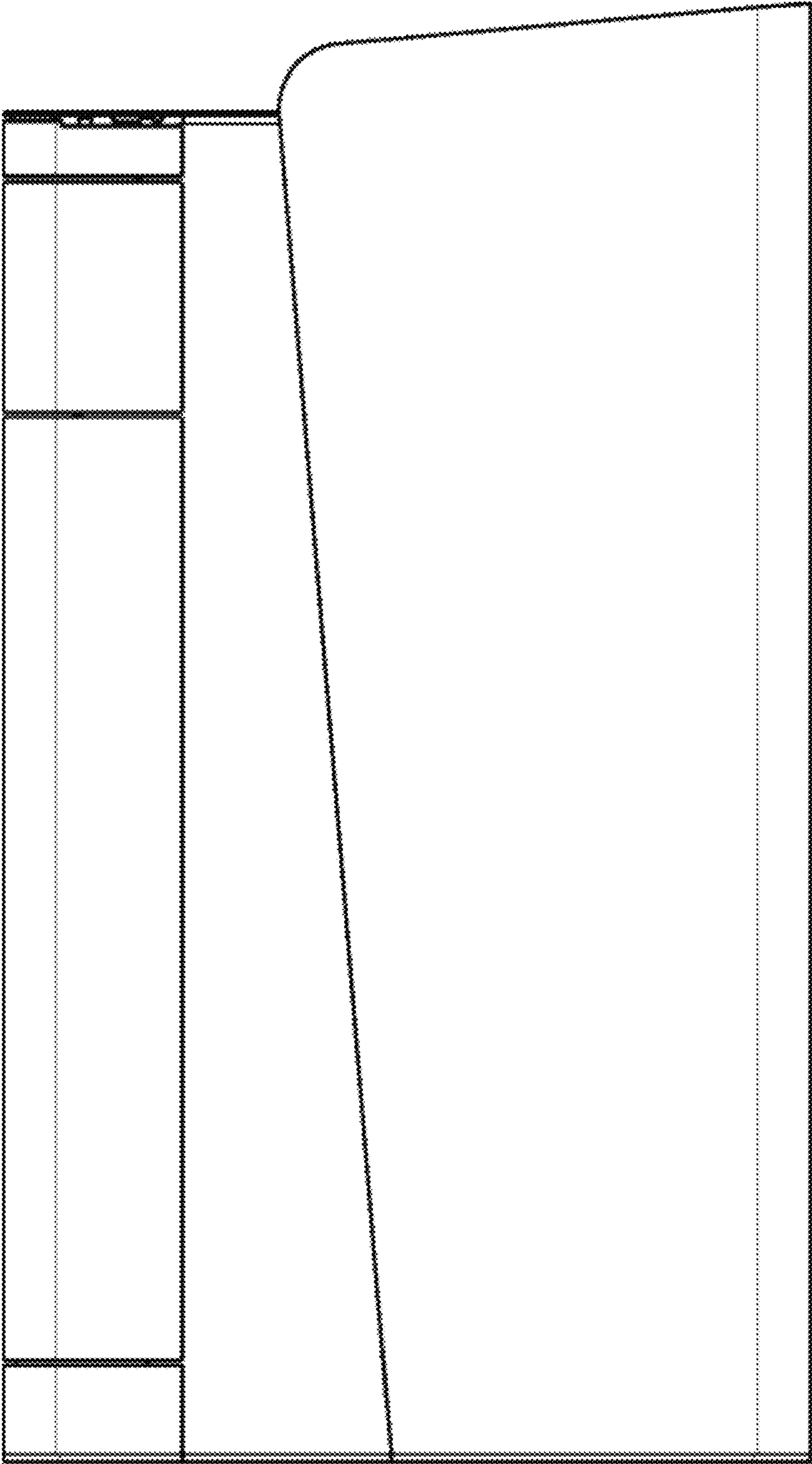
1.3



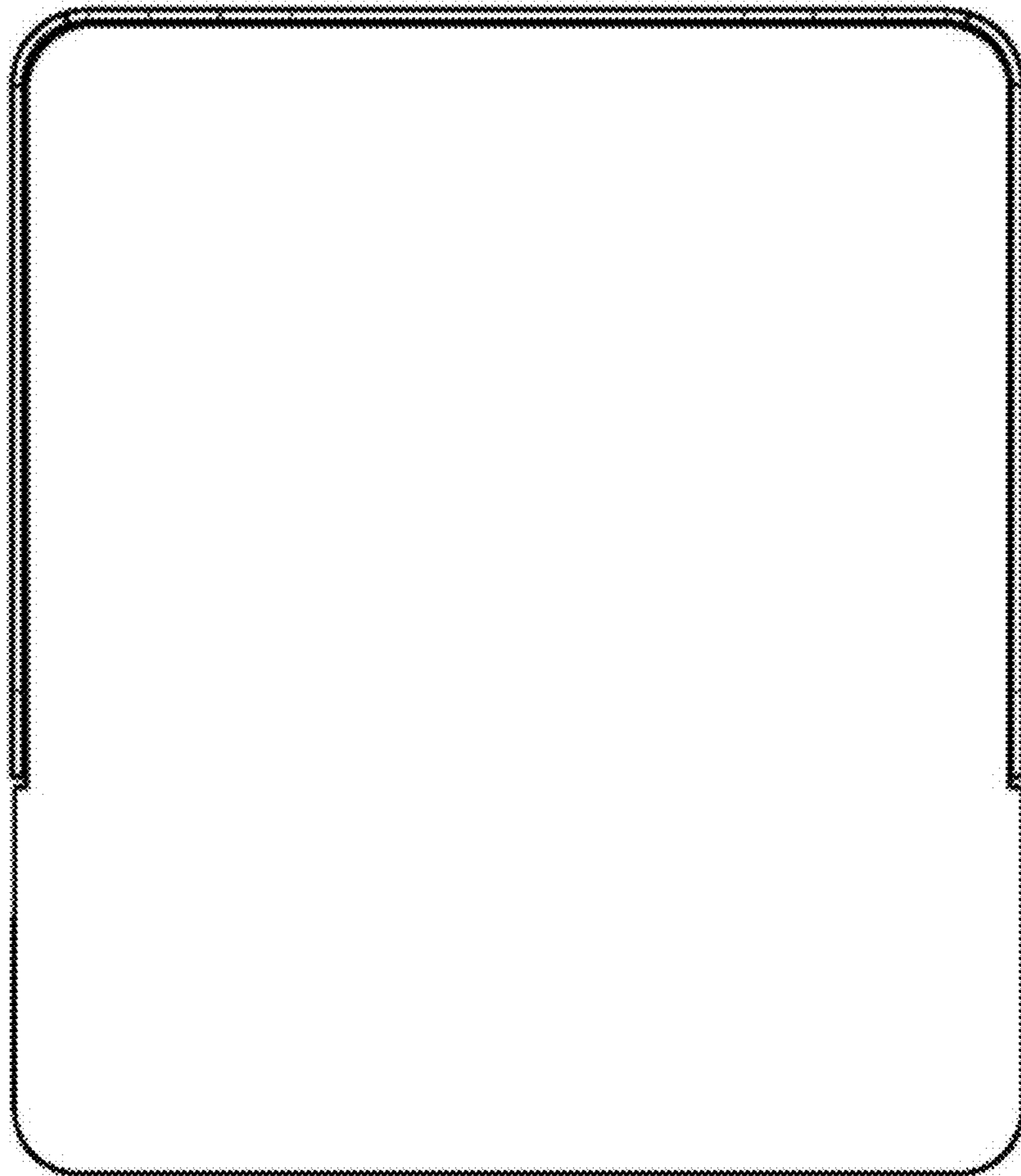
1.4



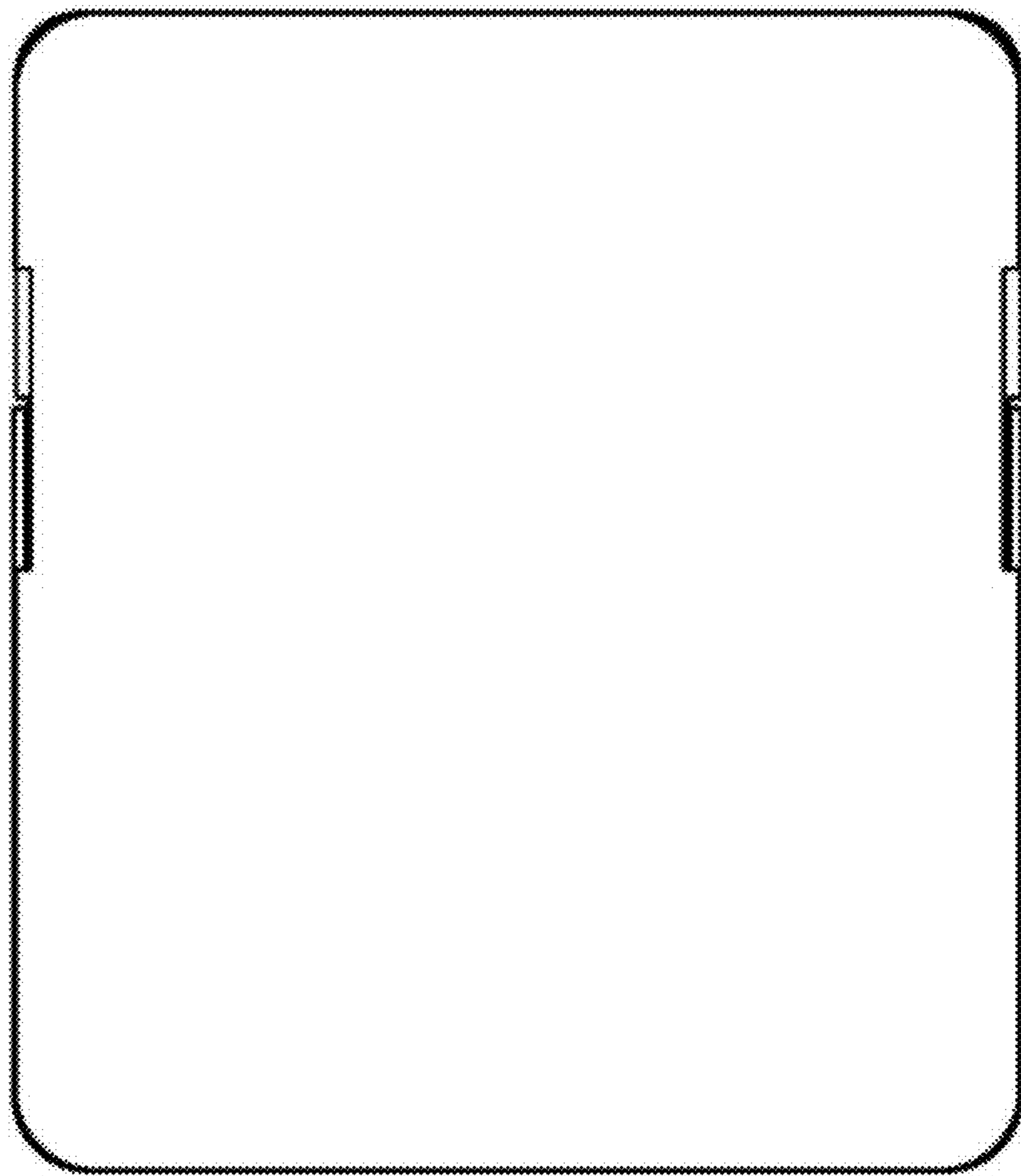
1.5



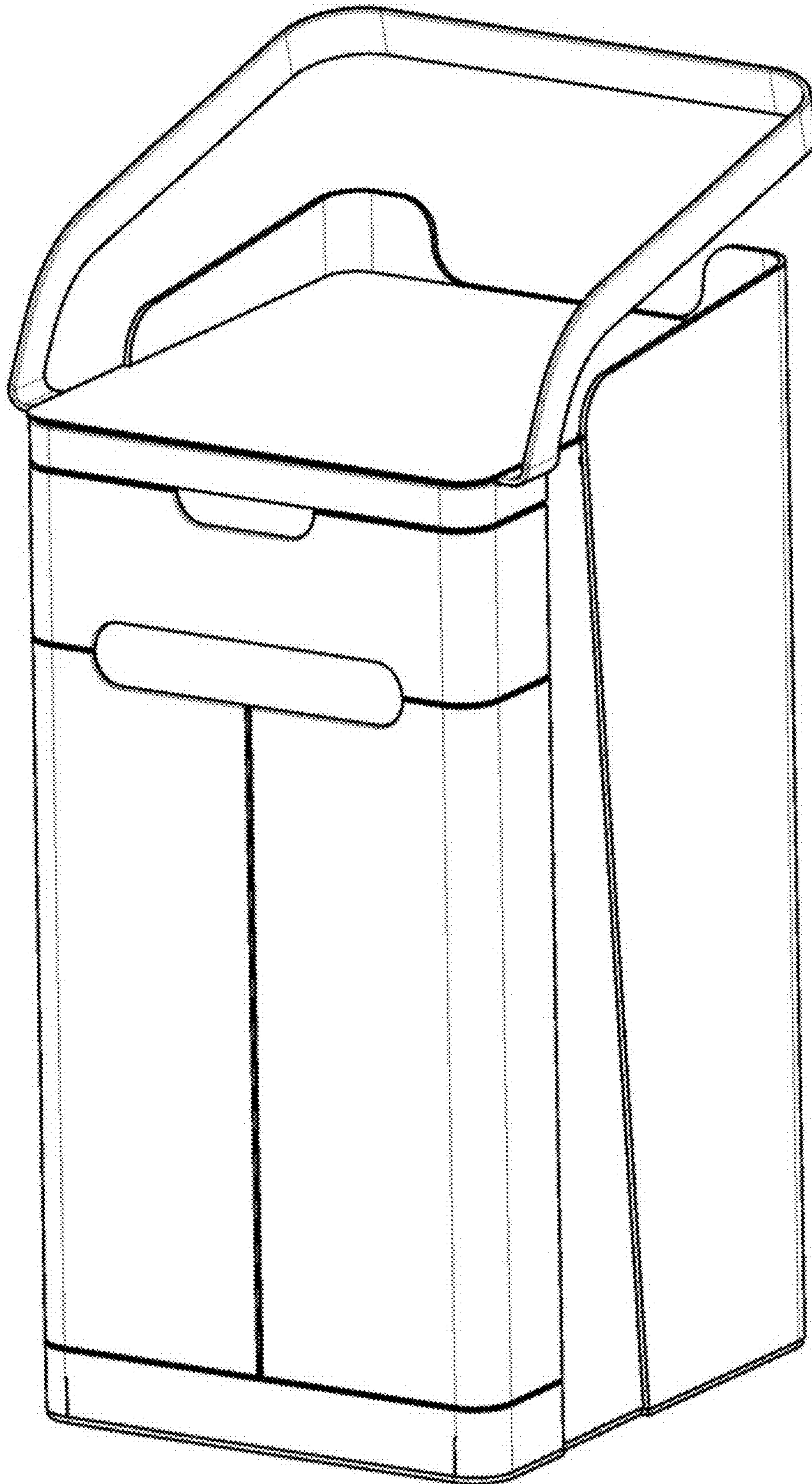
1.6



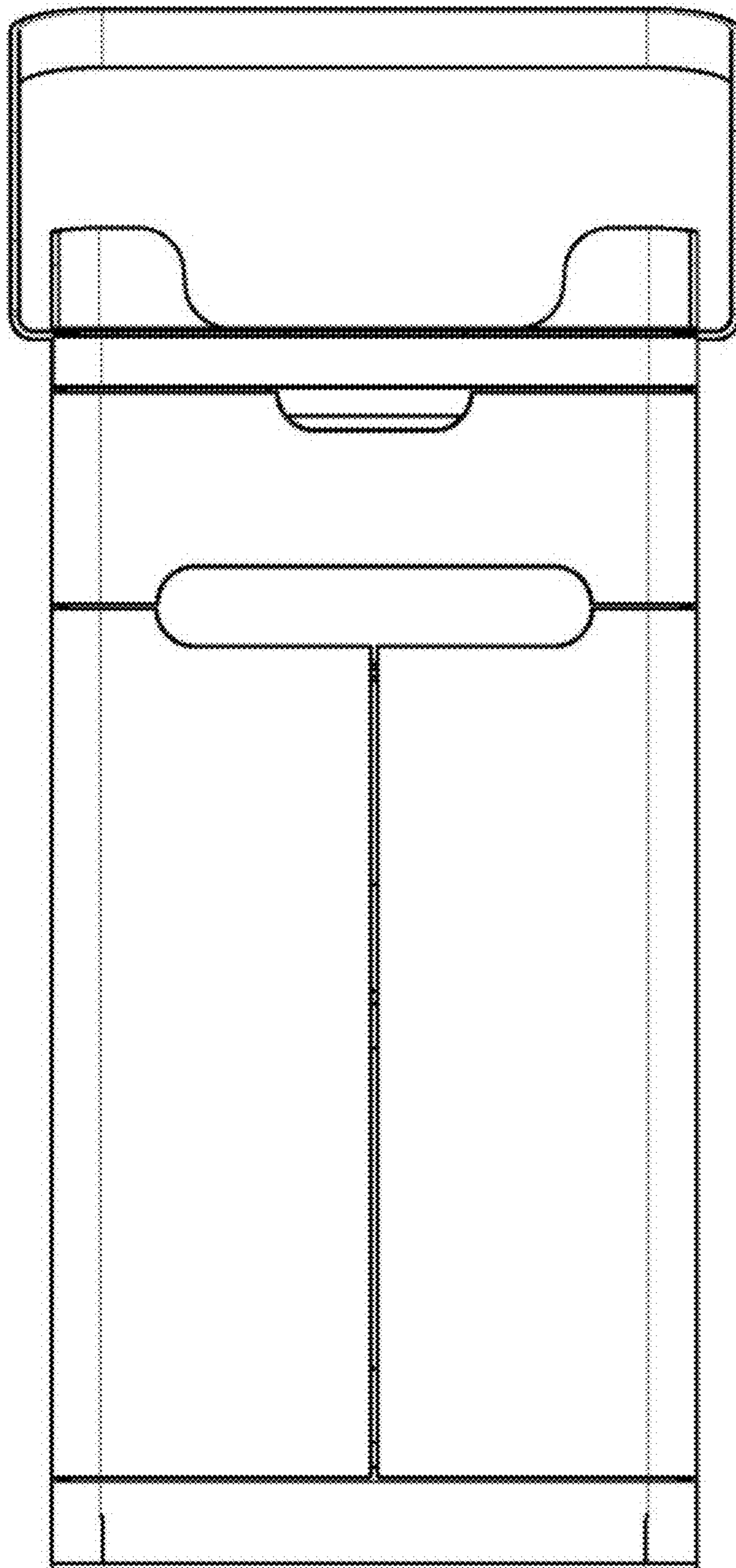
1.7



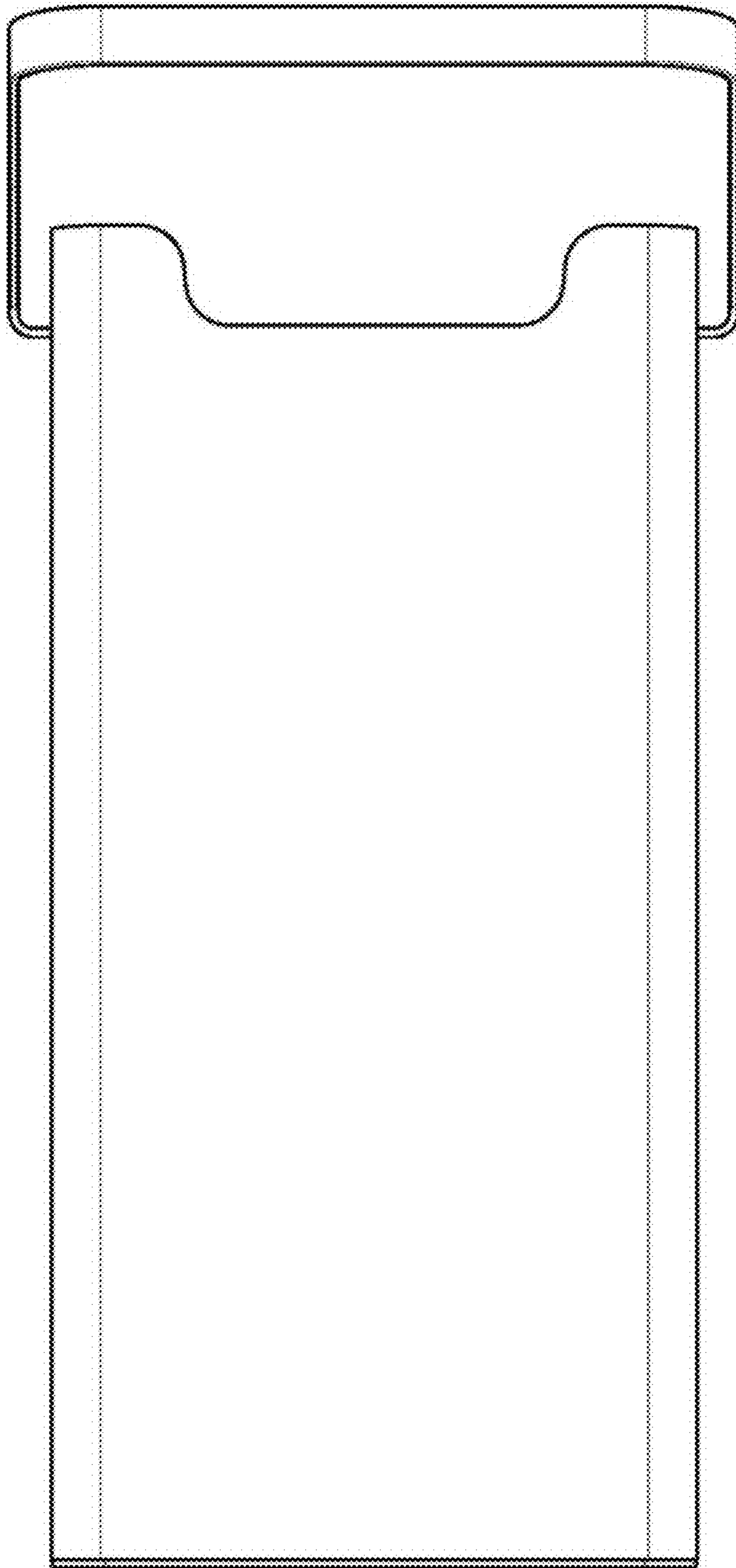
2.1



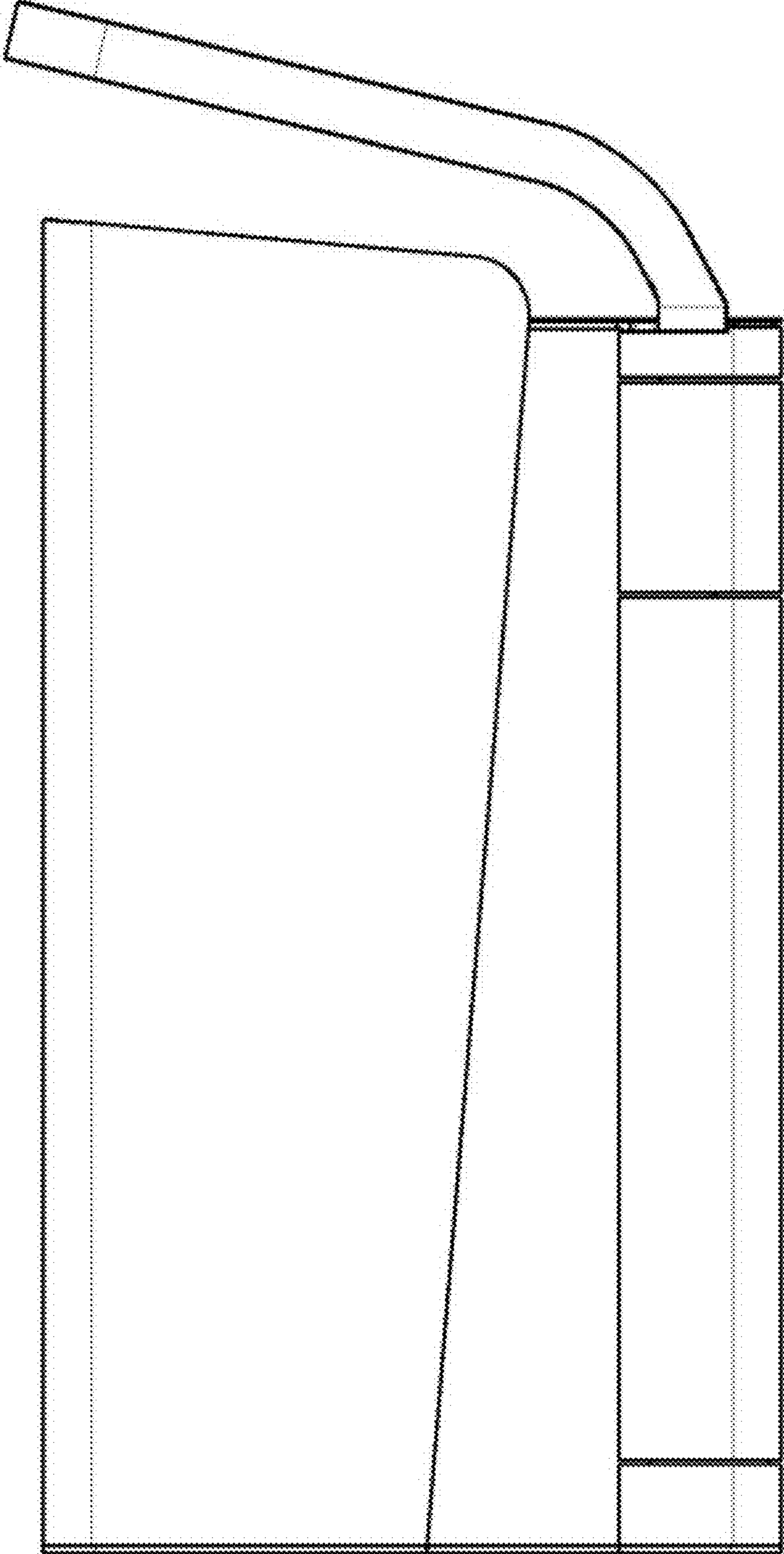
2.2



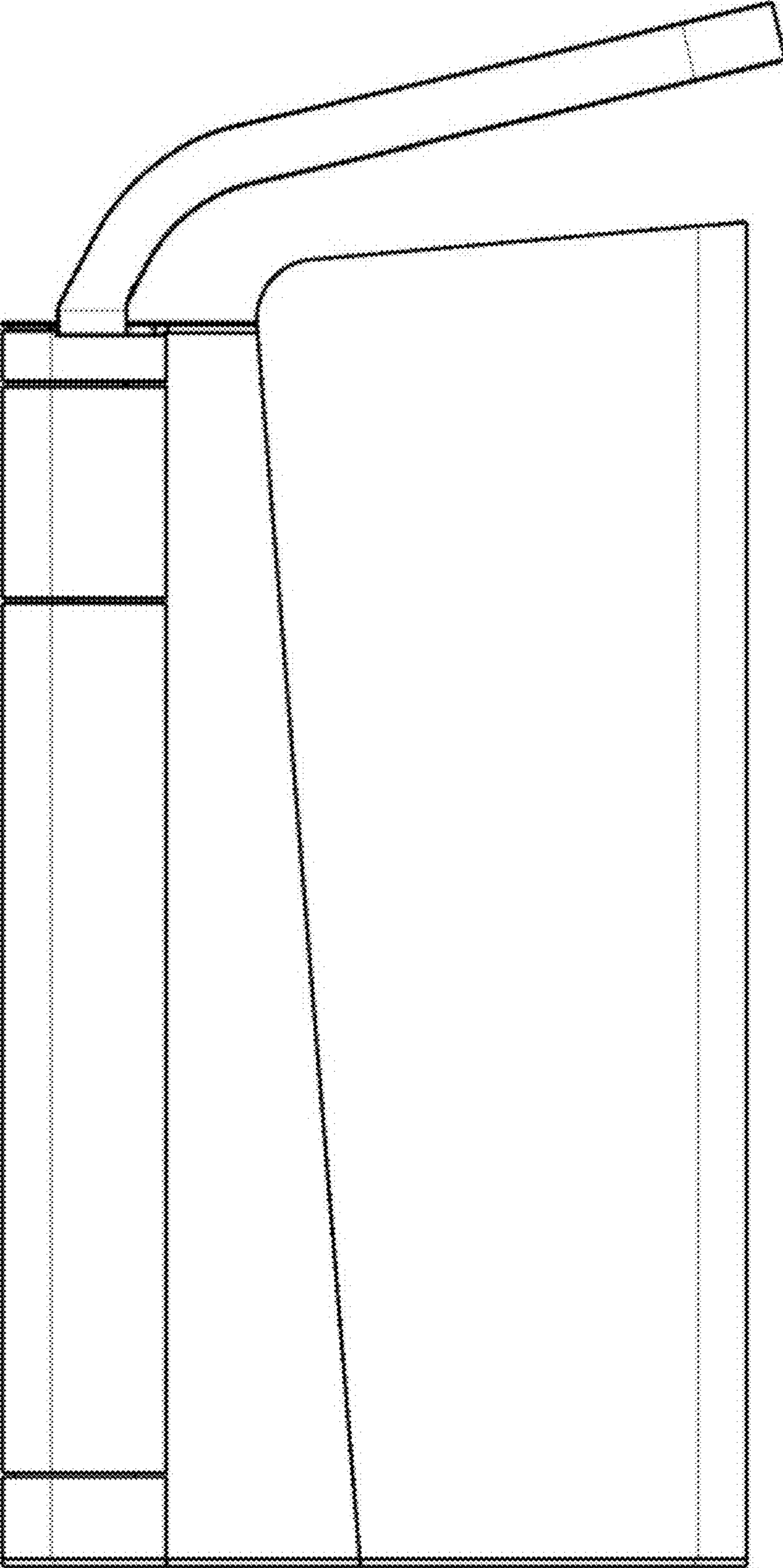
2.3



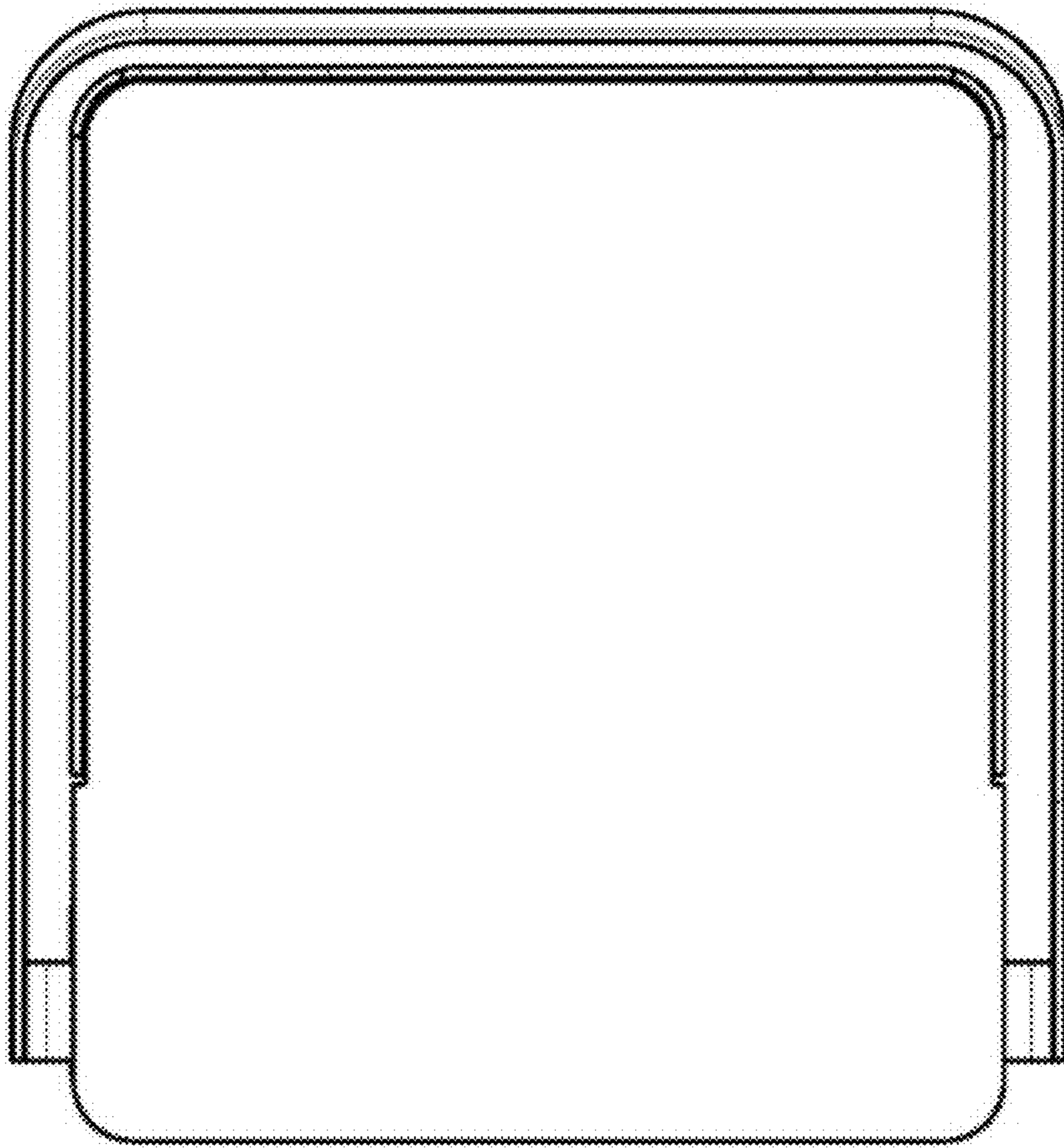
2.4



2.5



2.6



2.7

