



US00D855177S

(12) **United States Design Patent** (10) **Patent No.:** **US D855,177 S**
Sillitoe et al. (45) **Date of Patent:** **** Jul. 30, 2019**

(54) **TAMPER-EVIDENT COVER**
(71) Applicant: **Bio Pure Technology Limited**,
Waterlooville Hampshire (GB)
(72) Inventors: **Chris Sillitoe**, Cornwall (GB); **Nick White**, Falmouth Cornwall (GB)
(73) Assignee: **Bio Pure Technology Limited**,
Waterlooville Hampshire (GB)

D619,706 S * 7/2010 Schon D24/129
D637,712 S * 5/2011 Chau D24/129
D757,258 S * 5/2016 Weißhaupt D24/127
D781,416 S * 3/2017 Racz D24/112
D800,320 S * 10/2017 Nishikawa D24/186
D802,150 S * 11/2017 Lund D24/186
D802,757 S * 11/2017 Snyder A61K 9/0024
D815,736 S * 4/2018 Reaux D24/128
D817,485 S * 5/2018 Gottschalk D24/128

(**) Term: **15 Years**
(21) Appl. No.: **29/617,903**

CN 301238237 5/2010
CN 301243621 6/2010
CN 301247596 6/2010

(22) Filed: **Sep. 16, 2017**

(Continued)

(30) **Foreign Application Priority Data**

OTHER PUBLICATIONS

Mar. 16, 2017 (EM) 003803584

Taiwanese Notice of Allowance for Design Application S.N. 106305496 dated Apr. 11, 2018.

(51) **LOC (11) Cl.** **24-02**

(Continued)

(52) **U.S. Cl.**
USPC **D24/128**

Primary Examiner — David G Muller

(58) **Field of Classification Search**
USPC D24/127–131, 112–114, 133, 186;
606/181, 185; 604/264, 523–528, 272,
604/187, 158, 164.01–164.11, 181, 184,
604/227; 600/101, 139, 143;
128/200.24, 207.14, 207.15

(74) *Attorney, Agent, or Firm* — Honigman LLP

CPC A61M 25/00; A61M 39/00; A61M 27/00;
A61M 25/0043; A61M 25/0067; A61M
25/0097; A61F 2/958

(57) **CLAIM**

The ornamental design for a tamper-evident cover, as shown and described.

See application file for complete search history.

DESCRIPTION

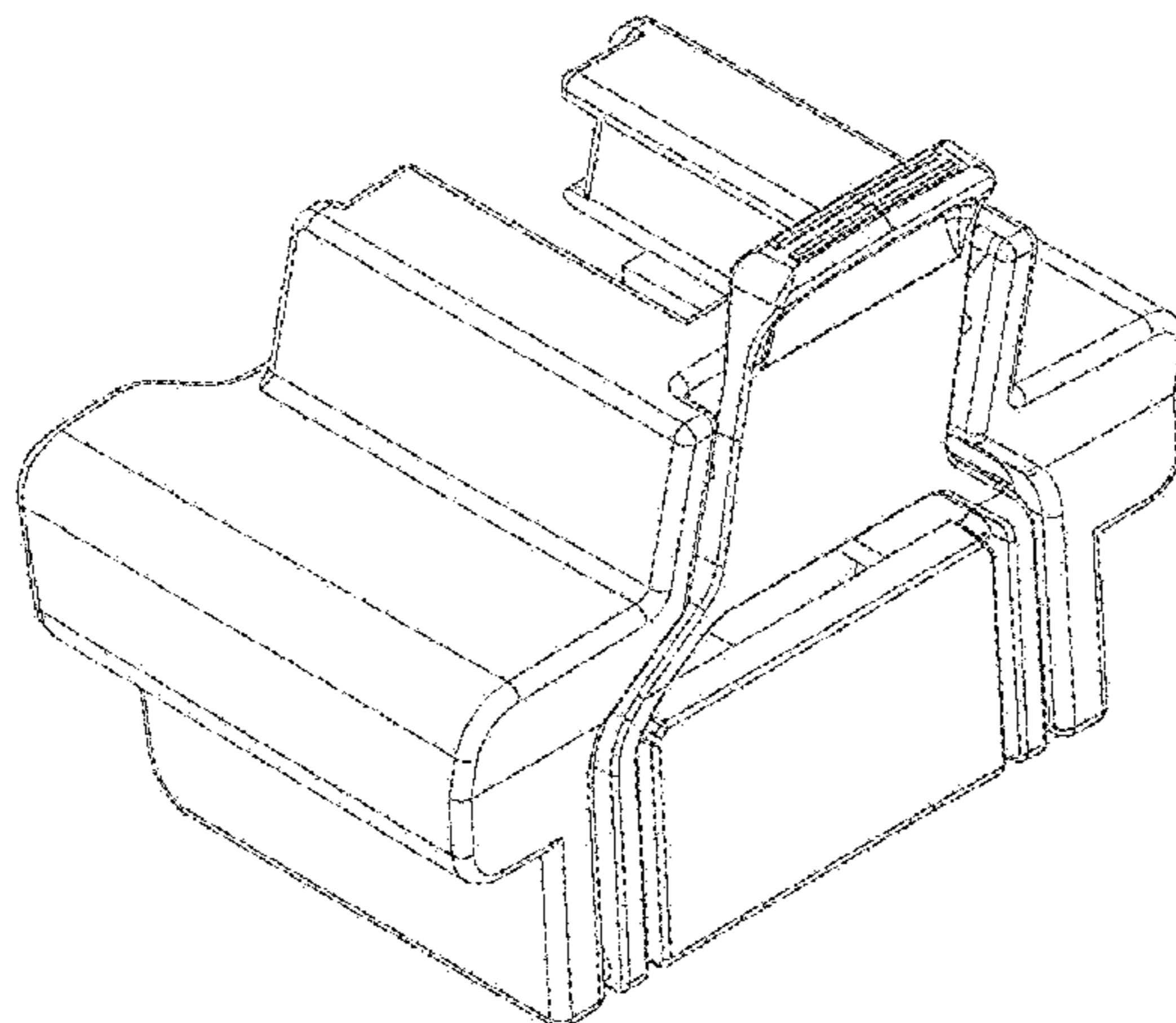
(56) **References Cited**

FIG. 1 is a front/left side, elevation view of a tamper-evident cover;
FIG. 2 is a left side elevation view thereof;
FIG. 3 is a right side elevation view thereof;
FIG. 4 is a bottom plan view thereof;
FIG. 5 is a top plan view thereof;
FIG. 6 is a front elevation view thereof; and,
FIG. 7 is a rear elevation view thereof.

U.S. PATENT DOCUMENTS

D367,531 S * 2/1996 Price D24/133
D431,650 S * 10/2000 Guala D24/129
D597,666 S * 8/2009 George D24/128
D601,247 S * 9/2009 Hardin D24/128

1 Claim, 7 Drawing Sheets



(56)

References Cited

FOREIGN PATENT DOCUMENTS

CN	301391186	11/2010
CN	303223493	5/2015

OTHER PUBLICATIONS

Taiwanese Notice of Allowance for Design Application S.N. 106305495
dated Apr. 11, 2018.

Taiwanese Notice of Allowance for Design Application S.N. 106305494
dated Apr. 11, 2018.

Taiwanese Notice of Allowance for Design Application S.N. 106305499
dated Apr. 19, 2018.

Taiwanese Notice of Allowance for Design Application S.N. 106305503
dated Apr. 11, 2018.

* cited by examiner

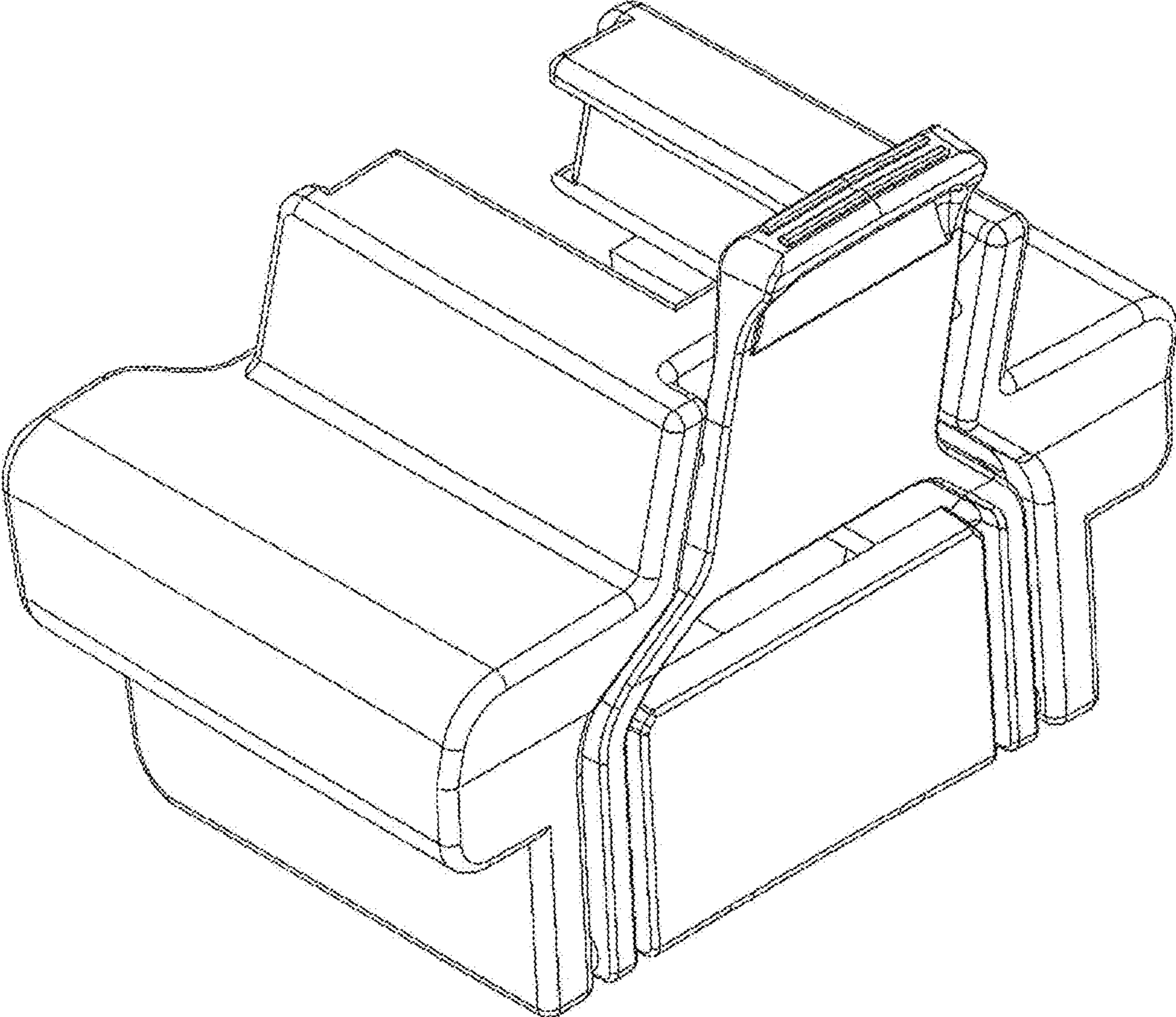


FIG. 1

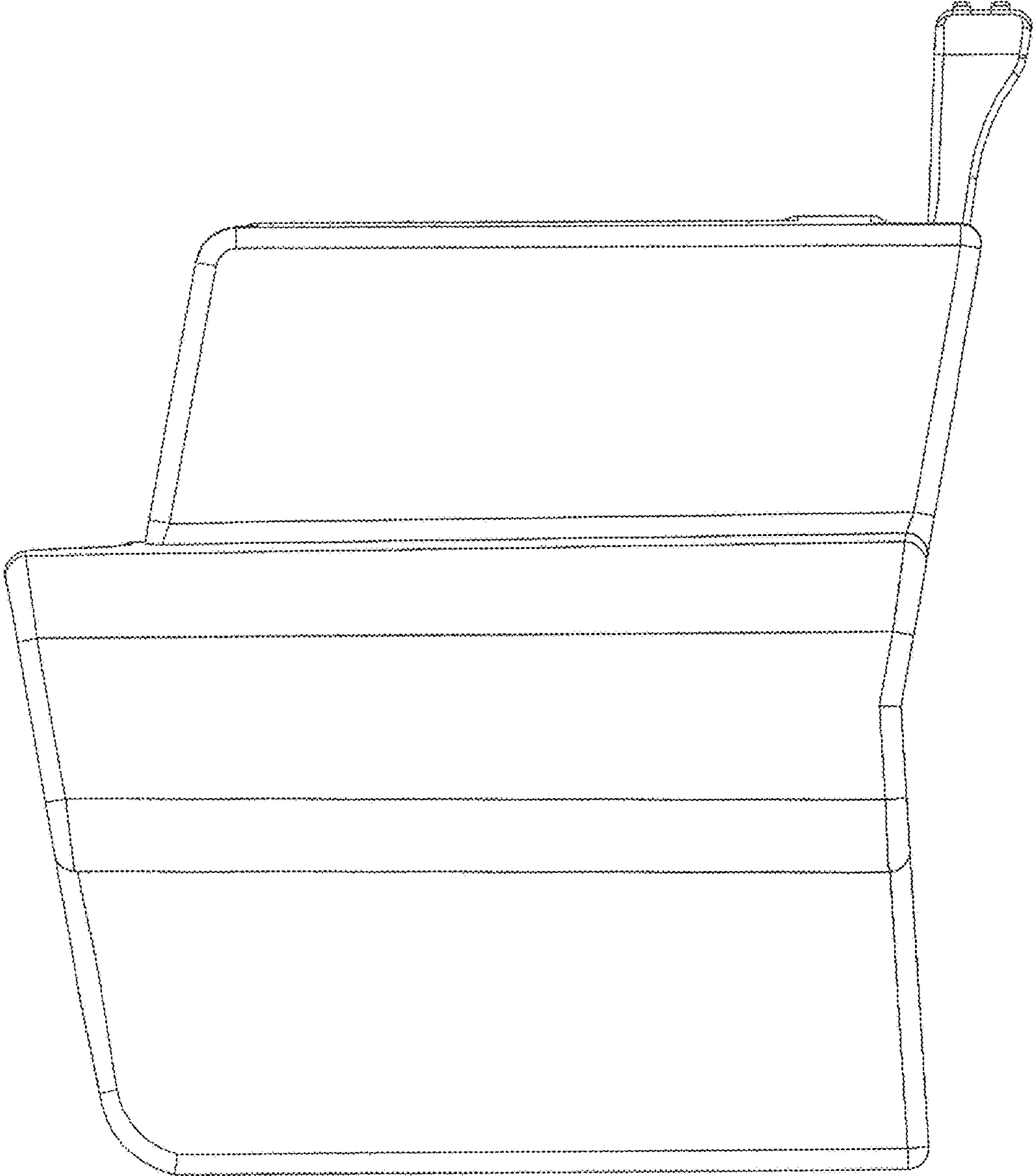


FIG. 2

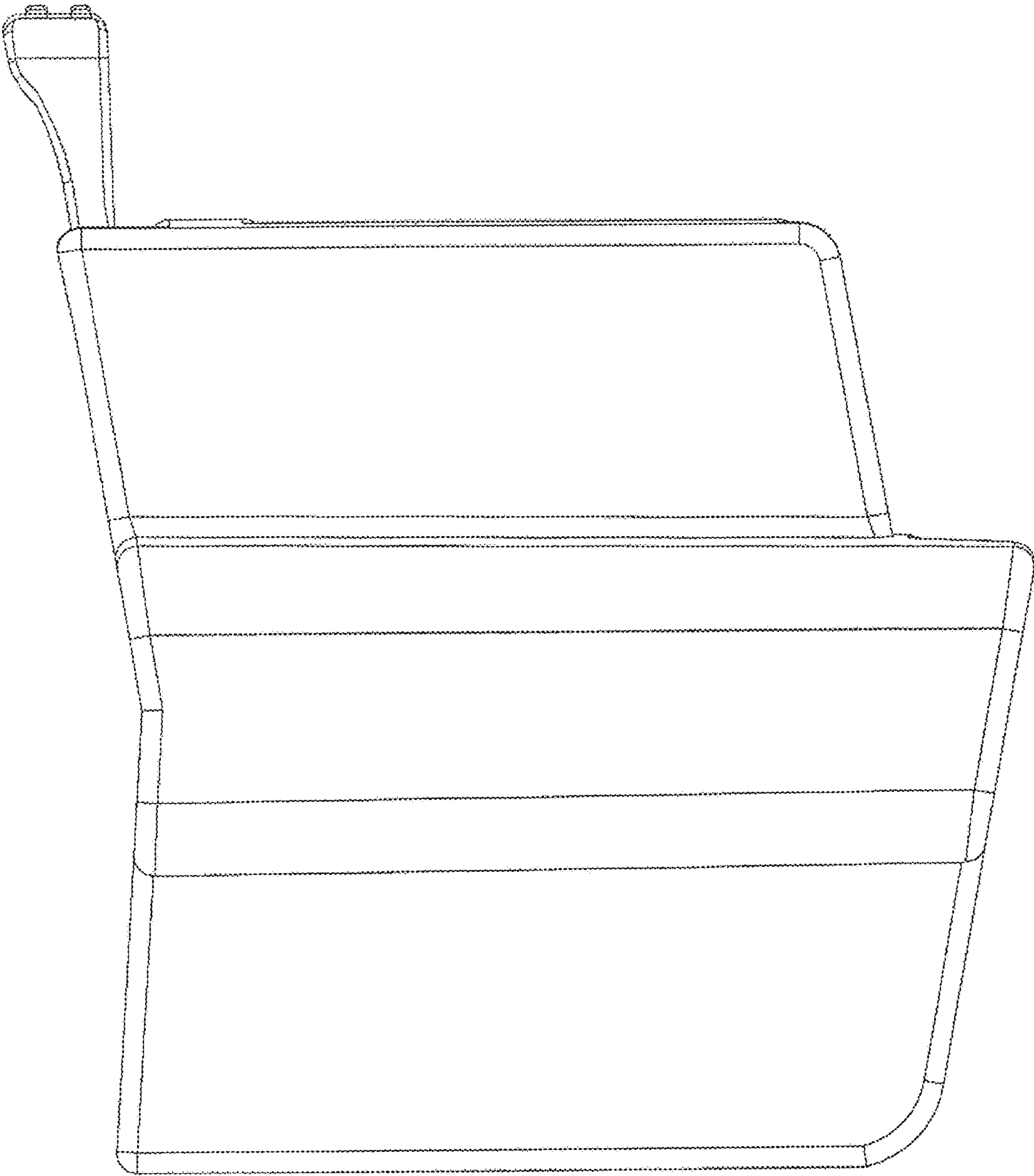


FIG. 3

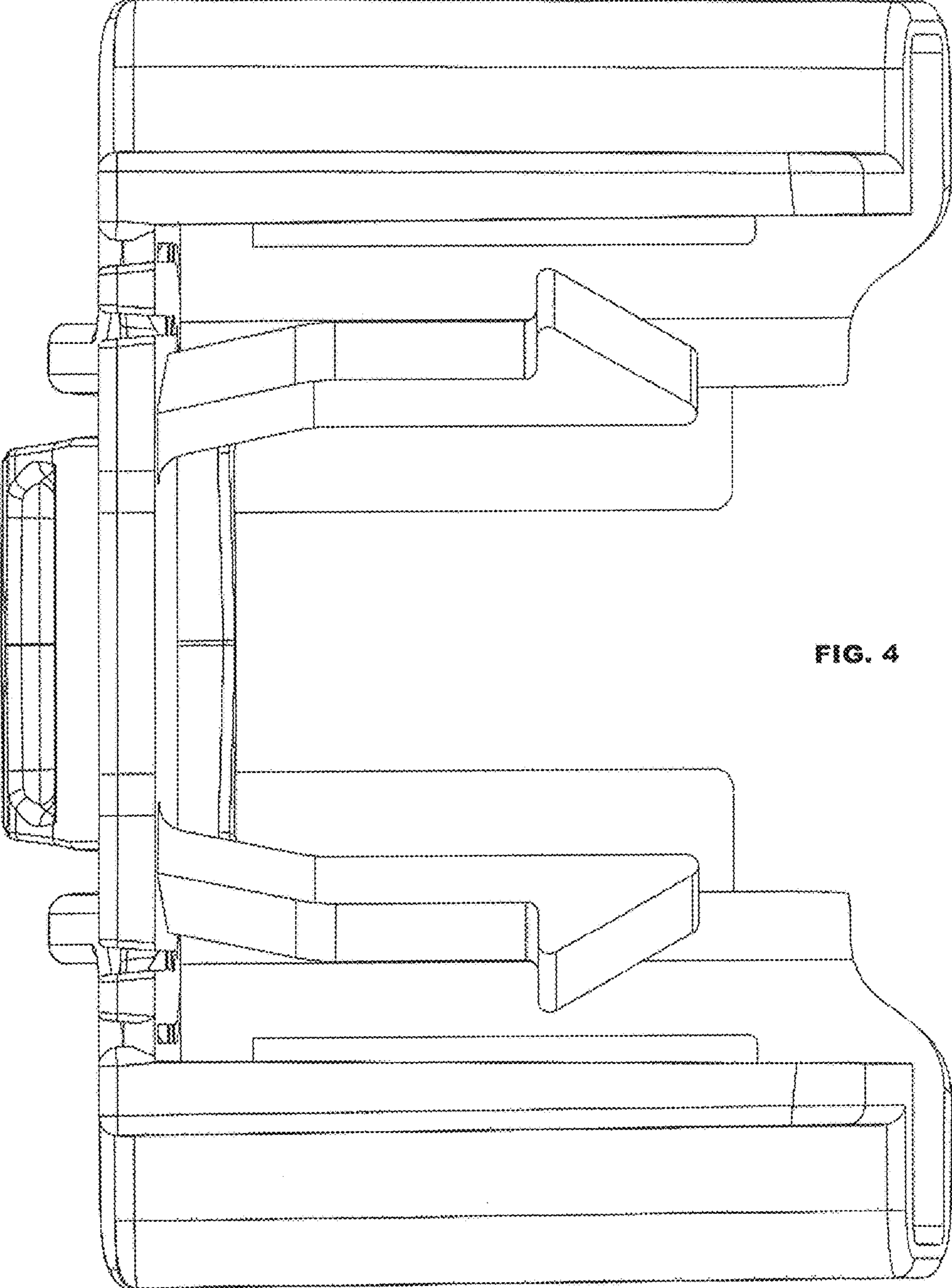
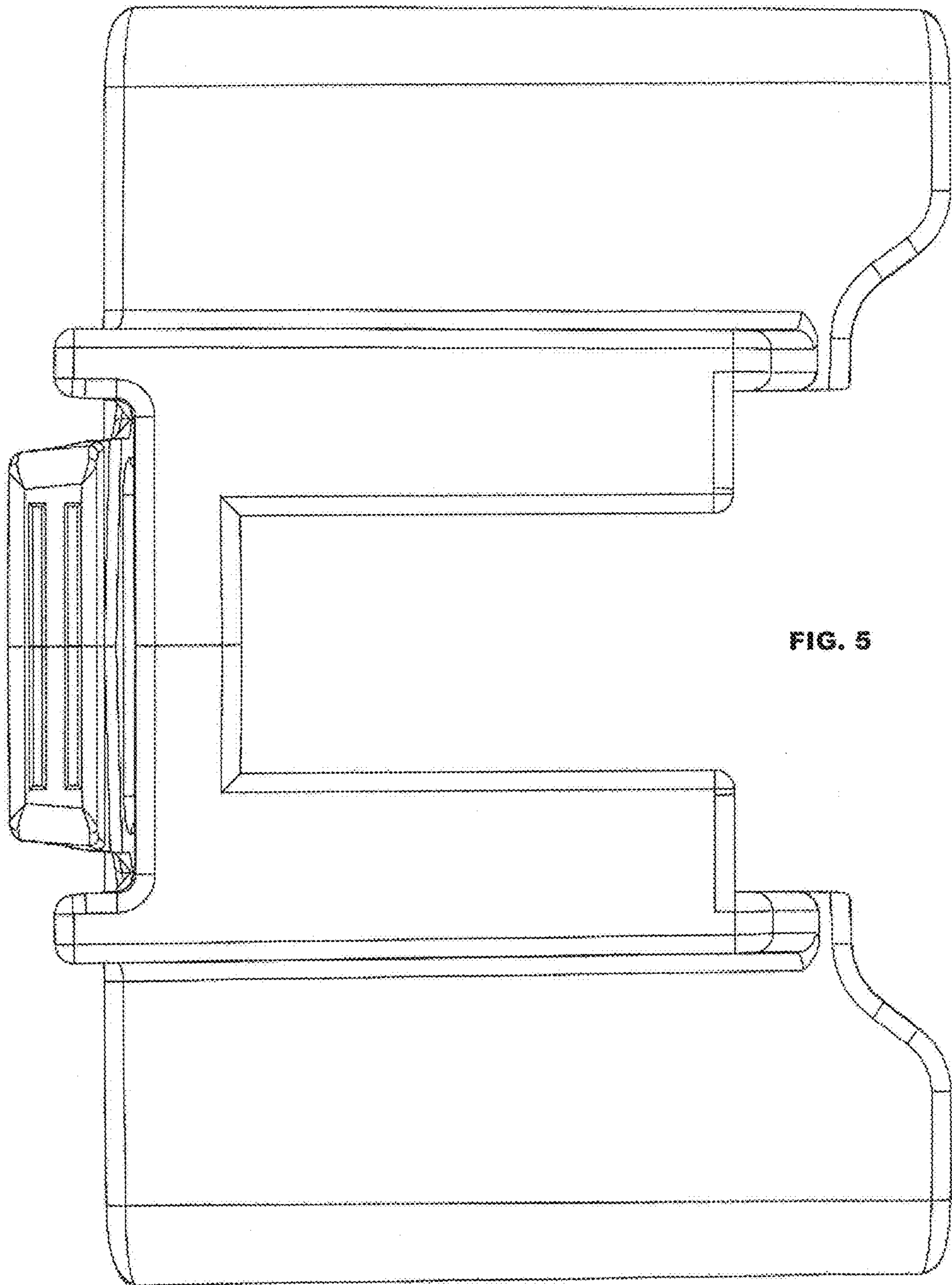


FIG. 4



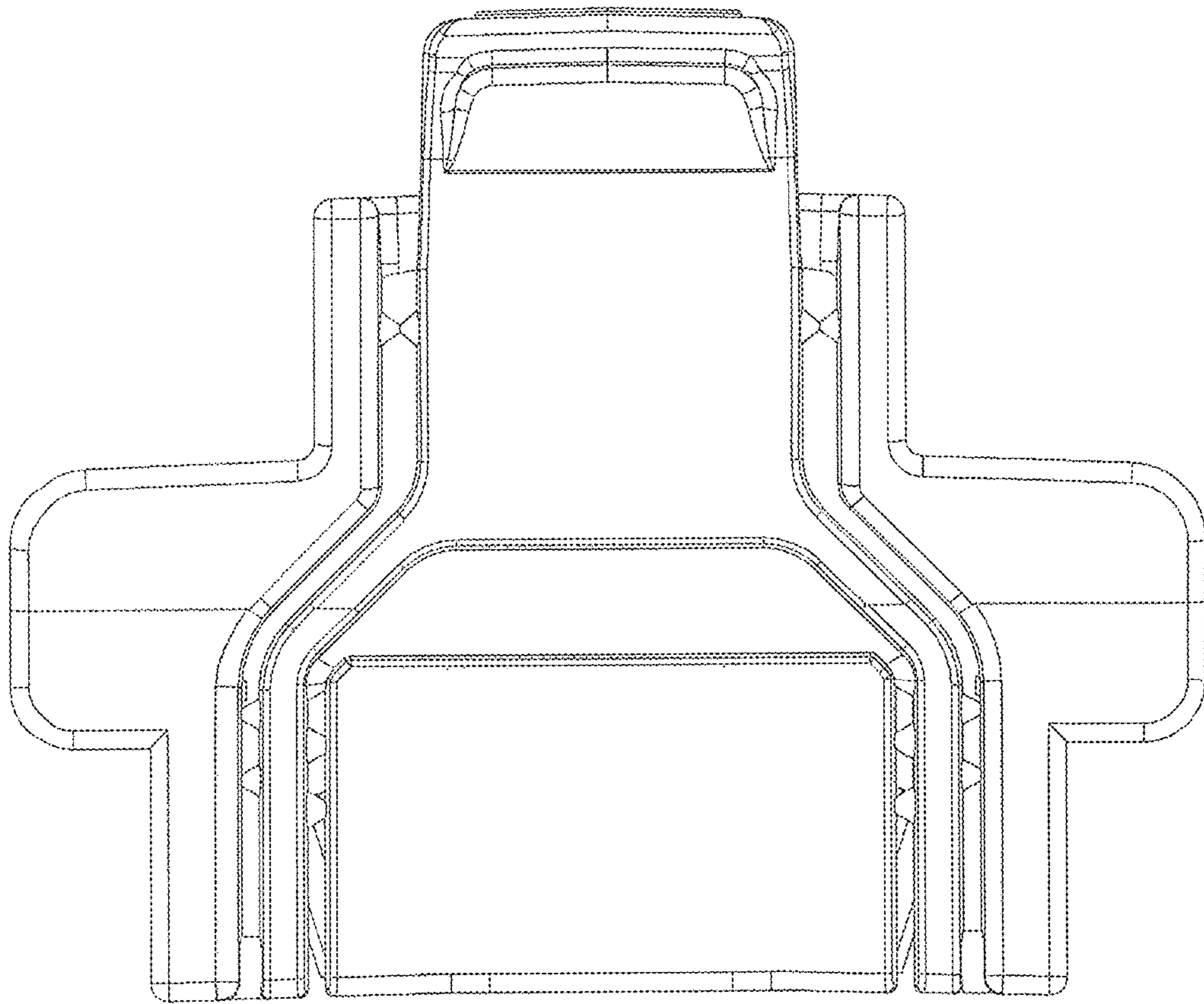


FIG. 6

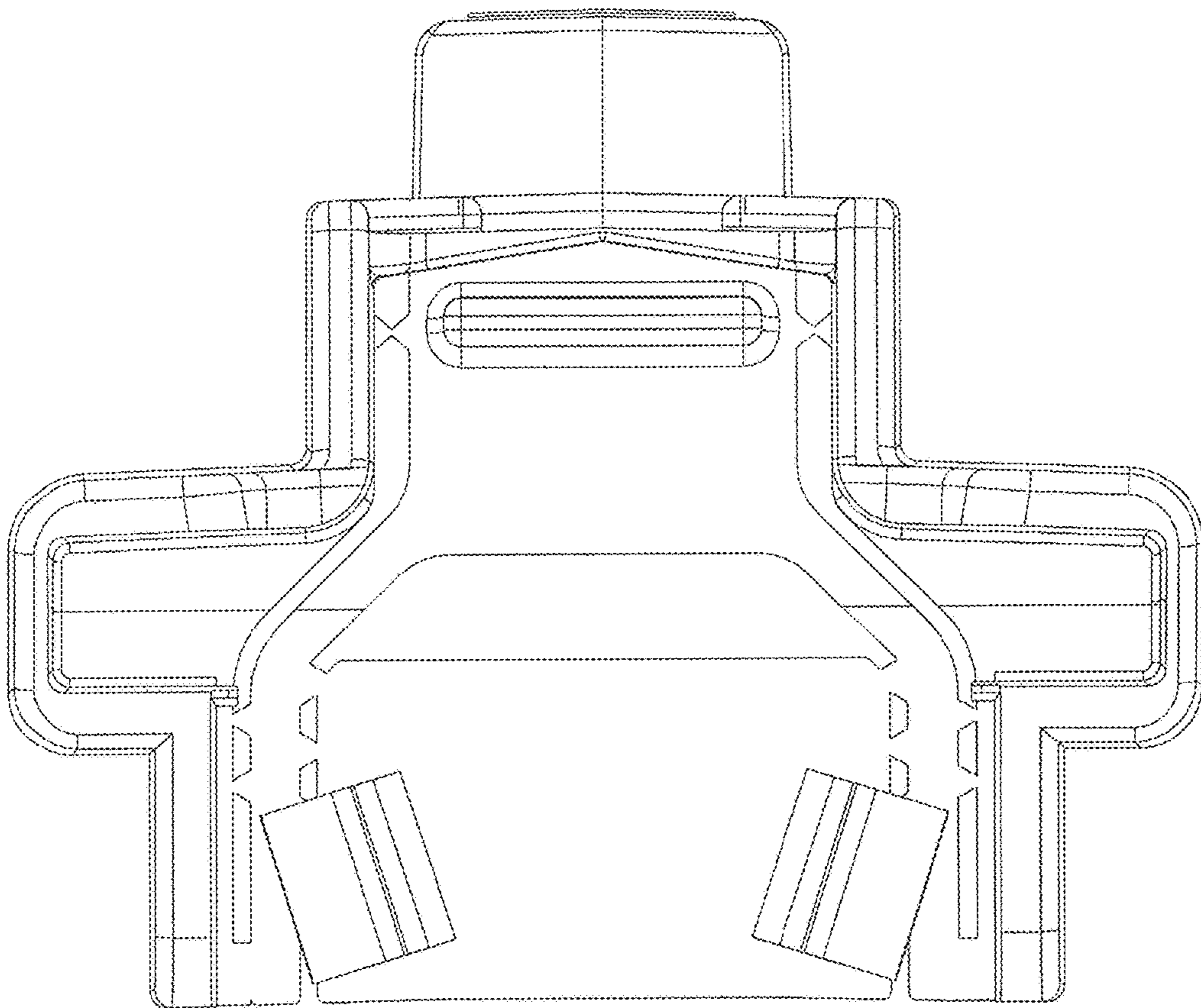


FIG. 7