



US00D855176S

(12) **United States Design Patent** (10) **Patent No.:** **US D855,176 S**
Yang et al. (45) **Date of Patent:** **** Jul. 30, 2019**

(54) **INJECTOR FOR MEDICINE**
(71) Applicant: **Samsung Bioepis Co., Ltd.**, Incheon (KR)
(72) Inventors: **Jee Eun Yang**, Incheon (KR); **Sang Bin Park**, Incheon (KR); **Jae Min Song**, Incheon (KR); **Yong Kook Kim**, Incheon (KR)
(73) Assignee: **Samsung Bioepis Co., Ltd.**, Incheon (KR)
(**) Term: **15 Years**
(21) Appl. No.: **29/631,008**
(22) Filed: **Dec. 26, 2017**

(30) **Foreign Application Priority Data**
Jun. 26, 2017 (KR) 30-2017-0029239
(51) **LOC (11) Cl.** **24-02**
(52) **U.S. Cl.**
USPC **D24/114**
(58) **Field of Classification Search**
USPC D24/112–114, 108, 133, 130, 127, 186;
606/181, 185; 604/264, 272, 187, 181,
604/184, 227
CPC A61M 5/178; A61M 3/00; A61M 5/20;
A61M 5/31; A61M 5/3146; A61M
5/3129; A61M 5/3148; A61M 5/315
See application file for complete search history.

(56) **References Cited**
U.S. PATENT DOCUMENTS
D419,671 S * 1/2000 Jansen D24/112
D447,797 S * 9/2001 Odell D24/112

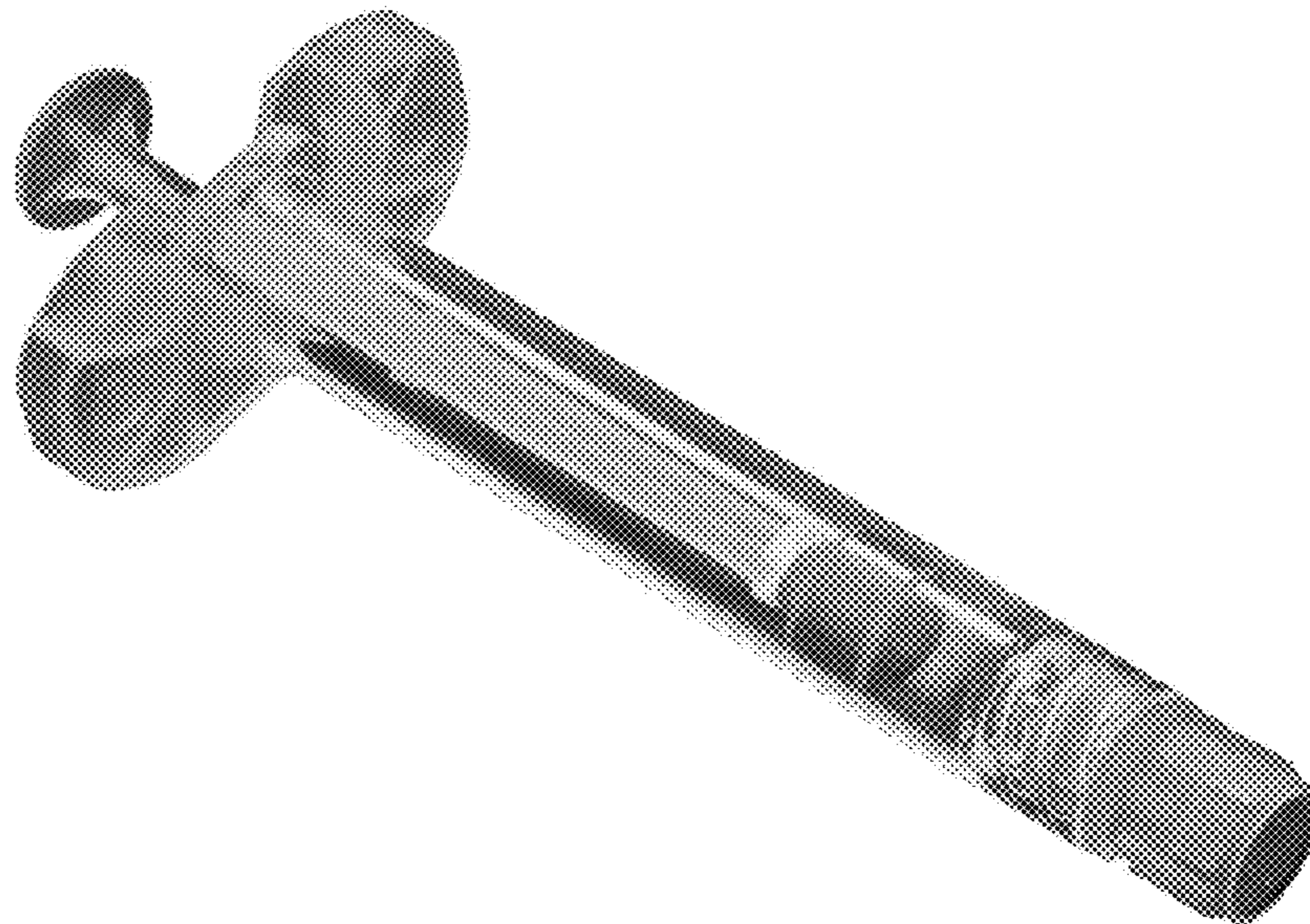
D578,210 S * 10/2008 Muta D24/114
D667,950 S * 9/2012 Hyun D24/130
D674,086 S * 1/2013 Khalaj D24/114
D721,803 S * 1/2015 Dubach D24/114
D729,931 S * 5/2015 Takeuchi D24/114
D743,025 S * 11/2015 Berler D24/114
D771,807 S * 11/2016 Zalewski D24/130
D785,162 S * 4/2017 Swisher D24/114
D792,579 S * 7/2017 Ohashi D24/114
D804,651 S * 12/2017 Loonan D24/114
D819,805 S * 6/2018 Knight D24/114

* cited by examiner
Primary Examiner — David G Muller
(74) *Attorney, Agent, or Firm* — Novick, Kim & Lee, PLLC; Sang Ho Lee

(57) **CLAIM**
We claim the ornamental design for an injector for medicine, as shown and described.

DESCRIPTION
FIG. 1 is a perspective view of an injector for medicine, showing our new design;
FIG. 2 is a front elevational view thereof;
FIG. 3 is a rear elevational view thereof;
FIG. 4 is a left side elevational view thereof;
FIG. 5 is a right side elevational view thereof;
FIG. 6 is a top plan view thereof;
FIG. 7 is a bottom plan view thereof; and,
FIG. 8 is a close-up view of a front end of the injector as shown in FIG. 6.

1 Claim, 6 Drawing Sheets



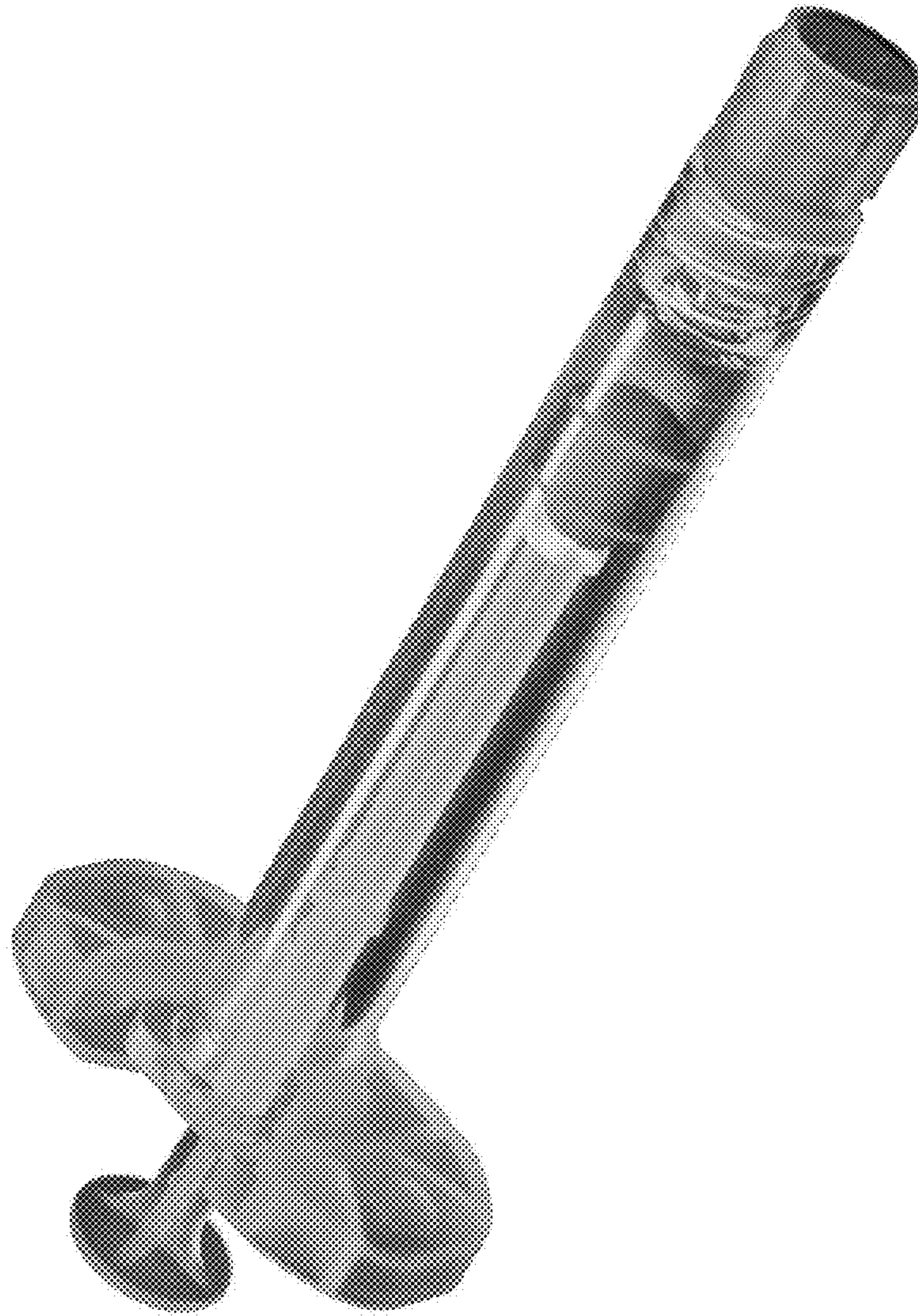


FIG. 1

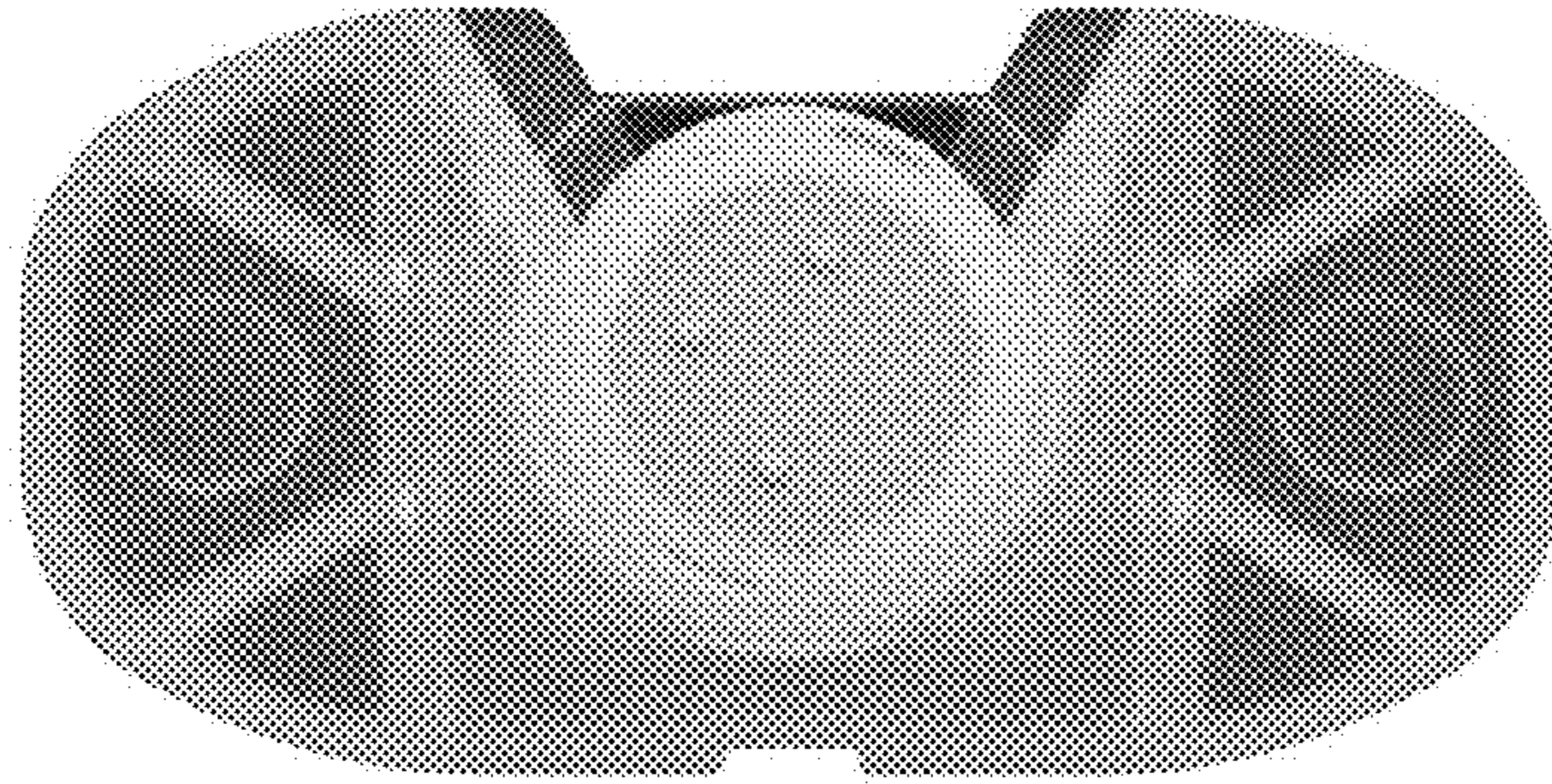


FIG. 2

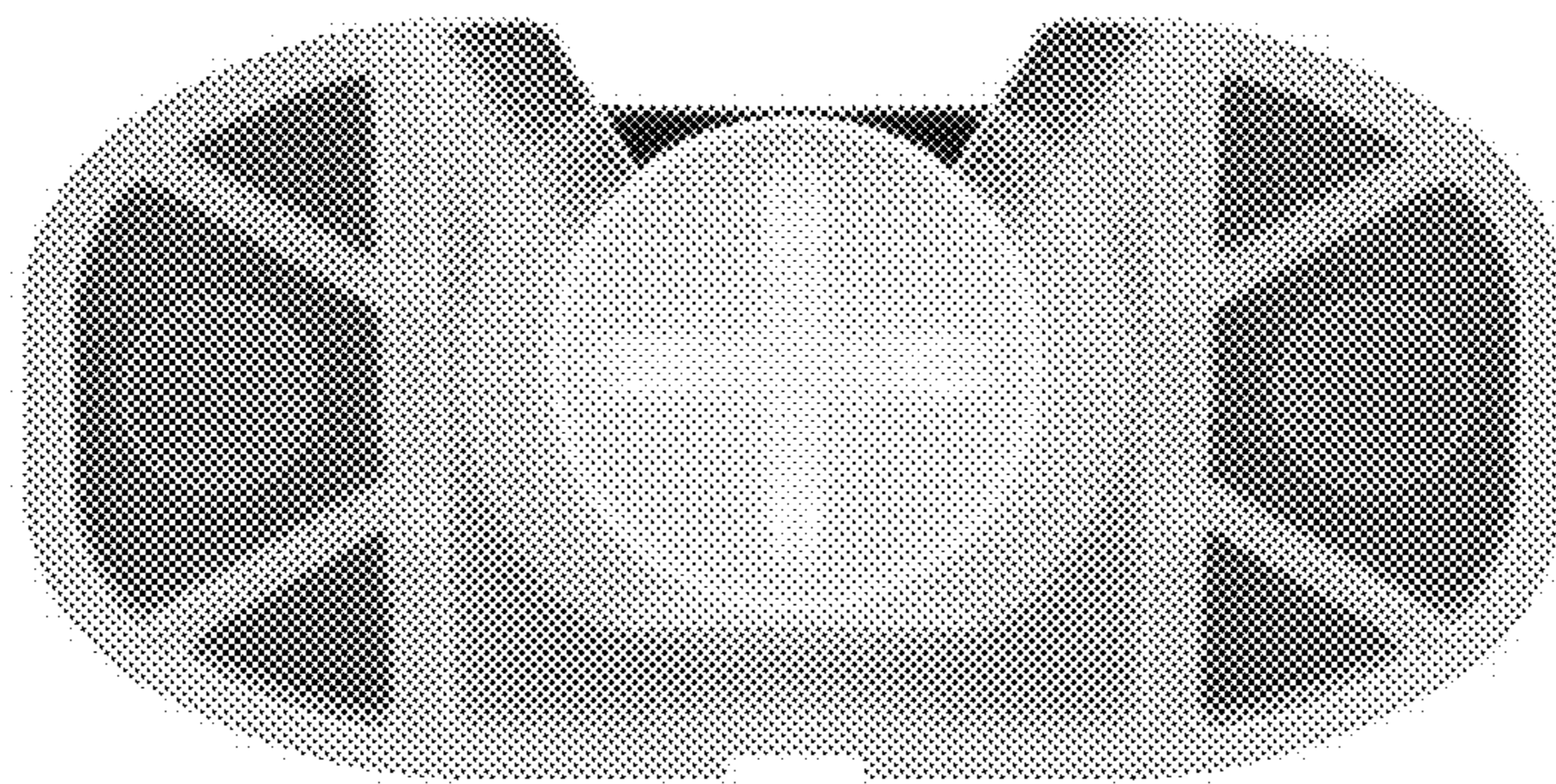


FIG. 3

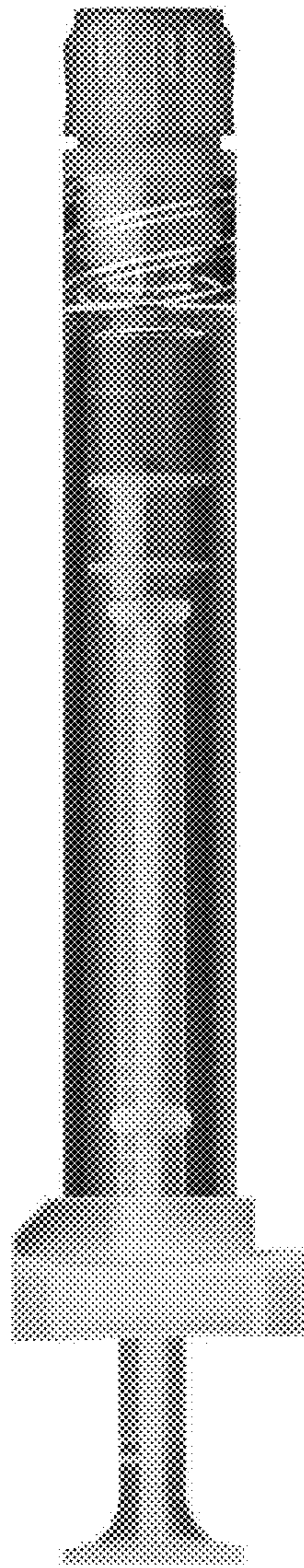


FIG. 4

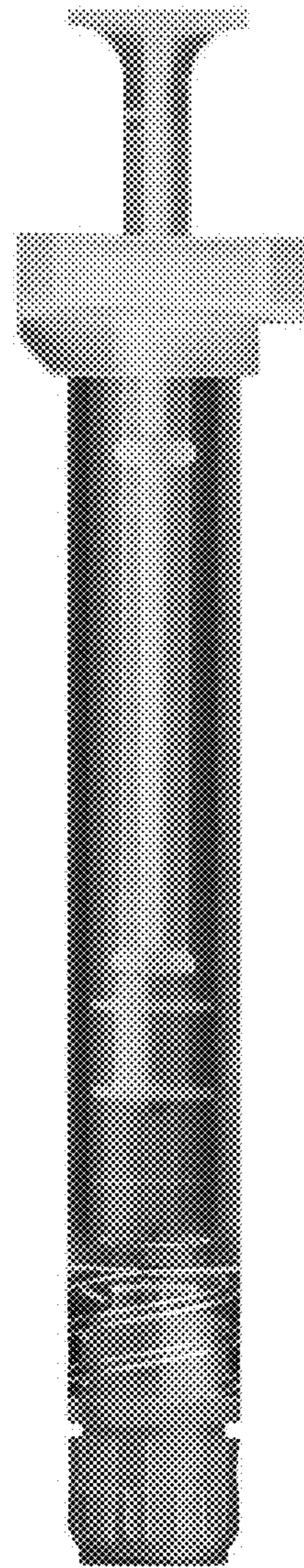


FIG. 5



FIG. 6

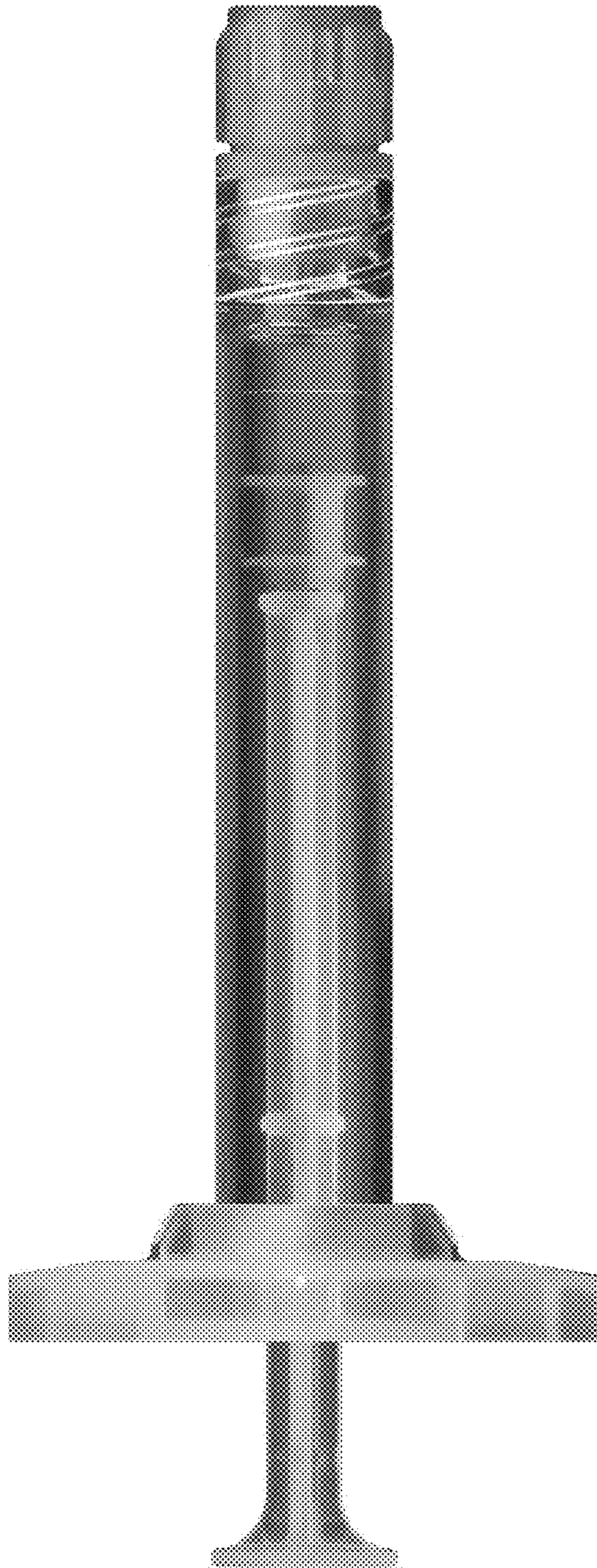


FIG. 7

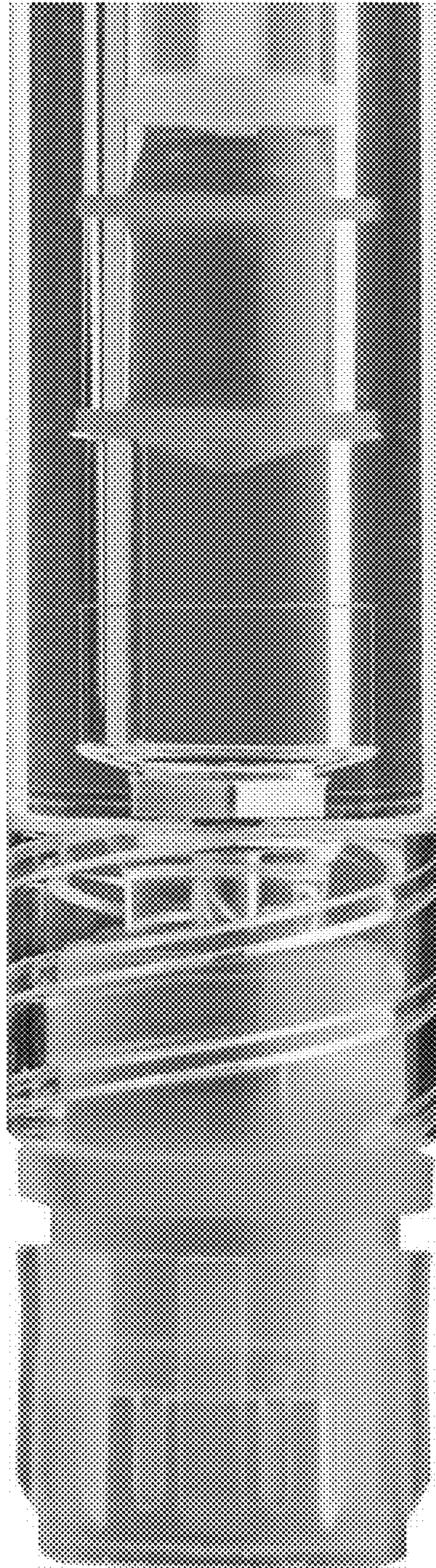


FIG. 8