



US00D855175S

(12) **United States Design Patent**
Epple

(10) **Patent No.:** **US D855,175 S**

(45) **Date of Patent:** **** Jul. 30, 2019**

(54) **PURGE CASSETTE OF A CATHETER PUMP**
(71) Applicant: **CARDIOBRIDGE GMBH**, Hechingen (DE)
(72) Inventor: **Klaus Epple**, Rangendingen (DE)
(**) Term: **15 Years**
(21) Appl. No.: **35/503,115**

5,807,075 A * 9/1998 Jacobsen A61M 5/142
417/313
5,899,674 A * 5/1999 Jung A61M 1/0058
417/477.2
D471,274 S * 3/2003 Diaz D24/111
D557,803 S * 12/2007 Muri D24/111
D585,543 S * 1/2009 Yodfat D24/111
D677,783 S * 3/2013 Naef D24/111
D781,413 S * 3/2017 Medugorac D24/111
D815,731 S * 4/2018 Medugorac D24/111
2004/0034331 A1* 2/2004 Toman A61M 5/14216
604/500

(22) Filed: **Dec. 9, 2016**

* cited by examiner

(80) **Hague Agreement Data**

Primary Examiner — Darlington Ly

Int. Filing Date: **Dec. 9, 2016**
Int. Reg. No.: **DM/094072**
Int. Reg. Date: **Dec. 9, 2016**
Int. Reg. Pub. Date: **Jun. 9, 2017**

(57) **CLAIM**

The ornamental design for a purge cassette of a catheter pump, as shown and described.

(51) **LOC (11) Cl.** **24-02**

(52) **U.S. Cl.**
USPC **D24/111**

DESCRIPTION

(58) **Field of Classification Search**
USPC D24/108, 110, 111, 127-130
CPC A61M 3/0258; A61M 5/14228; A61M
2205/12

See application file for complete search history.

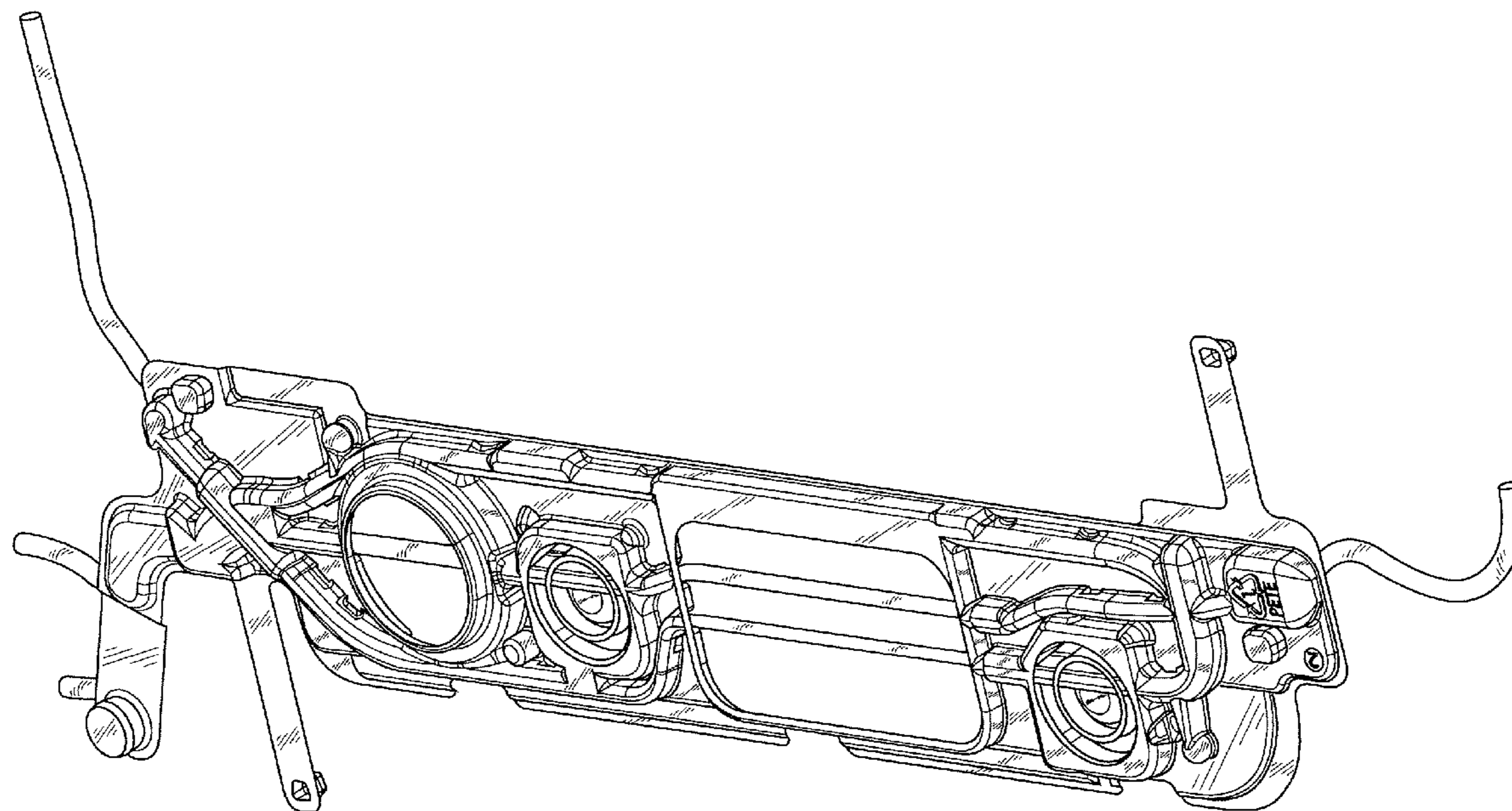
1. Purge cassette of a catheter pump
FIG. 1.1 is a front perspective view of a purge cassette of a catheter pump showing my new design;
FIG. 1.2 is a rear perspective view thereof;
FIG. 1.3 is a front elevation view thereof;
FIG. 1.4 is a rear elevation view thereof;
FIG. 1.5 is a left side elevation view thereof;
FIG. 1.6 is a right side elevation view thereof;
FIG. 1.7 is a top plan view thereof; and
FIG. 1.8 is a bottom plan view thereof.

(56) **References Cited**

U.S. PATENT DOCUMENTS

D305,150 S * 12/1989 Pastrone D24/111
5,743,878 A * 4/1998 Ross A61M 5/14244
604/131

1 Claim, 8 Drawing Sheets



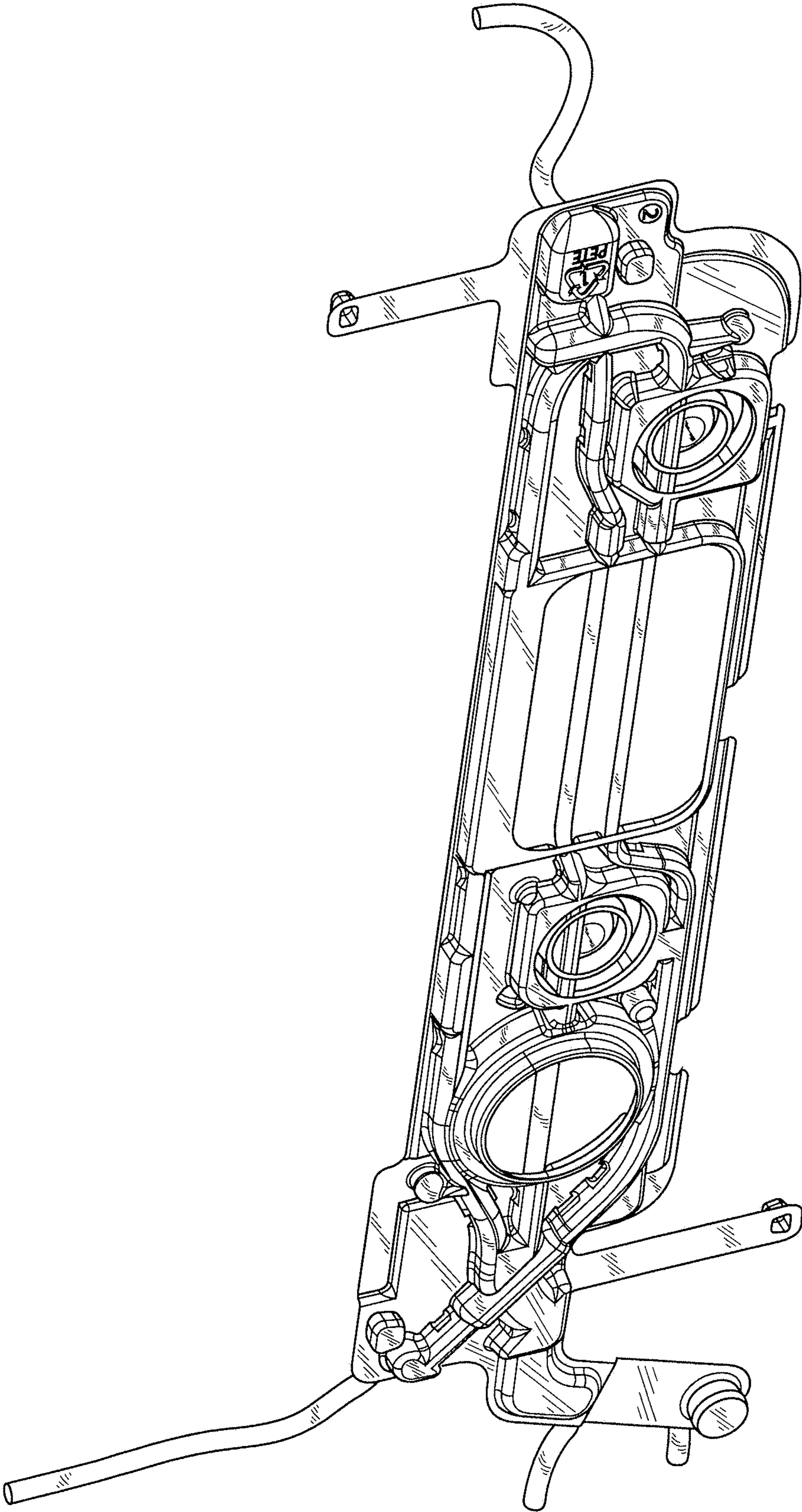


FIG. 1.1

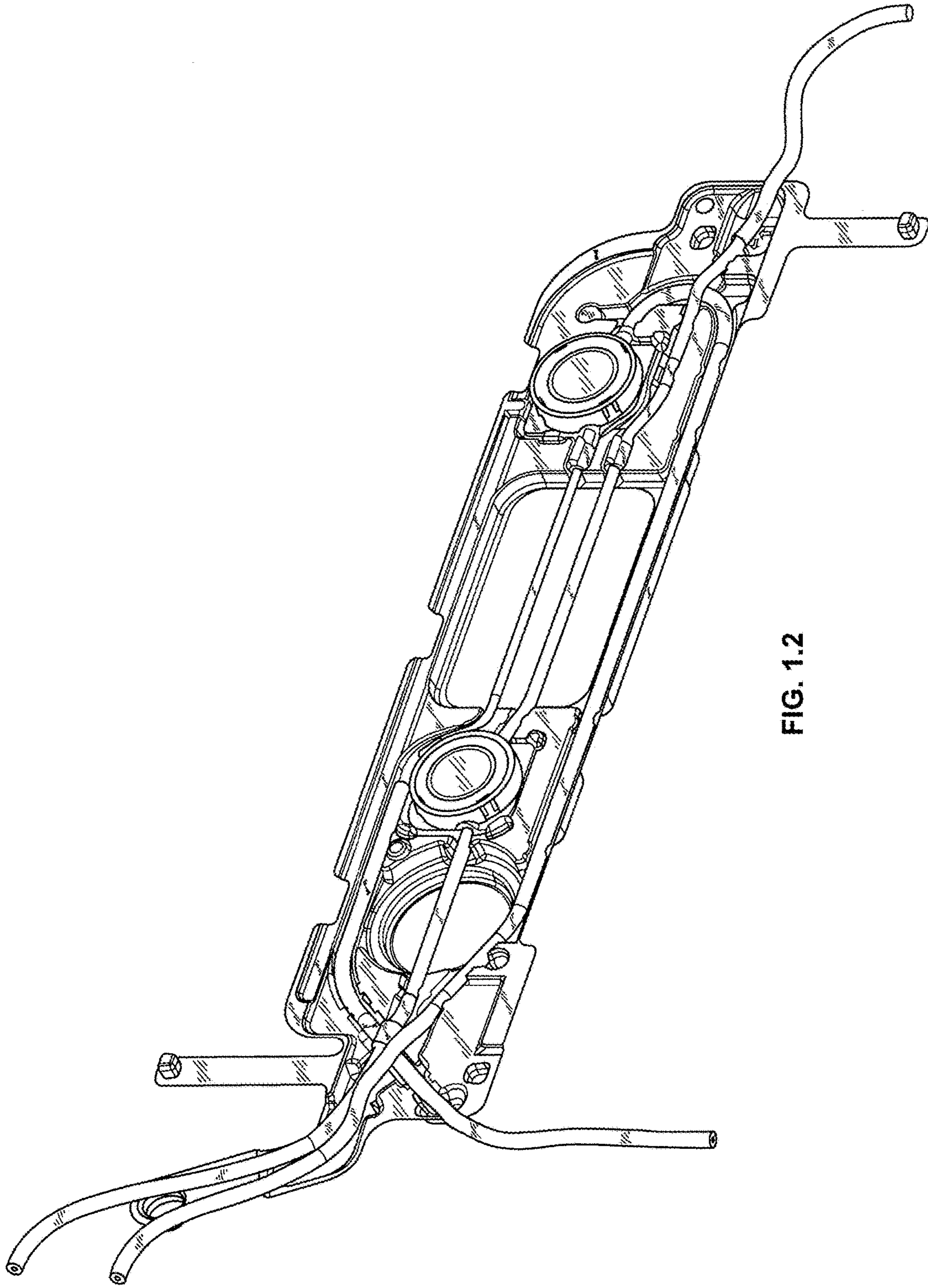


FIG. 1.2

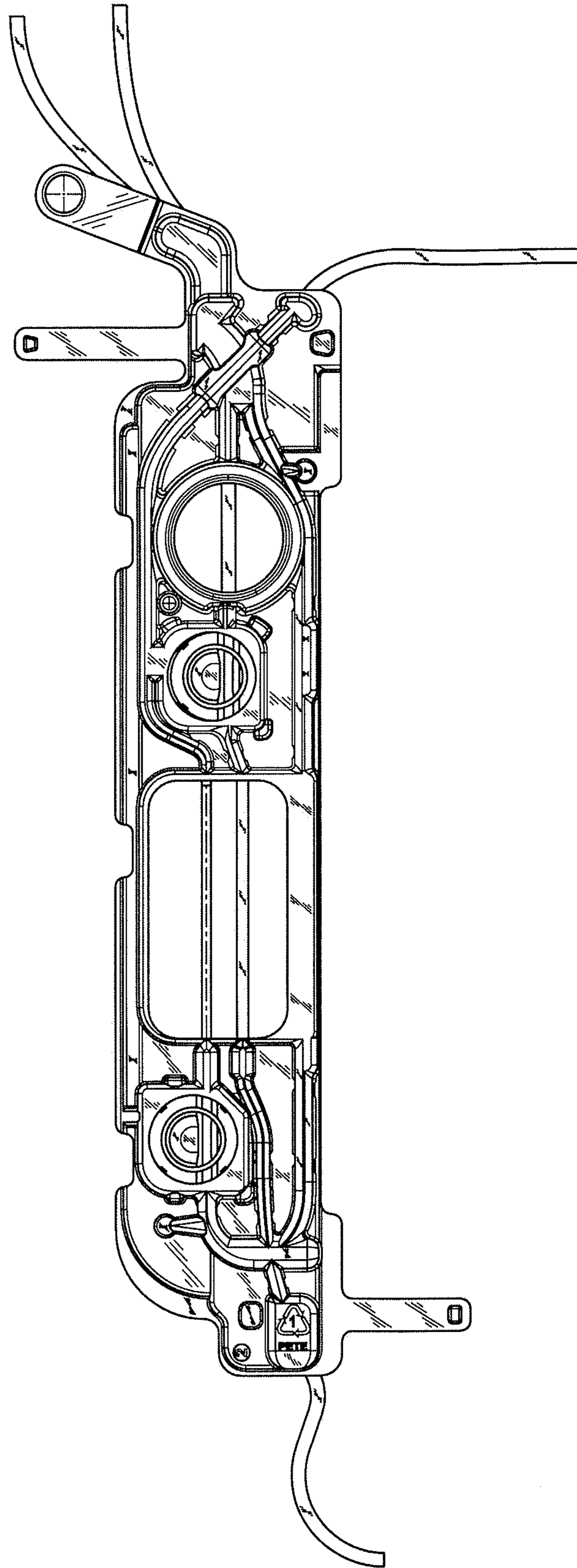


FIG. 1.3

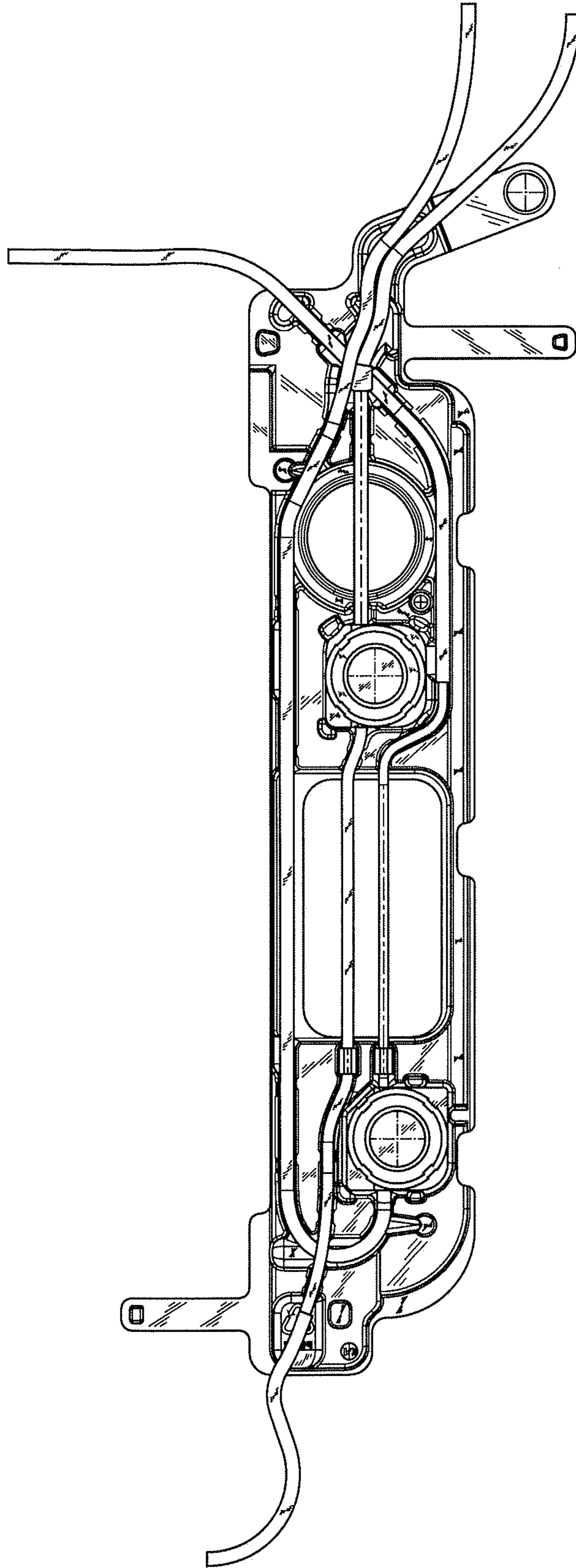


FIG. 1.4

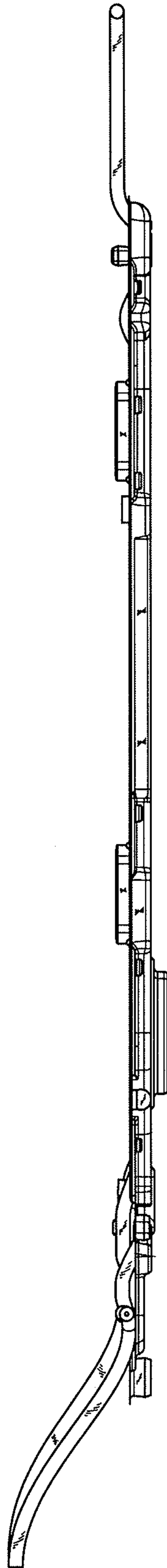


FIG. 1.5

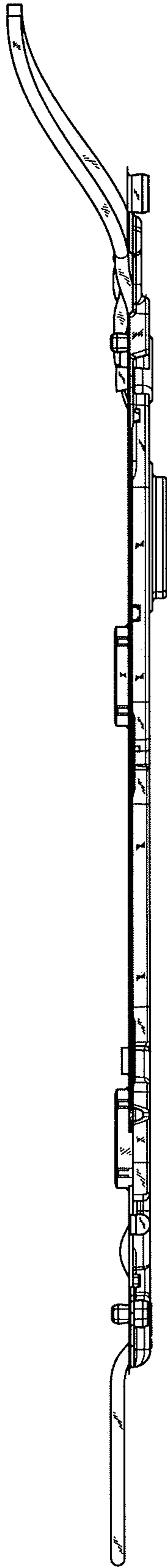


FIG. 1.6

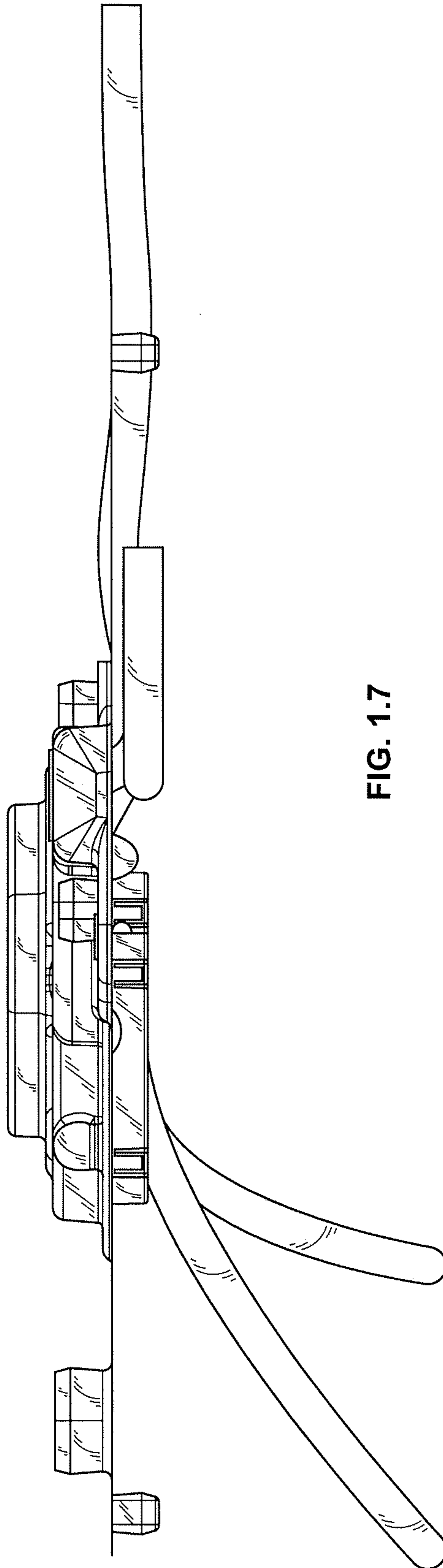


FIG. 1.7

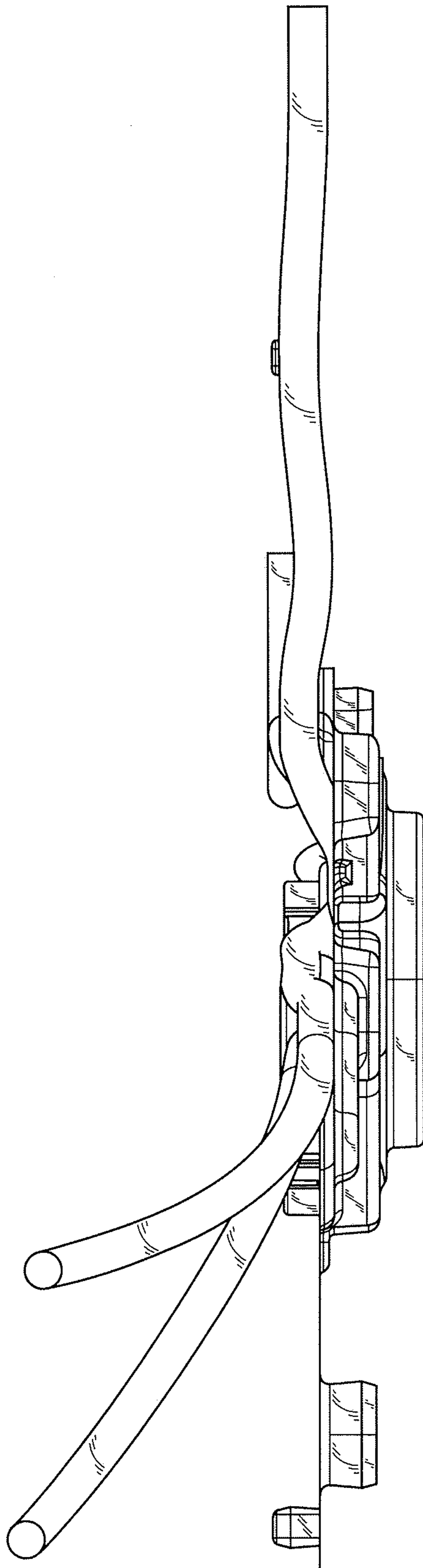


FIG. 1.8