



US00D855174S

(12) **United States Design Patent** (10) **Patent No.:** **US D855,174 S**  
**Fofack et al.** (45) **Date of Patent:** **\*\* Jul. 30, 2019**

(54) **SINGLE USE RESPIRATOR WITH TEXTILE KNITTED FABRIC**

(71) Applicant: **Honeywell International Inc.**, Morris Plains, NJ (US)

(72) Inventors: **Nicole Fofack**, Saint-Brieuc (FR); **Philippe Roussel**, Le Foeil (FR)

(73) Assignee: **HONEYWELL INTERNATIONAL INC.**, Morris Plains, NJ (US)

(\*\*) Term: **15 Years**

(21) Appl. No.: **29/622,216**

(22) Filed: **Oct. 16, 2017**

(51) **LOC (11) Cl.** ..... **29-02**

(52) **U.S. Cl.**  
USPC ..... **D24/110.1**

(58) **Field of Classification Search**

USPC ..... D24/110–110.6, 127, 129; D29/110  
CPC ..... A61M 16/0616; A61M 16/0633; A61M 16/06; A61M 16/0666; A61M 16/0683; A61M 16/0605; A61M 16/0622; A61M 16/0644; A61M 16/0875; A61M 16/0816; A61M 16/08; B63C 11/205; B63C 11/16; B63C 11/186; B63C 11/12

See application file for complete search history.

(56) **References Cited**

**U.S. PATENT DOCUMENTS**

1,297,842 A \* 3/1919 Harrlee ..... A61F 9/04  
119/832  
3,757,777 A \* 9/1973 Kaufman ..... A41D 13/1146  
128/206.19  
D285,374 S \* 8/1986 Huber ..... D24/110.1  
D285,496 S \* 9/1986 Berman ..... D24/110.4

(Continued)

**OTHER PUBLICATIONS**

Moldex 2300 Series N95 Respirators, posted at coopersafety.com, earliest date reviewed on Dec. 24, 2017, [online], acquired on

Oct. 16, 2018. Available from Internet, <URL: <https://www.coopersafety.com/brands/moldex-2300-series-n95-respirators-10-pack.html>> (Year: 2017).\*

(Continued)

*Primary Examiner* — Lilyana Bekic

*Assistant Examiner* — Aula Soroush

(74) *Attorney, Agent, or Firm* — Wick Phillips Gould & Martin, LLP

(57) **CLAIM**

The ornamental design for a single use respirator with textile knitted fabric, as shown and described.

**DESCRIPTION**

FIG. 1 is a front perspective view of a first embodiment of a single use respirator with textile knitted fabric in accordance with our new design;

FIG. 2 is a front elevation view thereof;

FIG. 3 is a rear elevation view thereof;

FIG. 4 is a right side elevation view thereof;

FIG. 5 is a left side elevation view thereof;

FIG. 6 is a top elevation view thereof; and;

FIG. 7 is a bottom elevation view thereof;

FIG. 8 is a front perspective view of a second embodiment of a single use respirator with textile knitted fabric in accordance with our new design;

FIG. 9 is a front elevation view thereof;

FIG. 10 is a rear elevation view thereof;

FIG. 11 is a right side elevation view thereof;

FIG. 12 is a left side elevation view thereof;

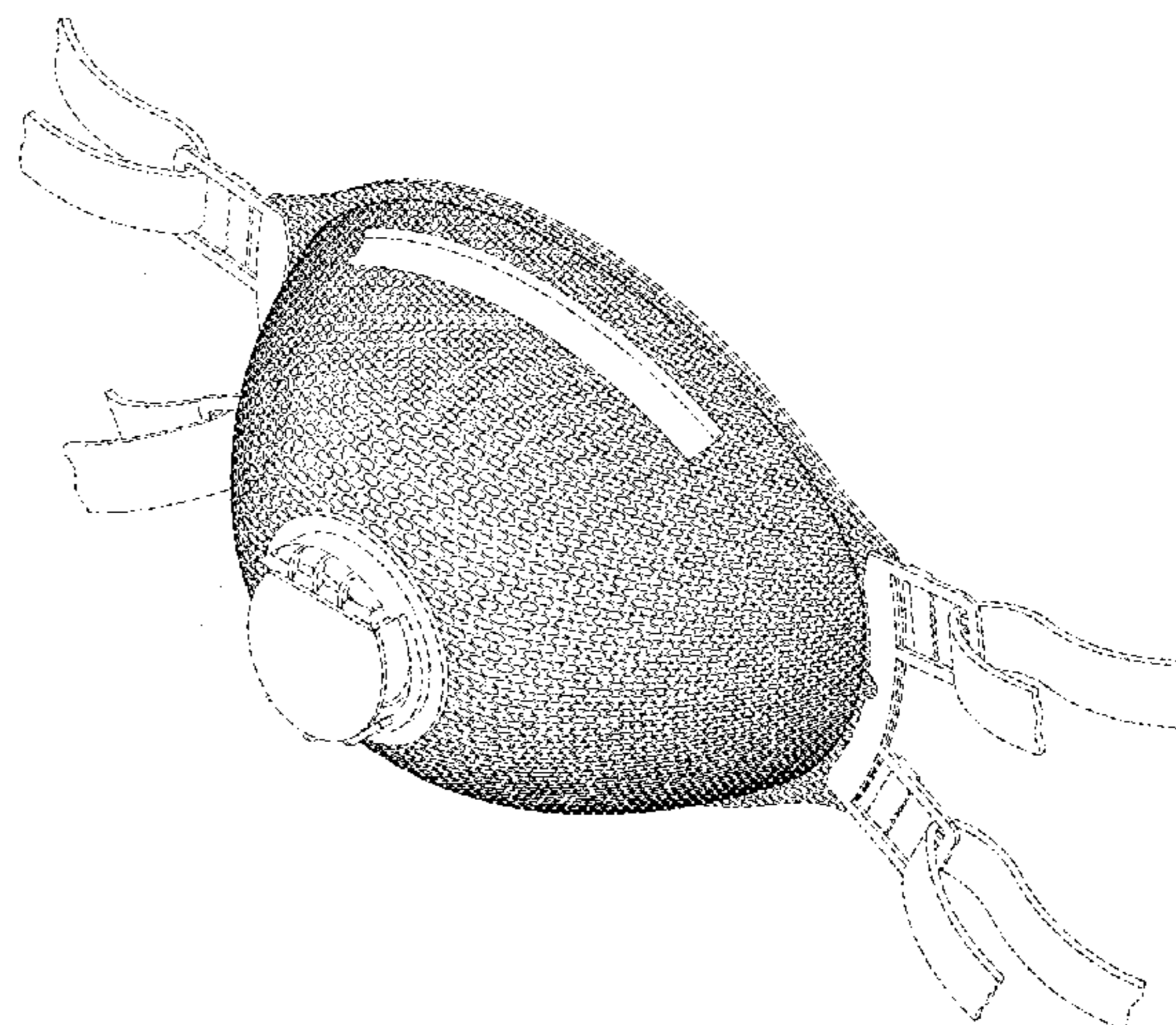
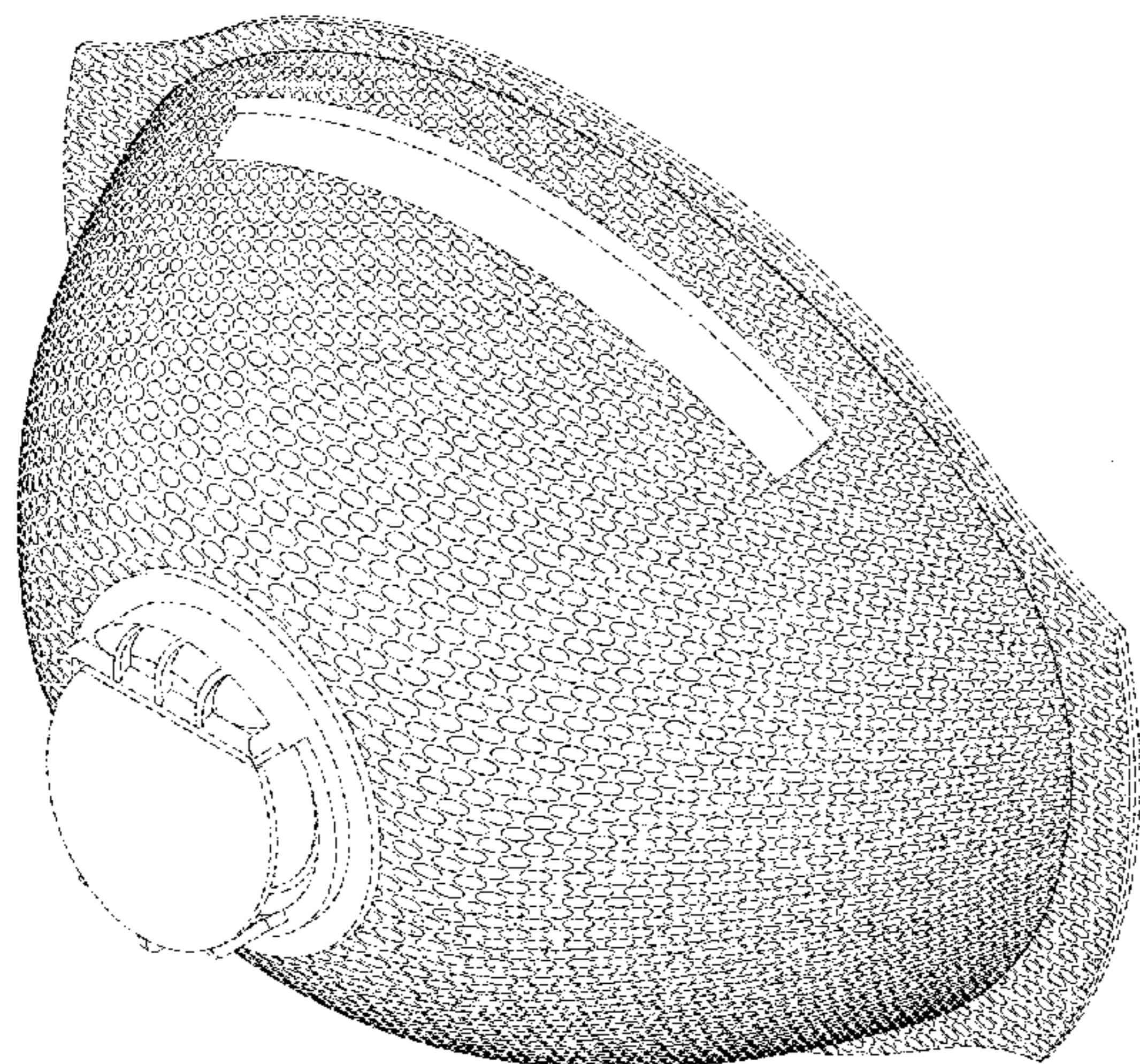
FIG. 13 is a top elevation view thereof;

FIG. 14 is a bottom elevation view thereof; and,

FIG. 15 is an exploded view thereof.

The broken line in the drawings depict portions of the single use respirator with textile knitted fabric that form no part of the claimed design.

**1 Claim, 13 Drawing Sheets**



(56)

**References Cited**

## U.S. PATENT DOCUMENTS

D647,197 S \* 10/2011 Grimsley ..... D24/110.1  
D679,376 S \* 4/2013 von Hollen ..... D24/110.1  
D695,886 S \* 12/2013 Dawson ..... D24/110.1  
D697,199 S \* 1/2014 Angadjivand ..... D24/110  
D699,839 S \* 2/2014 Voic ..... D24/127  
2006/0102183 A1\* 5/2006 Skov ..... A41D 13/1146  
128/206.19  
2007/0039620 A1\* 2/2007 Sustello ..... A41D 13/161  
128/206.22  
2011/0155137 A1\* 6/2011 Martin ..... A62B 18/025  
128/206.19  
2015/0289573 A1\* 10/2015 Haas ..... A41D 13/1192  
128/206.19  
2016/0114197 A1\* 4/2016 Fichman ..... A41D 13/1161  
128/863  
2016/0250824 A1 9/2016 Krishnasamy et al.  
2018/0236275 A1\* 8/2018 Song ..... A62B 18/006

## OTHER PUBLICATIONS

Honeywell SAF-T-FIT Plus N1139, posted at earplugstore.com, earliest date reviewed on Jul. 27, 2017, [online], acquired on Oct. 16, 2018. Available from Internet, <URL: <https://www.earplugstore.com/honeywell-14110402-disposable-respirator-mask.html>> (Year: 2017).\*

Bilisik, K. "3D Fabrics for Technical Textile Applications." Intech, Mar. 2016, 64 pages.

\* cited by examiner

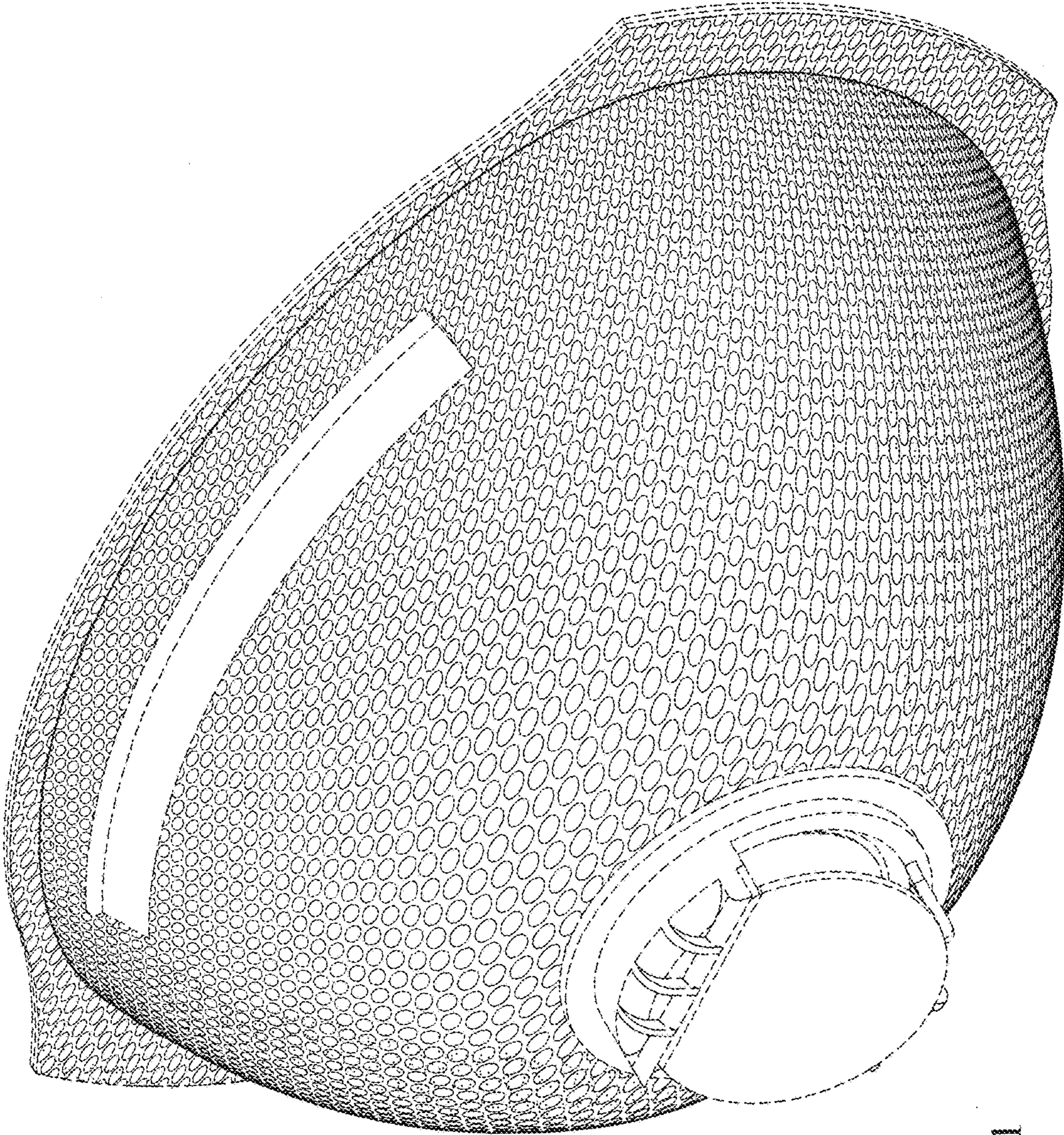


FIG. 1

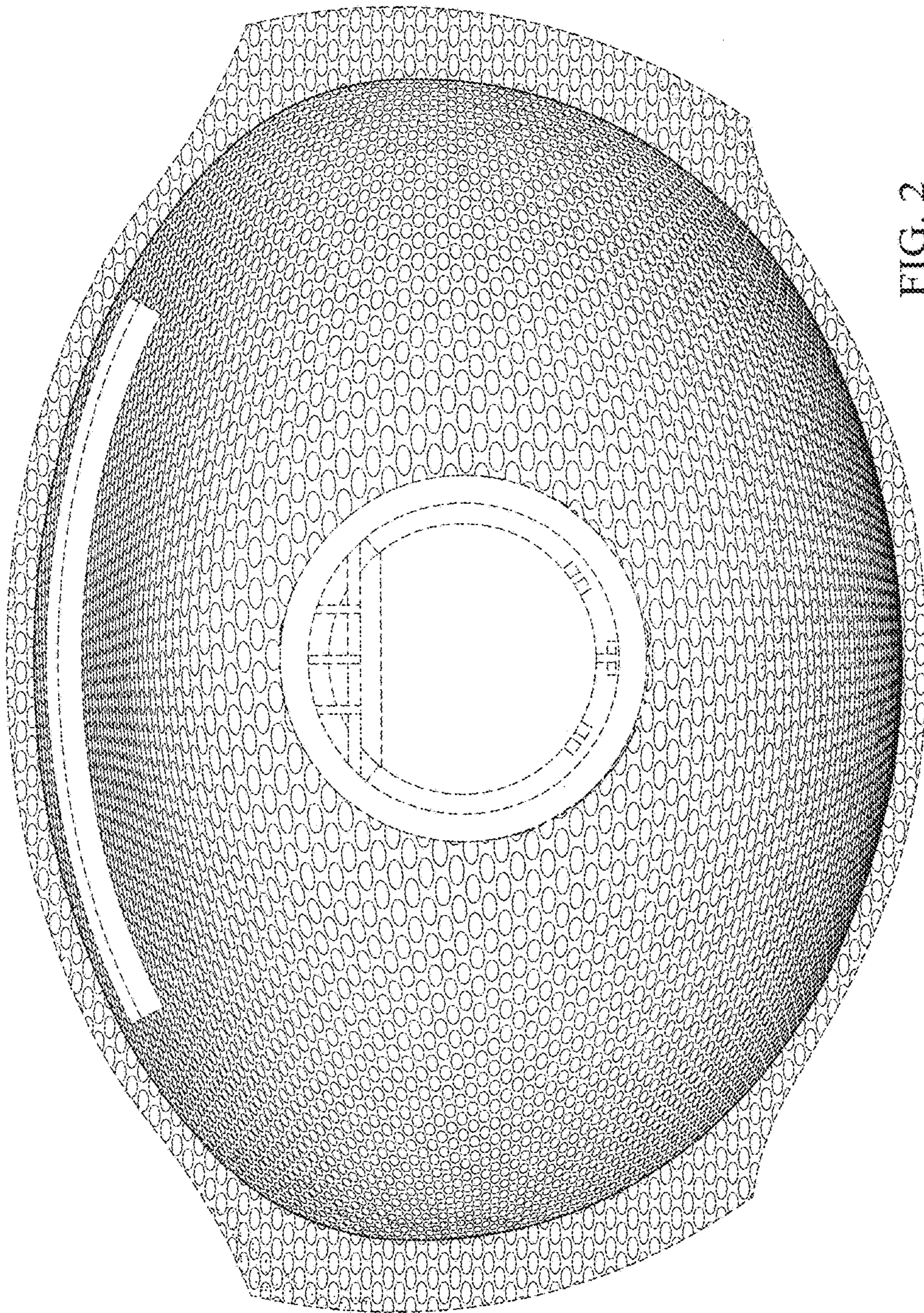


FIG. 2

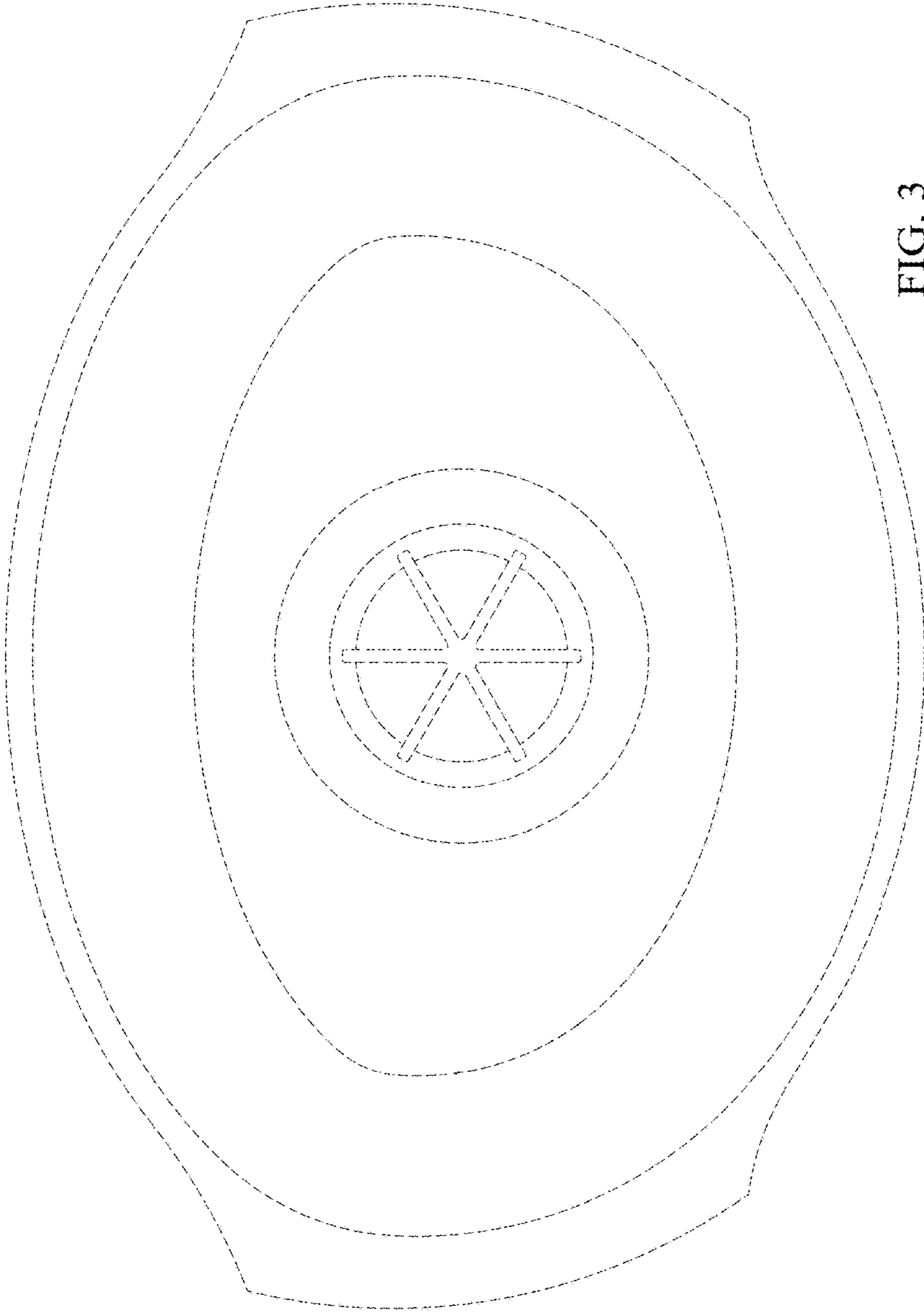


FIG. 3

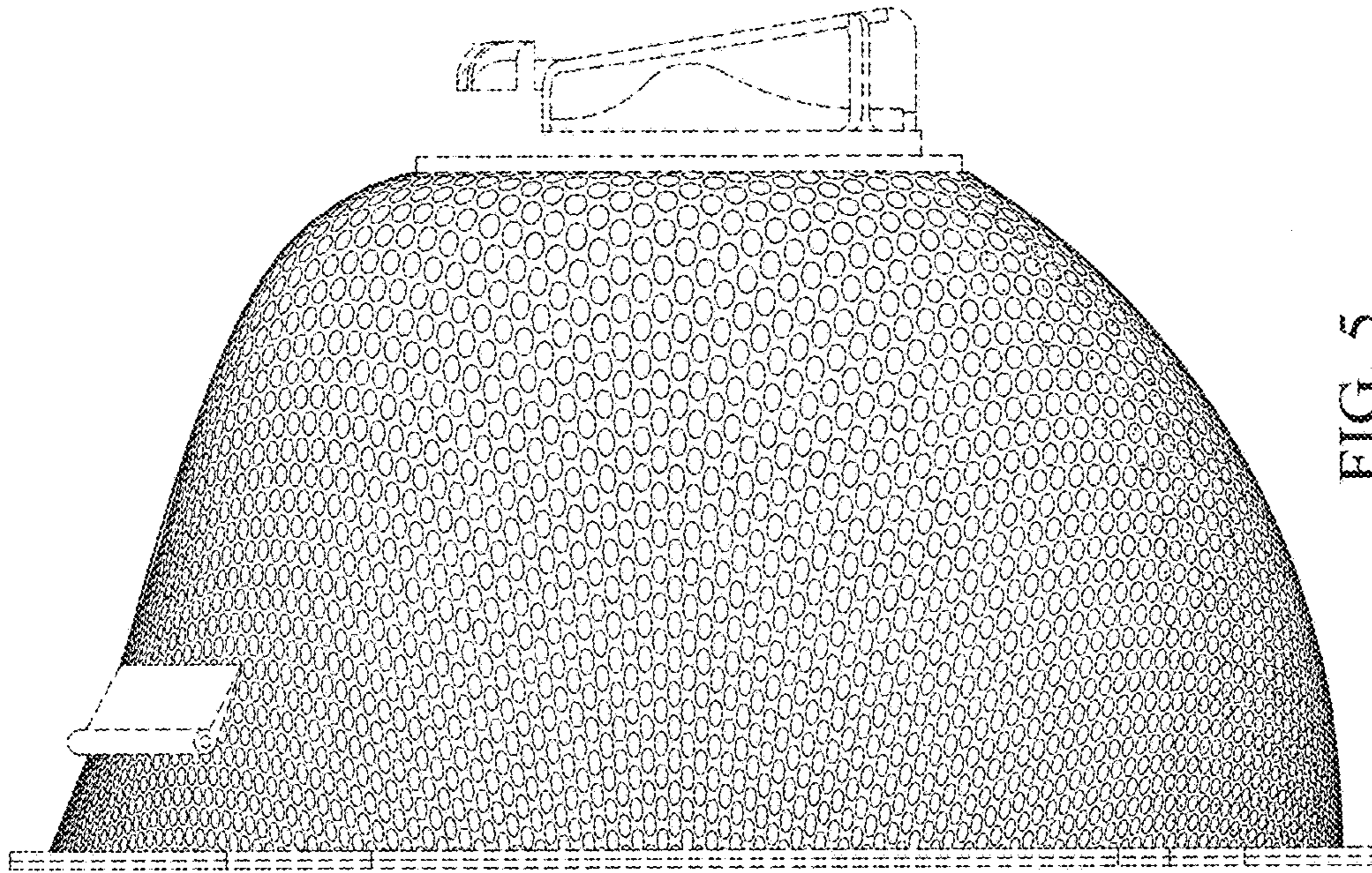


FIG. 5

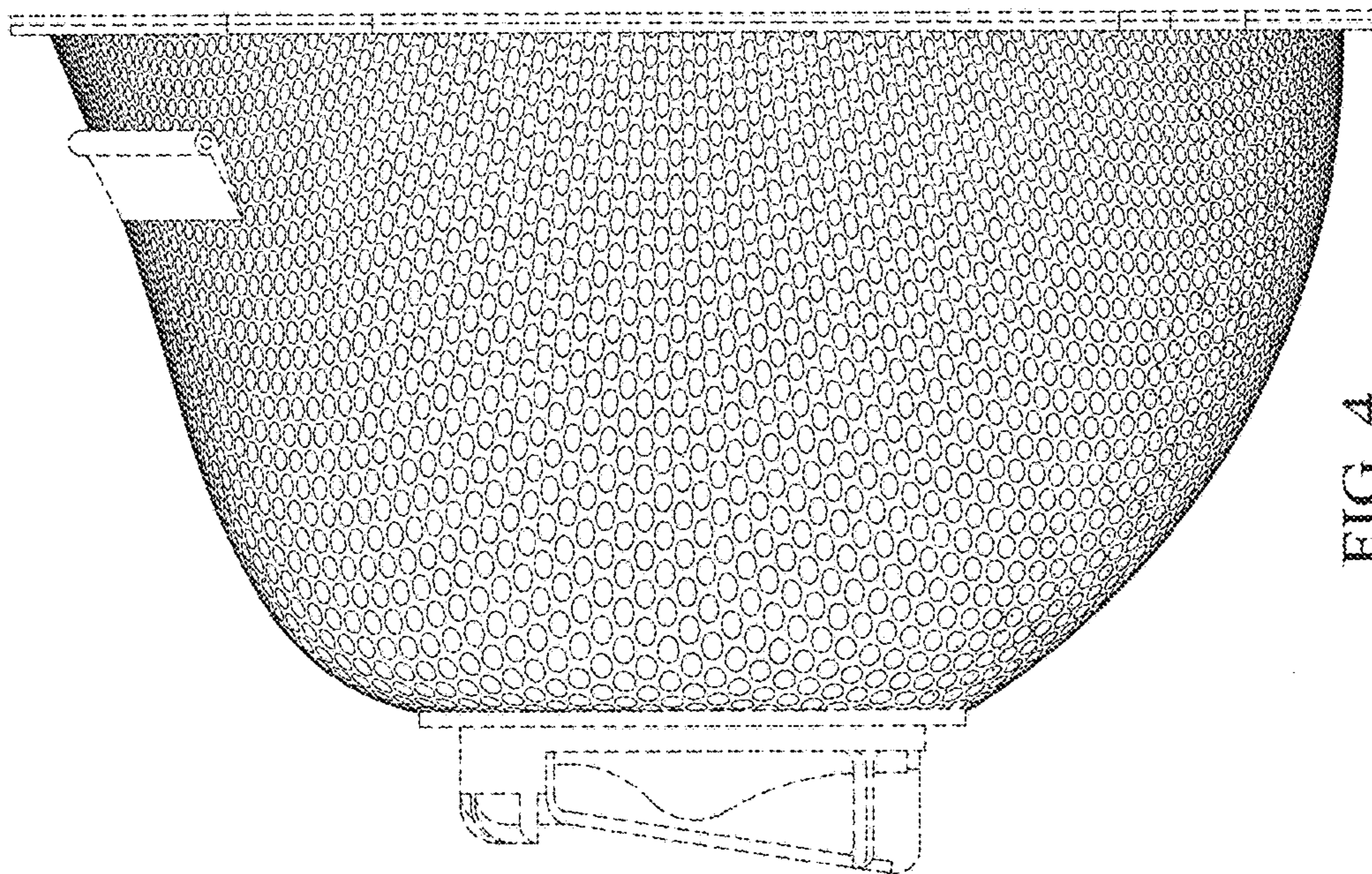


FIG. 4

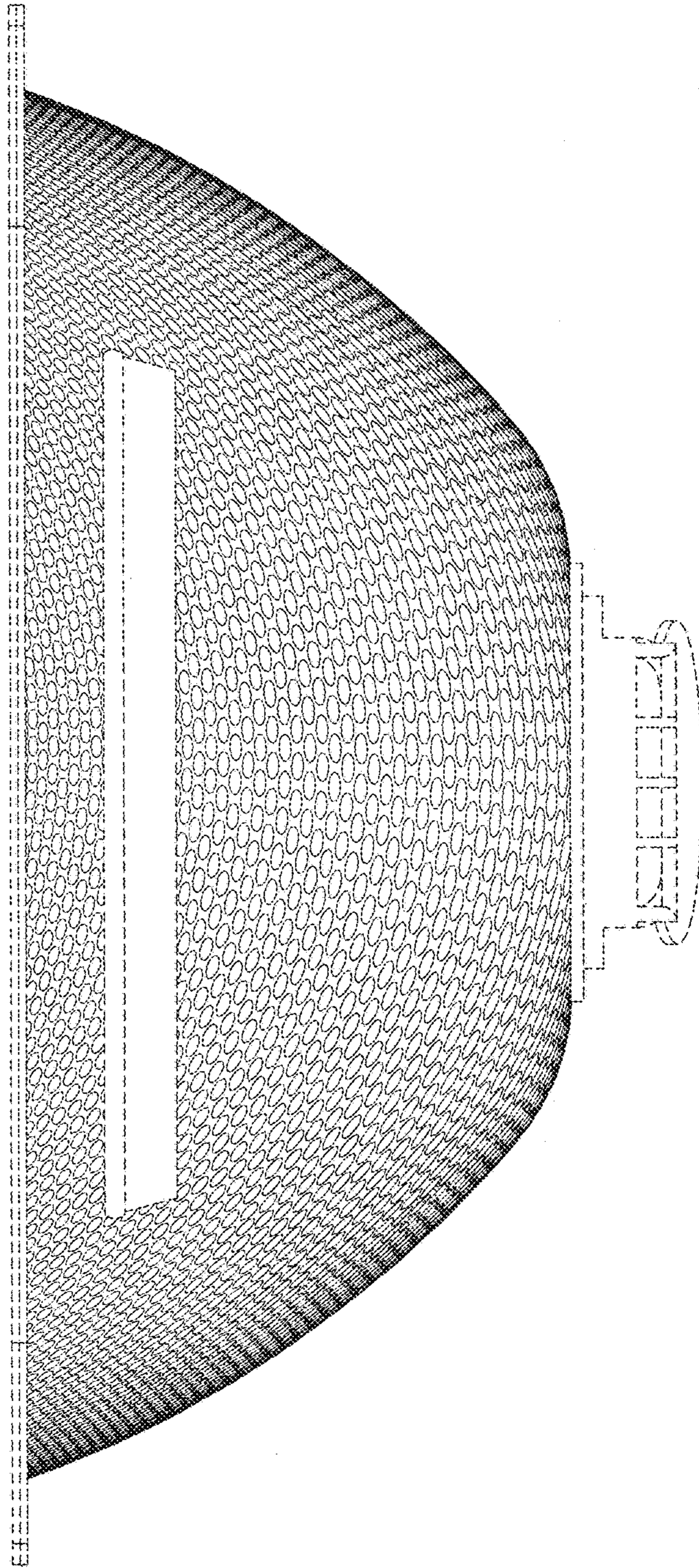


FIG. 6

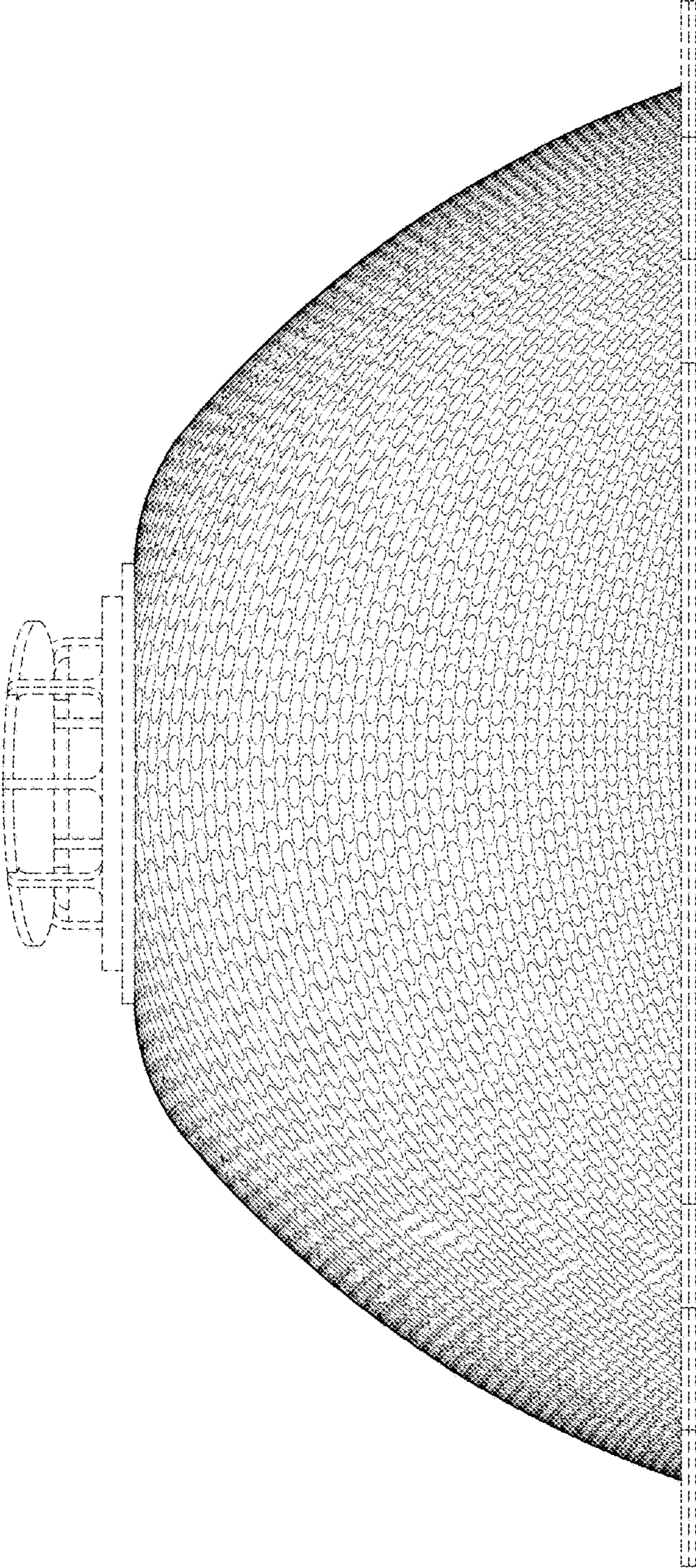


FIG. 7



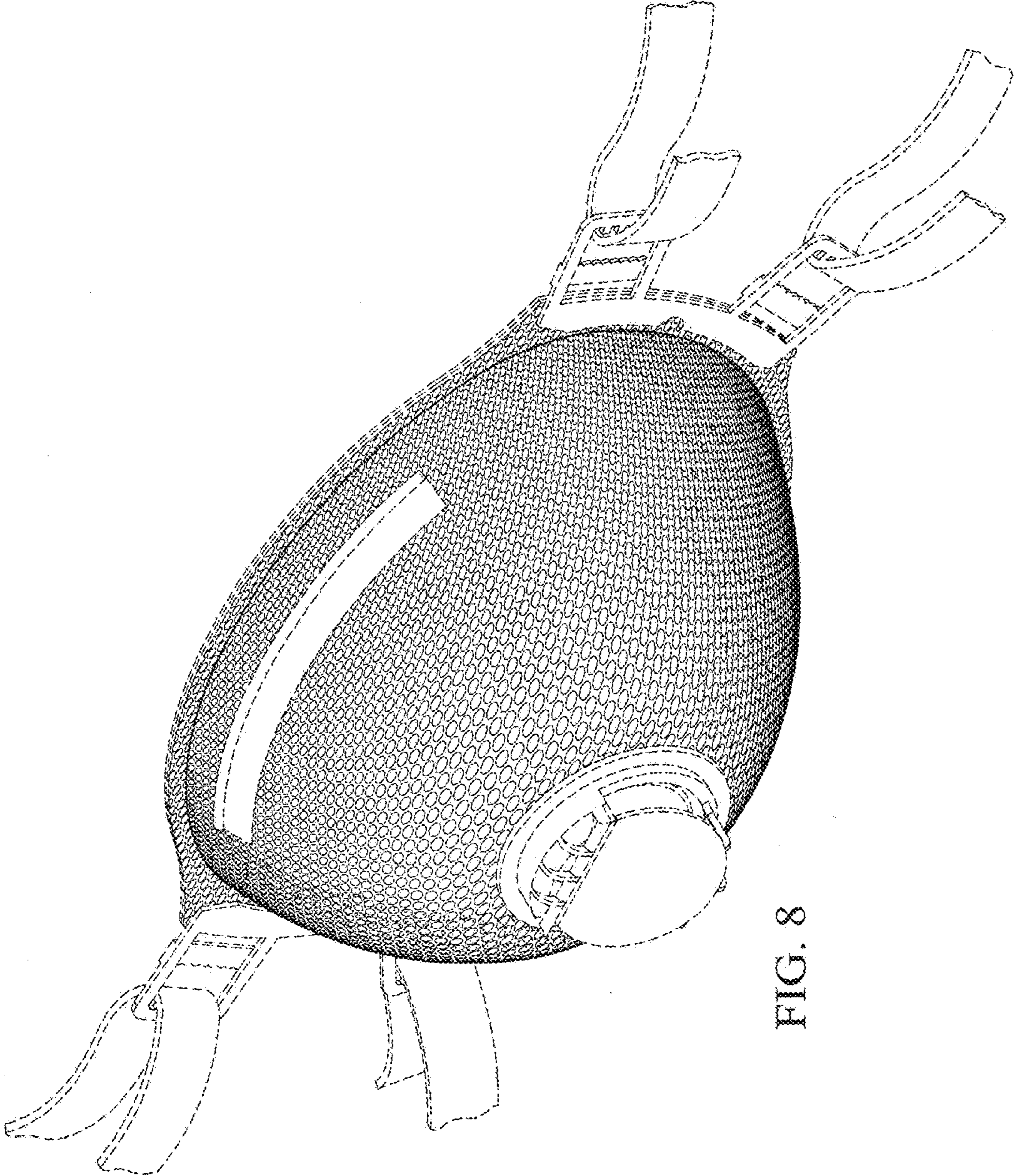


FIG. 8

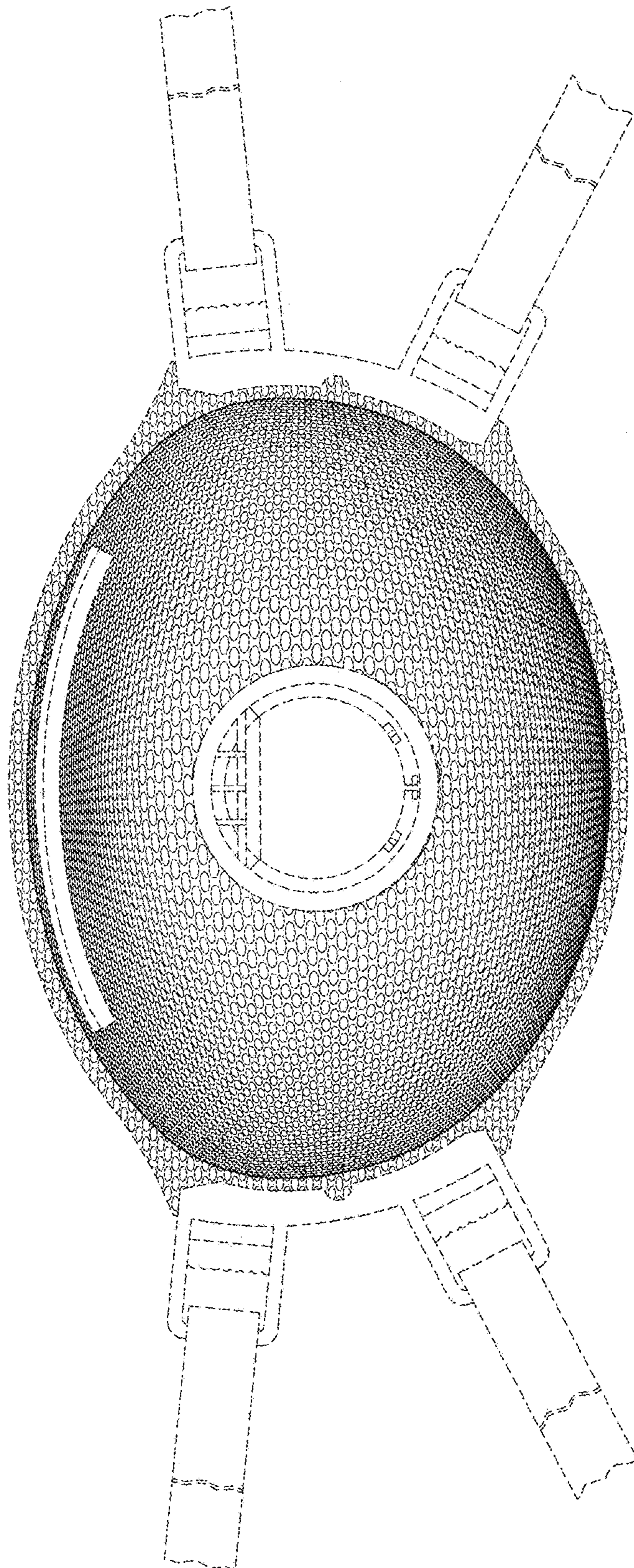


FIG. 9

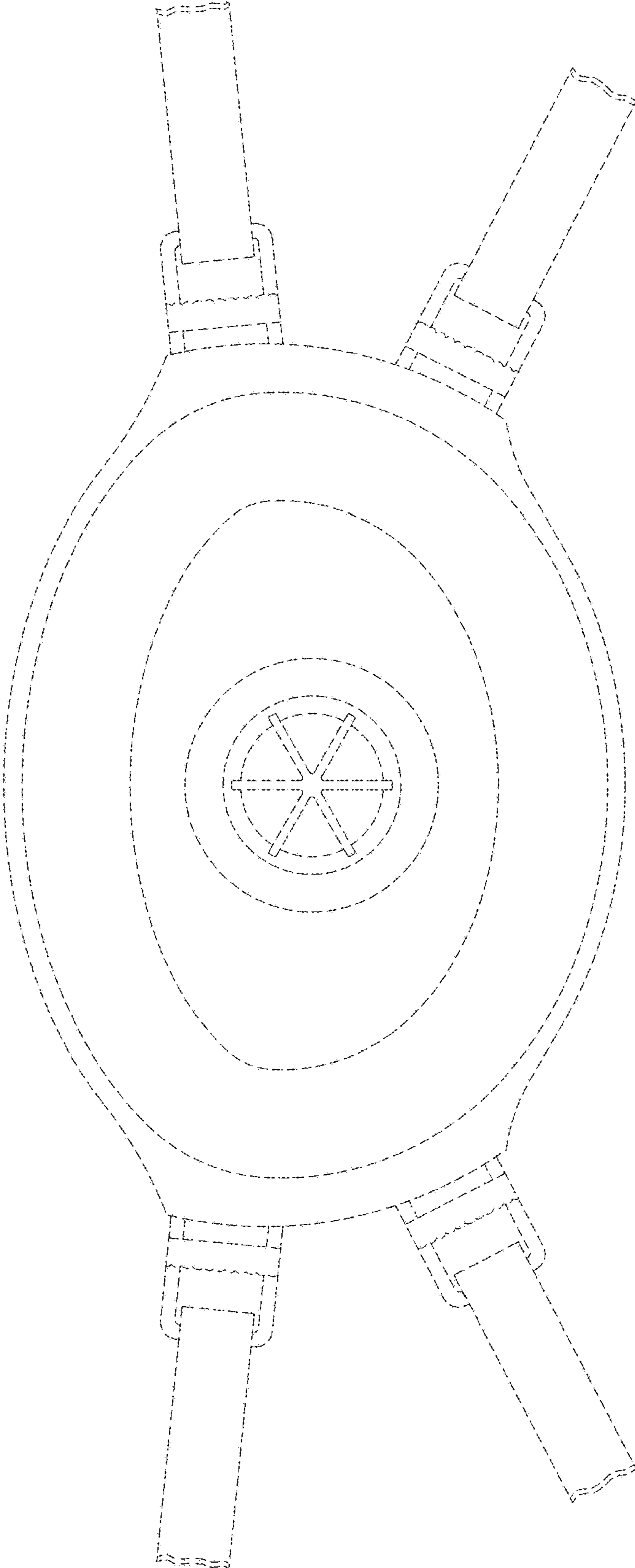


FIG. 10

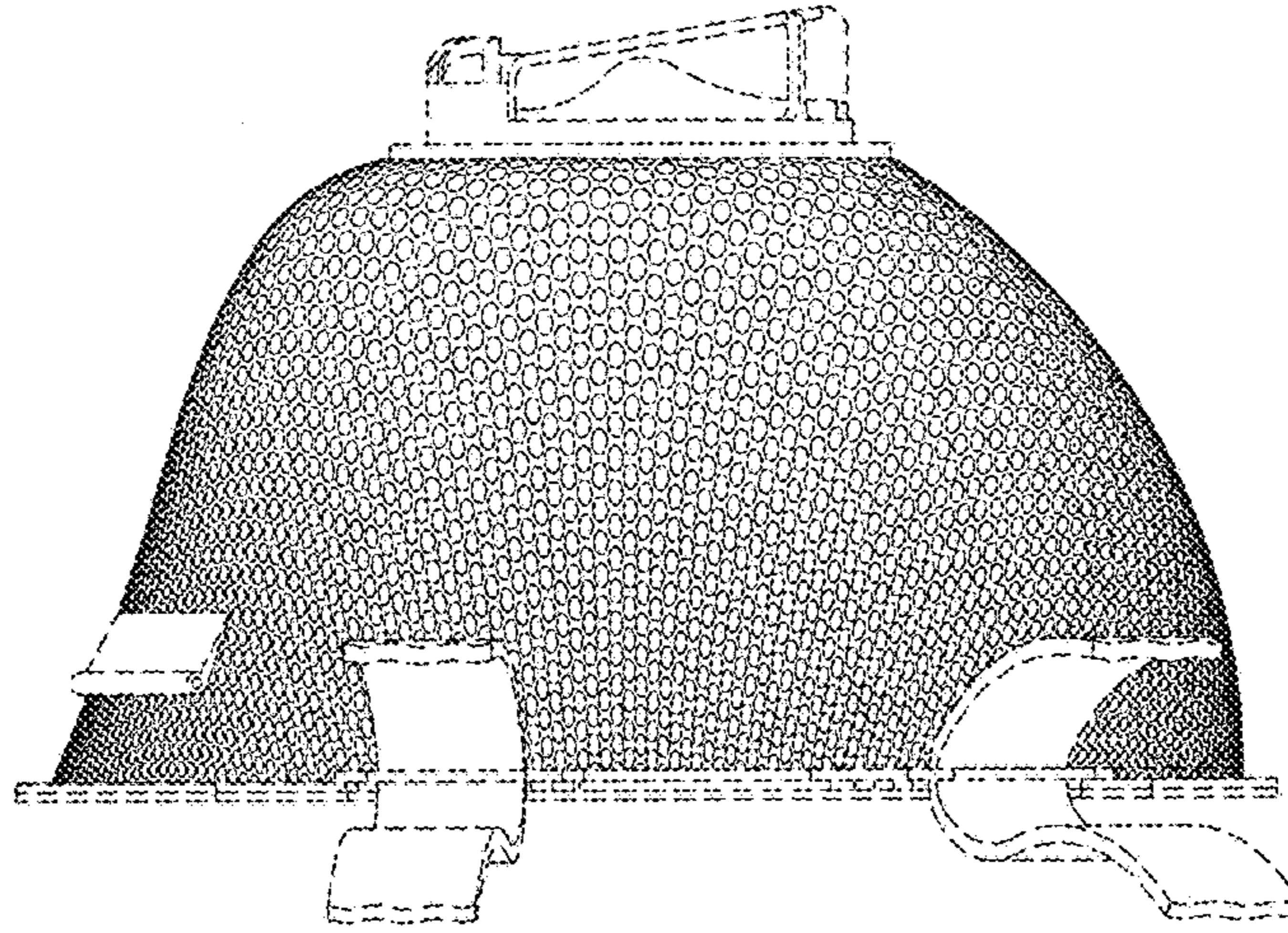


FIG. 12

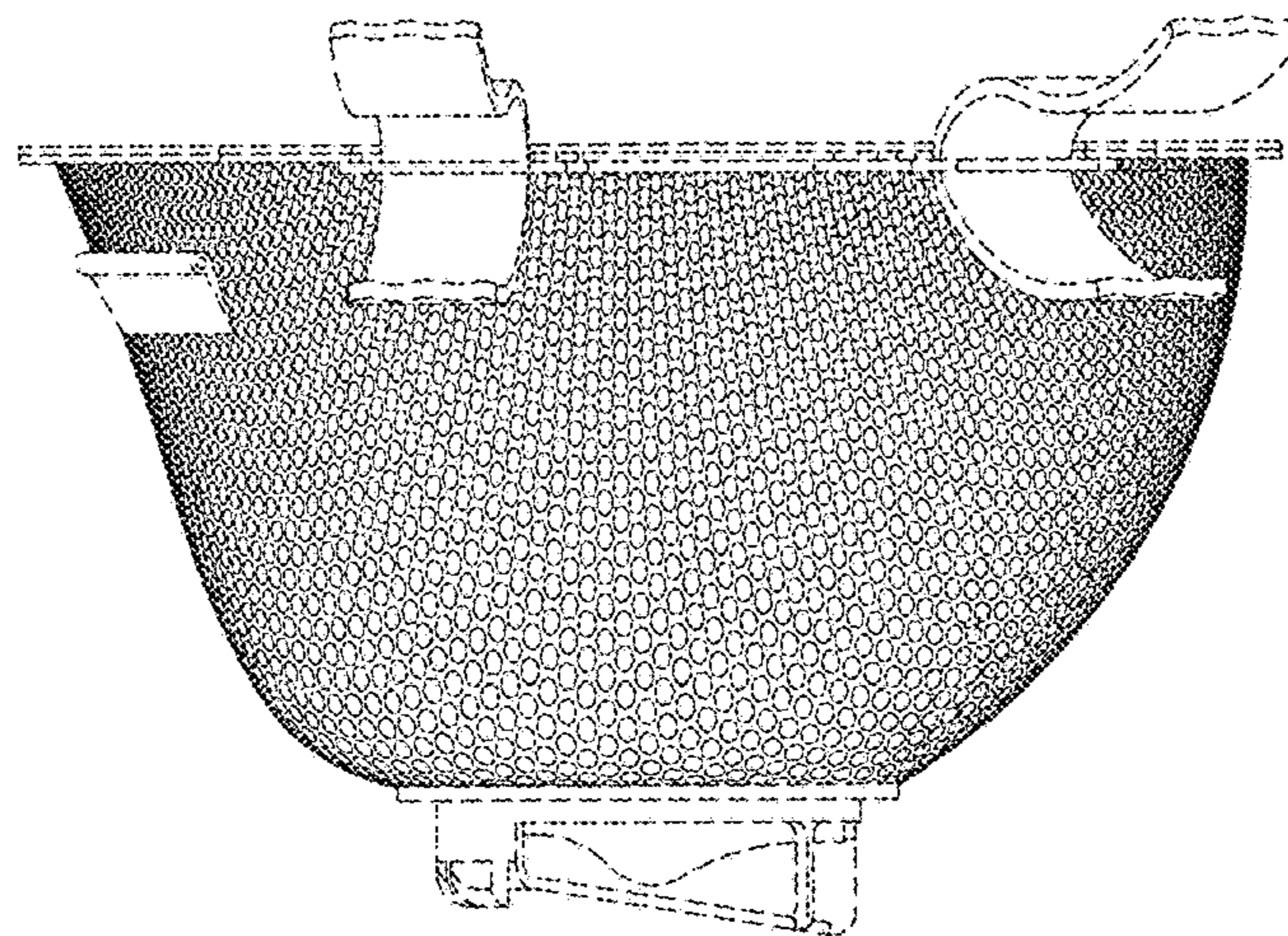


FIG. 11

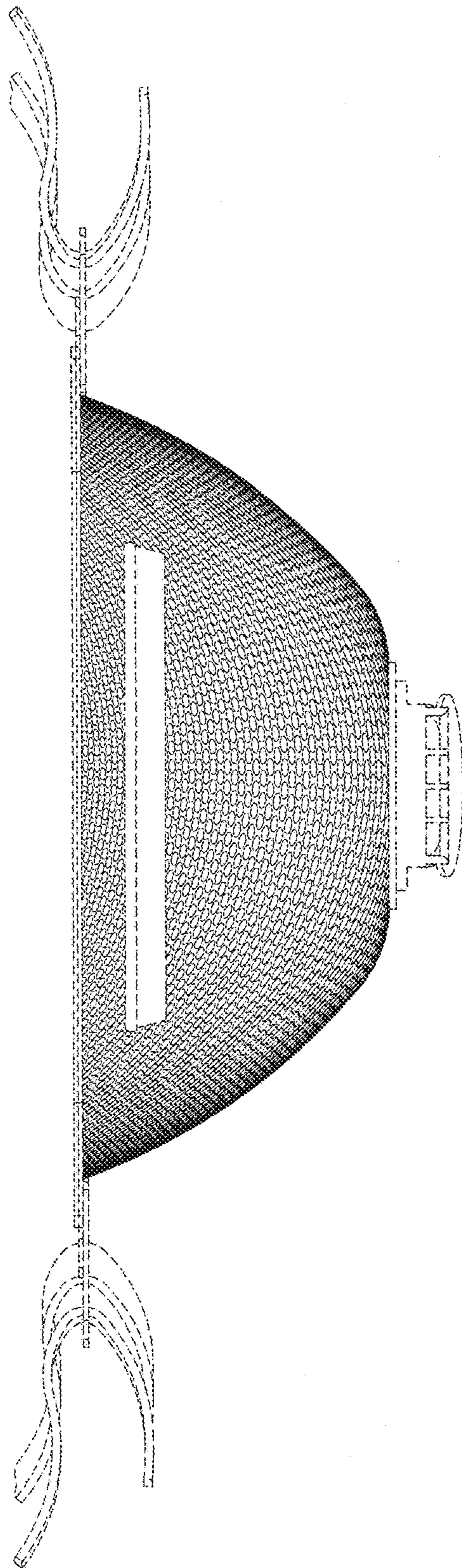


FIG. 13

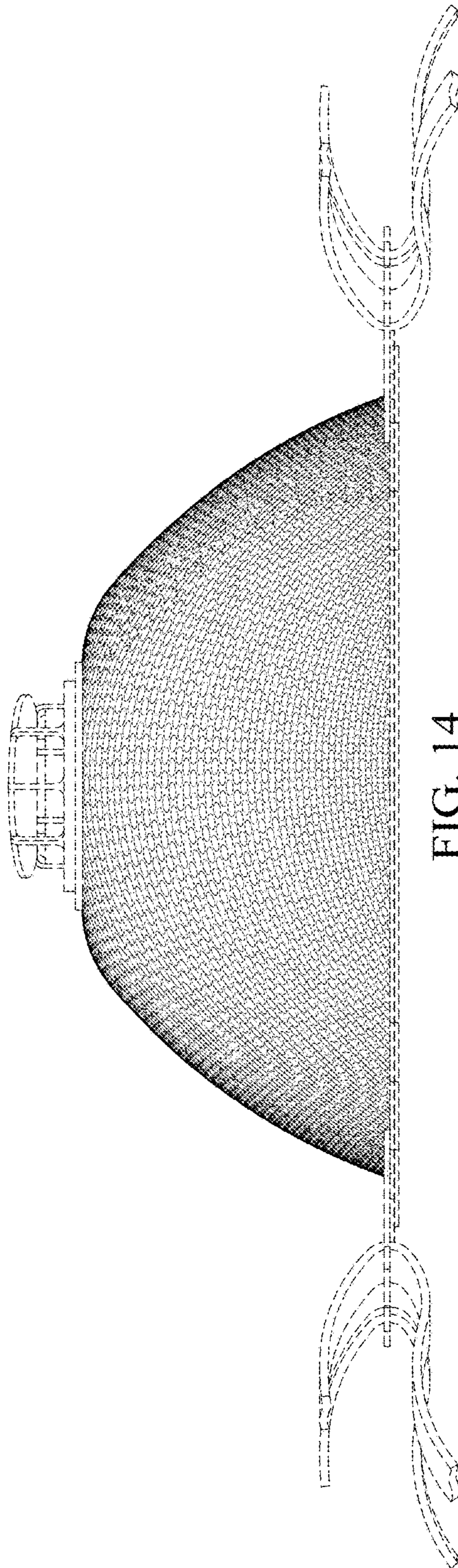


FIG. 14

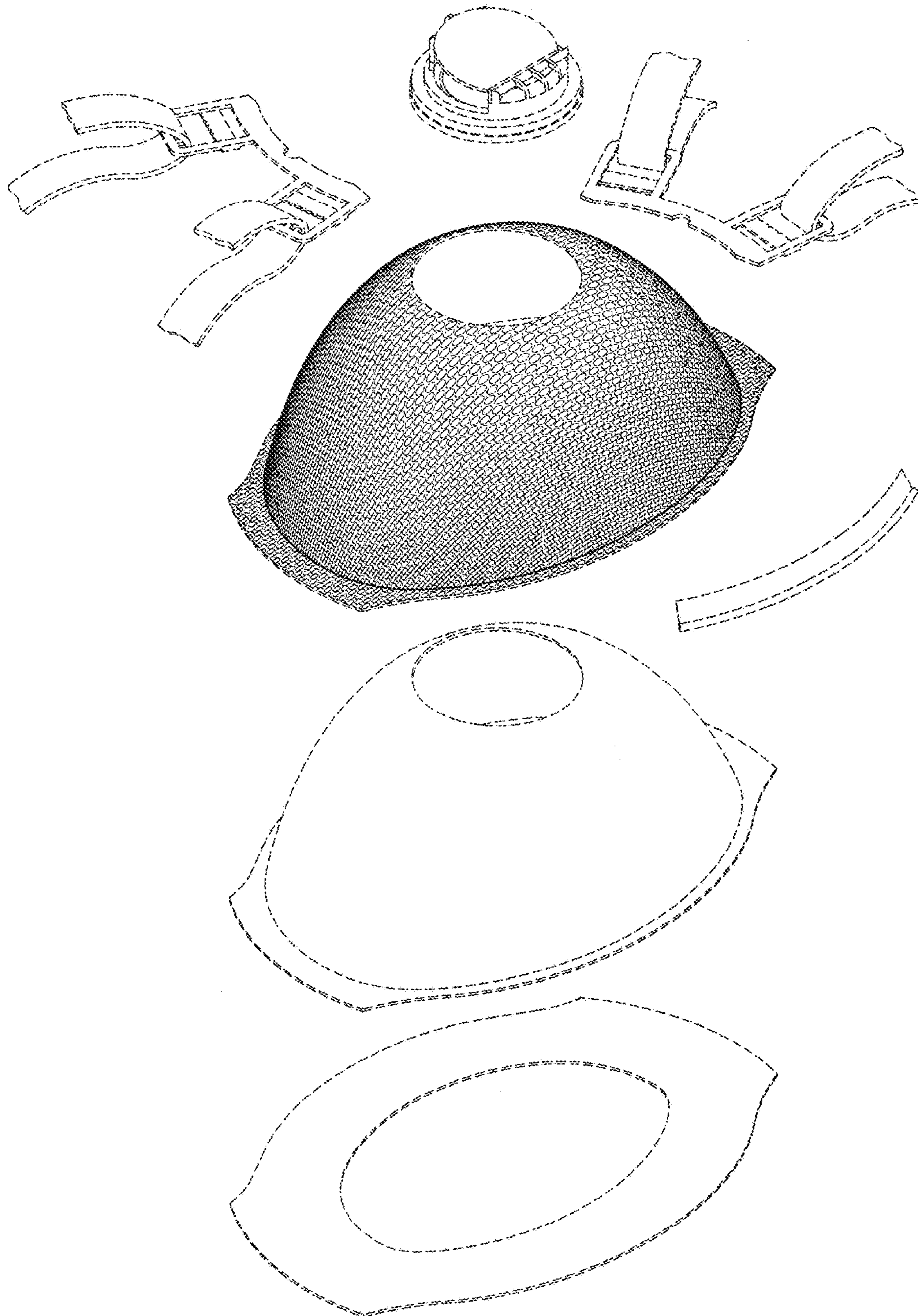


FIG. 15