



US00D855172S

(12) **United States Design Patent**
Holmes

(10) **Patent No.:** **US D855,172 S**

(45) **Date of Patent:** **** Jul. 30, 2019**

(54) **CEILING FAN MOTOR HOUSING**

(71) Applicant: **HUNTER FAN COMPANY,**
Memphis, TN (US)

(72) Inventor: **Christine Holmes,** Memphis, TN (US)

(73) Assignee: **Hunter Fan Company,** Memphis, TN
(US)

(**) Term: **15 Years**

(21) Appl. No.: **29/614,094**

(22) Filed: **Aug. 16, 2017**

(51) **LOC (11) Cl.** **23-03**

(52) **U.S. Cl.**
USPC **D23/411**

(58) **Field of Classification Search**
USPC D23/377, 379, 385, 411-414, 351, 352,
D23/354, 370, 371, 373-375, 381,
D23/386-389, 393; D26/59, 88, 89
CPC F04D 25/088; F04D 29/38; F04D 29/384;
F04D 29/386; F21V 33/0096
See application file for complete search history.

(56) **References Cited**

U.S. PATENT DOCUMENTS

D290,748 S	7/1987	Kawai	
D297,974 S	10/1988	Sonneman	
D314,618 S *	2/1991	Yen	D23/377
D328,491 S	8/1992	Markwardt	
D328,785 S	8/1992	Markwardt	
D333,867 S	3/1993	Markwardt	
D344,129 S	2/1994	Markwardt	
D345,790 S *	4/1994	Caldwell	D23/377
D357,978 S *	5/1995	Young	D23/377
D453,216 S *	1/2002	Gajewski	D23/377
D544,979 S *	6/2007	Hartmann, Jr.	D26/74
D547,436 S *	7/2007	Shurtleff	D23/411
D561,374 S *	2/2008	Hartmann, Jr.	D26/74
D565,230 S *	3/2008	Hetfield	D26/72
D584,810 S	1/2009	Pickett	
D595,004 S *	6/2009	Pan	D26/59

D609,799 S *	2/2010	Lee	D23/377
D627,874 S	11/2010	Pan	
D628,688 S *	12/2010	Pan	D23/377
D632,384 S	2/2011	Pan	
D633,644 S *	3/2011	Sprengers	D26/89

(Continued)

OTHER PUBLICATIONS

http://www.montecarlofanlights.com/lighting/7-449-621-0-495322/Monte-Carlo-Fans_Vision-Max-56-Ceiling-Fan-with-Light-Kit-3VISMALX.htm, Item Specification for Monte Carlo 3VISMALX 36in Vision Max Ceiling Fan with Light Kit, accessed on Oct. 26, 2016.

(Continued)

Primary Examiner — Cathron C Brooks

Assistant Examiner — Sharon S Oum

(74) *Attorney, Agent, or Firm* — McGarry Bair PC

(57) **CLAIM**

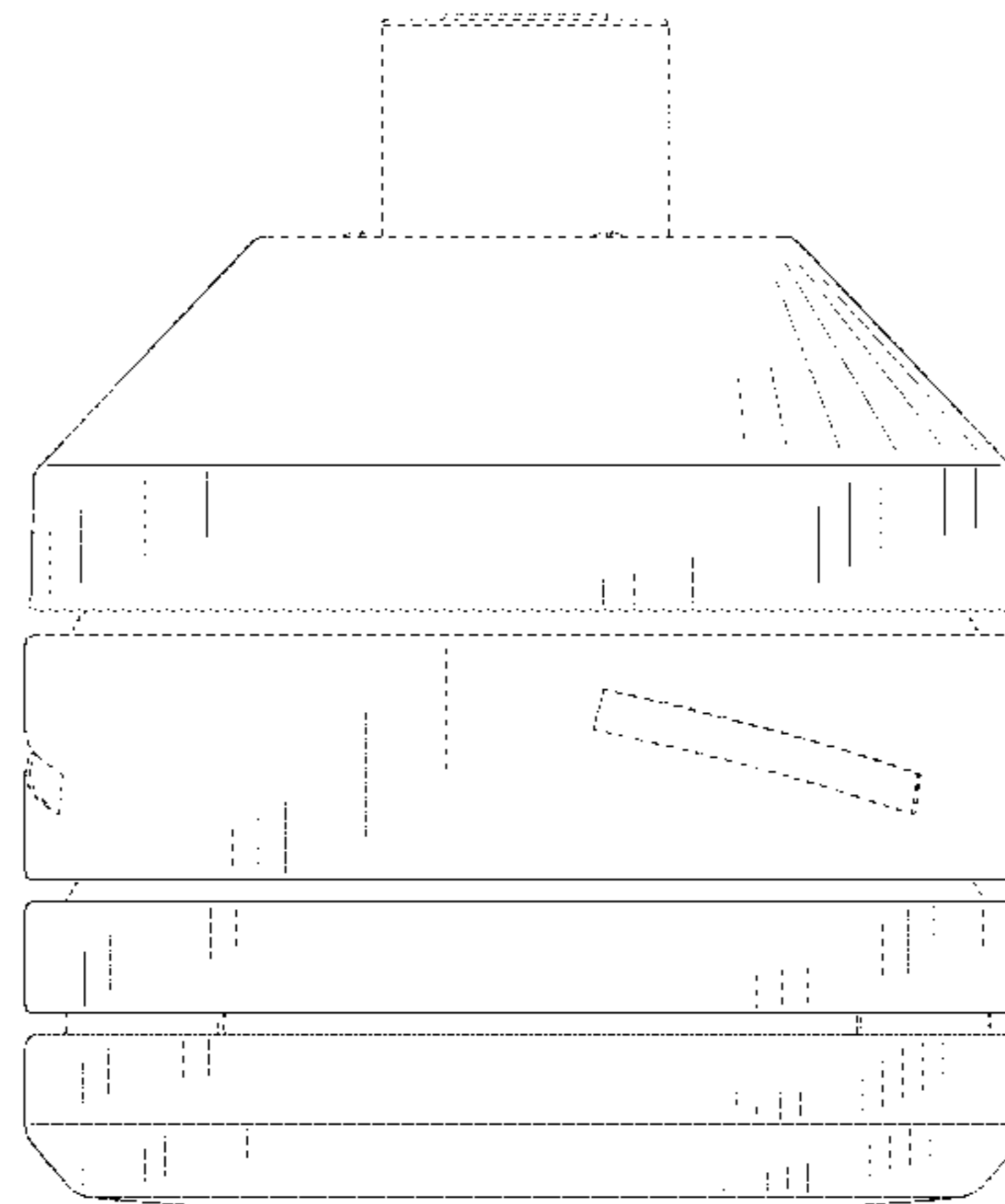
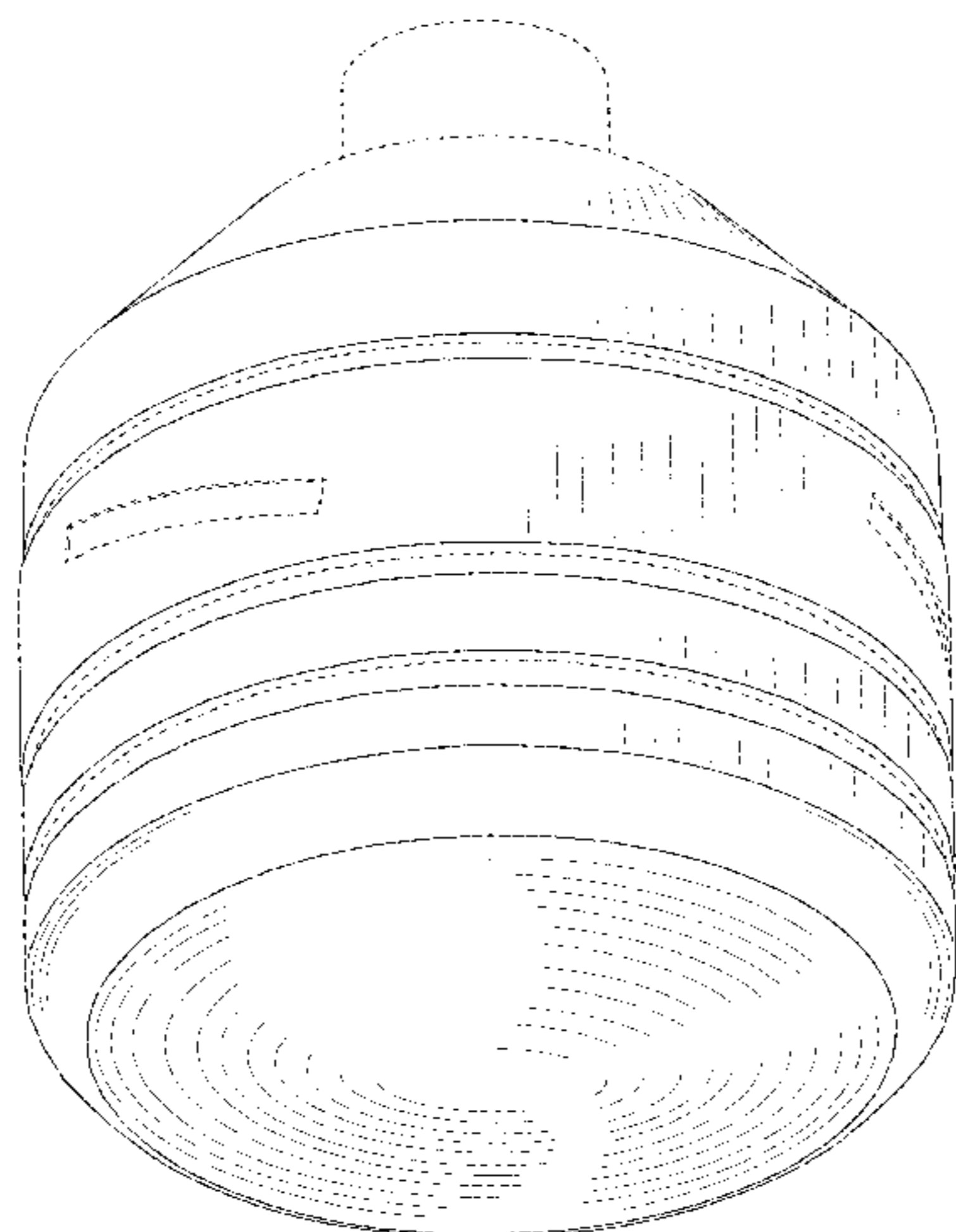
The ornamental design for a ceiling fan motor housing, as shown and described.

DESCRIPTION

FIG. 1 is a top perspective view of a ceiling fan motor housing in the environment of a ceiling fan; FIG. 2 is a bottom perspective view thereof, but shown without the ceiling fan environment; FIG. 3 is a bottom view thereof; FIG. 4 is a top view thereof; FIG. 5 is a left side view thereof; FIG. 6 is a right side view thereof; FIG. 7 is a front view thereof; and, FIG. 8 is a rear view thereof.

The broken lines showing a ceiling fan illustrate the environment of the ceiling fan motor housing and form no part of the claimed design. The remaining broken lines, showing portions of the ceiling fan motor housing, form no part of the claimed design.

1 Claim, 8 Drawing Sheets



(56)

References Cited

U.S. PATENT DOCUMENTS

D639,497 S * 6/2011 Ogawa D26/120
 D694,463 S * 11/2013 Siczkowski D26/124
 D704,819 S 5/2014 Wang
 D706,406 S 6/2014 Wang
 D706,919 S 6/2014 Wang
 D706,970 S 6/2014 Wang
 D707,336 S 6/2014 Pan
 D707,344 S 6/2014 Wang
 D708,315 S * 7/2014 Wang D23/377
 D743,079 S * 11/2015 Adair D26/67
 D744,081 S 11/2015 Wang
 D744,082 S 11/2015 Wang
 D744,634 S * 12/2015 Wang D23/411
 D751,187 S * 3/2016 Dolan D23/377
 D759,799 S * 6/2016 Wang D23/385
 D771,794 S * 11/2016 Wang D23/411
 D771,860 S * 11/2016 Weiss D26/110
 D772,393 S * 11/2016 Wang D23/377
 D774,175 S * 12/2016 Wang D23/385
 D782,644 S * 3/2017 Wang D23/377
 D783,797 S 4/2017 Badarello et al.
 D788,283 S 5/2017 Busta
 D788,286 S 5/2017 Busta
 D795,411 S * 8/2017 Wang D23/377
 D799,665 S * 10/2017 Wang D23/377
 D801,515 S * 10/2017 Wang D23/411
 D804,630 S * 12/2017 Holmes D23/377
 D805,625 S * 12/2017 Haggar D23/377
 D810,270 S * 2/2018 Wang D23/411
 D810,917 S * 2/2018 Holmes D23/377
 D826,394 S * 8/2018 Biancuzzo D23/411
 D838,357 S * 1/2019 Haggar D23/411
 2005/0249598 A1 11/2005 Young
 2018/0128277 A1 * 5/2018 Chia F04D 25/088

OTHER PUBLICATIONS

<http://www.minkagroup.net/all-collections?keys=F531-L-BN>, Item Specification for Minka Aire Flyte F531-L-BN Ceiling Fan, accessed on Oct. 26, 2016.
<https://www.lightingdirect.com/fanimation-zonix-led-54-3-blade-fansync-compatible-ceiling-fan-blades-led-light-kit-and-remote-control-included/p2444160>, Item Specification for Fanimation FP4650BN Brushed Nickel 54in Ceiling Fan, accessed on Oct. 26, 2016.
<http://www.kichler.com/products/product/arkwright-ceiling-fan-obb-300146obb.aspx>, Item Specification for Kichler 300146PN Ceiling Fan, accessed on Oct. 26, 2016.
<http://www.craftmade.com/Ellington-Fans-BEL52BNK3CRW-Nickel-Ceiling-Fan.HTM>, Item Specification for Craftmade BEL52BNK3CRW—Beltre Ceiling Fan, accessed on Oct. 26, 2016.
http://www.emersonfanexperts.com/lighting/7-449-621-0-415680/Emerson-Fans_Highrise---50--Ceiling-Fan-CF430BS.htm, Item Specification for Emerson CF430BS Highrise 50in Ceiling Fan, accessed on Oct. 26, 2016.
<http://www.craftmade.com/Ellington-Fans-LAVH44BP4-Flush-Mount-Ceiling-Fan.HTM>, Item Specification for Craftmade LAVH44BP4 Laval Hugger Fan, accessed on Oct. 26, 2016.
<http://www.hunterfan.com/Ceiling-Fans/Signal?ModelNumber=59224>, Item Specification for Hunter Signal 54in Model 59224 Fan, accessed on Oct. 26, 2016.
<http://www.homedepot.com/p/Hampton-Bay-Pilot-60-in-and-52-in-Brushed-Nickel-Ceiling-Fan-34313/202075536>, Item Specification for Hampton Bay Pilot Model 34313 Fan, accessed on Oct. 26, 2016.
<http://www.homedepot.com/p/Hampton-Bay-Marucci-52-in-Brushed-Nickel-Ceiling-Fan-YG464C-BN/206151034>, Item Specification for Hampton Bay Marucci Model YG464C-BN, accessed on Oct. 26, 2016.

* cited by examiner

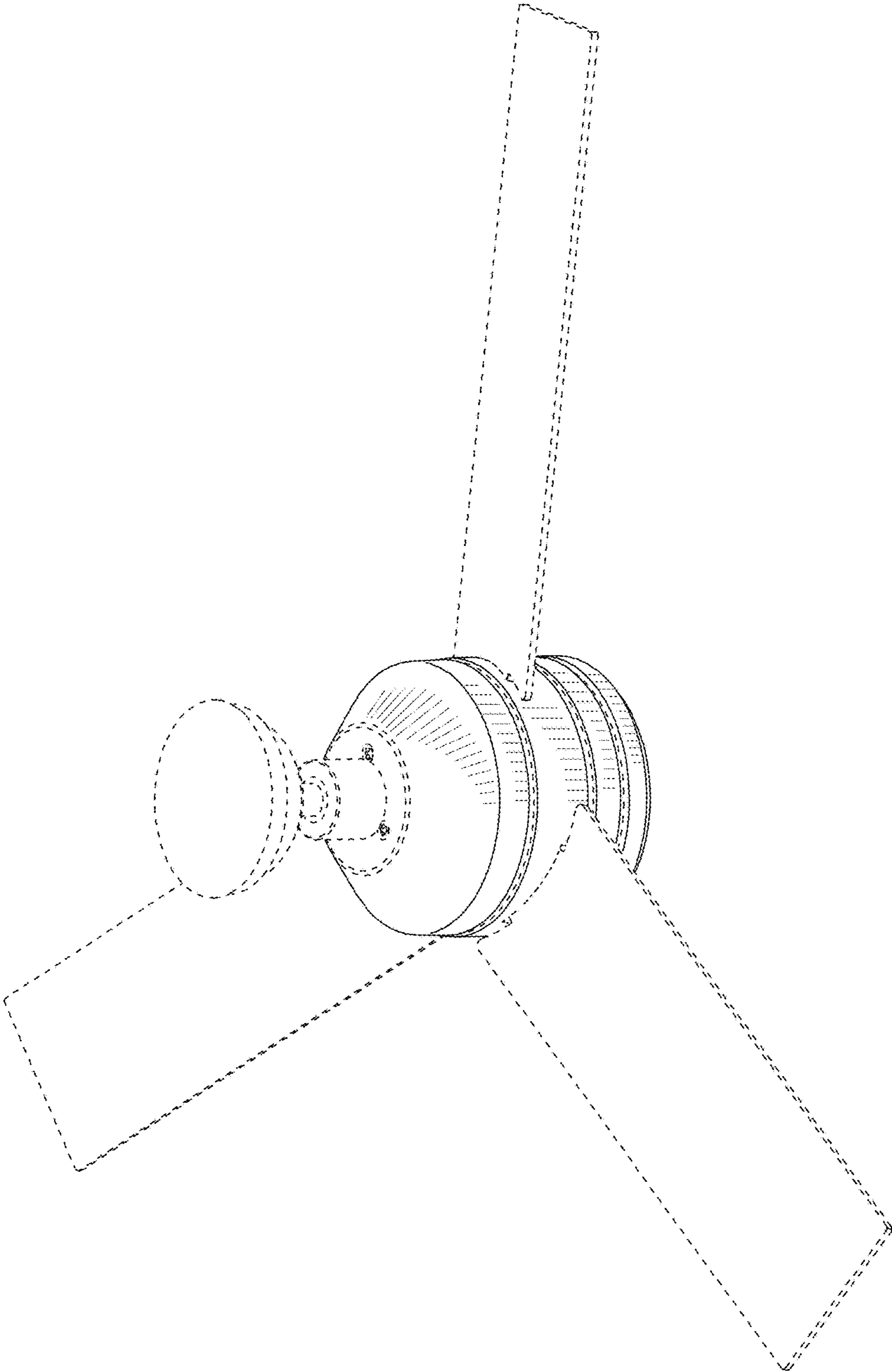


FIG. 1

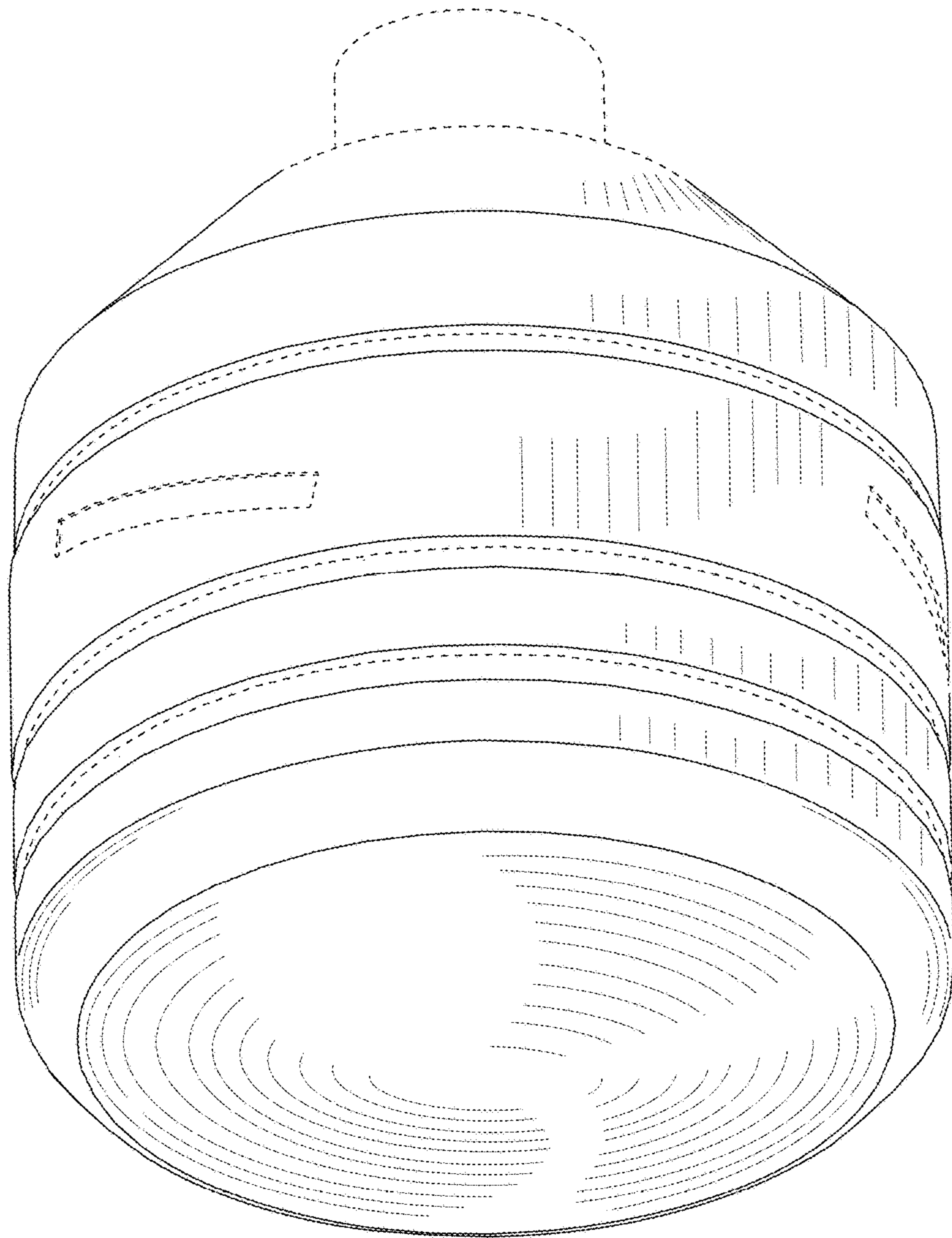


FIG. 2

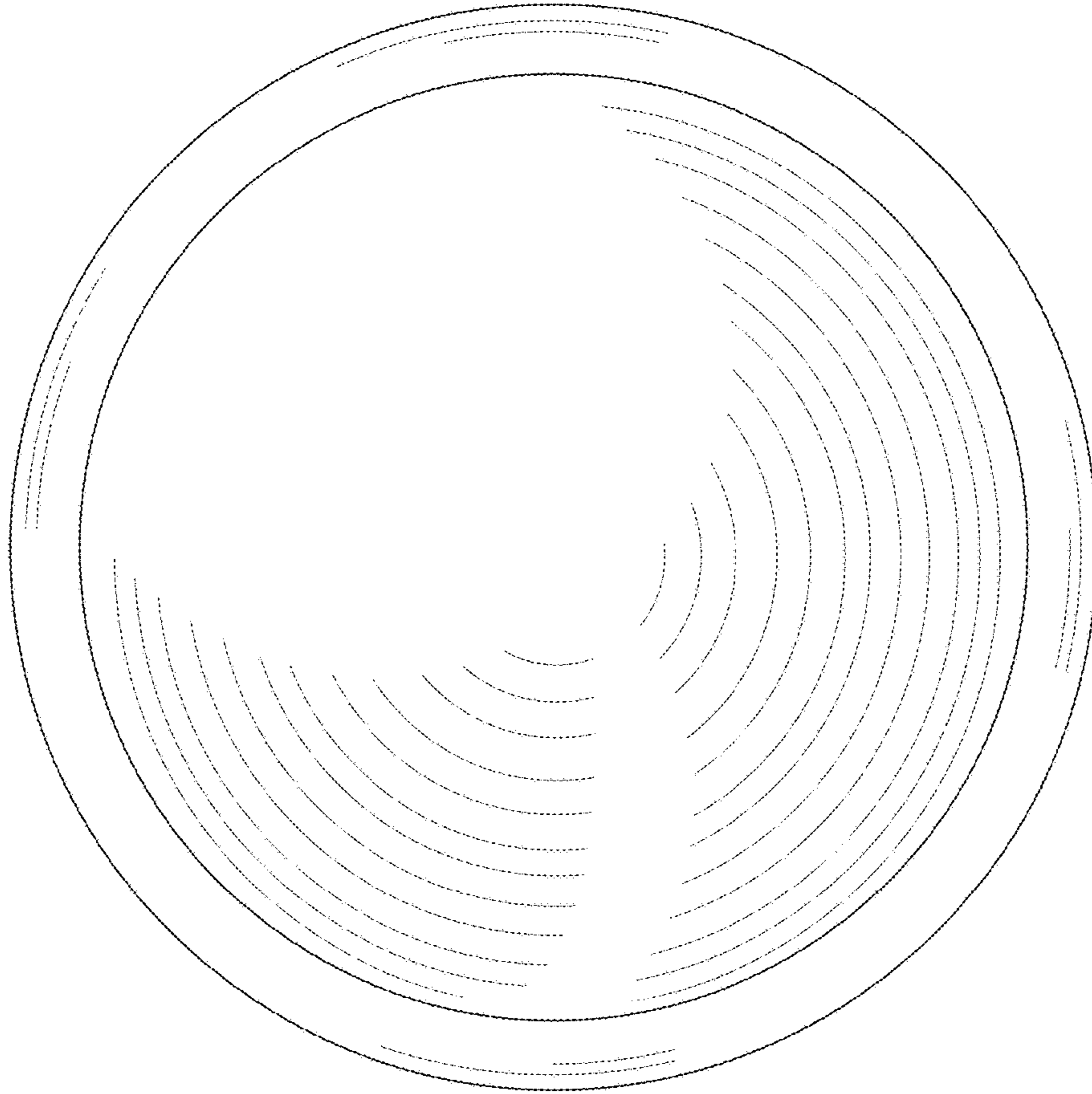


FIG. 3

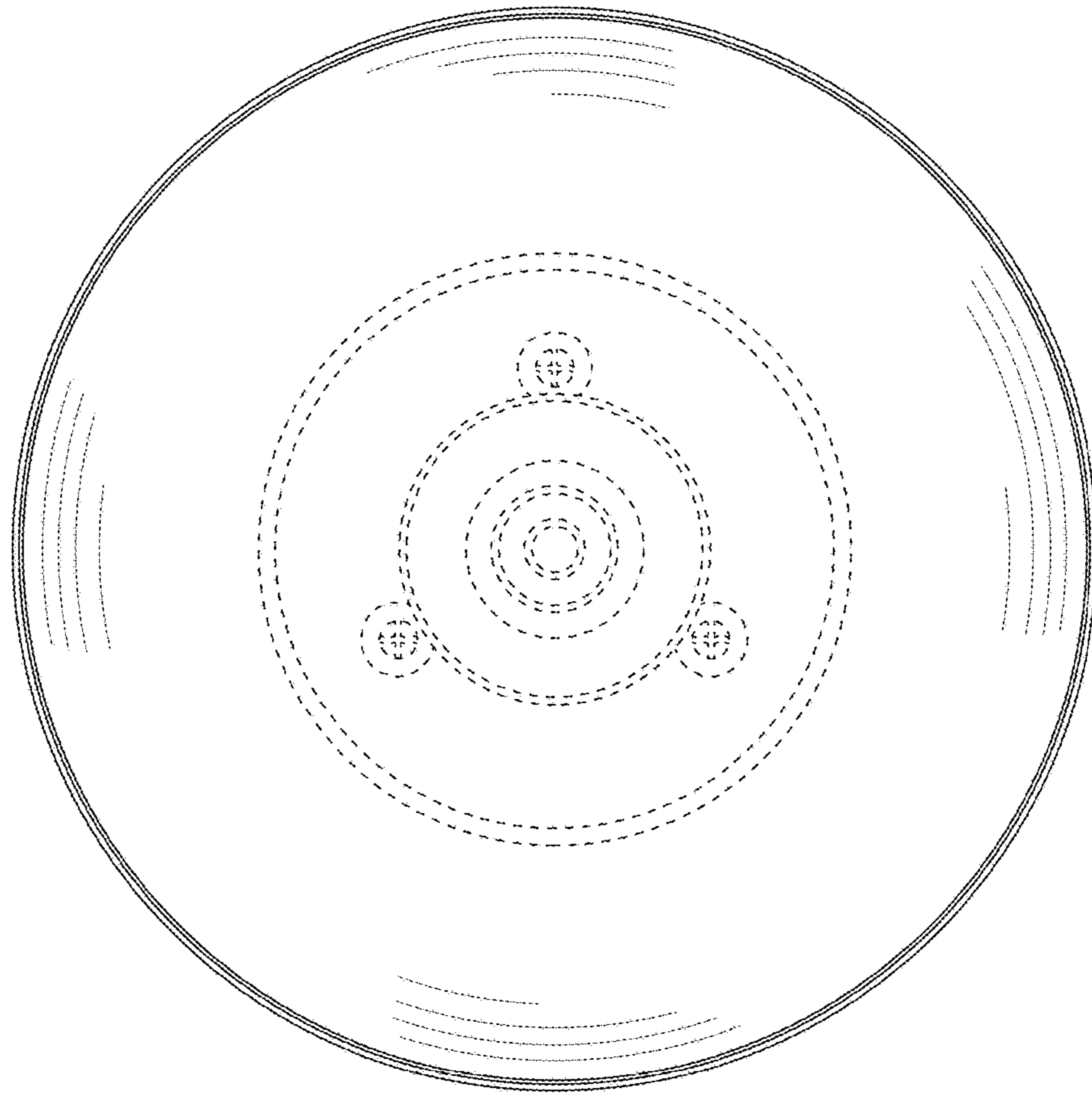


FIG. 4

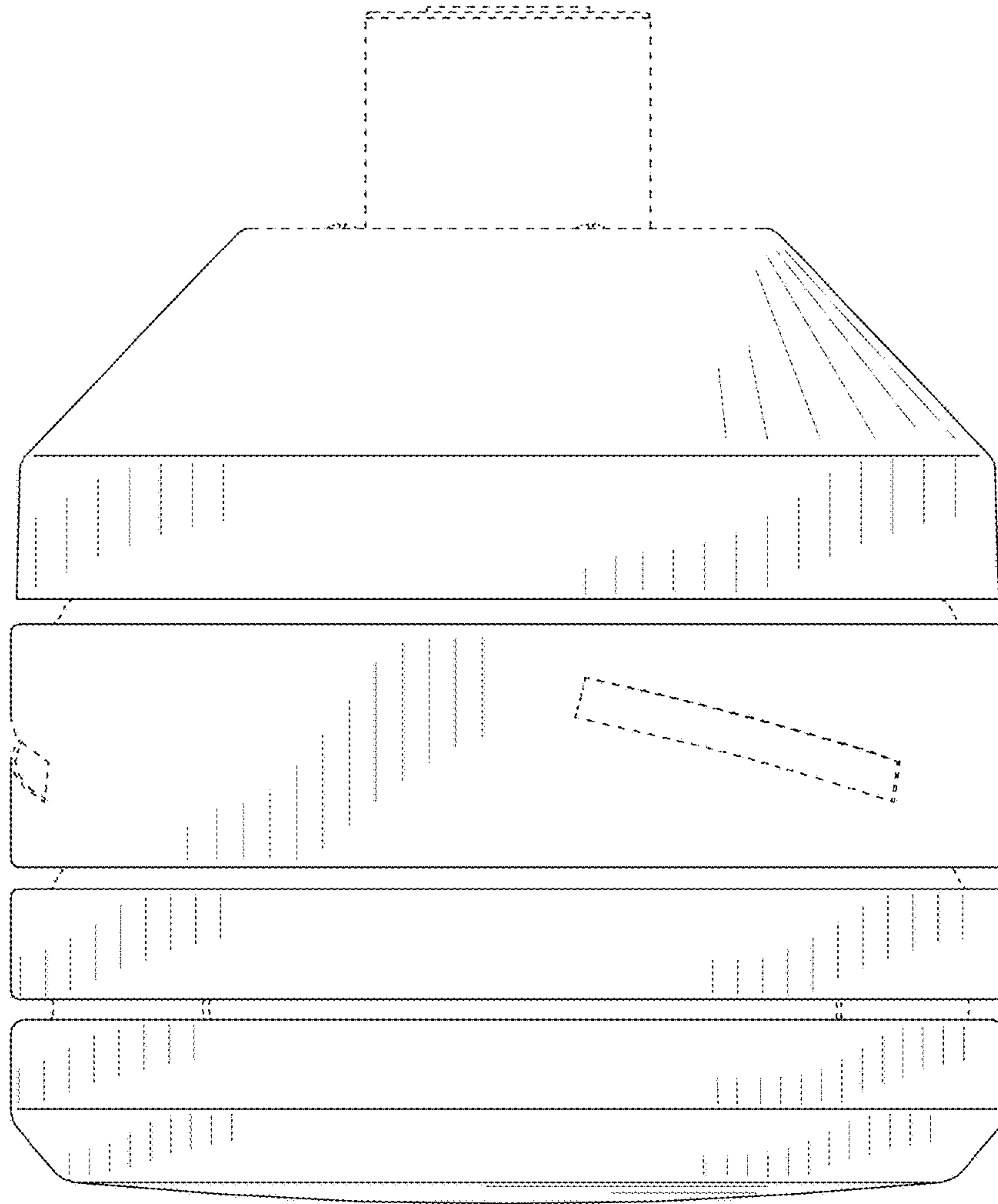


FIG. 5

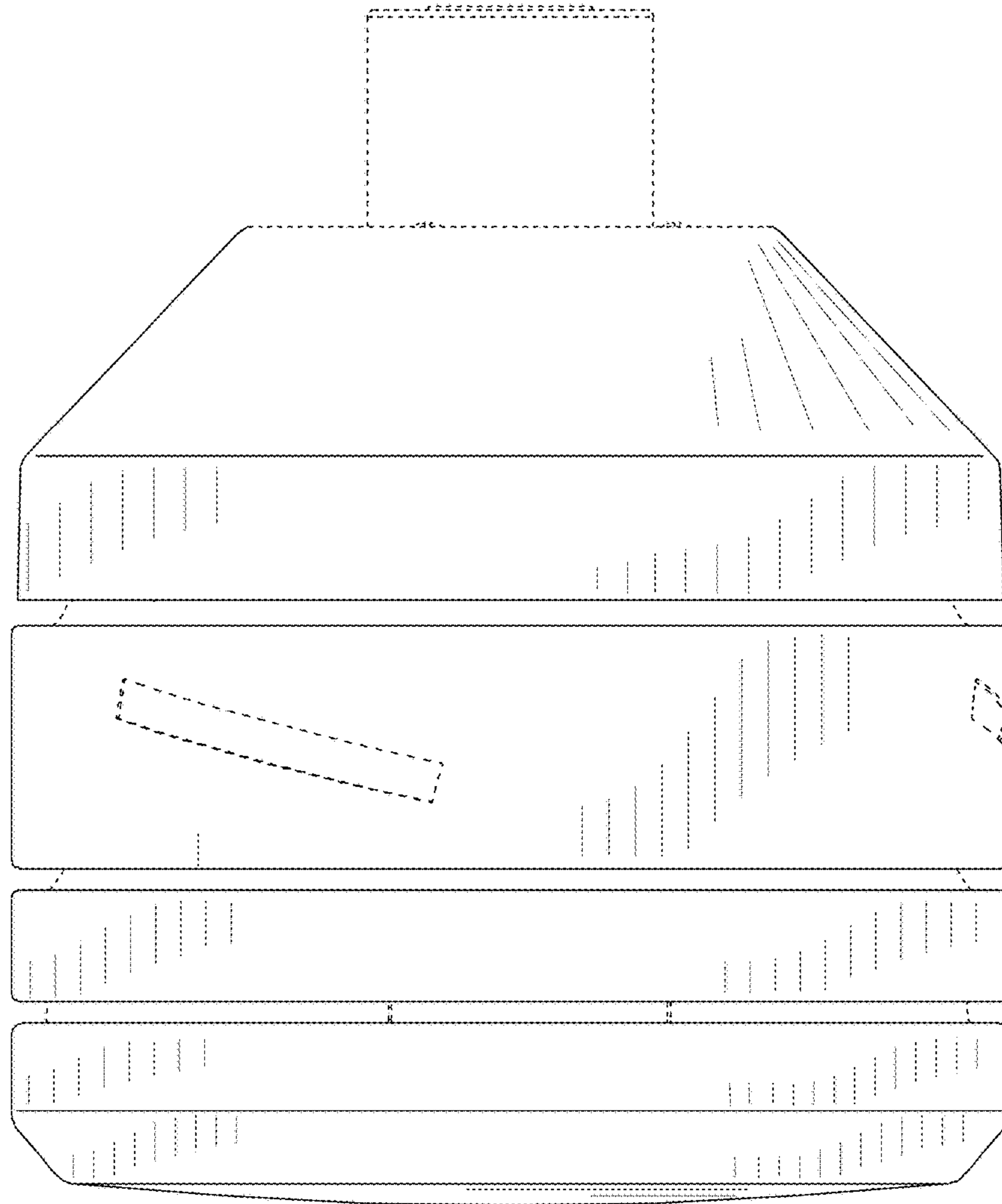


FIG. 6

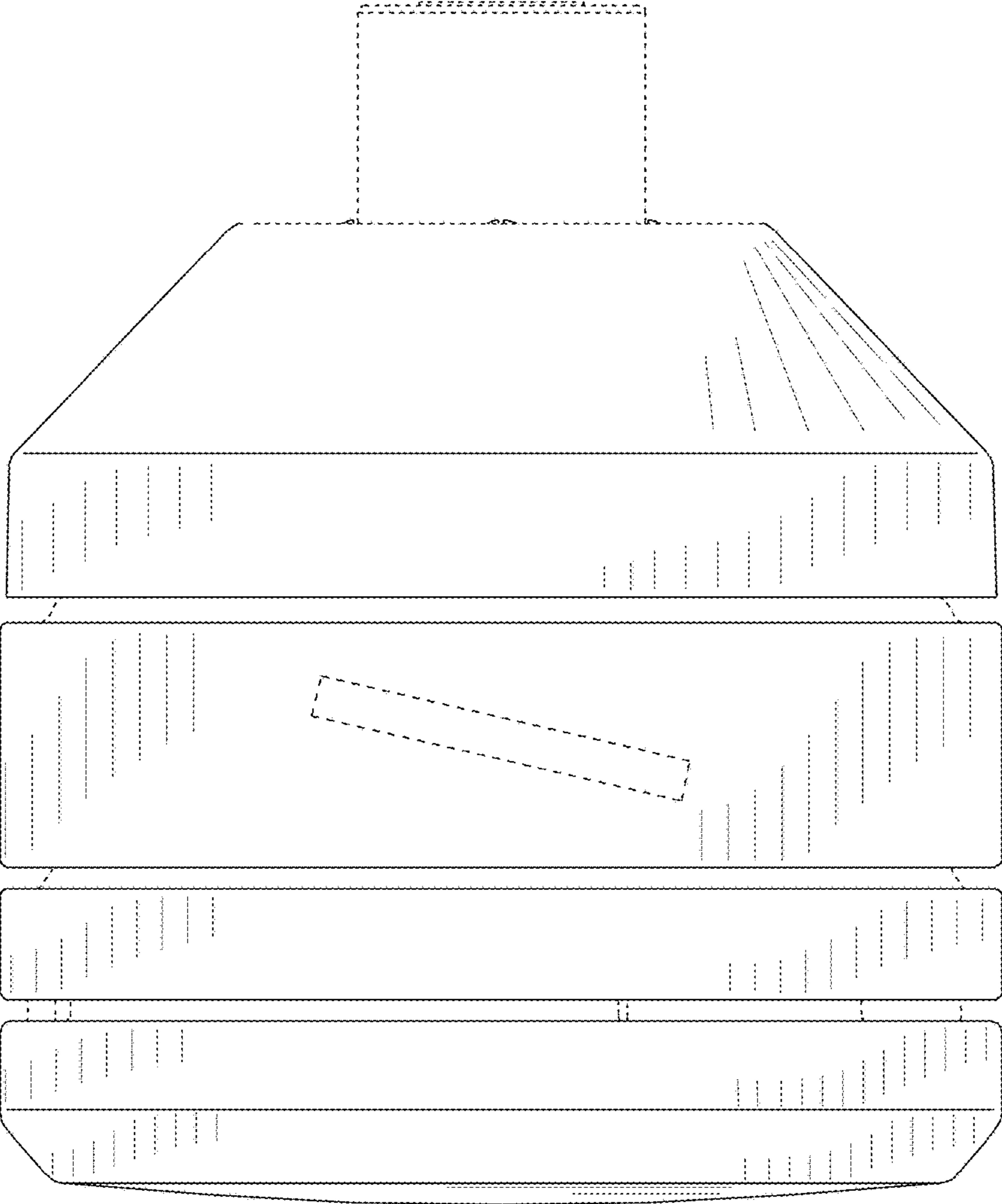


FIG. 7

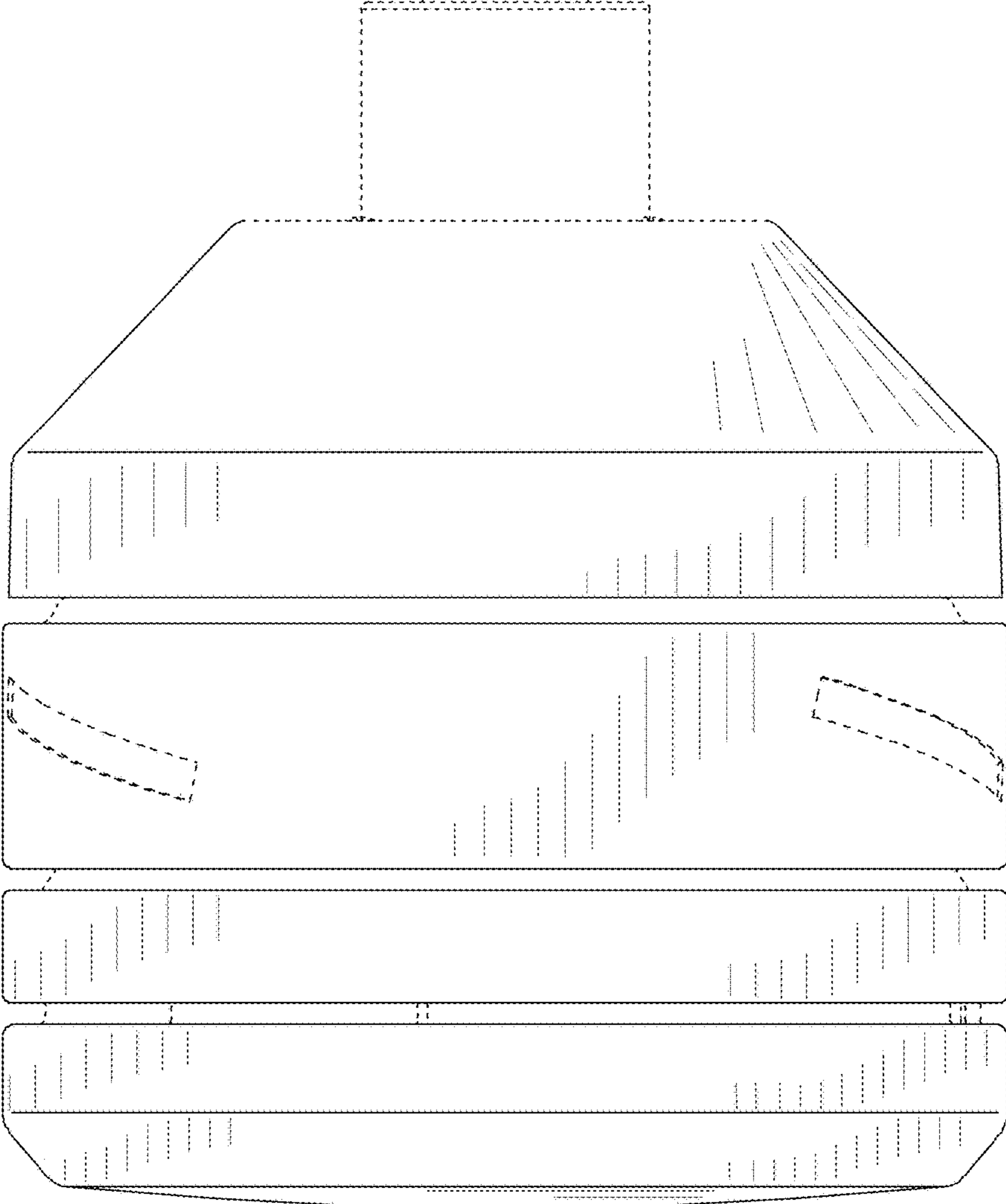


FIG. 8