



US00D855171S

(12) **United States Design Patent**  
**Xu**

(10) **Patent No.:** **US D855,171 S**  
(45) **Date of Patent:** **\*\* Jul. 30, 2019**

(54) **FAN**  
(71) Applicant: **ShenZhen TopSharp Precision Electronics Co., Ltd.,** Shenzhen (CN)  
(72) Inventor: **Wenlong Xu,** Shenzhen (CN)  
(73) Assignee: **SHENZHEN TOPSHARP PRECISION ELECTRONICS CO., LTD.,** Shenzhen (CN)

(\*\*) Term: **15 Years**  
(21) Appl. No.: **29/675,626**  
(22) Filed: **Jan. 4, 2019**

(30) **Foreign Application Priority Data**

Dec. 20, 2018 (CN) ..... 2018 3 0743502  
(51) **LOC (11) Cl.** ..... **23-04**  
(52) **U.S. Cl.**  
USPC ..... **D23/382**; D7/392.1; D7/396.2; D6/309  
(58) **Field of Classification Search**  
USPC ..... D23/370-379, 381-385, 411-414, 360,  
D23/314, 335, 328, 332  
CPC . F04D 5/00; F04D 27/00; F04D 25/10; F04D  
29/64; F04D 19/00; F24H 3/04; B65D  
71/00  
See application file for complete search history.

(56) **References Cited**

**U.S. PATENT DOCUMENTS**

D338,262 S \* 8/1993 Oliphant ..... D23/328  
D338,714 S \* 8/1993 Oliphant ..... D23/328  
D387,153 S \* 12/1997 Fok ..... D23/332  
D387,422 S \* 12/1997 Radtke ..... D23/328  
D394,500 S \* 5/1998 Feer ..... D23/332  
D434,840 S \* 12/2000 Schaefer ..... D23/328

D440,288 S \* 4/2001 Schaefer ..... D23/328  
D443,053 S \* 5/2001 Schaefer ..... D23/328  
D510,994 S \* 10/2005 Indio Da Costa ..... D23/382  
D564,084 S \* 3/2008 Chen ..... D23/382  
D674,476 S 1/2013 Junkel  
D684,249 S 6/2013 Herbst  
D698,428 S \* 1/2014 Sands ..... D23/314  
D721,431 S \* 1/2015 Herbst ..... D23/382  
D758,790 S \* 6/2016 Boroski ..... D7/392.1  
D785,402 S \* 5/2017 Shirley ..... D7/392.1  
D801,060 S \* 10/2017 Hollinger ..... D6/309  
D807,487 S \* 1/2018 Delerue ..... D23/382  
D824,012 S \* 7/2018 Xu ..... D23/382  
D825,048 S 8/2018 Breit et al.  
2011/0303562 A1 \* 12/2011 Franklin ..... A45C 11/005  
206/223  
2016/0356279 A1 \* 12/2016 Xu ..... F04D 25/084

\* cited by examiner

*Primary Examiner* — Janice Hallmark

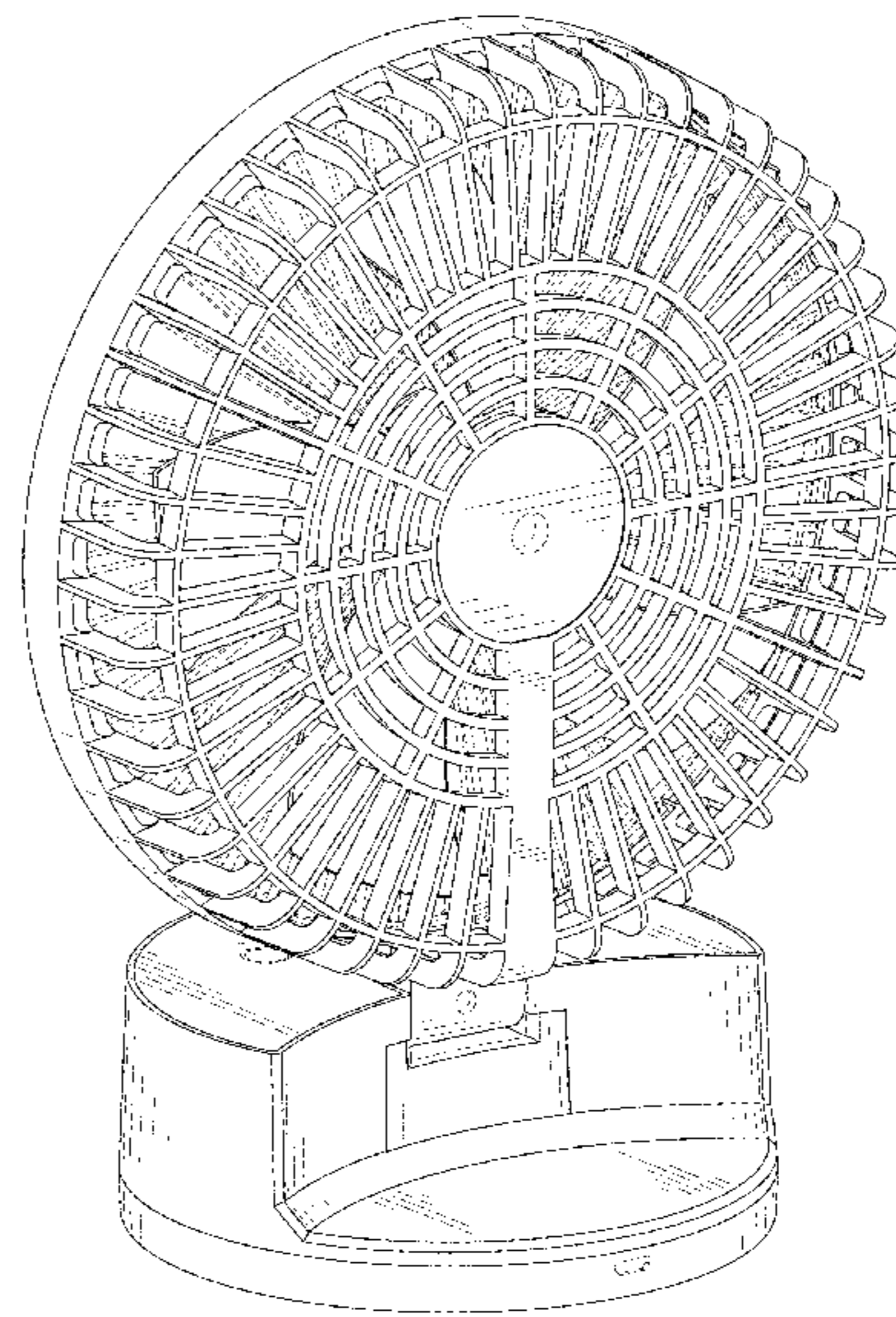
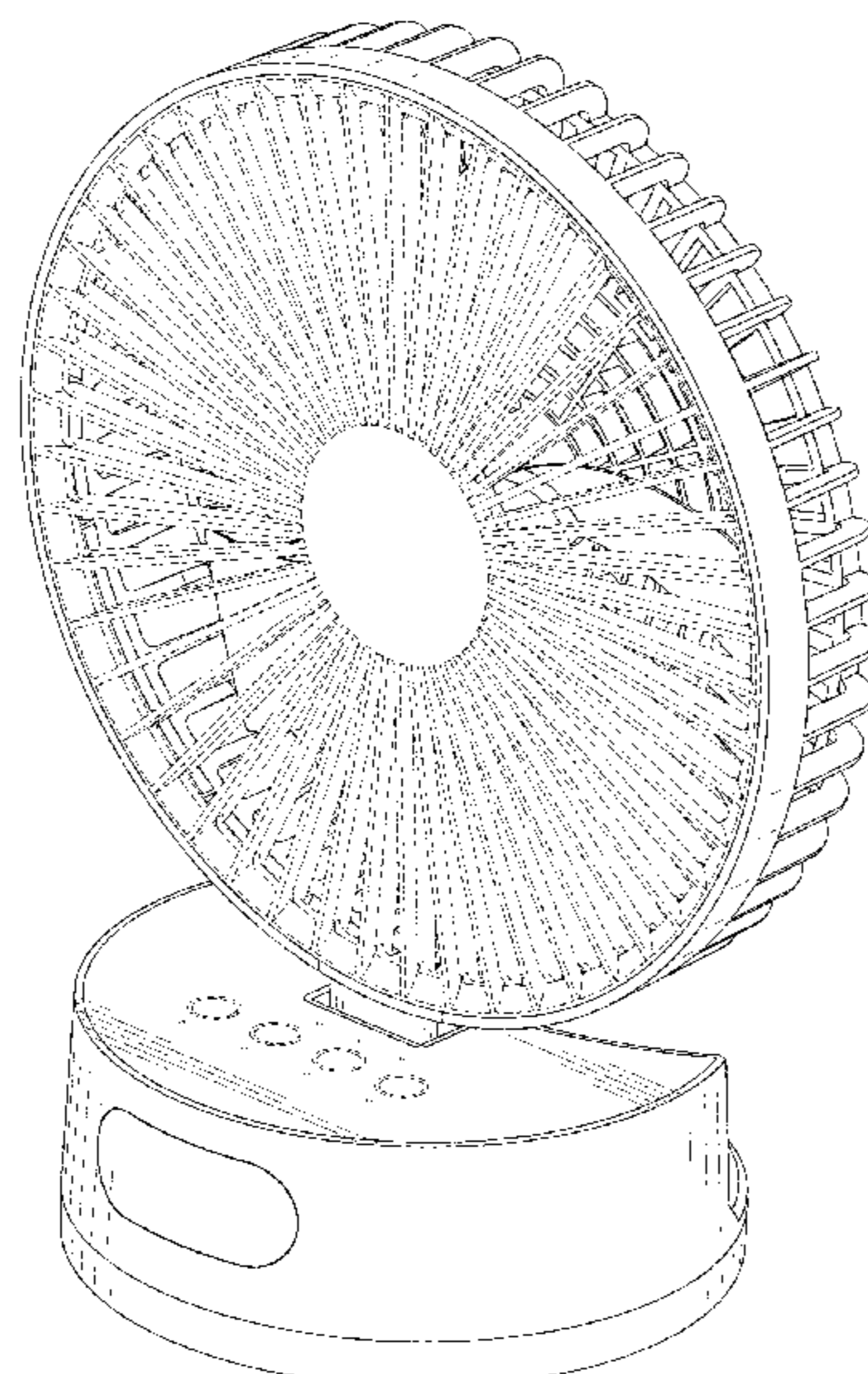
(57) **CLAIM**

The ornamental design for a fan, as shown and described.

**DESCRIPTION**

FIG. 1 is a front elevational view of the fan showing my new design;  
FIG. 2 is a rear elevational view thereof;  
FIG. 3 is a left side elevational view thereof;  
FIG. 4 is a right side elevational view thereof;  
FIG. 5 is a top plan view thereof;  
FIG. 6 is a bottom plan view thereof;  
FIG. 7 is a perspective view thereof;  
FIG. 8 is another perspective view thereof;  
FIG. 9 is another perspective view of the fan, shown in a second position; and,  
FIG. 10 is another perspective view thereof.  
The broken lines in the drawings depict portions of the fan that form no part of the claimed design.

**1 Claim, 10 Drawing Sheets**



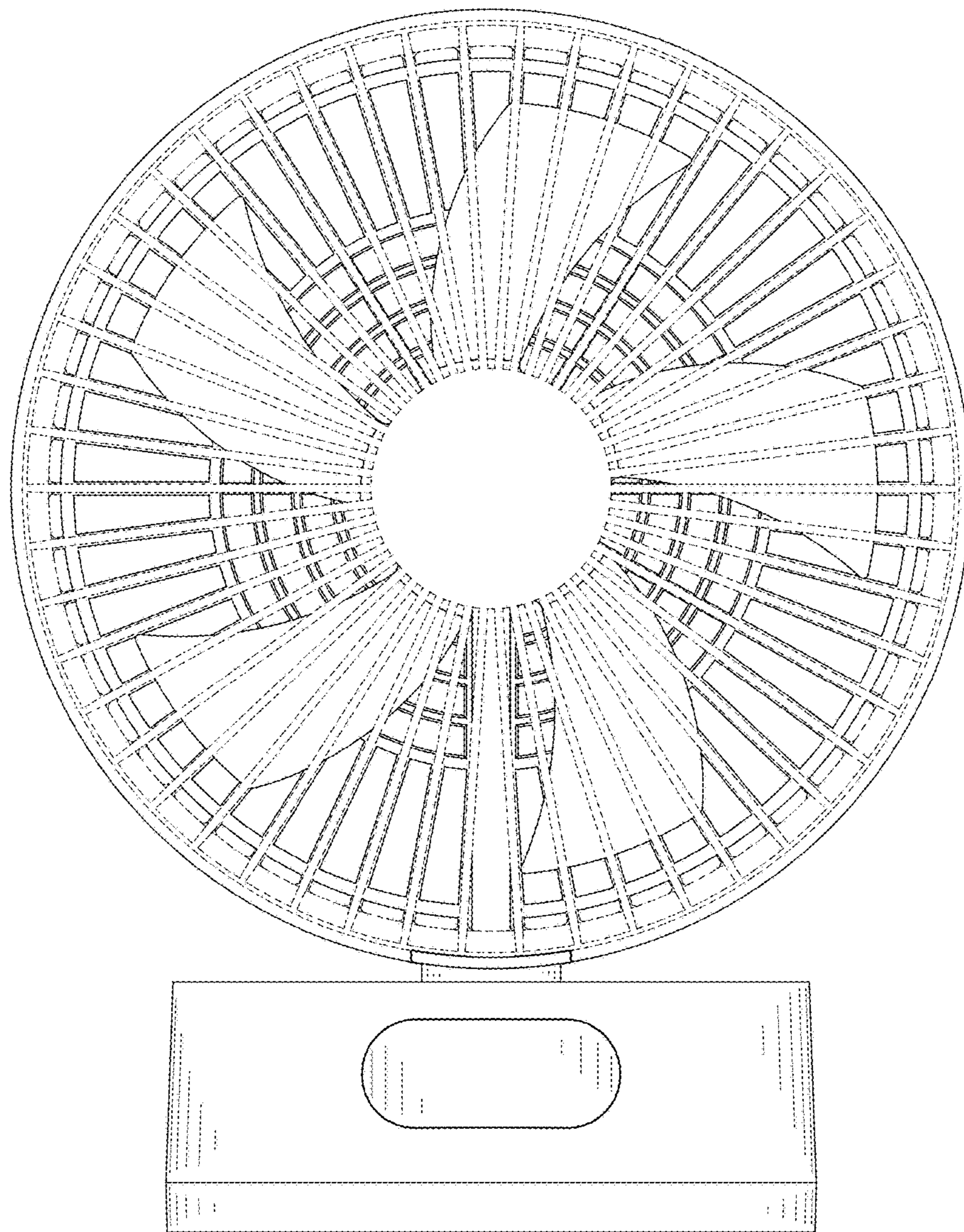


FIG. 1

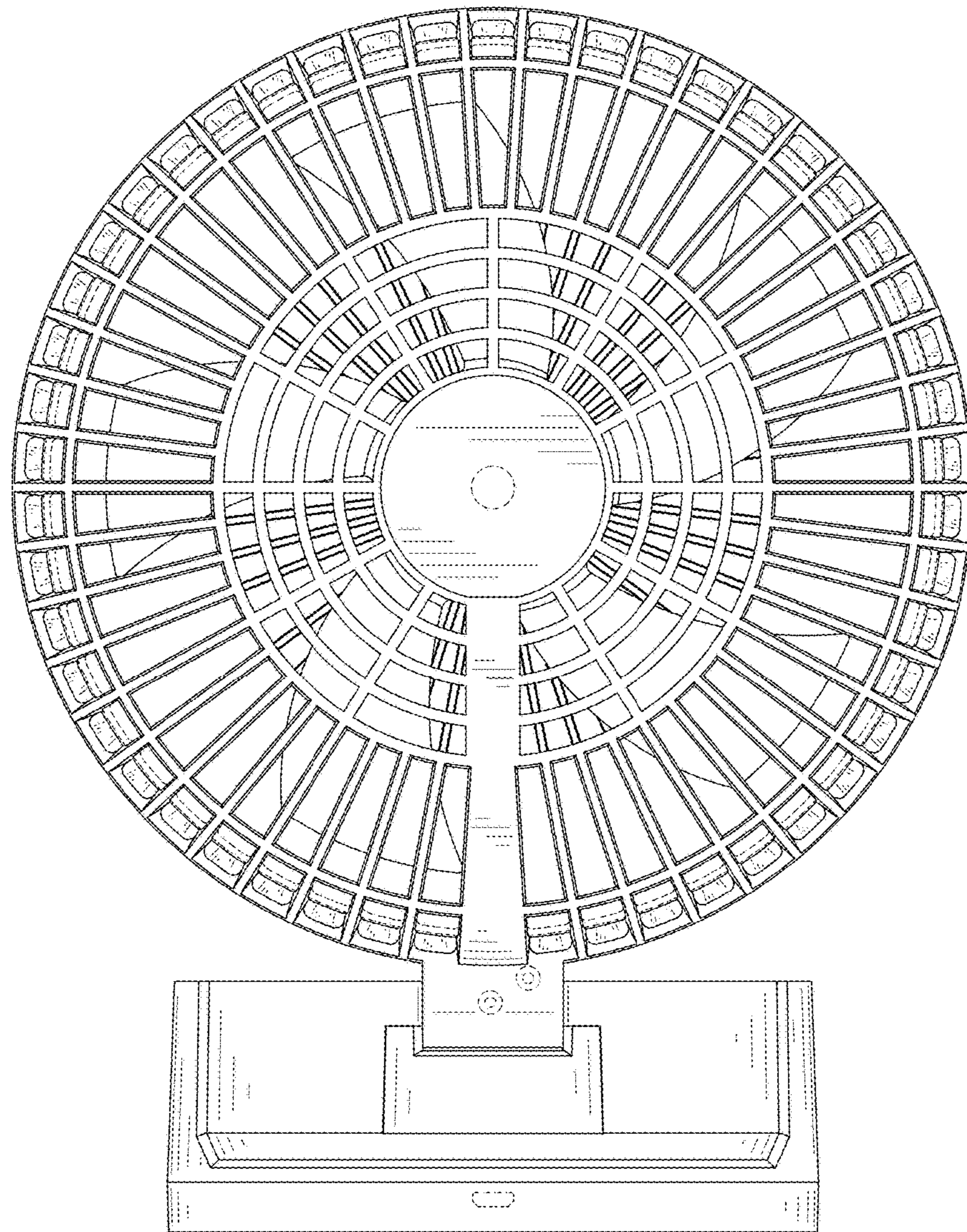


FIG. 2

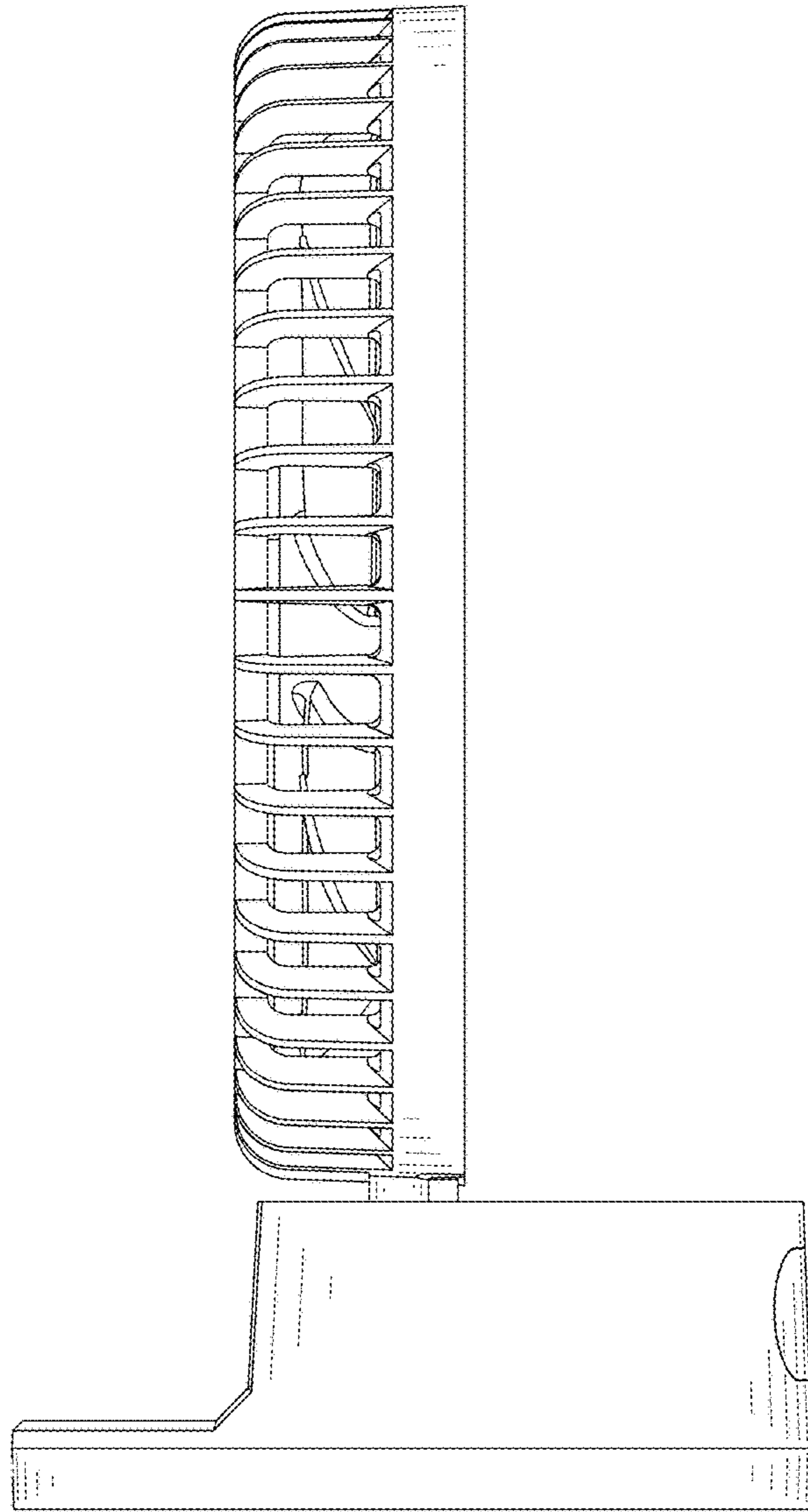


FIG. 3

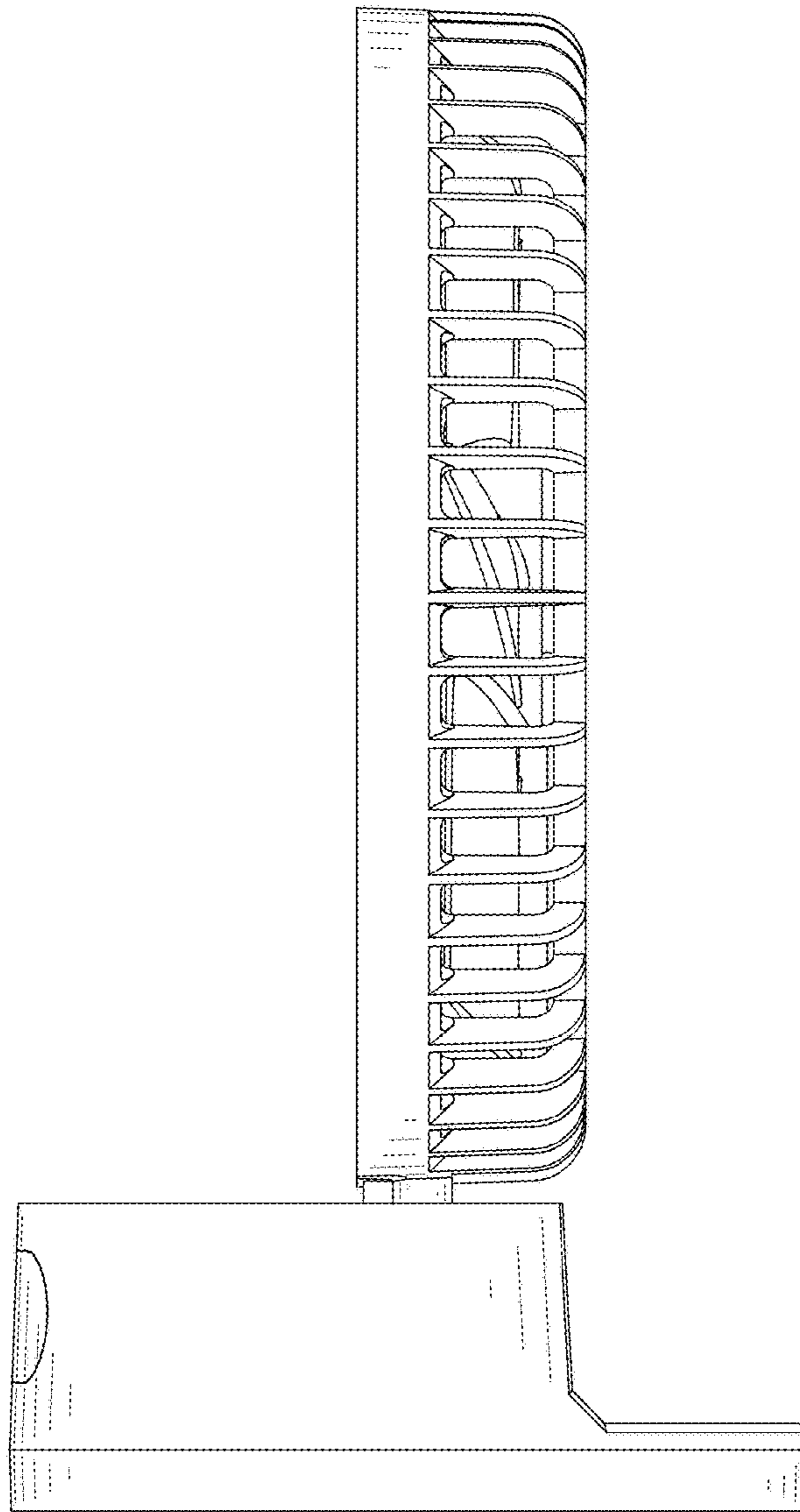


FIG. 4

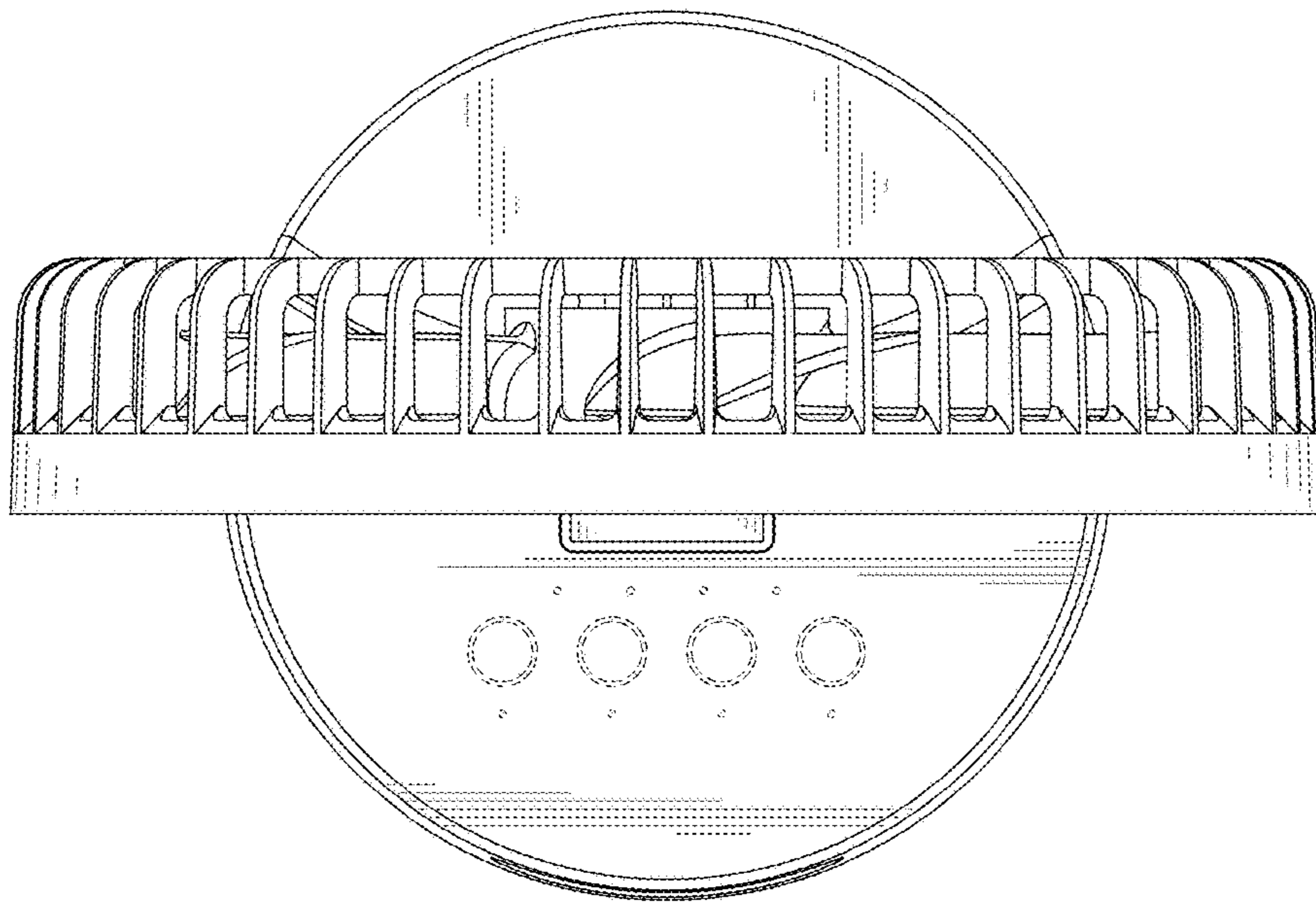


FIG. 5

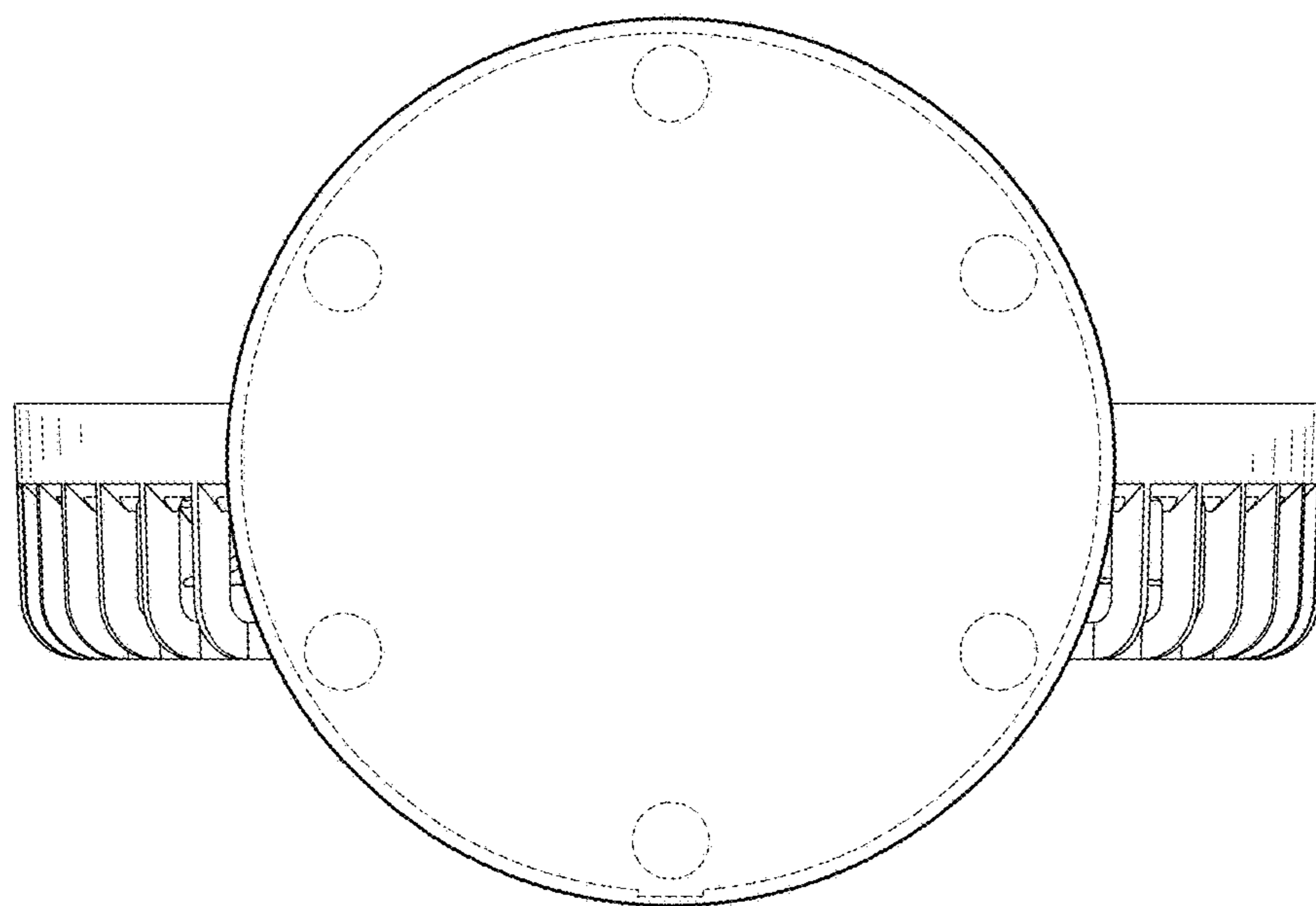


FIG. 6

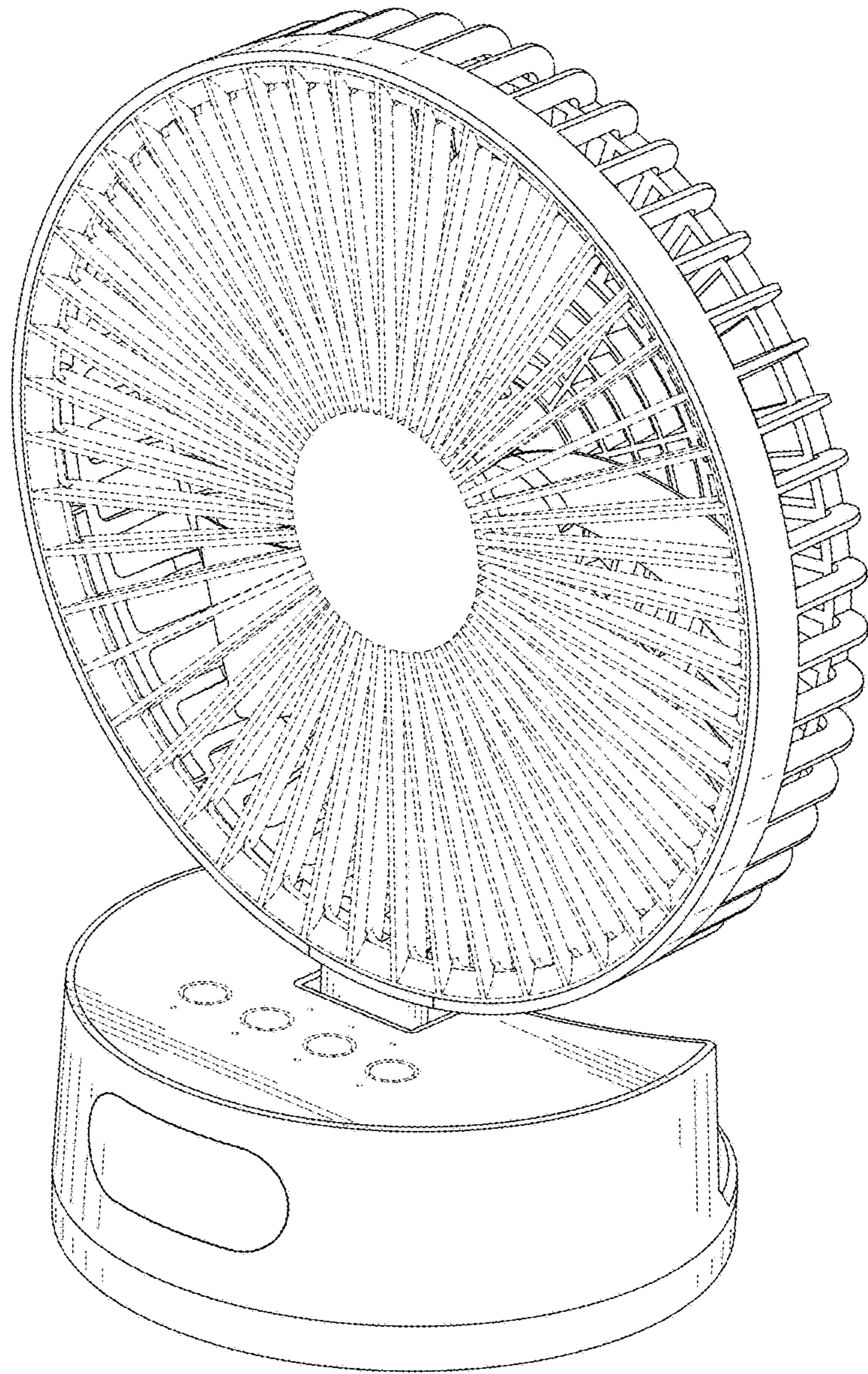


FIG. 7



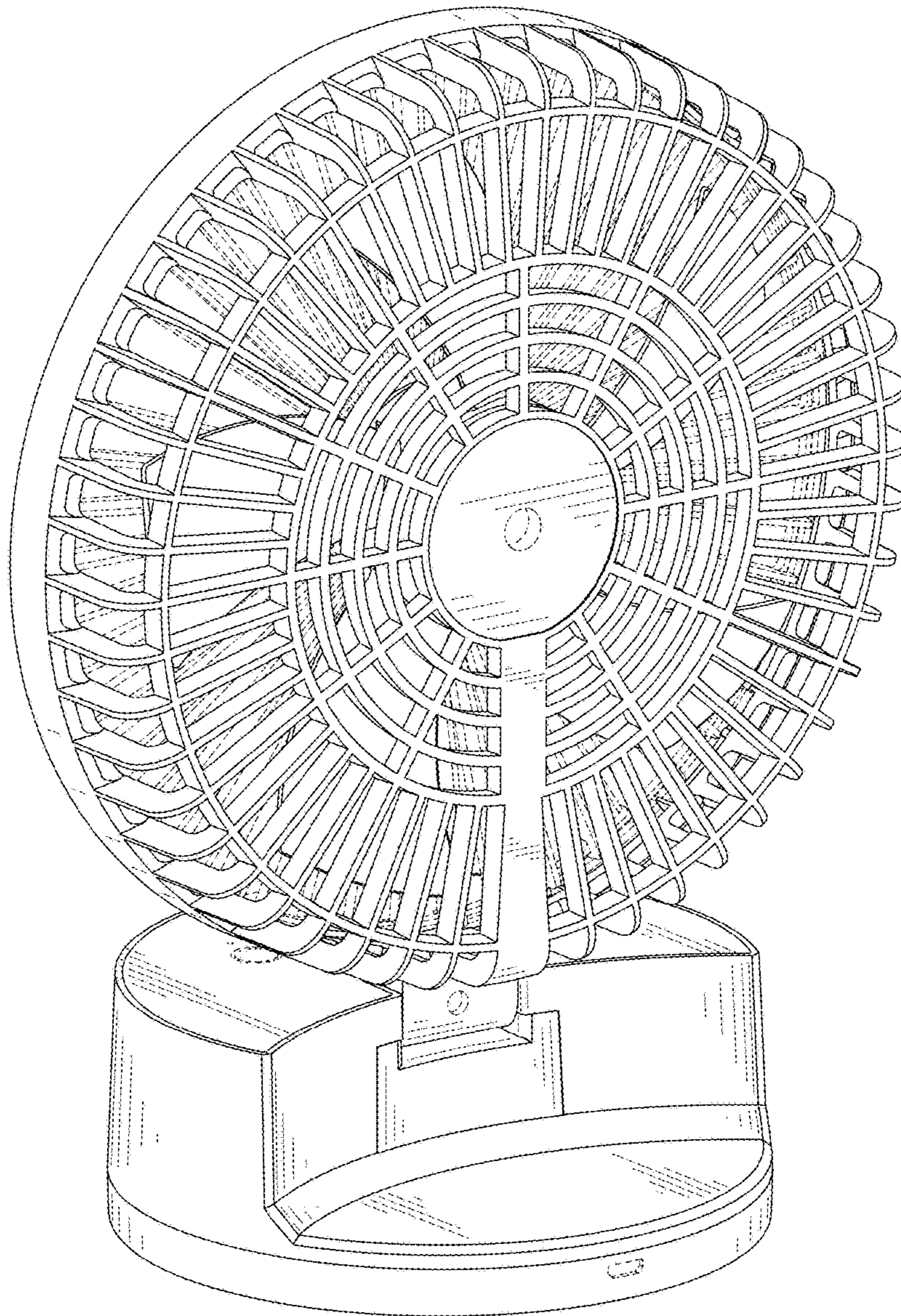


FIG. 8

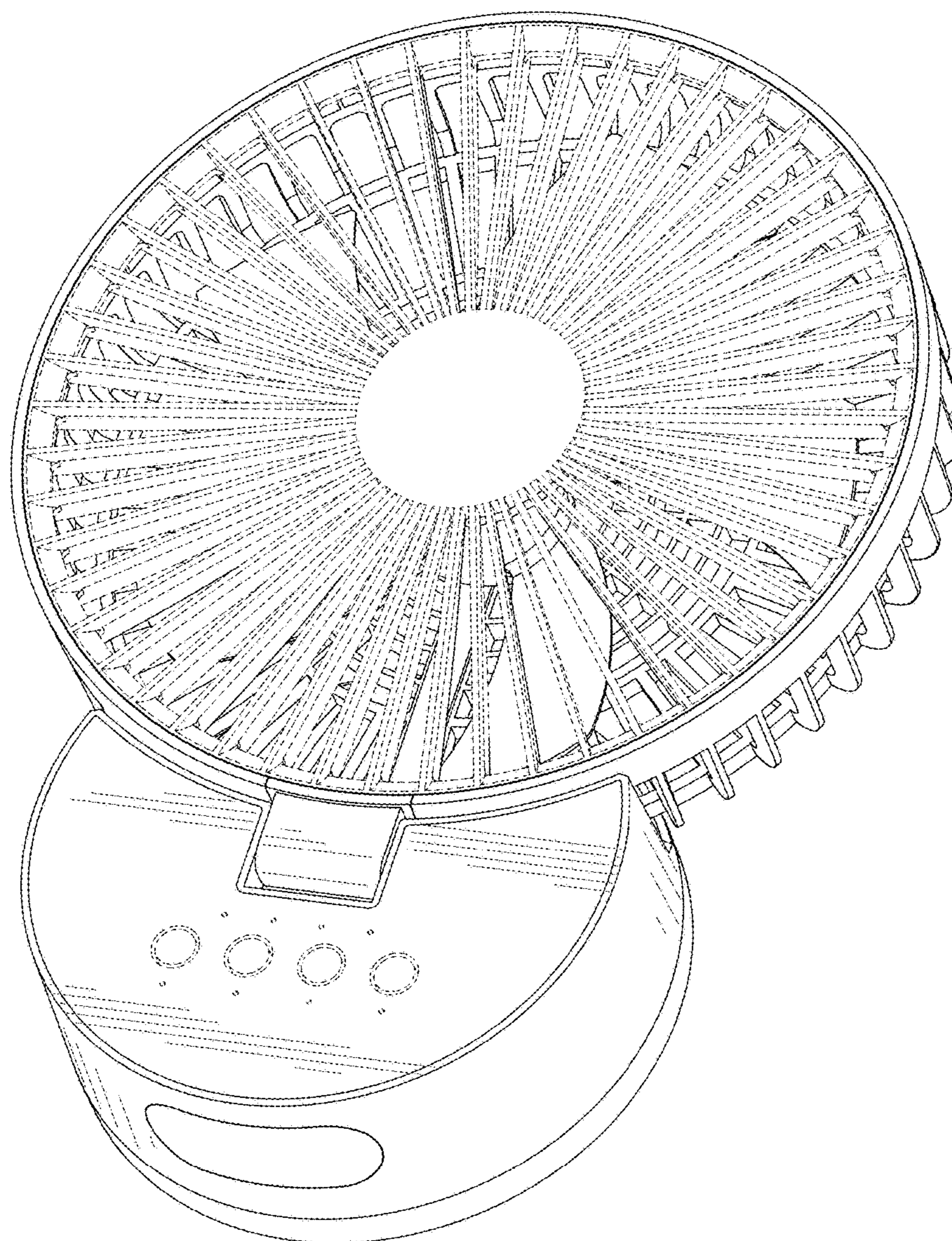


FIG. 9

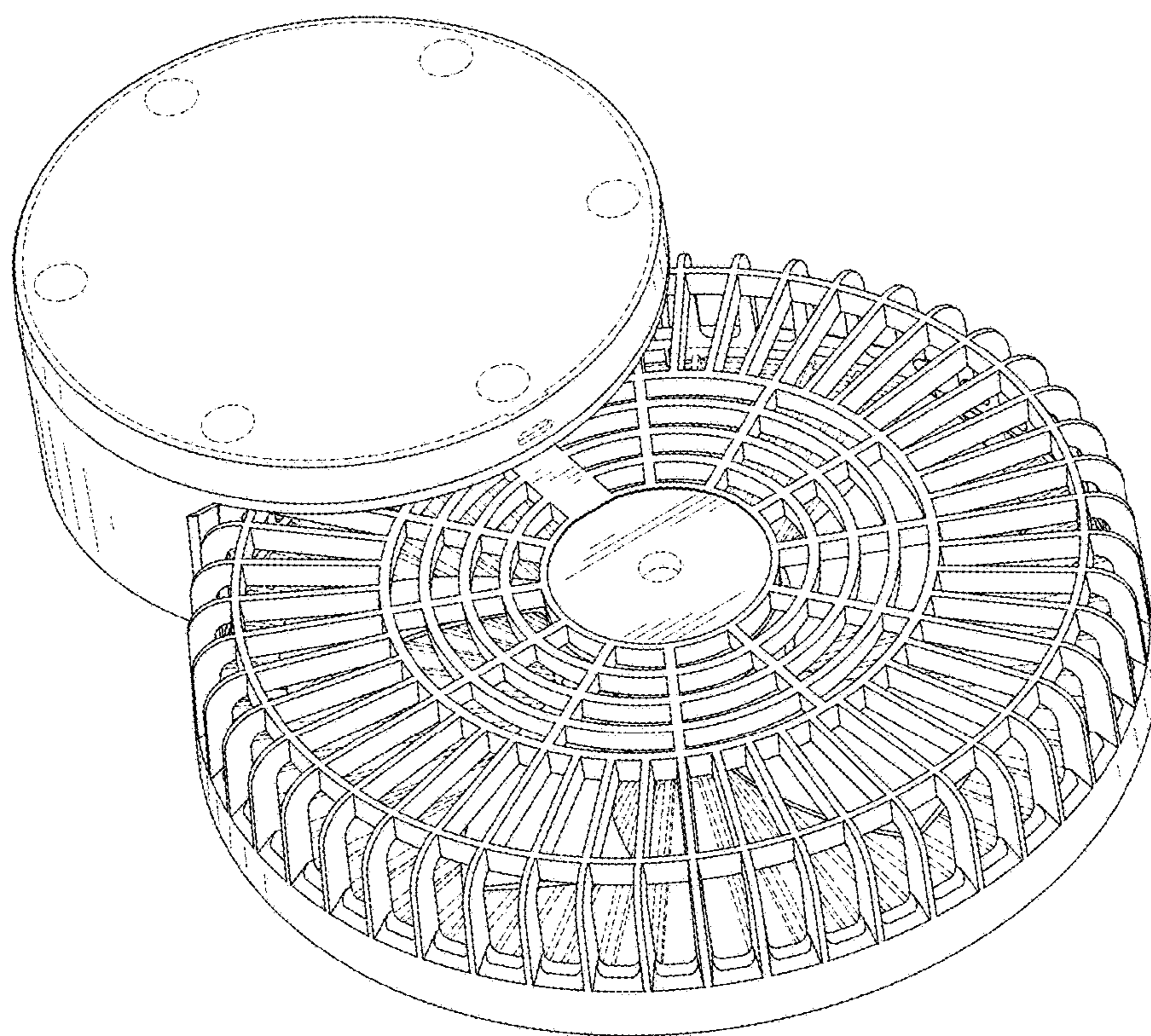


FIG. 10