



US00D855170S

(12) **United States Design Patent**
Hyon et al.

(10) **Patent No.: US D855,170 S**
(45) **Date of Patent: ** Jul. 30, 2019**

(54) **AIR PURIFIER**

(56) **References Cited**

(71) Applicant: **LG ELECTRONICS INC.**, Seoul (KR)

(72) Inventors: **Chinsoo Hyon**, Seoul (KR); **Seungho Baek**, Seoul (KR); **Yunseo Jang**, Seoul (KR); **Jaeyeong Jo**, Seoul (KR)

(73) Assignee: **LG ELECTRONICS INC.**, Seoul (KR)

(**) Term: **15 Years**

(21) Appl. No.: **35/504,883**

(22) Filed: **Nov. 9, 2017**

(80) **Hague Agreement Data**
 Int. Filing Date: **Nov. 9, 2017**
 Int. Reg. No.: **DM/098468**
 Int. Reg. Date: **Nov. 9, 2017**
 Int. Reg. Pub. Date: **May 11, 2018**

U.S. PATENT DOCUMENTS

D425,609 S *	5/2000	Hyon	D23/359
D429,805 S *	8/2000	Hyon	D23/359
D462,754 S *	9/2002	Briggs	D23/364
D465,567 S *	11/2002	Choi	D23/364
D518,158 S *	3/2006	Cho	D23/364
D536,433 S *	2/2007	Murai	D23/364
D537,512 S *	2/2007	Nakajima	D23/359
D549,308 S *	8/2007	Chiu	D23/333
D550,343 S *	9/2007	Chen	D23/364
D557,783 S *	12/2007	Yoo	D23/359
D572,352 S *	7/2008	Chiu	D23/333
D575,857 S *	8/2008	Chiu	D23/333
D578,629 S *	10/2008	Yoo	D23/333
D578,632 S *	10/2008	Chen	D23/364
D586,451 S *	2/2009	Murai	D23/364
D587,794 S *	3/2009	Yoo	D23/359
D589,132 S *	3/2009	Chiu	D23/333
D604,401 S *	11/2009	Chun	D23/359
D605,272 S *	12/2009	Chun	D23/359
D605,745 S *	12/2009	Chun	D23/359
D617,437 S *	6/2010	Matsuzaki	D23/364

(Continued)

Primary Examiner — Richard E Chilcot
(74) *Attorney, Agent, or Firm* — Birch, Stewart, Kolasch & Birch, LLP

(57) **CLAIM**

The ornamental design for an air purifier, as shown and described.

DESCRIPTION

- 1. Air purifier
- 1.1 : Perspective
- 1.2 : Front
- 1.3 : Back
- 1.4 : Left
- 1.5 : Right
- 1.6 : Top
- 1.7 : Bottom
- 1.8 : Reference
- 1.9 : Reference

The broken lines indicate unclaimed portions of the article that form no part of the claimed design.

(30) **Foreign Application Priority Data**
 May 10, 2017 (KR) 30-2017-0020948

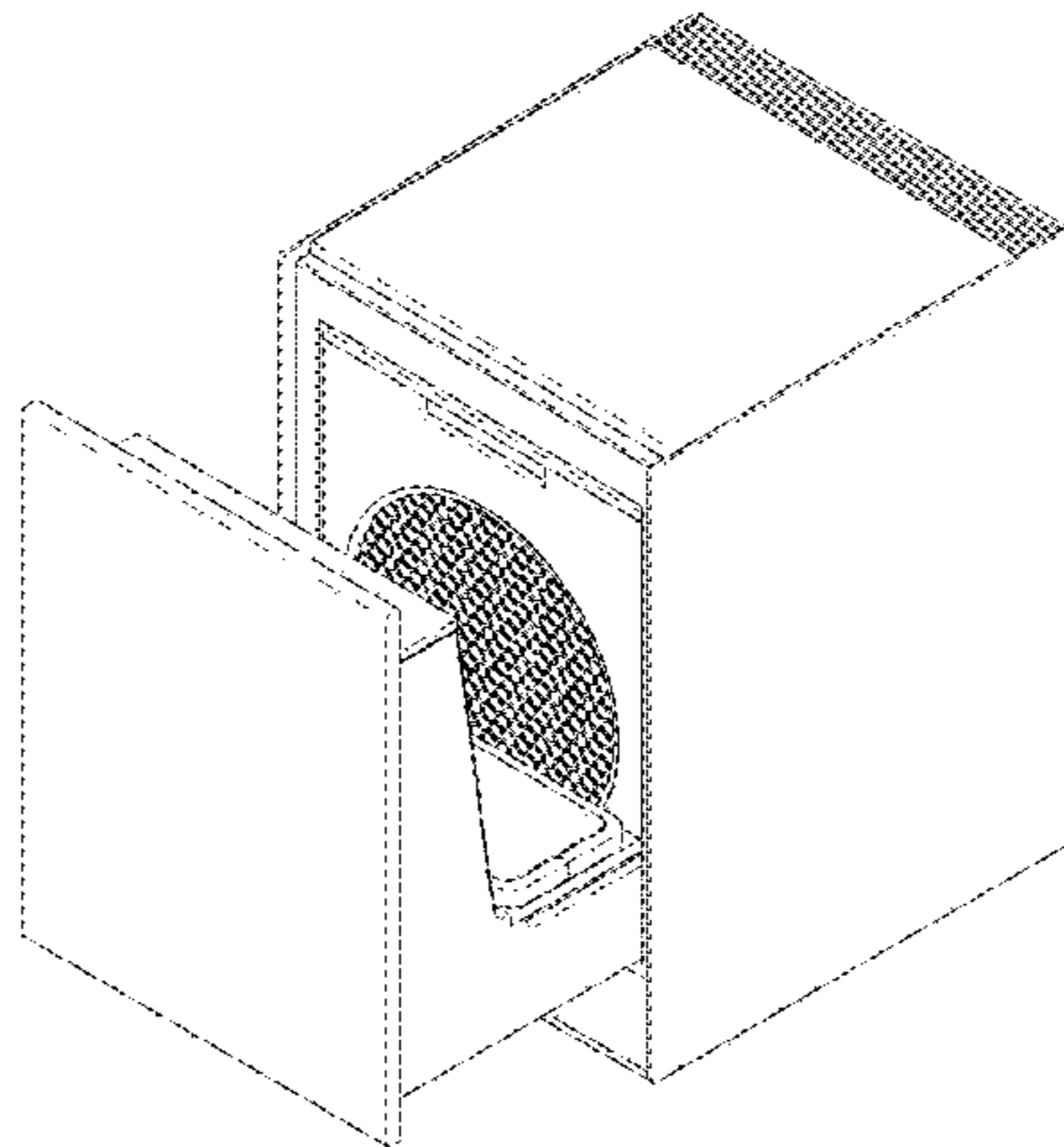
(51) **LOC (11) Cl.** **23-04**

(52) **U.S. Cl.**
 USPC **D23/364**
 CPC **A61L 9/00** (2013.01)

(58) **Field of Classification Search**
 USPC D23/209, 210, 355-365
 CPC A61L 9/00; A61L 9/02; A61L 9/03; A61L 9/034; A61L 9/04; A61L 9/12; A61L 9/032; A61L 9/122; A61L 9/127; A61L 9/22; B01D 46/00; B01D 46/0002; B01D 46/20; F02M 35/04; F24F 13/20; A62B 21/00

See application file for complete search history.

1 Claim, 9 Drawing Sheets



(56)

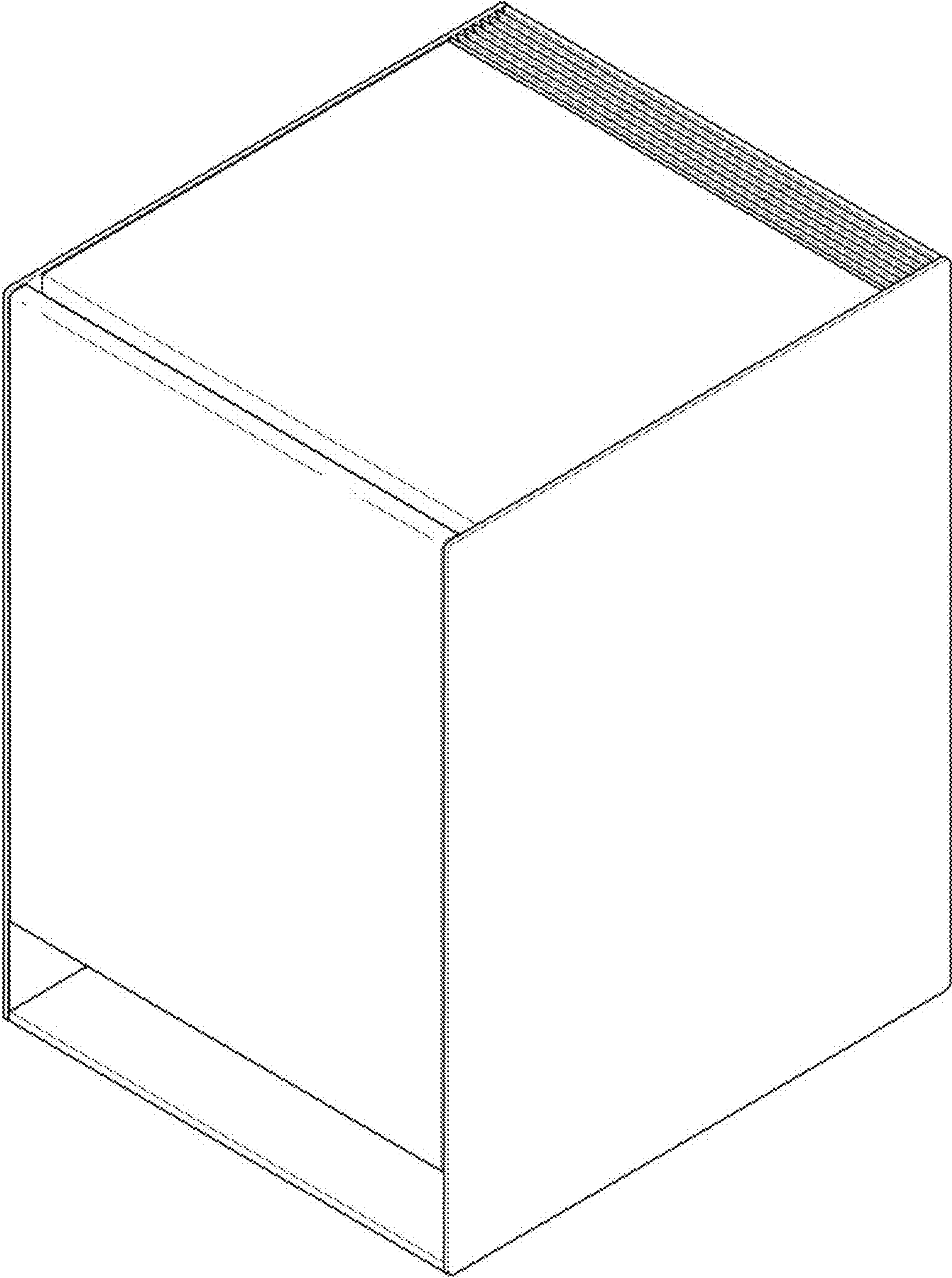
References Cited

U.S. PATENT DOCUMENTS

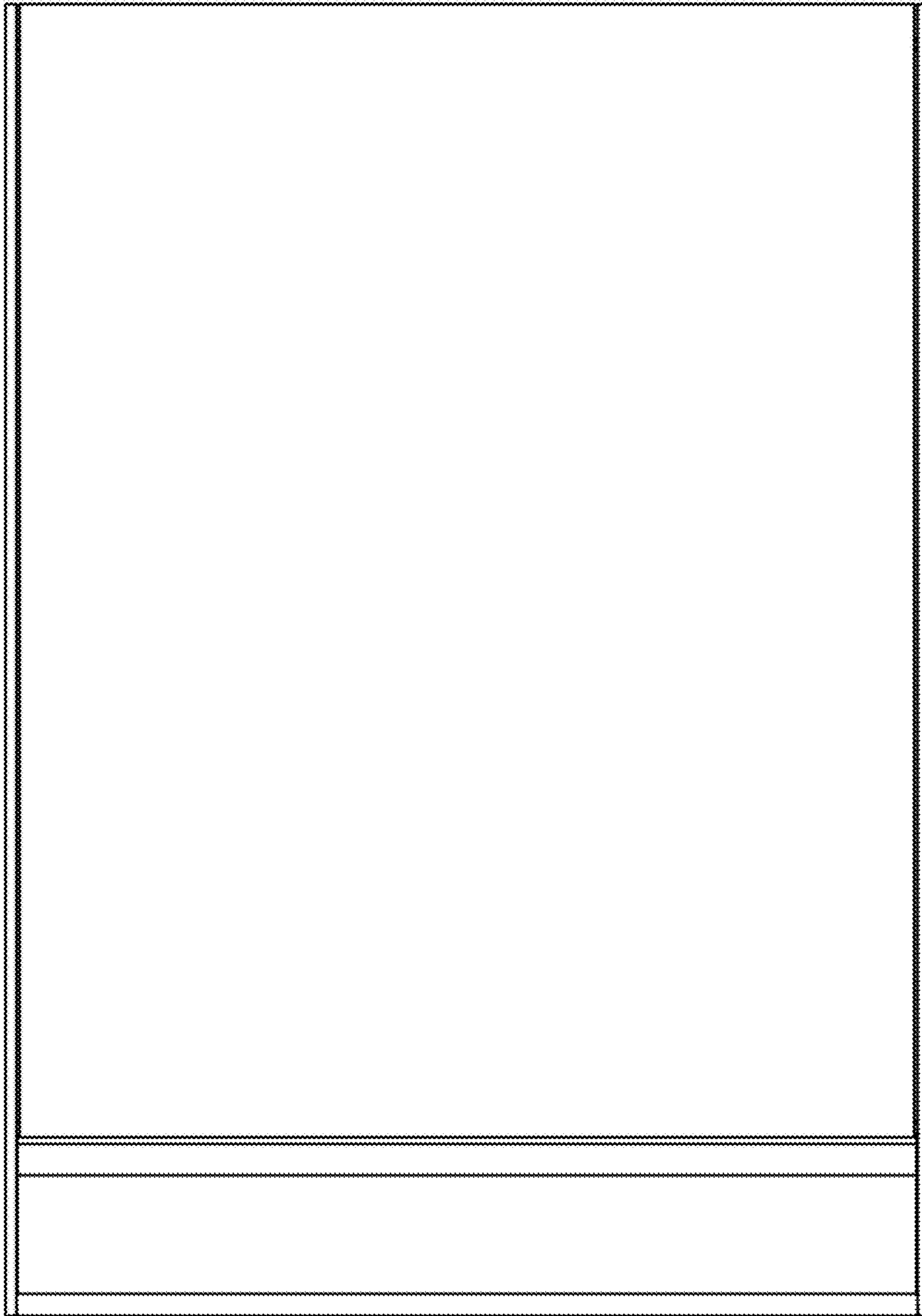
D635,655 S *	4/2011	Chen	D23/364	D806,844 S *	1/2018	Kim	D23/364
D656,597 S *	3/2012	Liu	D23/356	D806,845 S *	1/2018	Kim	D23/364
D662,576 S *	6/2012	Shore	D23/364	D807,998 S *	1/2018	Kim	D23/364
D664,247 S *	7/2012	Paterson	D23/364	D809,113 S *	1/2018	Cho	D23/364
D676,537 S *	2/2013	Yoo	D23/359	D817,467 S *	5/2018	Shin	D23/364
D683,439 S *	5/2013	Choi	D23/364	D818,095 S *	5/2018	Cho	D23/364
D708,728 S *	7/2014	Yoo	D23/364	D818,096 S *	5/2018	Cho	D23/364
D724,191 S *	3/2015	Yoo	D23/355	D818,097 S *	5/2018	Cho	D23/364
D725,253 S *	3/2015	Choi	D23/359	D818,098 S *	5/2018	Cho	D23/364
D737,944 S *	9/2015	Shore	D23/364	D818,099 S *	5/2018	Cho	D23/364
D744,077 S *	11/2015	Yasukochi	D23/364	D818,100 S *	5/2018	Cho	D23/364
D757,239 S *	5/2016	Kim	D23/359	D820,422 S *	6/2018	Kim	D23/364
D797,914 S *	9/2017	Nygren	D23/364	D821,556 S *	6/2018	Shore	D23/364
D803,369 S *	11/2017	Kim	D23/364	D829,313 S *	9/2018	Cho	D23/364
					D829,314 S *	9/2018	Cho	D23/364
					D831,810 S *	10/2018	Cho	D23/364
					D831,811 S *	10/2018	Cho	D23/364

* cited by examiner

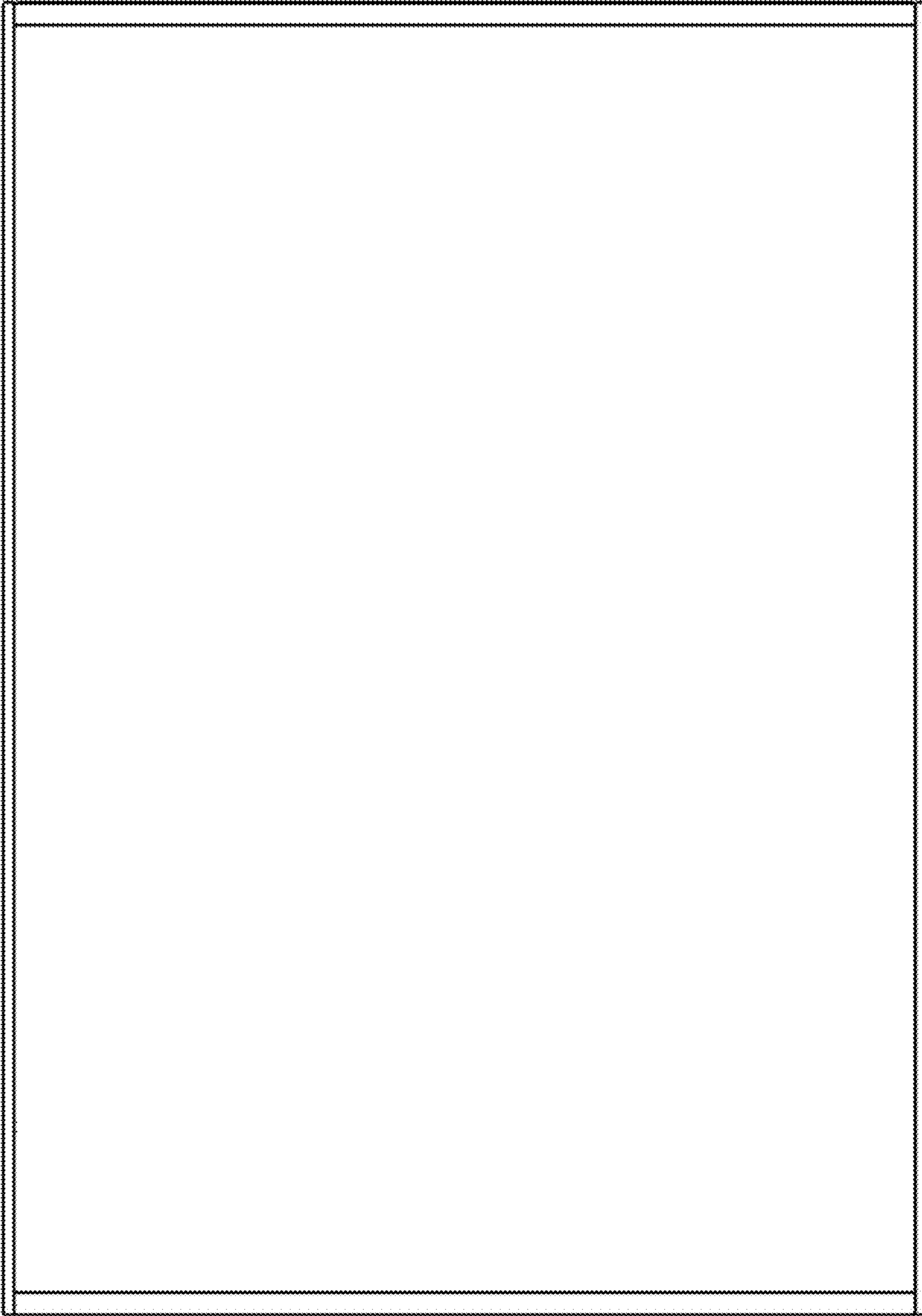
1.1



1.2



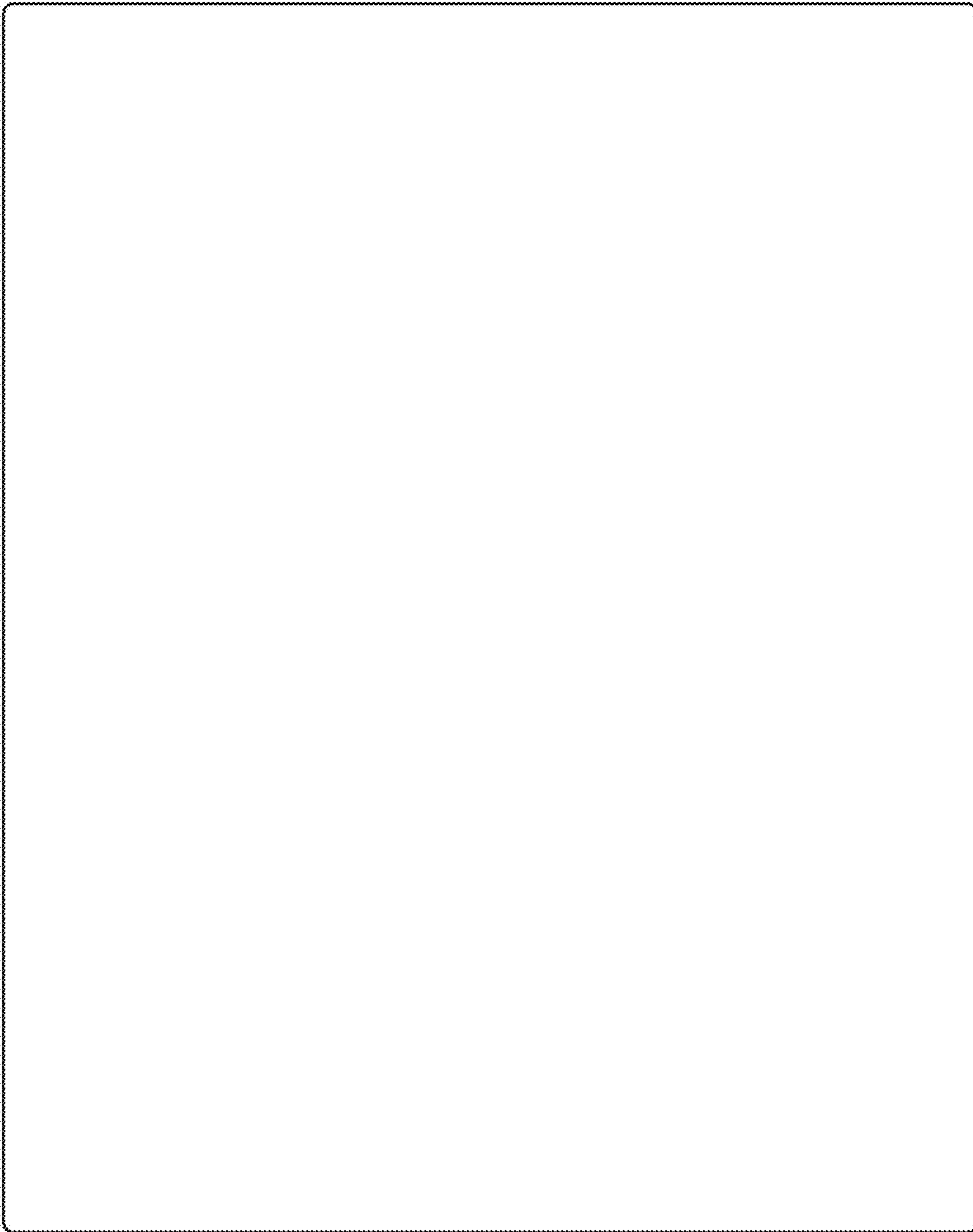
1.3



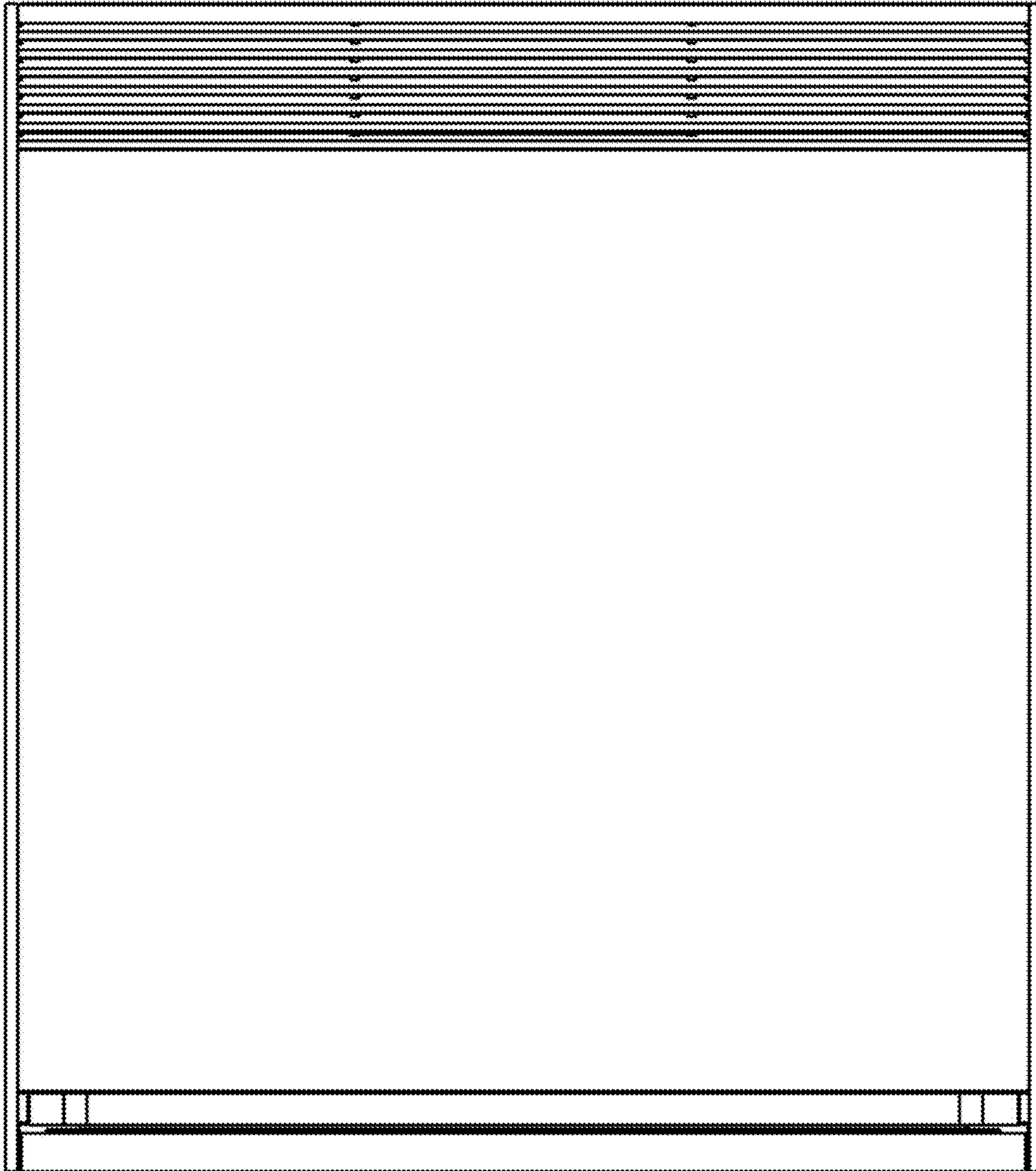
1.4



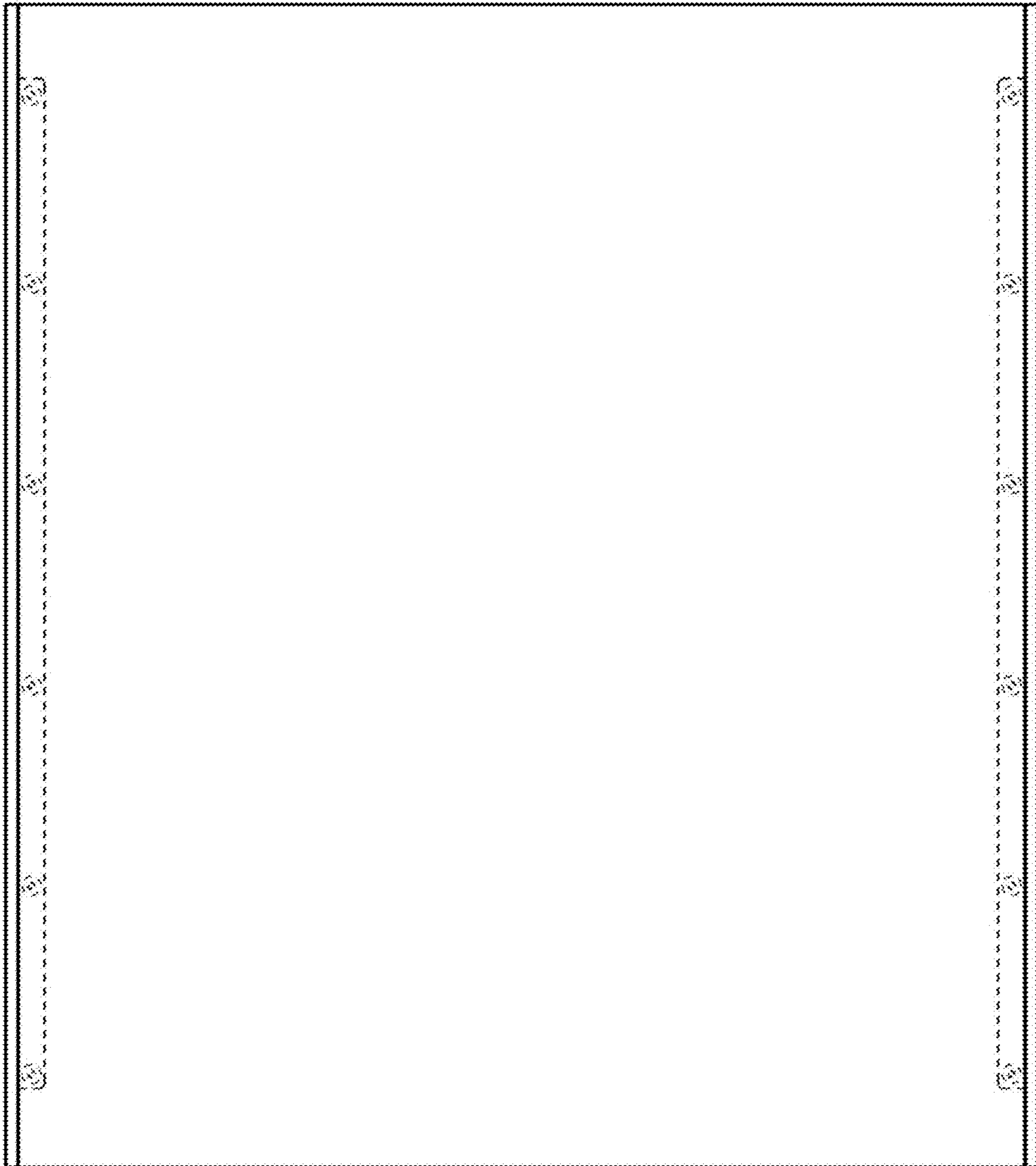
1.5



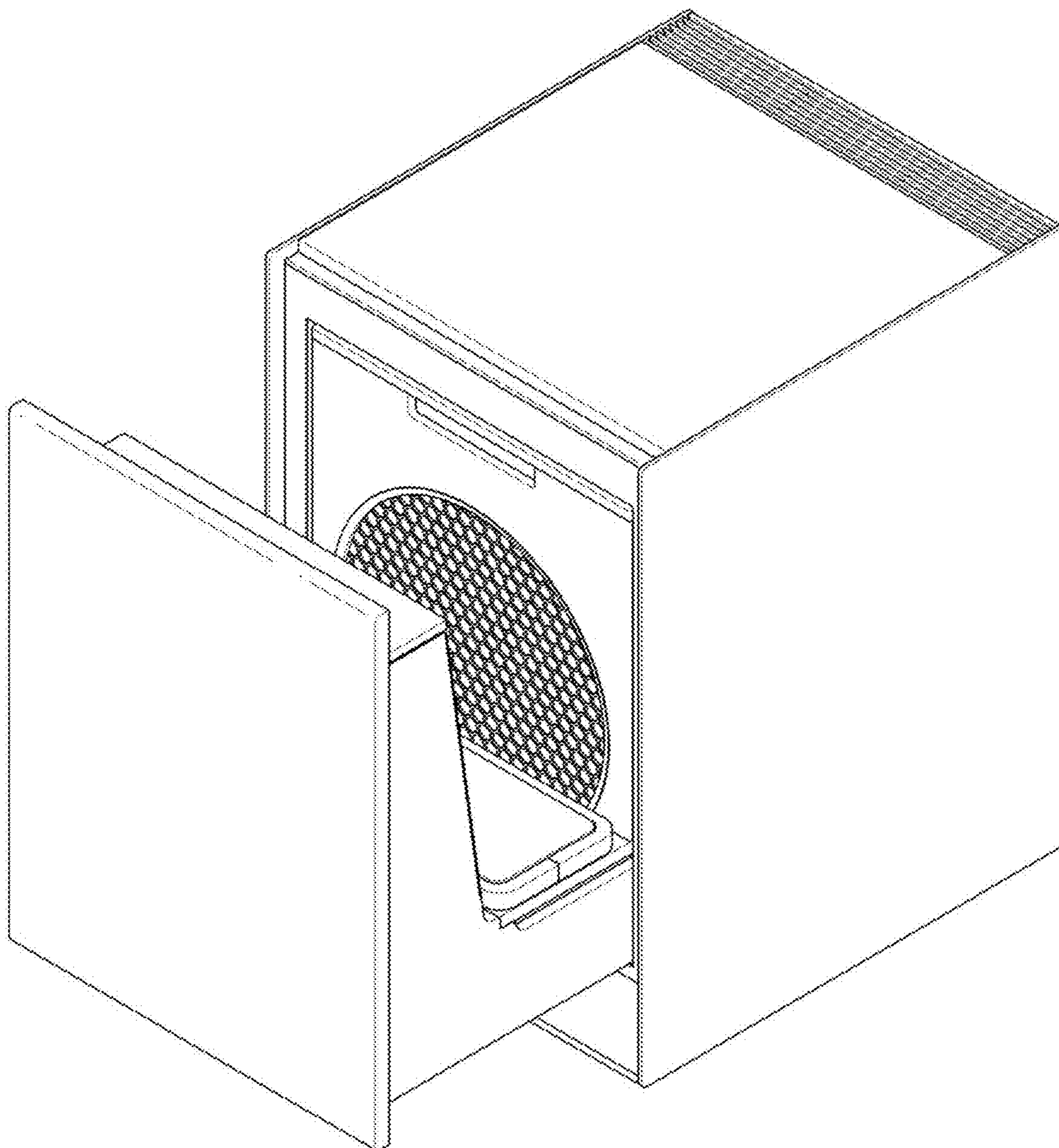
1.6



1.7



1.8



1.9

