



US00D855168S

(12) **United States Design Patent**
Hyon et al.

(10) **Patent No.:** **US D855,168 S**
(45) **Date of Patent:** **** Jul. 30, 2019**

(54) **HUMIDIFYING AIR PURIFIER**
(71) Applicant: **LG ELECTRONICS INC.**, Seoul (KR)
(72) Inventors: **Chinsoo Hyon**, Seoul (KR); **Seungho Baek**, Seoul (KR); **Yunseo Jang**, Seoul (KR); **Jaeyeong Jo**, Seoul (KR)
(73) Assignee: **LG ELECTRONICS INC.**, Seoul (KR)
(**) Term: **15 Years**

D537,512 S * 2/2007 Nakajima D23/359
D549,308 S * 8/2007 Chiu D23/333
D550,343 S * 9/2007 Chen D23/364
D557,783 S * 12/2007 Yoo D23/359
D572,352 S * 7/2008 Chiu D23/333
D575,857 S * 8/2008 Chiu D23/333
D578,629 S * 10/2008 Yoo D23/333
D578,632 S * 10/2008 Chen D23/364
D586,451 S * 2/2009 Murai D23/364
D587,794 S * 3/2009 Yoo D23/359
D589,132 S * 3/2009 Chiu D23/333
D617,437 S * 6/2010 Matsuzaki D23/364
D635,655 S * 4/2011 Chen D23/364

(21) Appl. No.: **35/504,909**

(22) Filed: **Nov. 9, 2017**

(80) **Hague Agreement Data**

Int. Filing Date: **Nov. 9, 2017**
Int. Reg. No.: **DM/099802**
Int. Reg. Date: **Nov. 9, 2017**
Int. Reg. Pub. Date: **May 11, 2018**

(30) **Foreign Application Priority Data**

May 10, 2017 (KR) 30-2017-0020946
(51) **LOC (11) Cl.** **23-04**
(52) **U.S. Cl.**
USPC **D23/356**
CPC **A61L 9/00 (2013.01)**
(58) **Field of Classification Search**
USPC D23/209, 210, 355-365
CPC A61L 9/00; A61L 9/02; A61L 9/03; A61L 9/034; A61L 9/04; A61L 9/12; A61L 9/032; A61L 9/122; A61L 9/127; A61L 9/22; B01D 46/00; B01D 46/0002; B01D 46/20; F02M 35/04; F24F 13/20; A62B 21/00
See application file for complete search history.

(56) **References Cited**

U.S. PATENT DOCUMENTS

D462,754 S * 9/2002 Briggs D23/364
D536,433 S * 2/2007 Murai D23/364

(Continued)

Primary Examiner — Richard E Chilcot

(74) *Attorney, Agent, or Firm* — Birch, Stewart, Kolasch & Birch, LLP

(57) **CLAIM**

The ornamental design for a humidifying air purifier, as shown and described.

DESCRIPTION

1. Humidifying air purifier

1.1 : Perspective

1.2 : Front

1.3 : Back

1.4 : Left

1.5 : Right

1.6 : Top

1.7 : Bottom

1.8 : Perspective

1.9 : Front

1.10 : Back

1.11 : Left

1.12 : Right

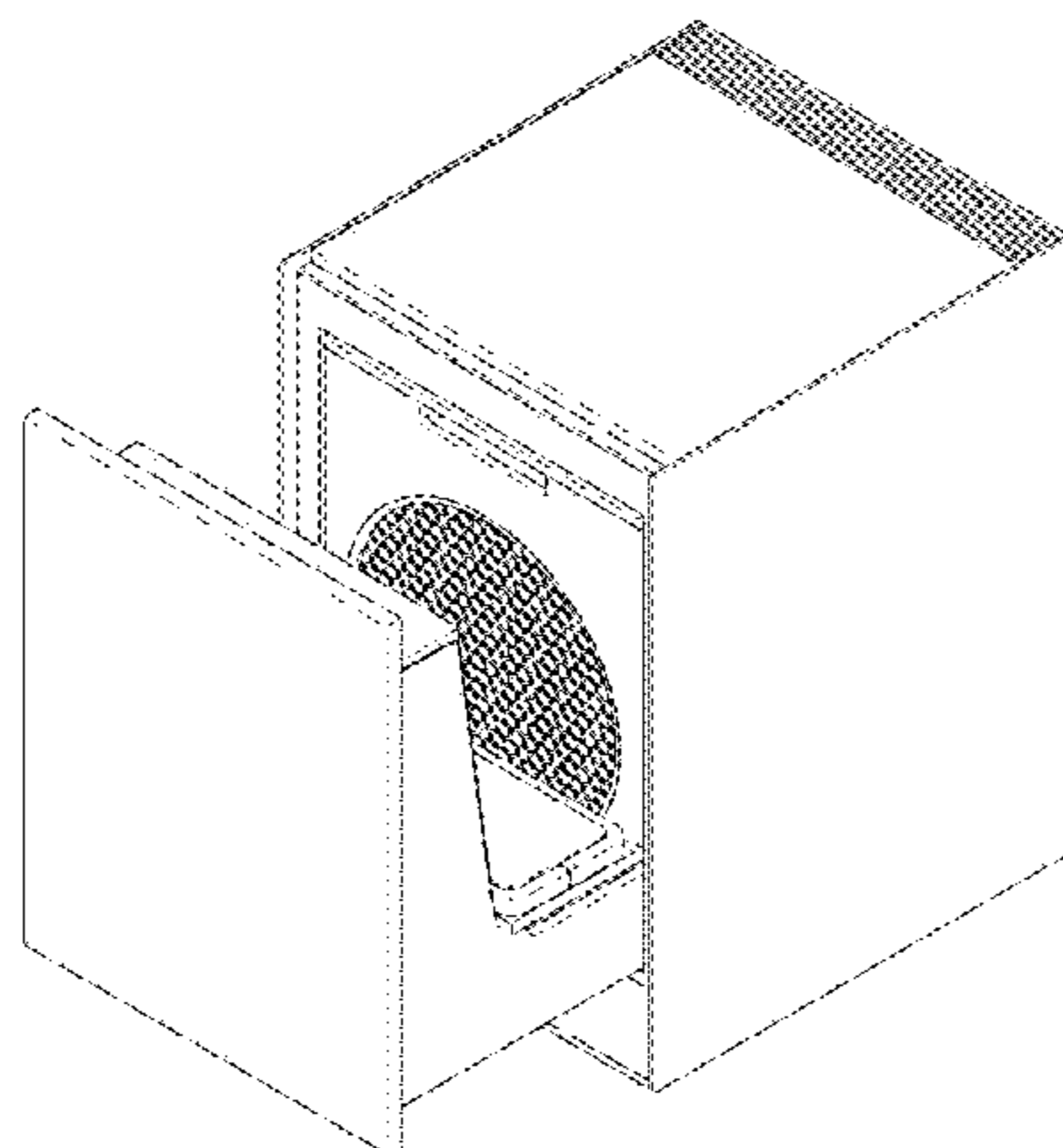
1.13 : Top

1.14 : Bottom

1.15 : Reference

The broken lines indicate unclaimed portions of the article that form no part of the claimed design.

1 Claim, 15 Drawing Sheets



(56)

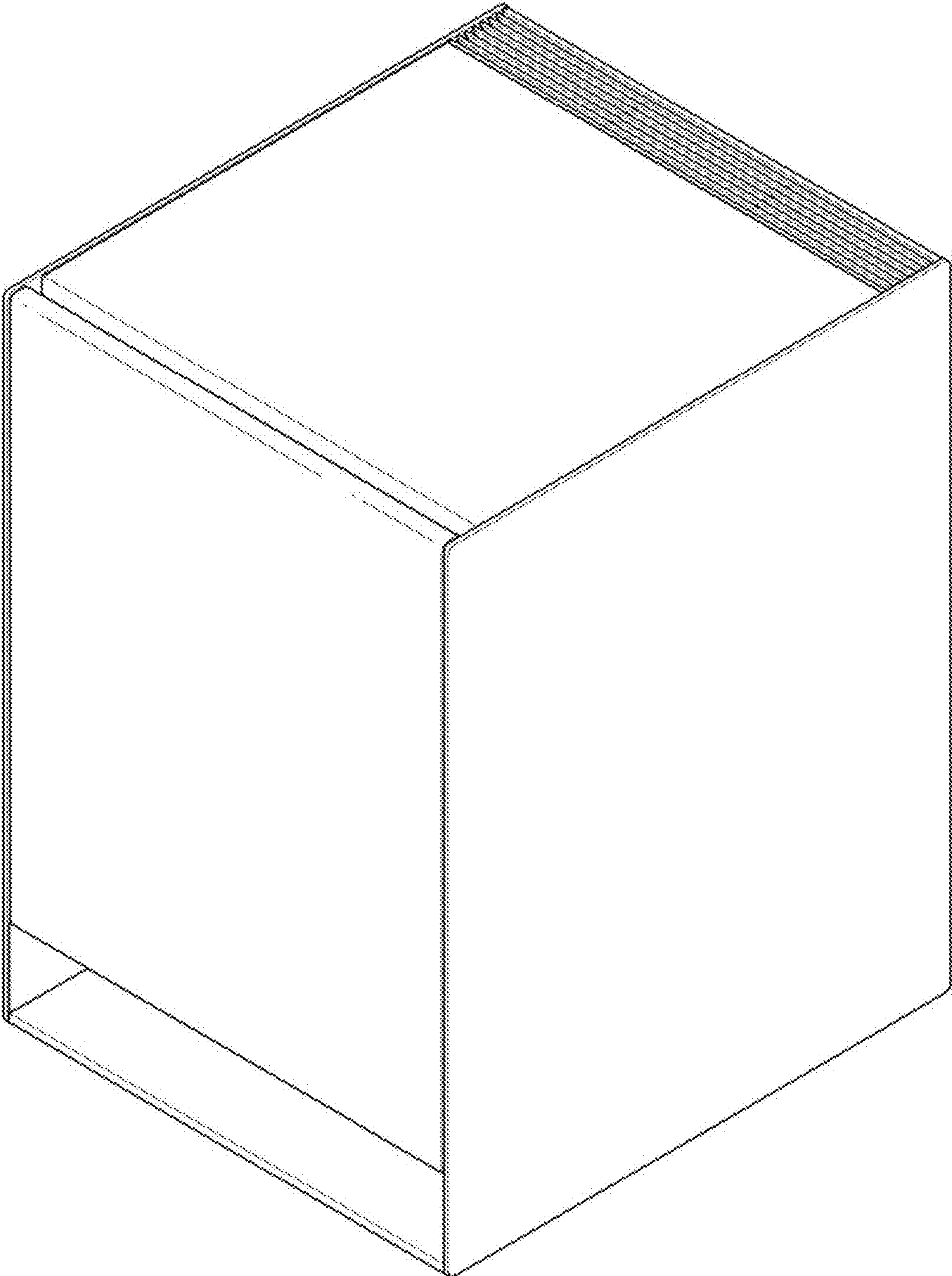
References Cited

U.S. PATENT DOCUMENTS

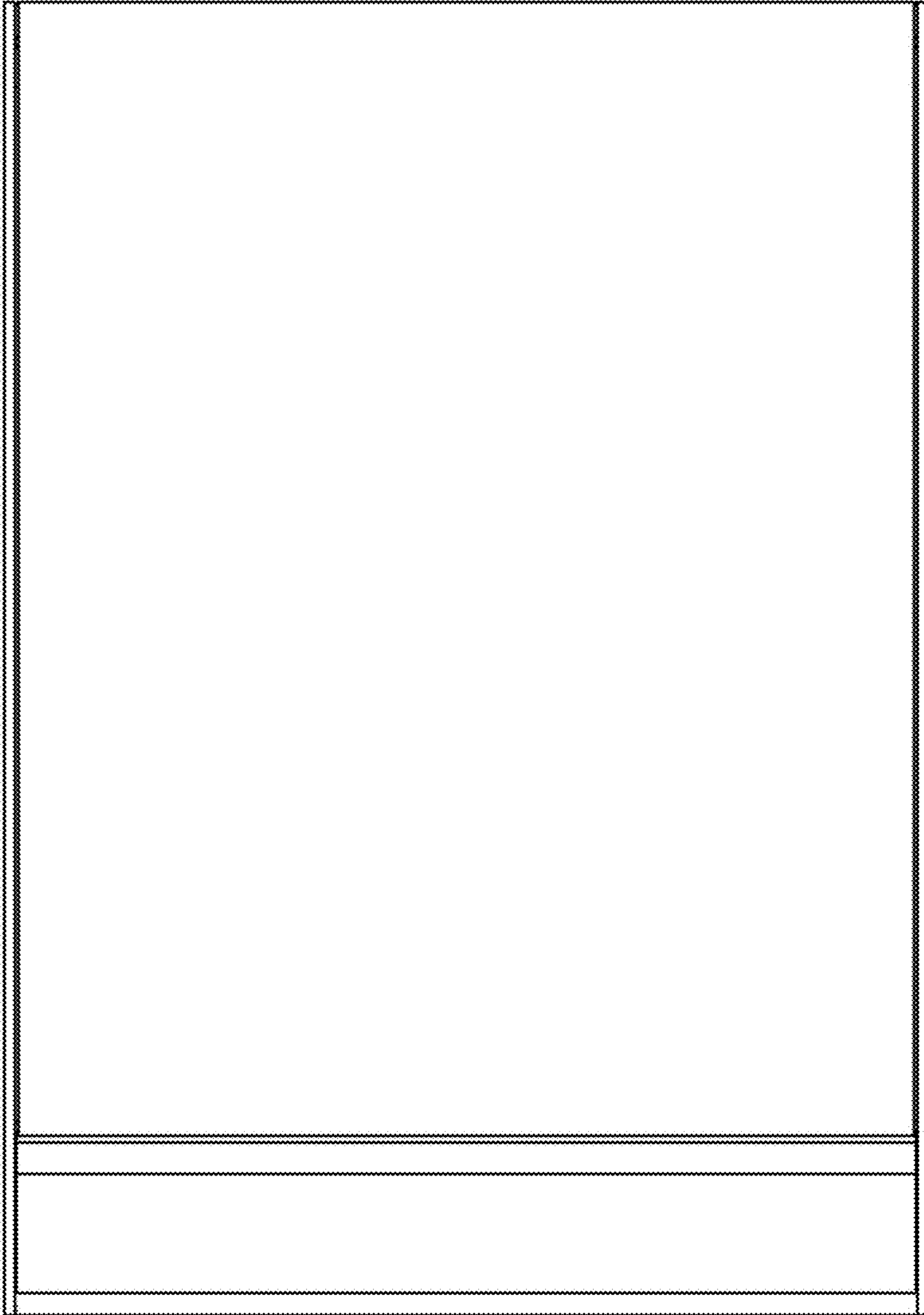
D656,597 S *	3/2012	Liu	D23/356
D662,576 S *	6/2012	Shore	D23/364
D664,247 S *	7/2012	Paterson	D23/364
D683,439 S *	5/2013	Choi	D23/364
D725,253 S *	3/2015	Choi	D23/359
D737,944 S *	9/2015	Shore	D23/364
D744,077 S *	11/2015	Yasukochi	D23/364
D797,914 S *	9/2017	Nygren	D23/364
D803,369 S *	11/2017	Kim	D23/364
D806,844 S *	1/2018	Kim	D23/364
D806,845 S *	1/2018	Kim	D23/364
D807,998 S *	1/2018	Kim	D23/364
D820,422 S *	6/2018	Kim	D23/364
D821,556 S *	6/2018	Shore	D23/364

* cited by examiner

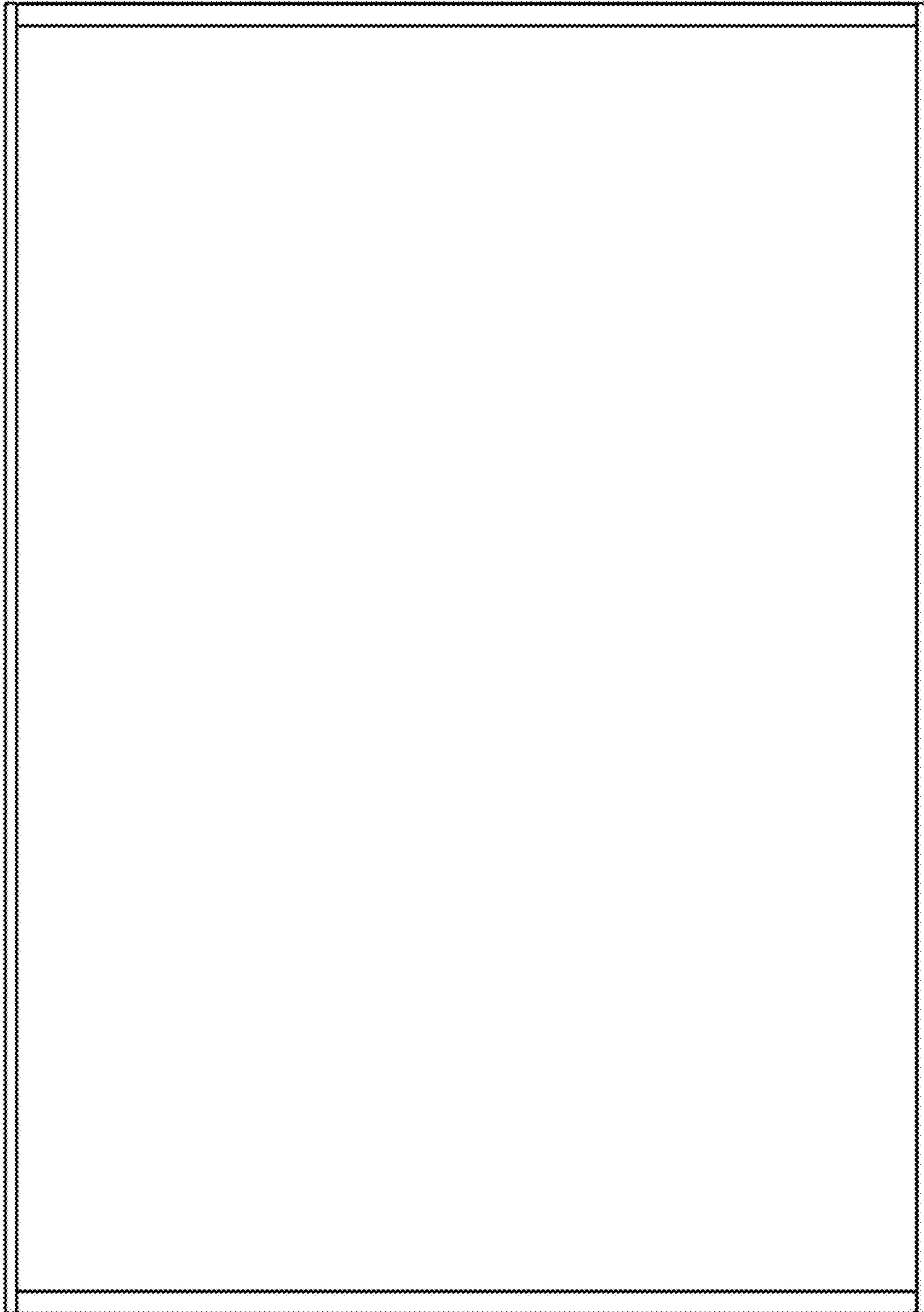
1.1



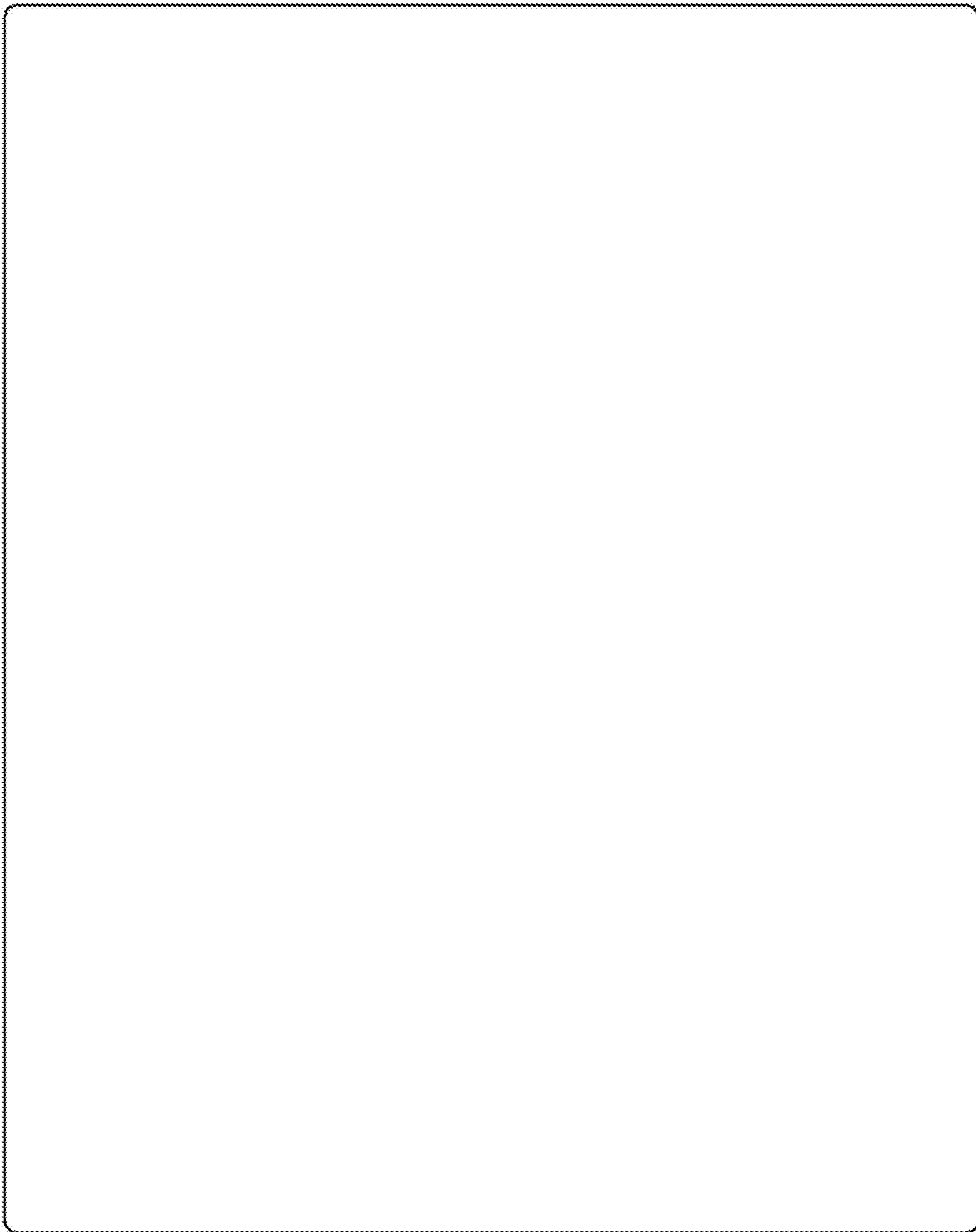
1.2



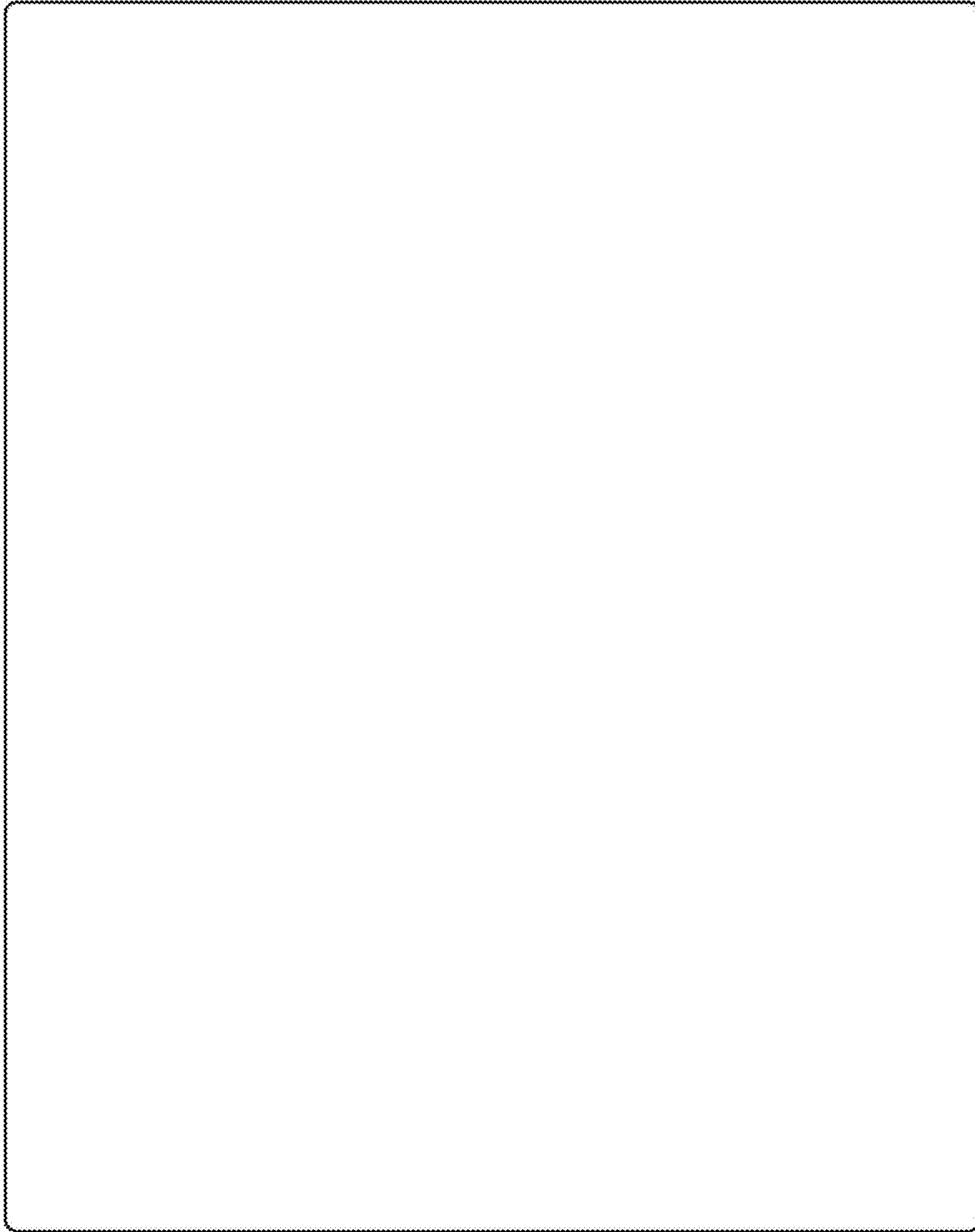
1.3



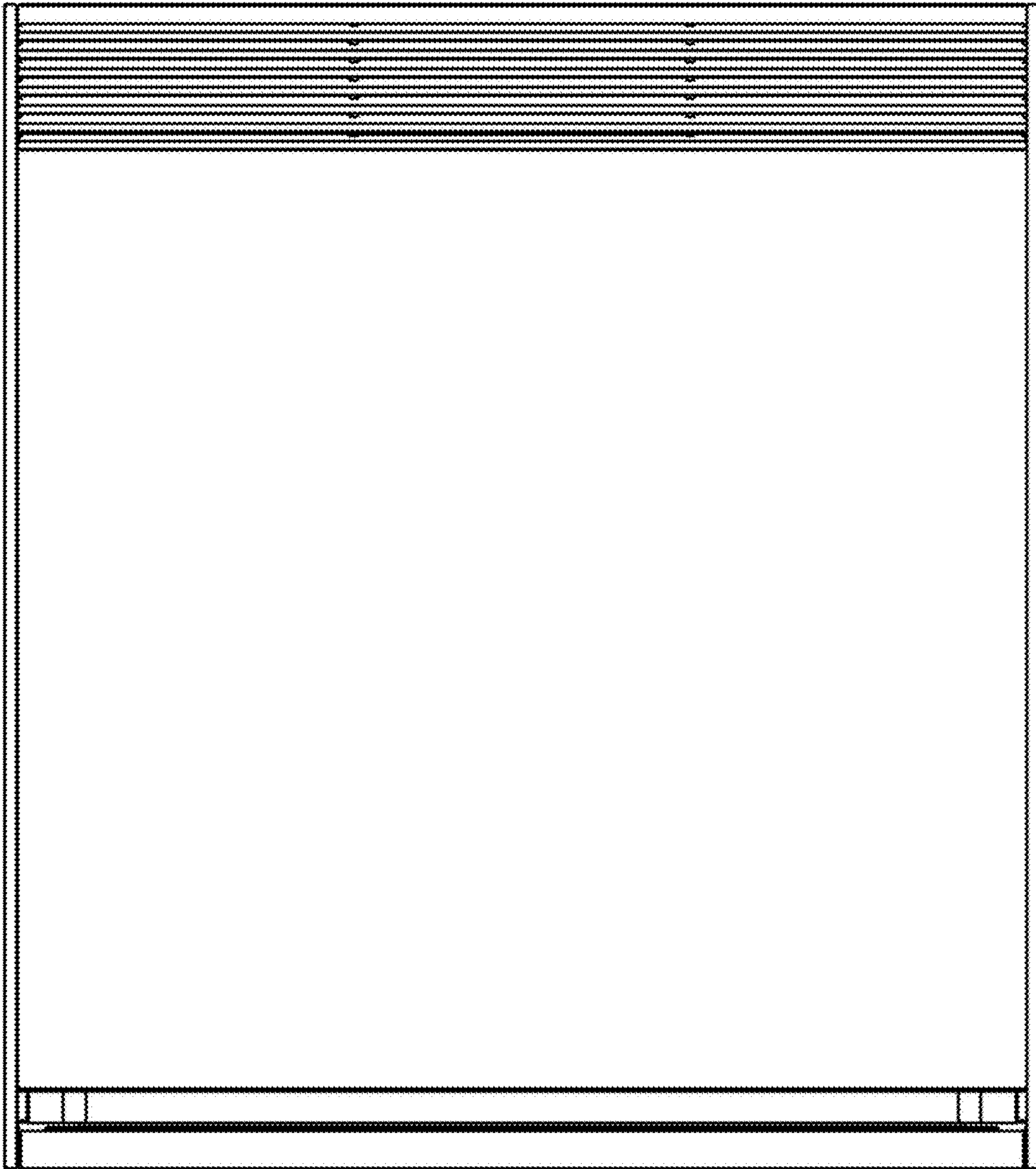
1.4



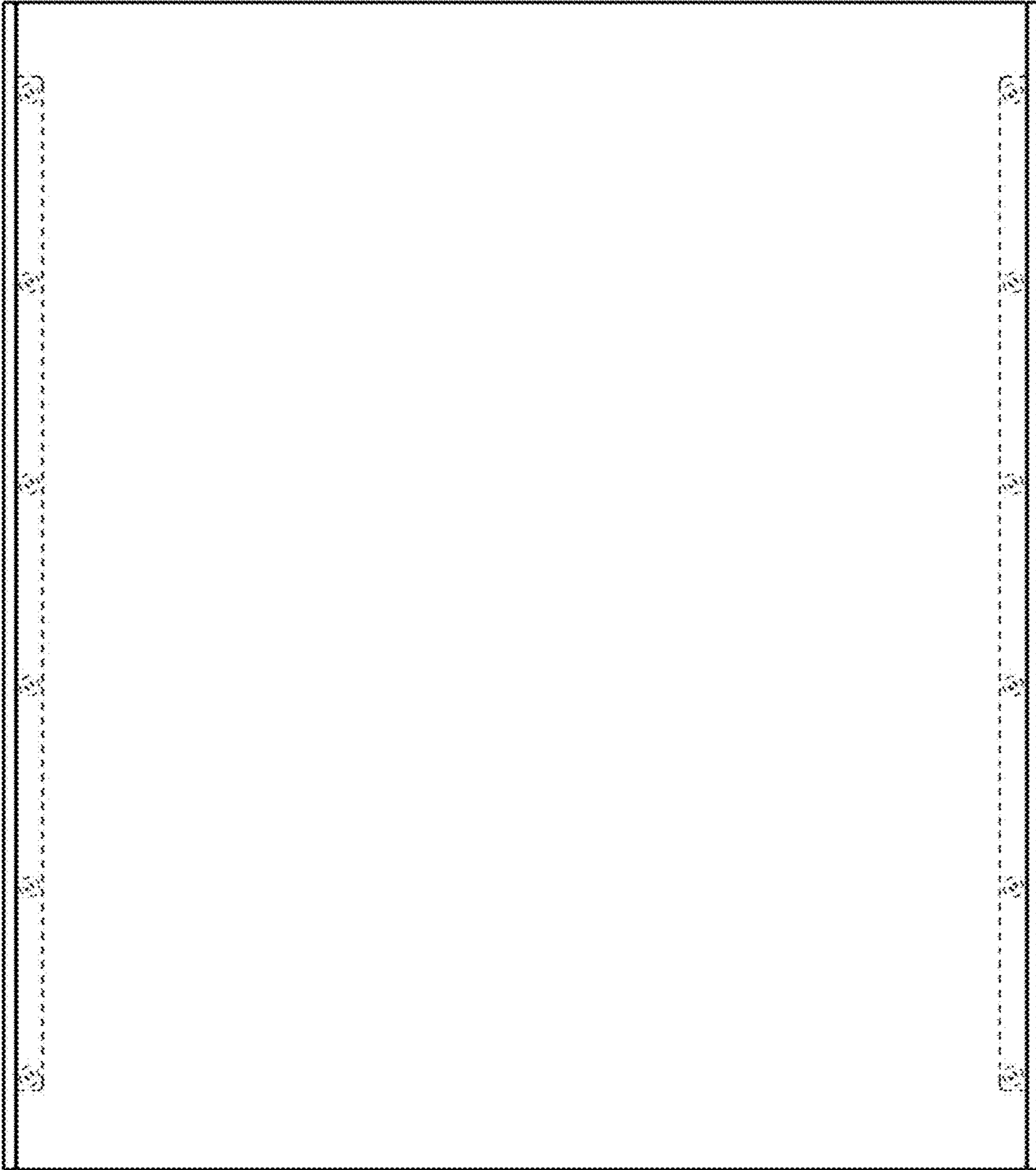
1.5



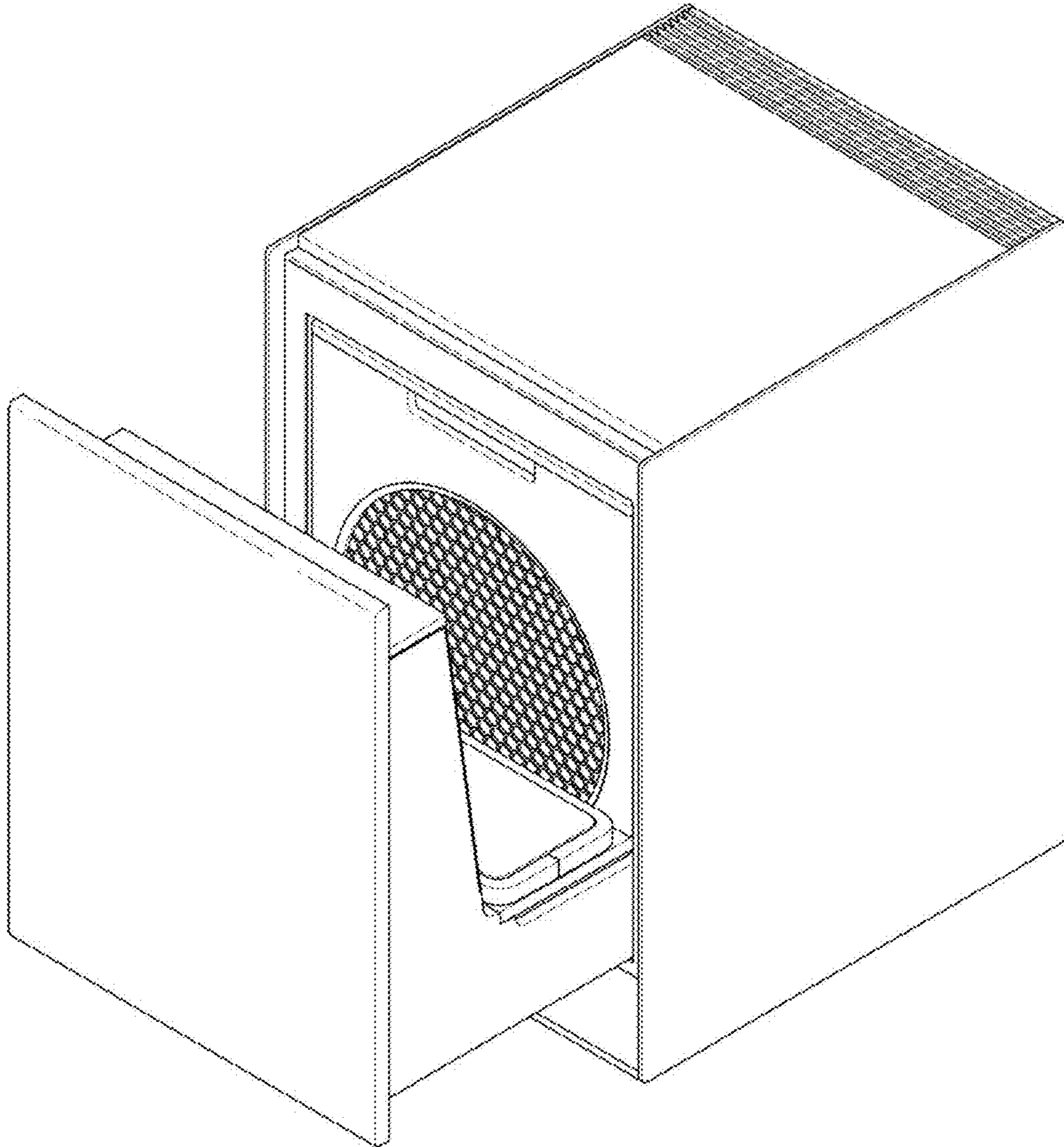
1.6



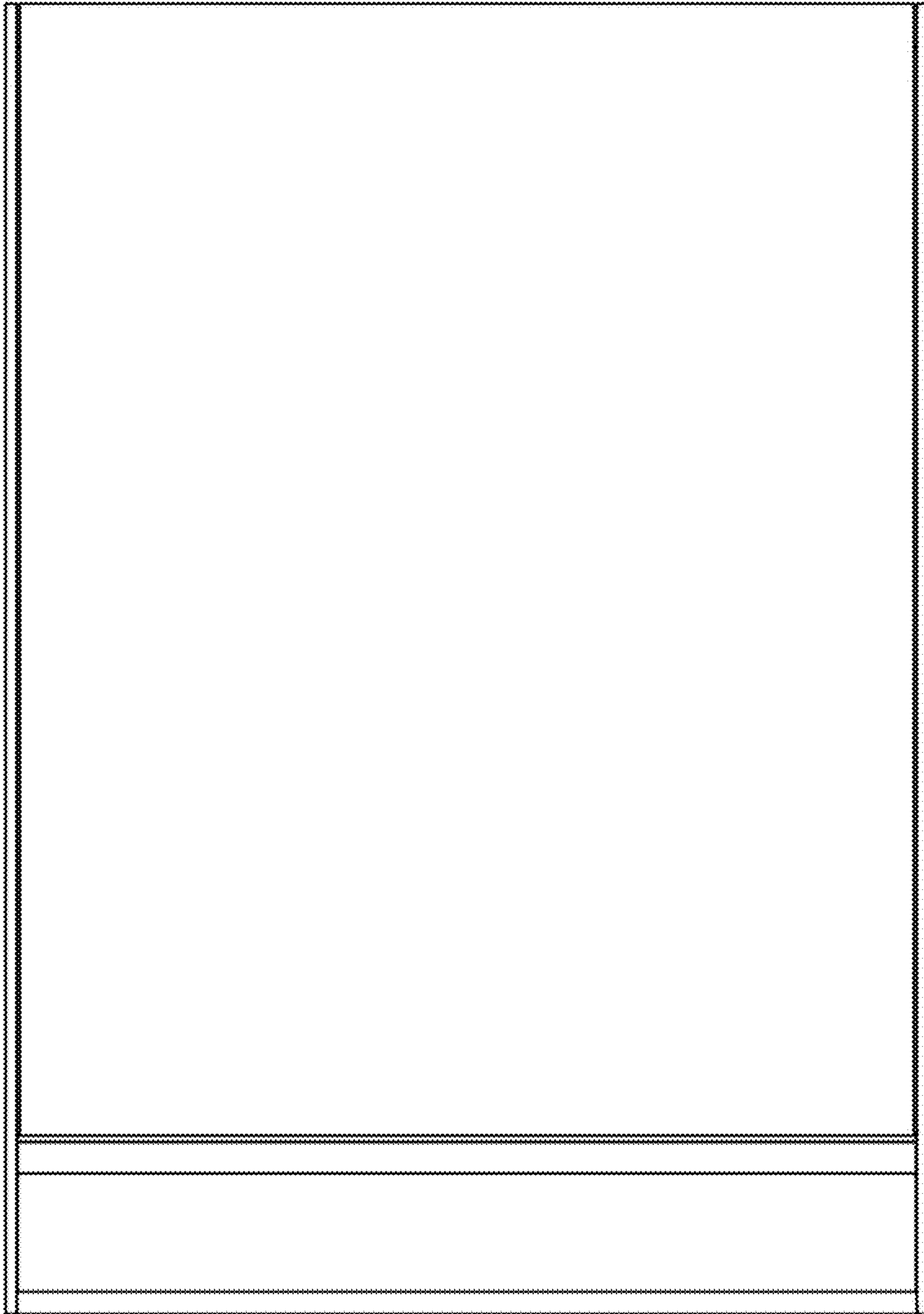
1.7



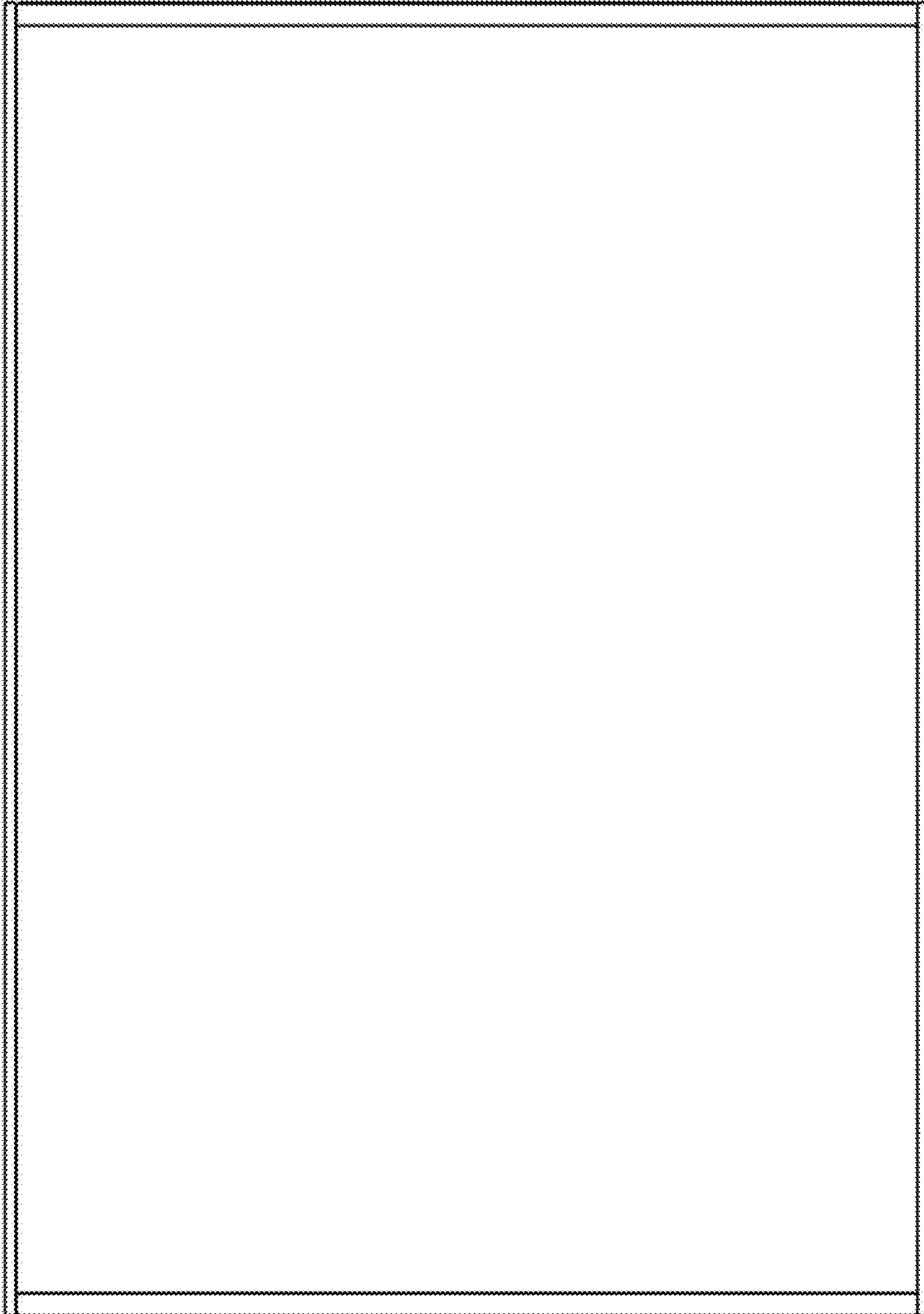
1.8



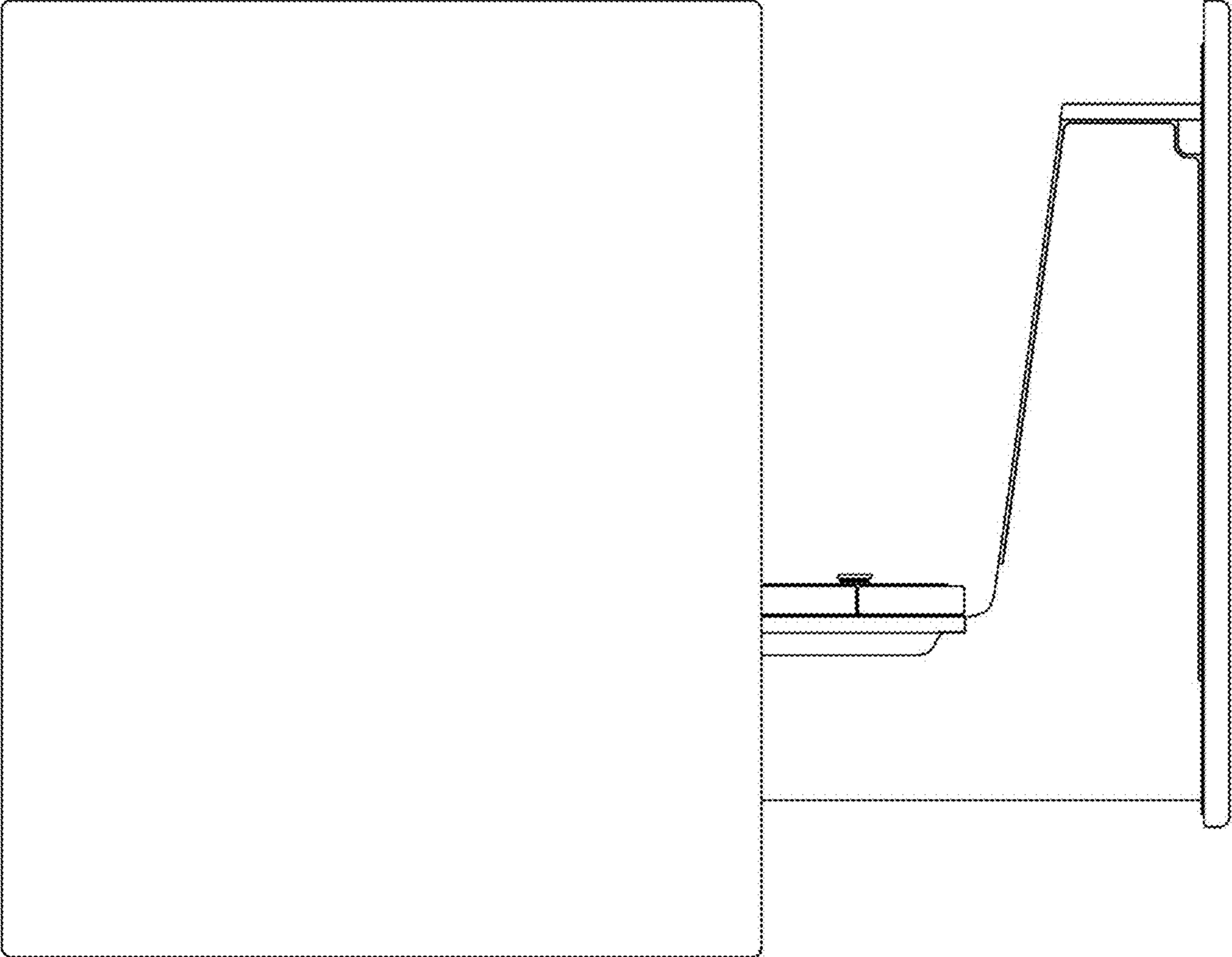
1.9



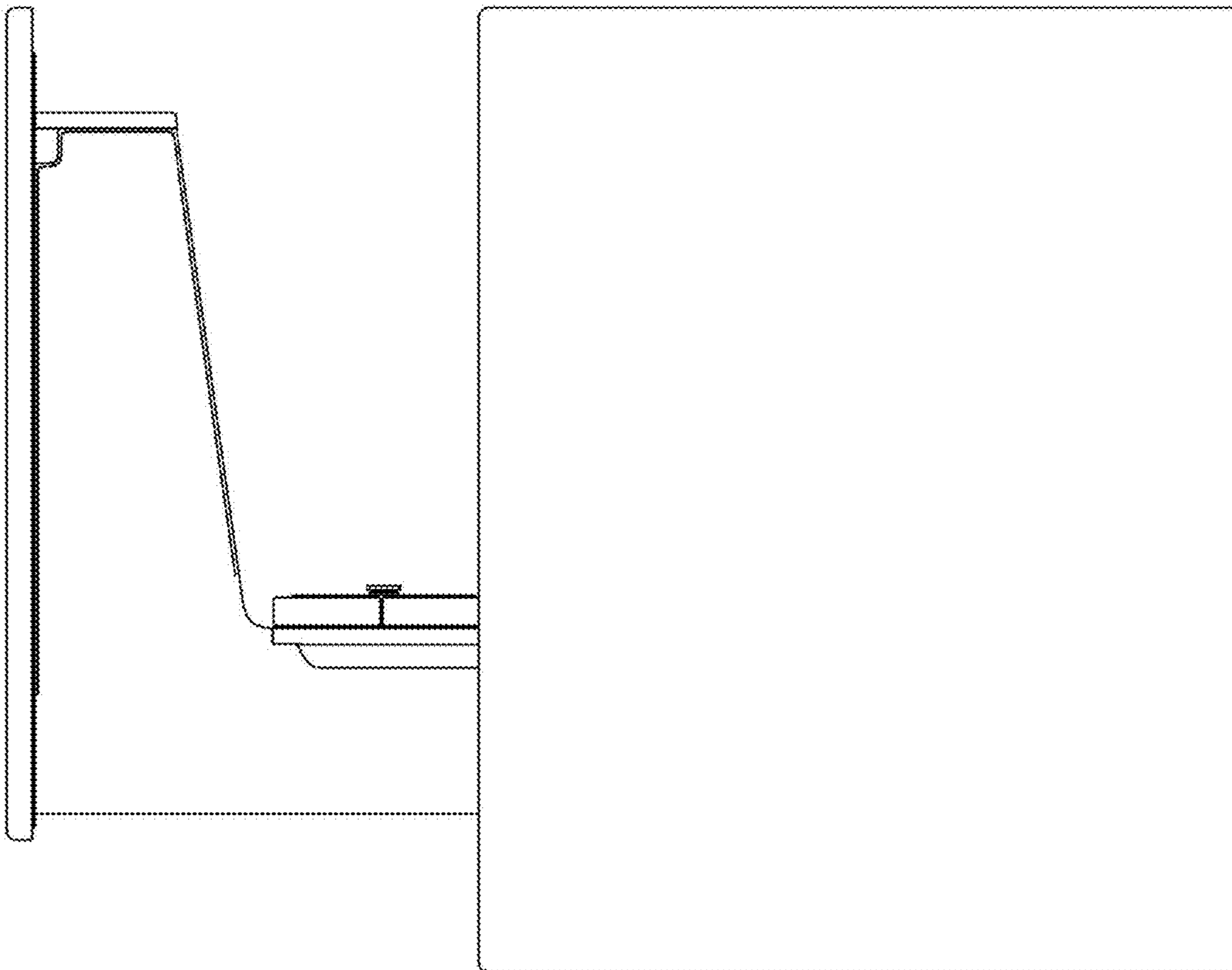
1.10



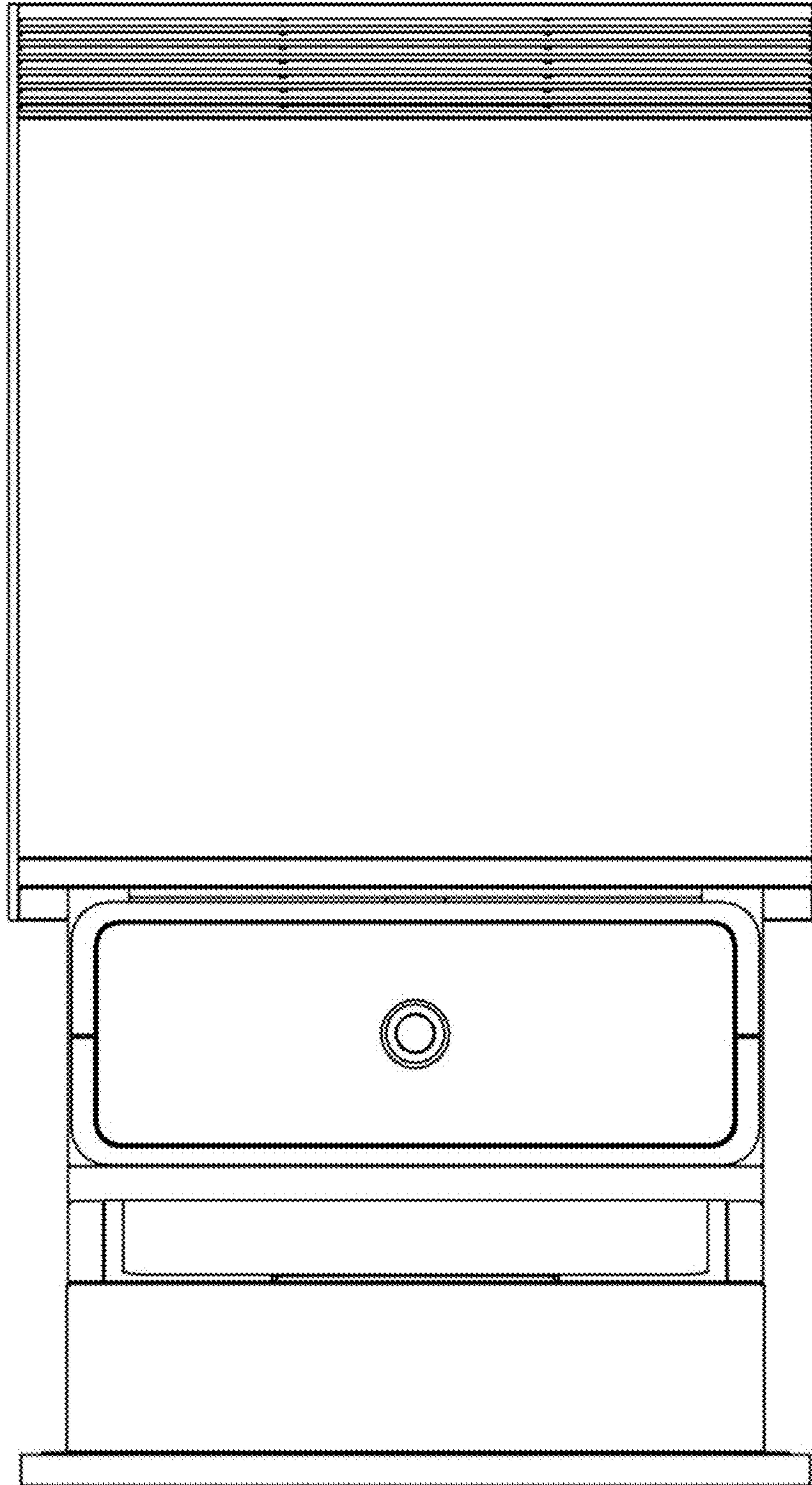
1.11



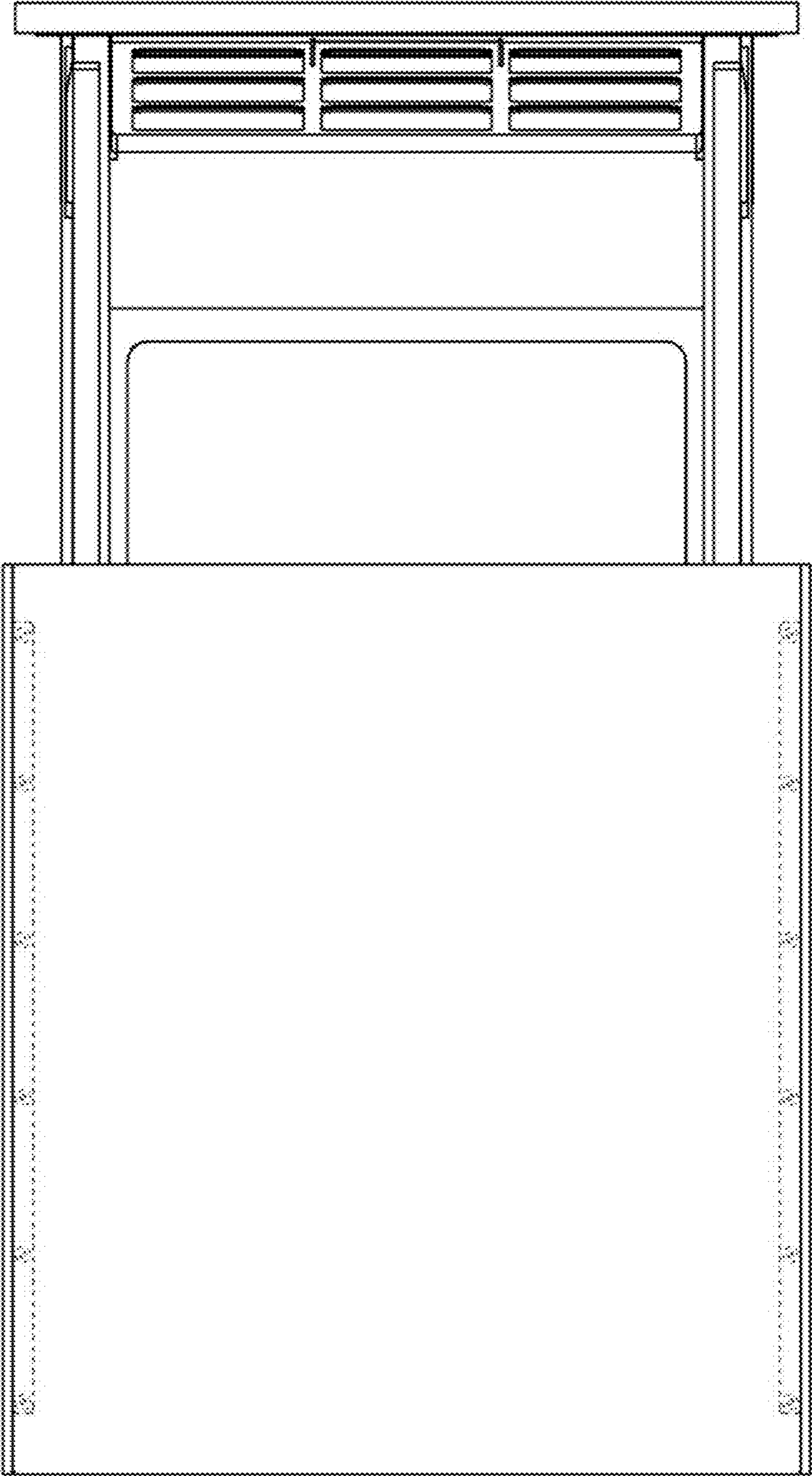
1.12



1.13



1.14



1.15

