



US00D855166S

(12) **United States Design Patent** (10) **Patent No.:** **US D855,166 S**
Bae et al. (45) **Date of Patent:** **** Jul. 30, 2019**

(54) **AIR CONDITIONER**

Primary Examiner — Khawaja Anwar

(71) Applicant: **LG ELECTRONICS INC.**, Seoul (KR)

(74) *Attorney, Agent, or Firm* — Birch, Stewart, Kolasch & Birch, LLP

(72) Inventors: **Sehwan Bae**, Seoul (KR); **Ilseop So**, Seoul (KR); **Kyunam Lee**, Seoul (KR); **Sangyoon Lee**, Seoul (KR); **Hyesun Lee**, Seoul (KR); **Hosik Jang**, Seoul (KR)

(57) **CLAIM**

The ornamental design for an air conditioner, as shown and described.

(73) Assignee: **LG ELECTRONICS INC.**, Seoul (KR)

DESCRIPTION

(**) Term: **15 Years**

- 1. Air conditioner
- 1.1 : Perspective
- 1.2 : Front
- 1.3 : Back
- 1.4 : Left
- 1.5 : Right
- 1.6 : Top
- 1.7 : Bottom
- 1.8 : Reference view
- 1.9 : Perspective view 2
- 1.10 : Front view 2
- 1.11 : Back view 2
- 1.12 : Left view 2
- 1.13 : Right view 2
- 1.14 : Top view 2
- 1.15 : Bottom view 2
- 1.16 : Perspective view 3
- 1.17 : Front view 3
- 1.18 : Back view 3
- 1.19 : Left view 3
- 1.20 : Right view 3
- 1.21 : Top view 3
- 1.22 : Bottom view 3
- 1.23 : Perspective view 4

(21) Appl. No.: **35/505,218**

(22) Filed: **Dec. 28, 2017**

(80) **Hague Agreement Data**

Int. Filing Date: **Dec. 28, 2017**

Int. Reg. No.: **DM/099406**

Int. Reg. Date: **Dec. 28, 2017**

Int. Reg. Pub. Date: **Jun. 29, 2018**

(30) **Foreign Application Priority Data**

Jun. 29, 2017 (KR) 30-2017-0029998

(51) **LOC (11) Cl.** **23-04**

(52) **U.S. Cl.**
USPC **D23/351**

(58) **Field of Classification Search**
USPC D23/333, 335, 341, 342, 351, 353, 354,
D23/355, 356, 359, 364, 365, 370, 385,
D23/386, 388, 393

(Continued)

(56) **References Cited**

U.S. PATENT DOCUMENTS

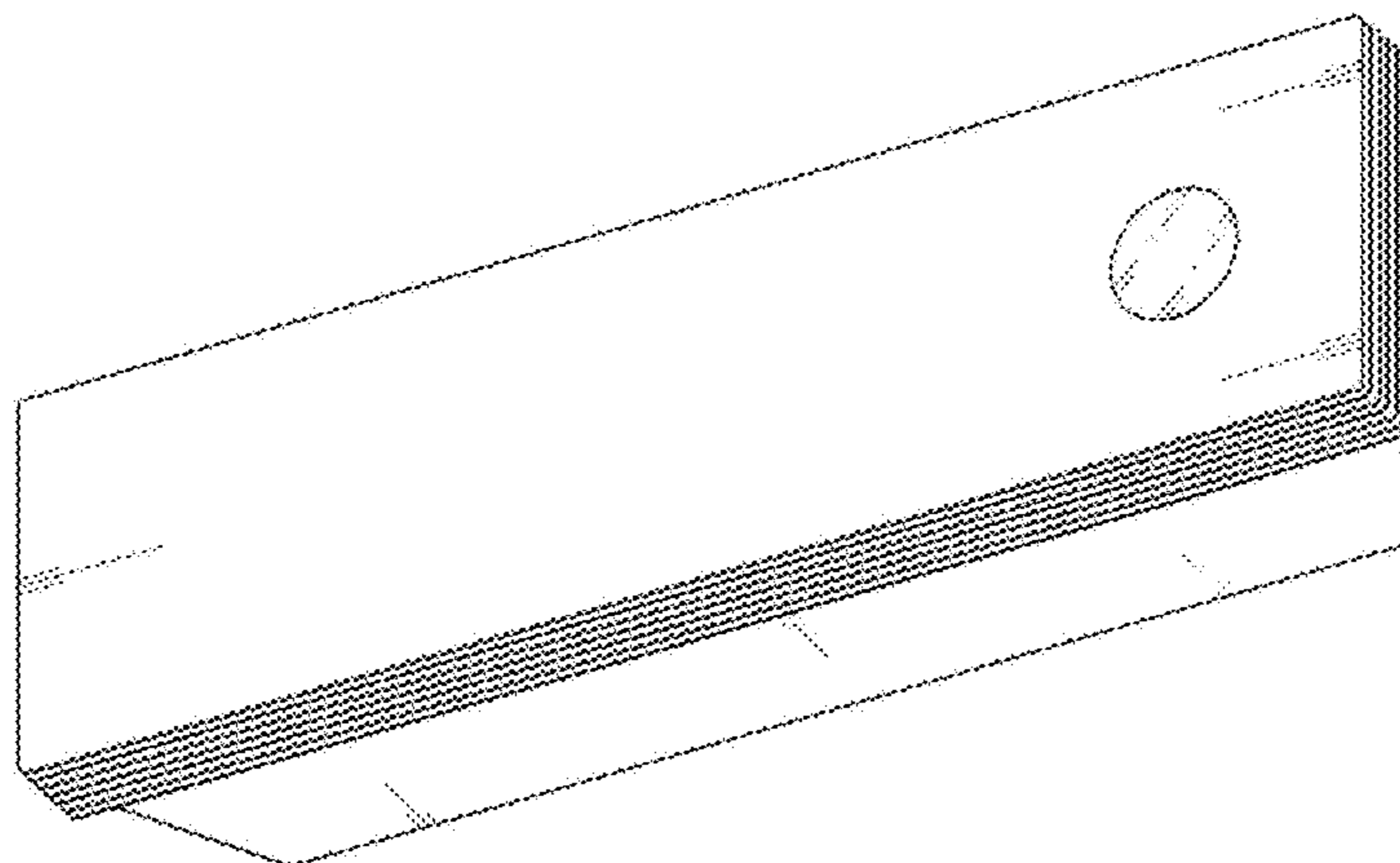
D580,537 S * 11/2008 Niki D23/351

D624,167 S * 9/2010 Mishiro D23/351

(Continued)

The broken lines depict portions of the air conditioner that form no part of the claimed design; reproduction 1.1 is a front perspective view of the air conditioner; reproductions 1.2 to 1.7 are the front, back, left, right, top and bottom views of reproduction 1.1; reproduction 1.8 is a reference view thereof showing the display part in operation and forms no part of the claimed design; reproduction 1.9 is a perspective view thereof in a condition that the most front panel vertically moved upwards; reproductions 1.10 to 1.15 are the front, back, left, right, top and bottom views of reproduction

(Continued)



1.9; reproduction 1.16 is a perspective view of reproduction 1.1 in a condition that the most front panel vertically moved downward and the top filter slid forward; reproduction 1.17 to 1.23 are the front, back, left, right, top, bottom and top perspective views of reproduction 1.16; This design is for a wall-mount air conditioner in which several panels are stacked at the same interval and blows air both from the gap between the front panels without changing the appearance and from the outlet exposed at the bottom in condition that the most front panel vertically moving upwards; also, the most front panel moves vertically downward, and the top filter slides forward, so that it makes easy to replace the filter.

1 Claim, 23 Drawing Sheets

(58) **Field of Classification Search**

CPC .. F24F 11/30; F24F 11/52; F24F 11/46; F24F 11/83; F24F 2110/10; F24F 3/14; F24F 11/0001; F24F 11/54; F24F 11/56; F24F 11/58; F24F 11/62; F24F 11/64; F24F 11/66; F24F 11/70; F24F 11/72; F24F

11/74; F24F 11/76; F24F 11/77; F24F 11/84; F24F 11/85; F24F 11/86; F24F 11/89; F24F 13/20; F24F 13/28; F24F 1/022; F24F 1/38; F24F 2006/008; F24F 2006/046; F24F 2110/00; F24F 2110/40; F24F 2110/50; F24F 2110/64; F24F 2120/10; F24F 2140/12; F24F 2140/40; F24F 2140/50; F24F 2221/54; F24F 3/044; F24F 3/0442; F24F 3/0444; F24F 3/08; F24F 5/00; F24F 5/0003; F24F 6/04; F24F 6/16; F24F 7/007; F24F 7/10

See application file for complete search history.

(56)

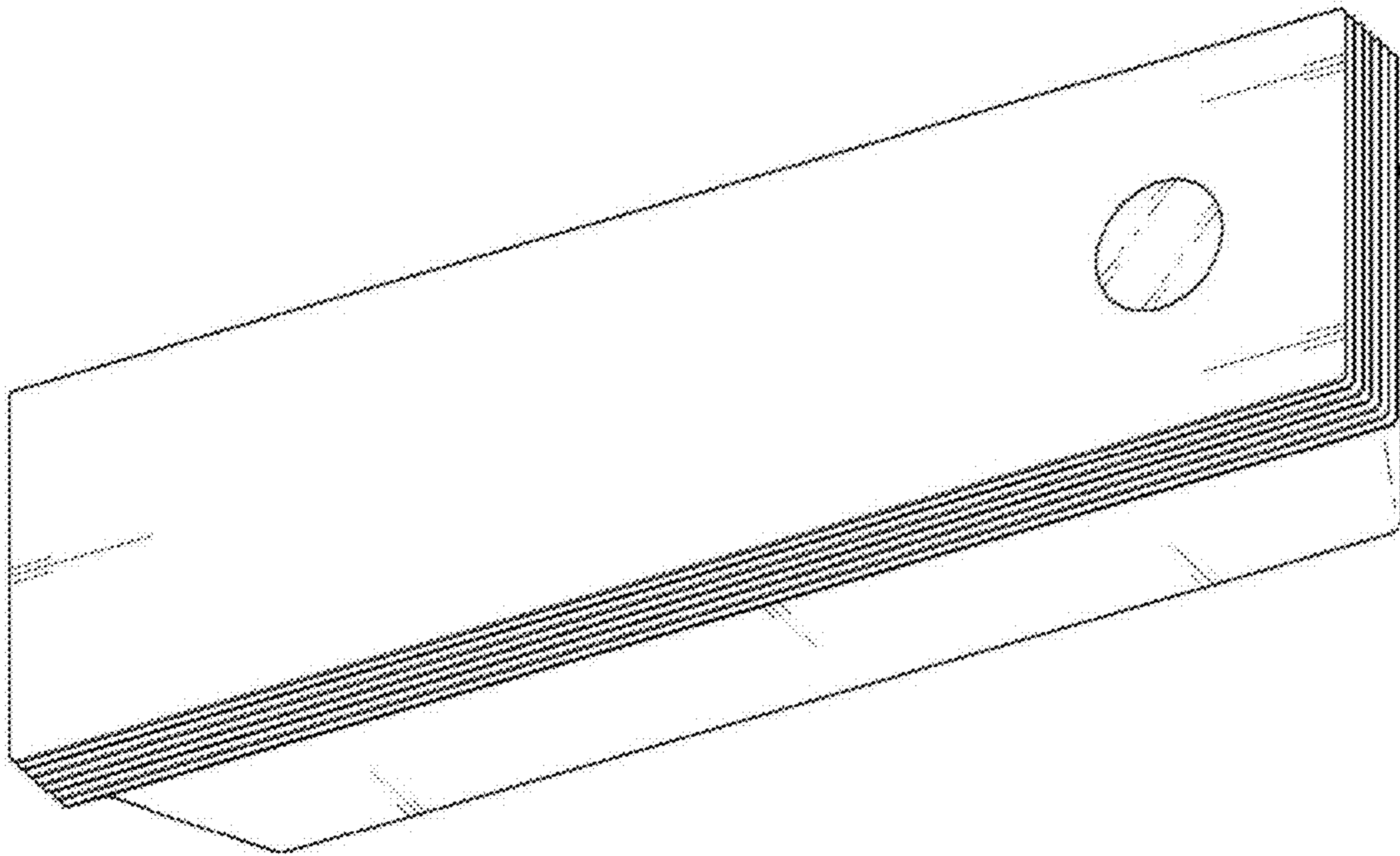
References Cited

U.S. PATENT DOCUMENTS

| | | | | | | |
|----------|---|---|---------|----------|-------|---------|
| D701,295 | S | * | 3/2014 | Chouji | | D23/351 |
| D720,444 | S | * | 12/2014 | Chouji | | D23/351 |
| D720,842 | S | * | 1/2015 | Chouji | | D23/351 |
| D726,295 | S | * | 4/2015 | Kim | | D23/351 |
| D802,108 | S | * | 11/2017 | Birchler | | D23/351 |
| D824,502 | S | * | 7/2018 | Kudo | | D23/351 |
| D827,798 | S | * | 9/2018 | Guan | | D23/351 |

* cited by examiner

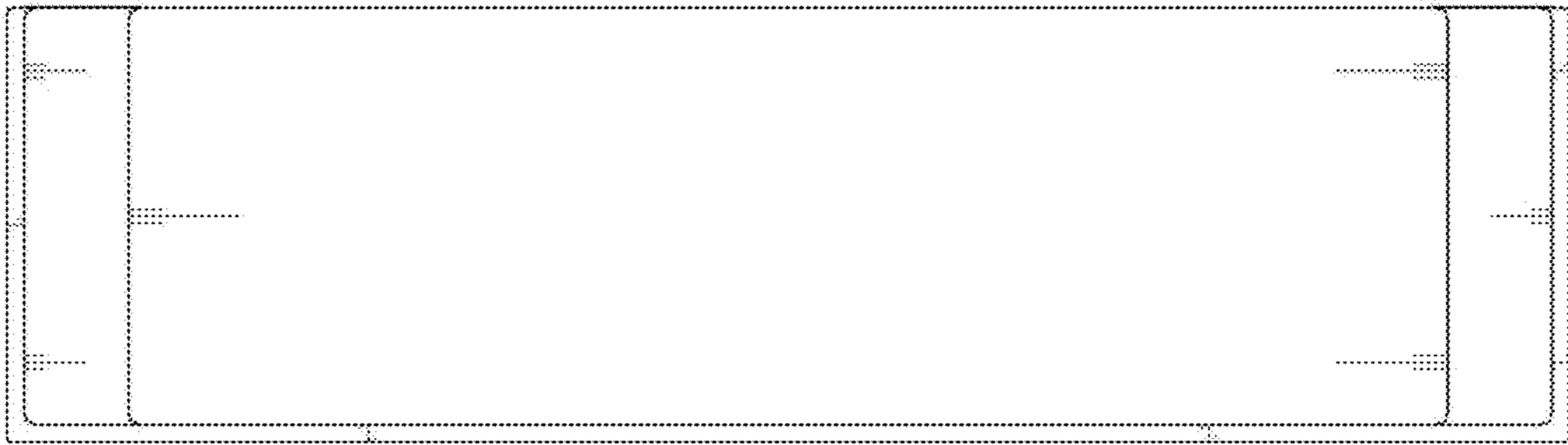
1.1



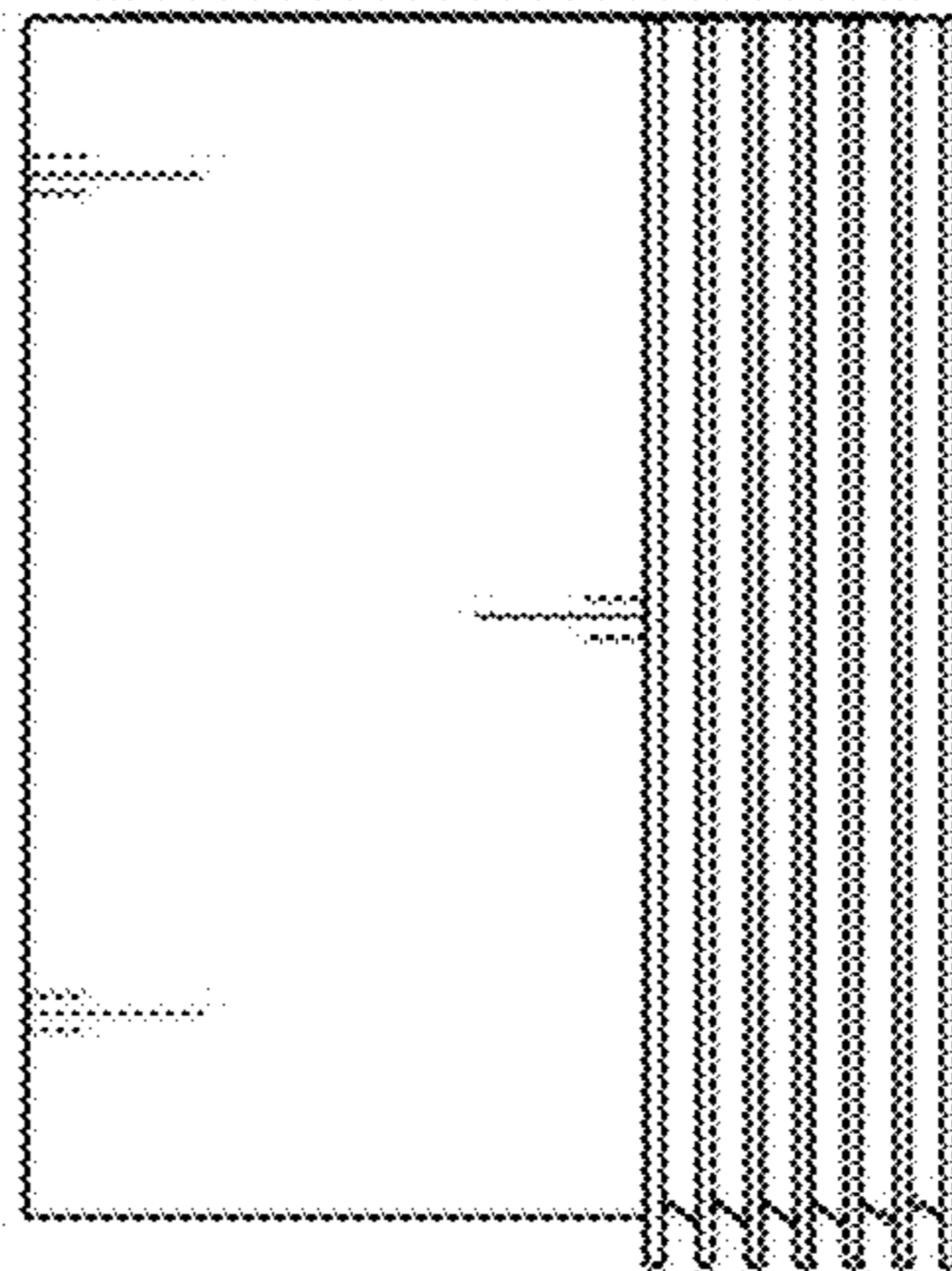
1.2



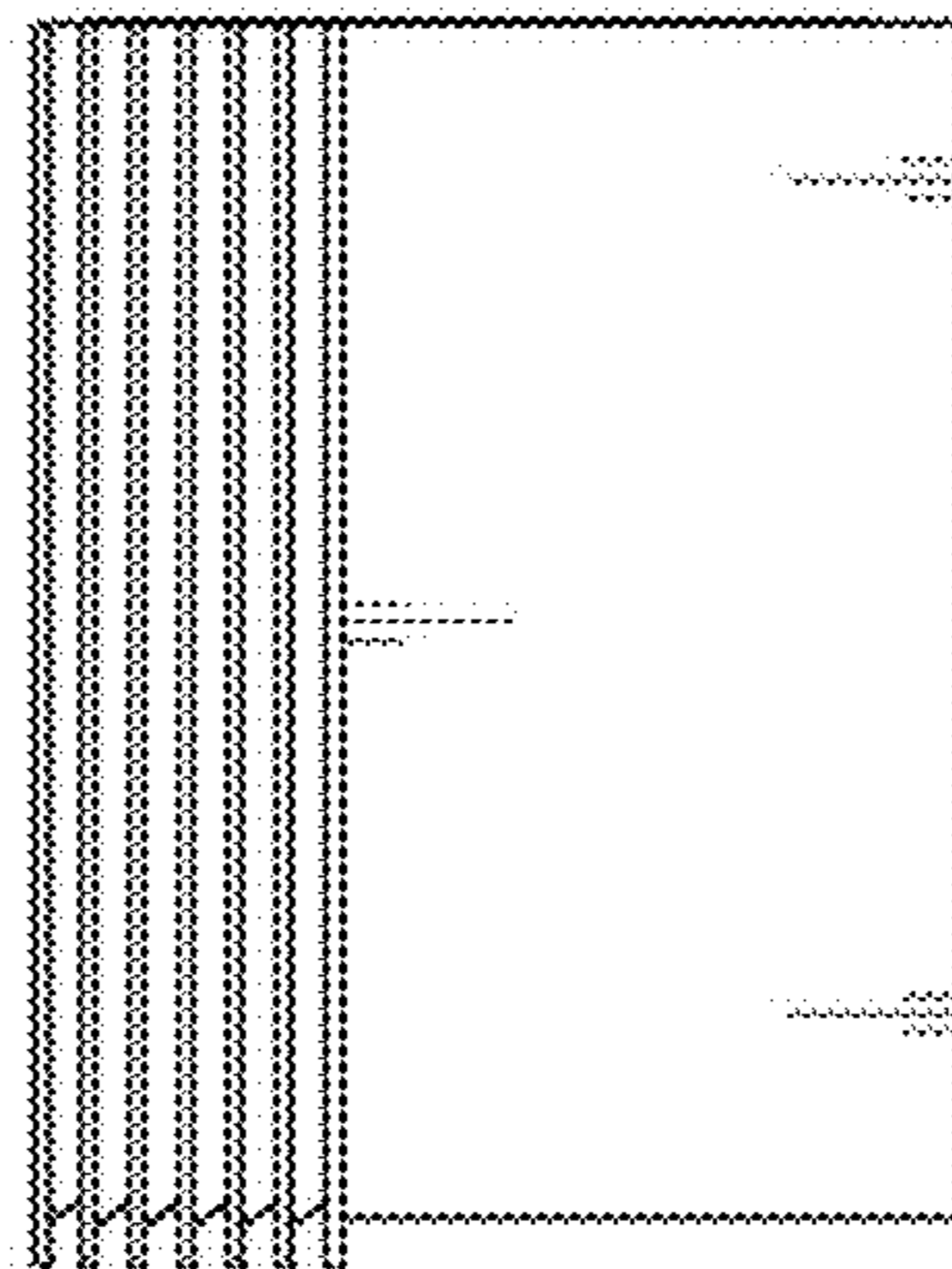
1.3



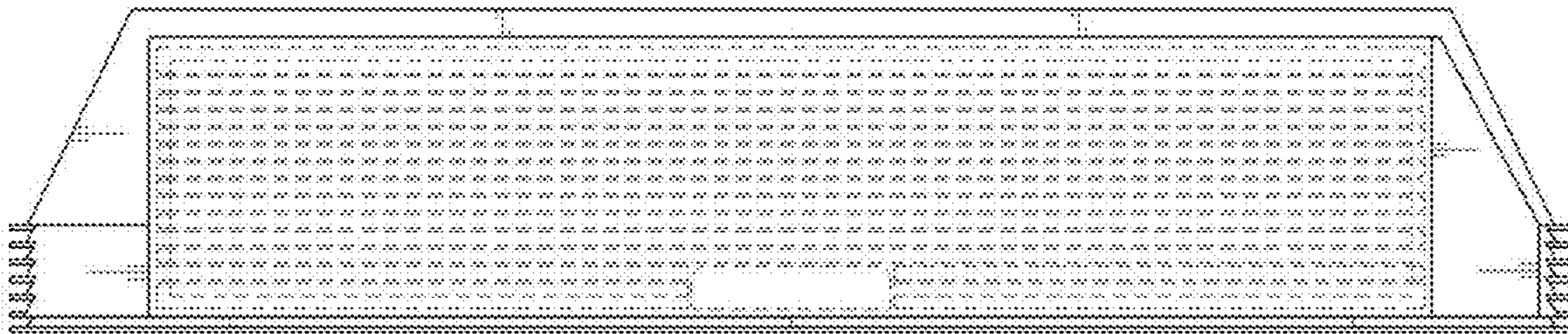
1.4



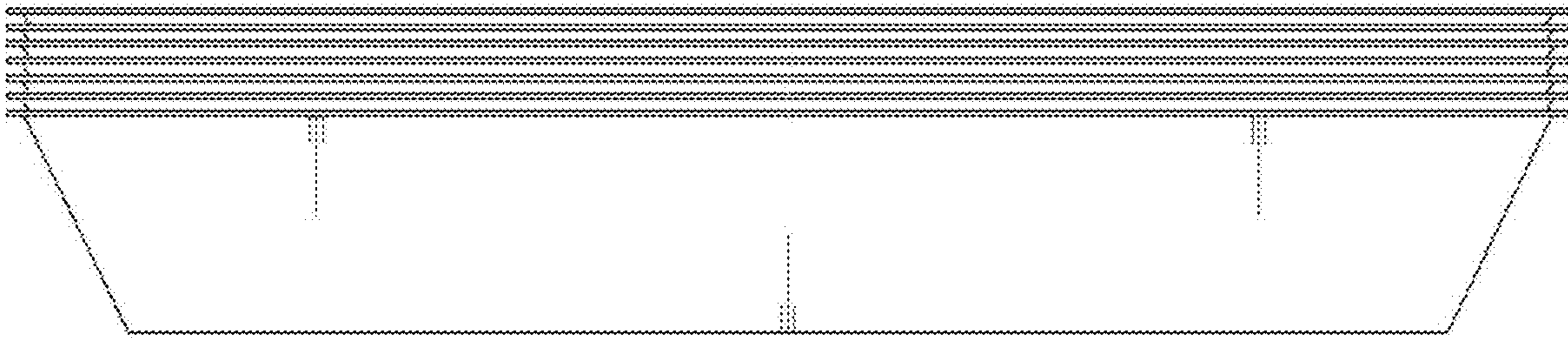
1.5



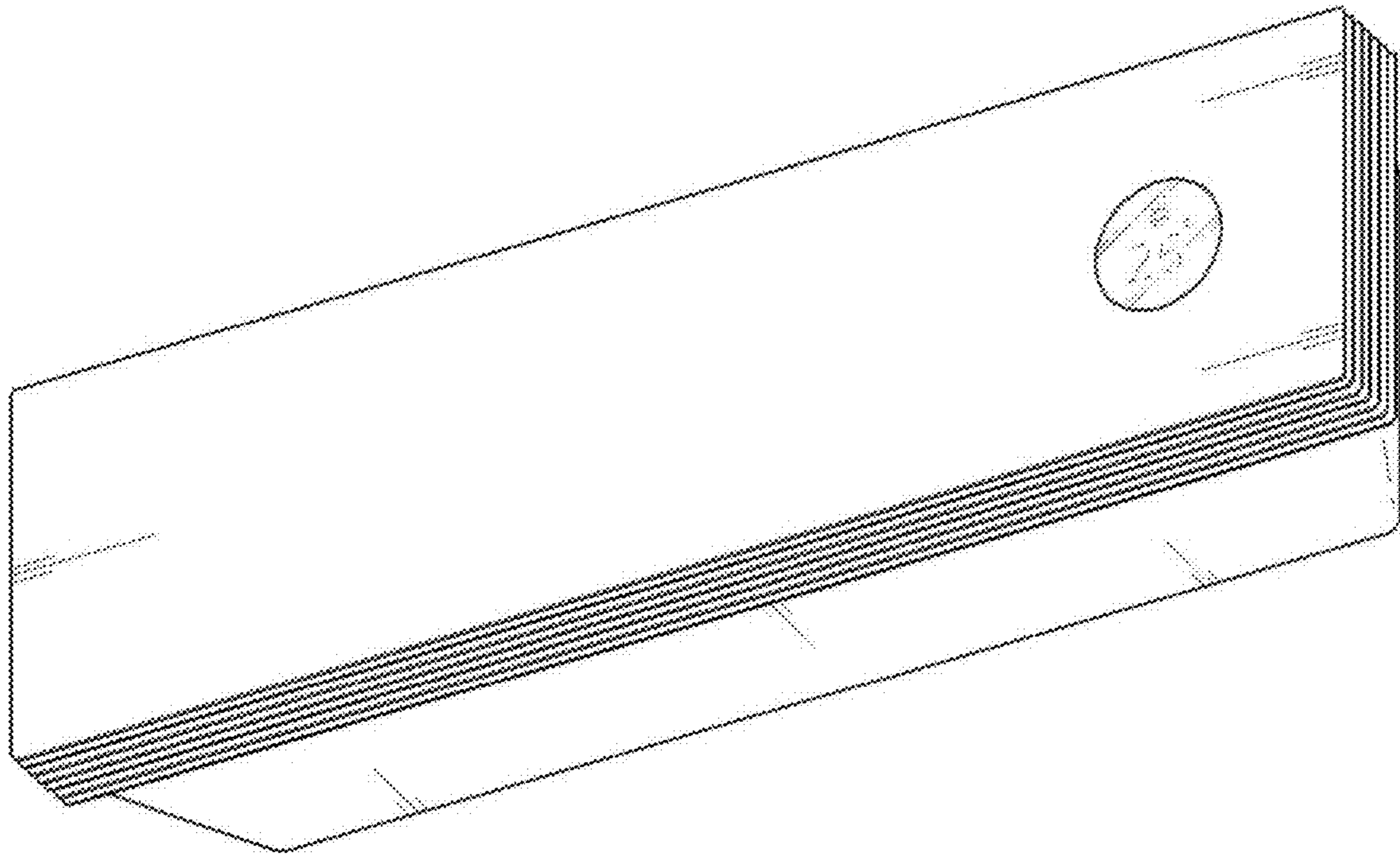
1.6



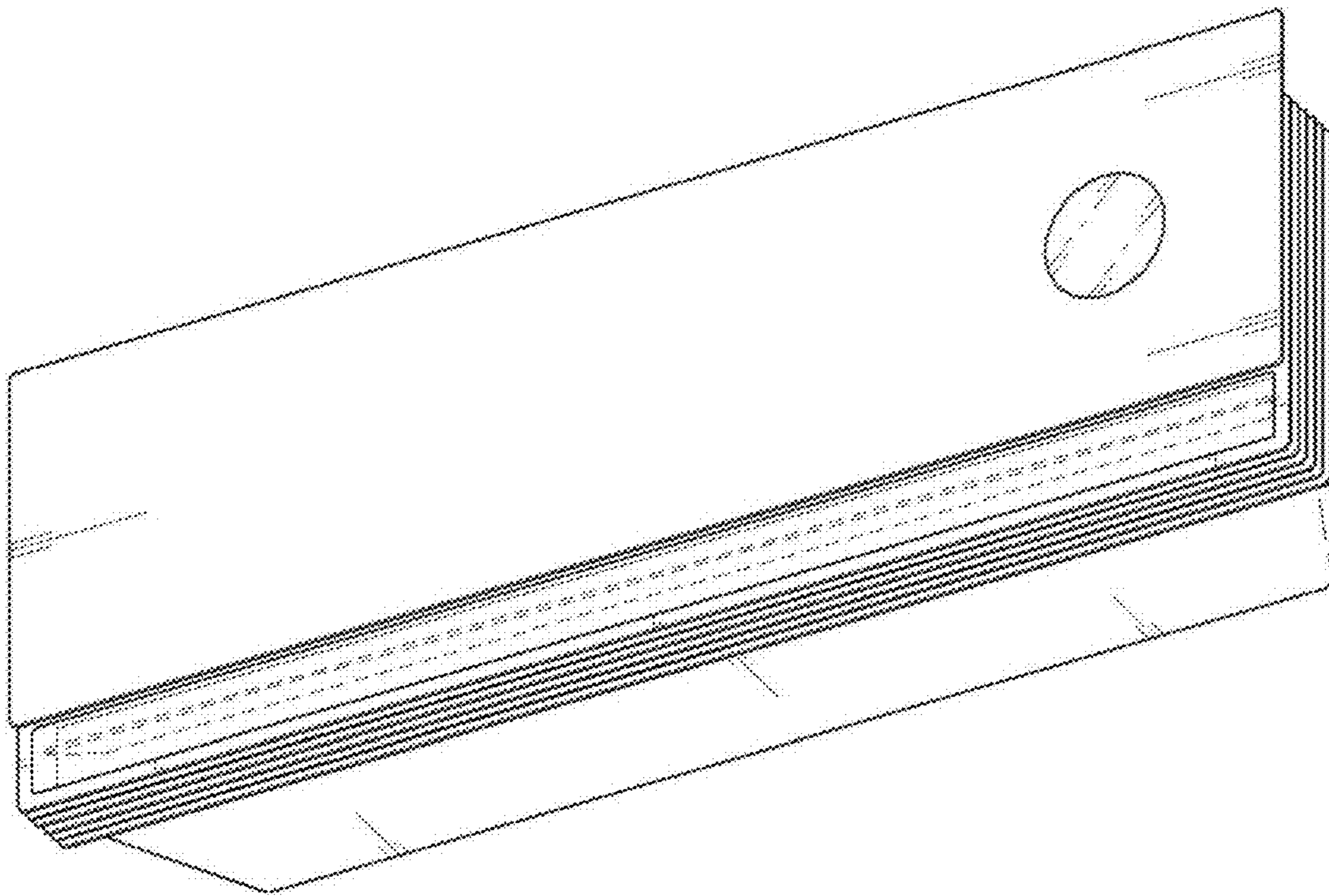
1.7



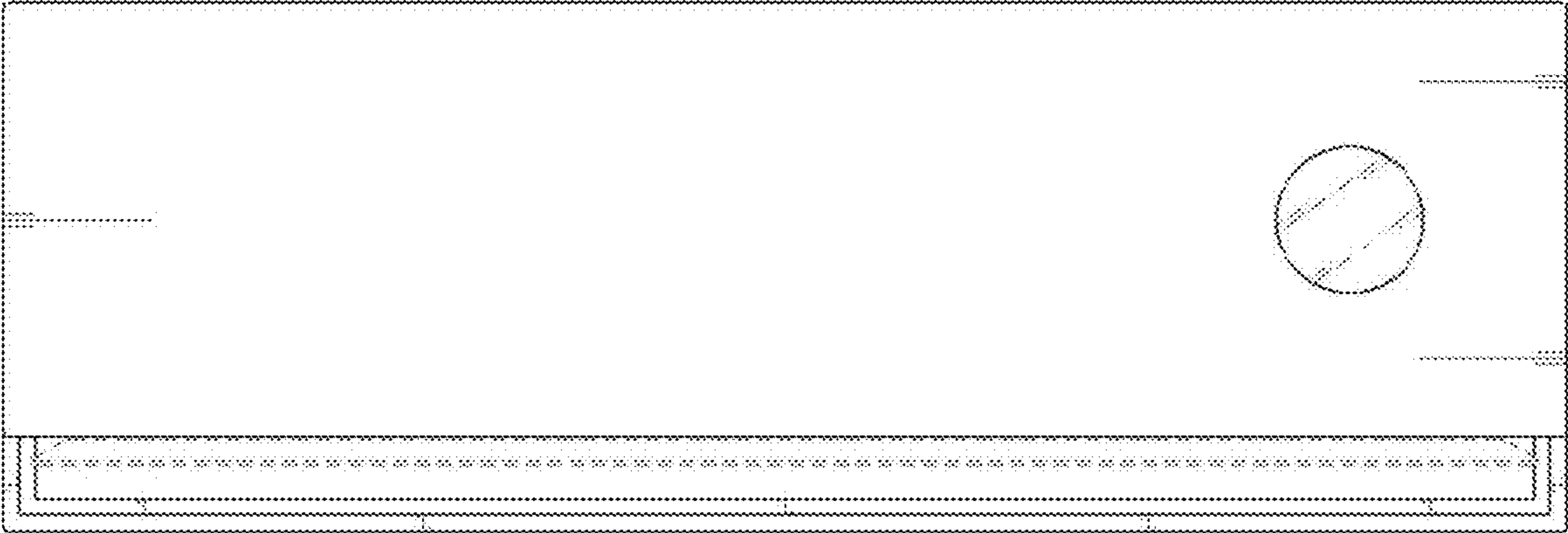
1.8



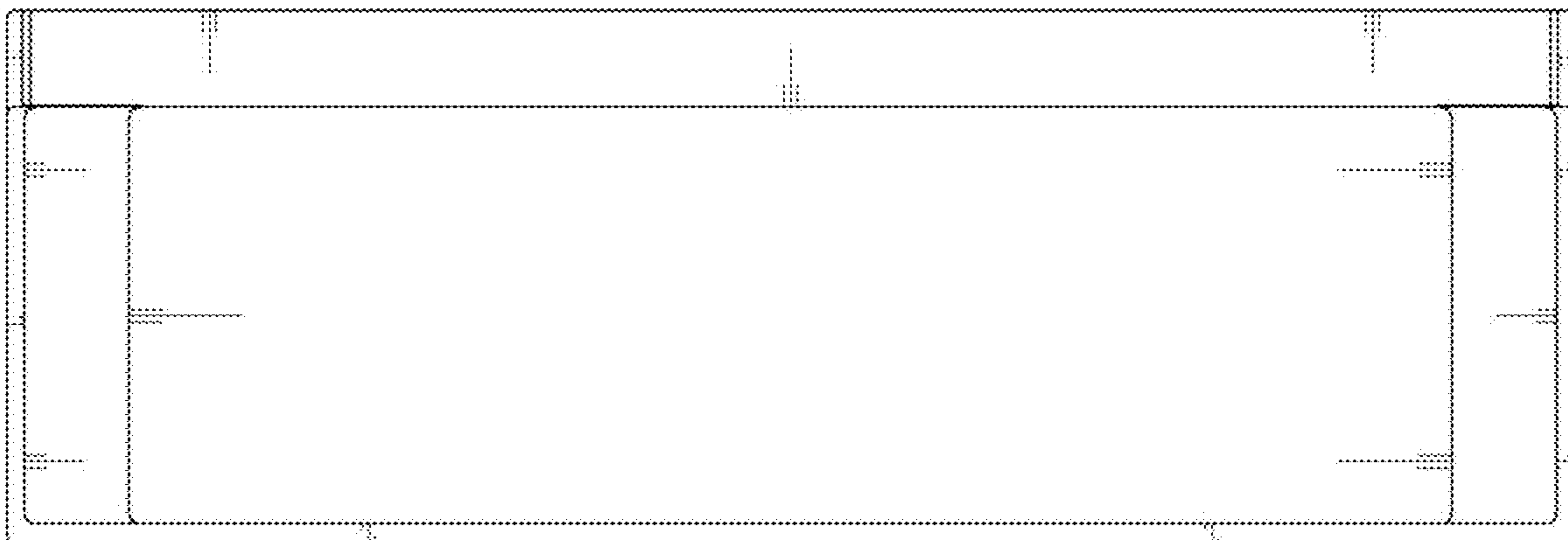
1.9



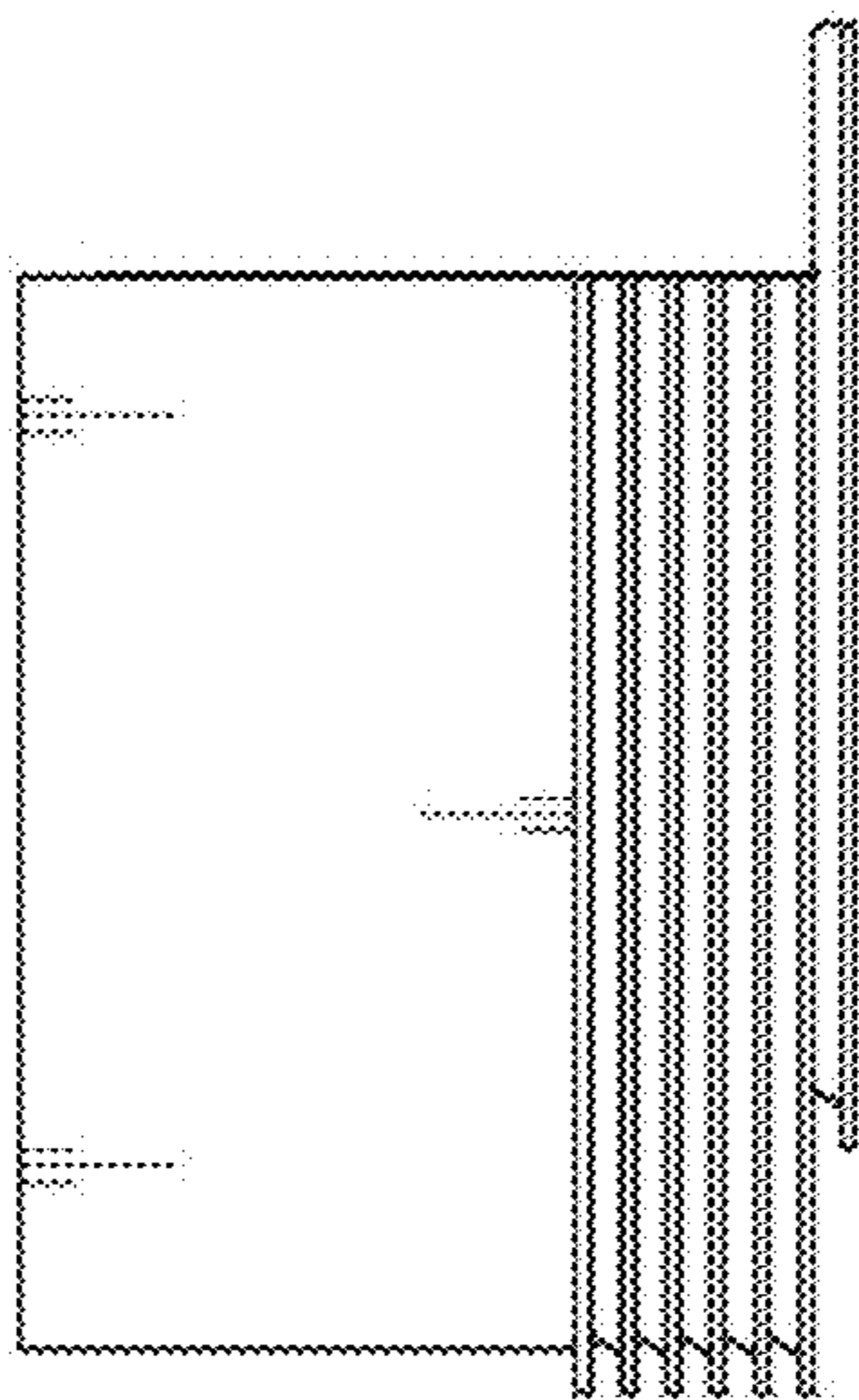
1.10



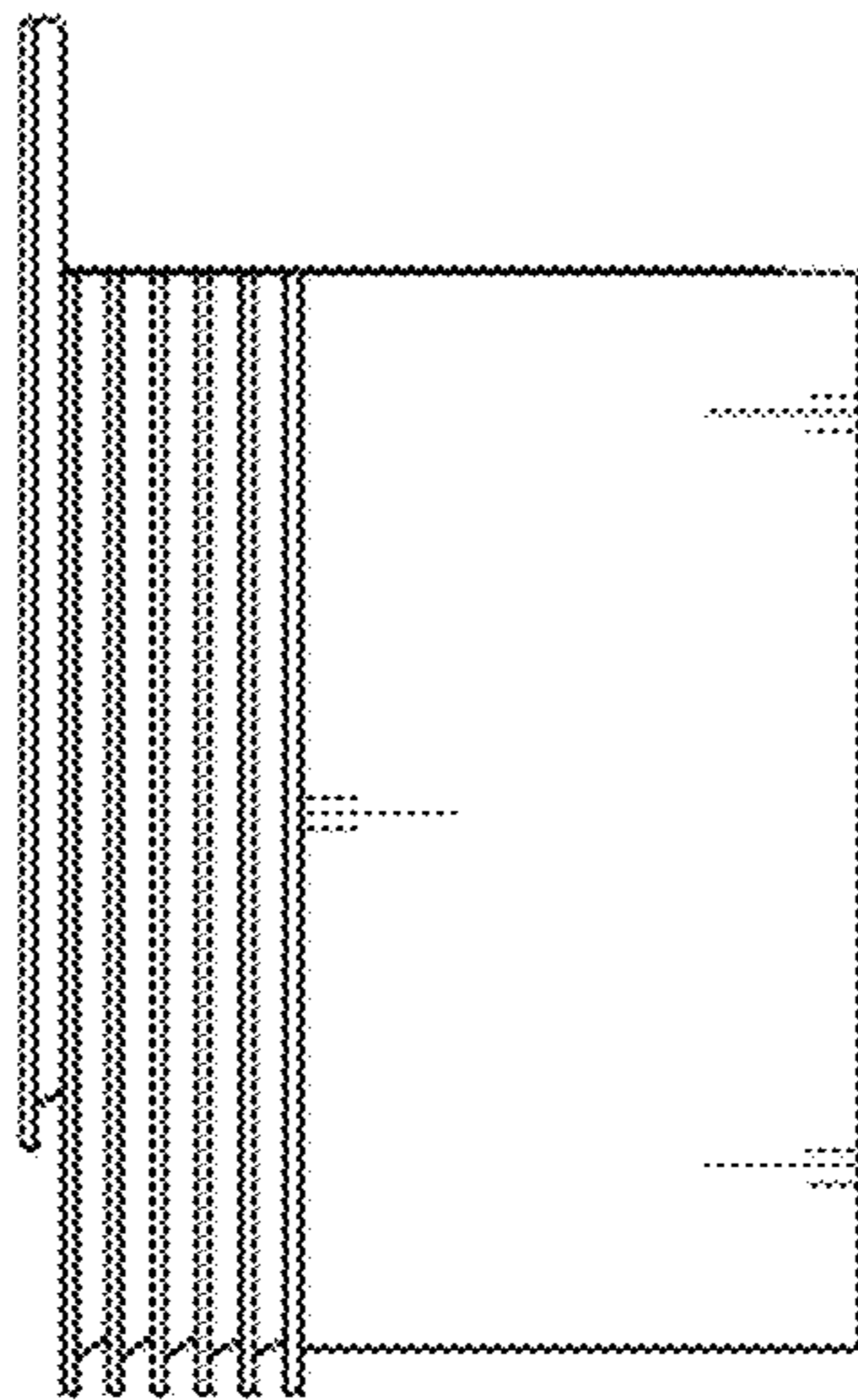
1.11



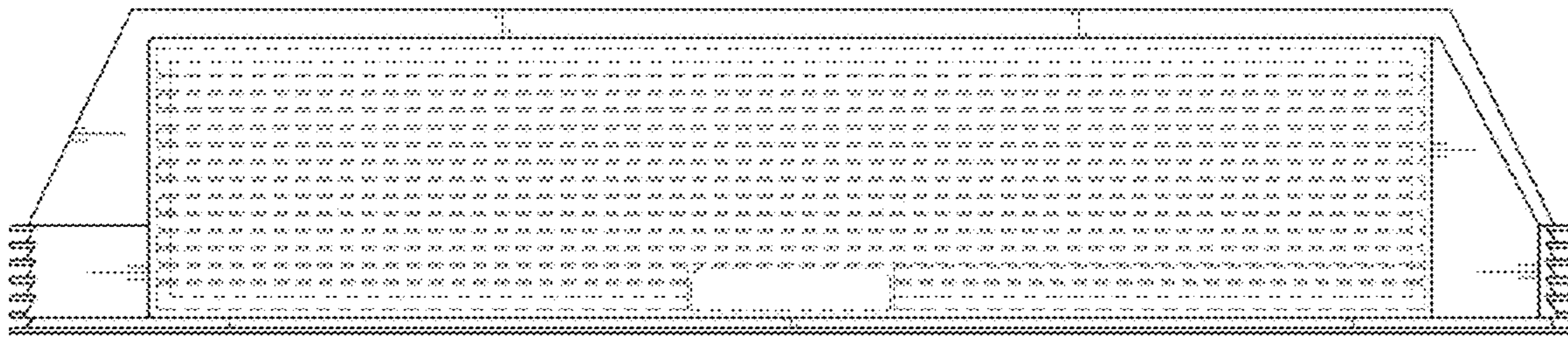
1.12



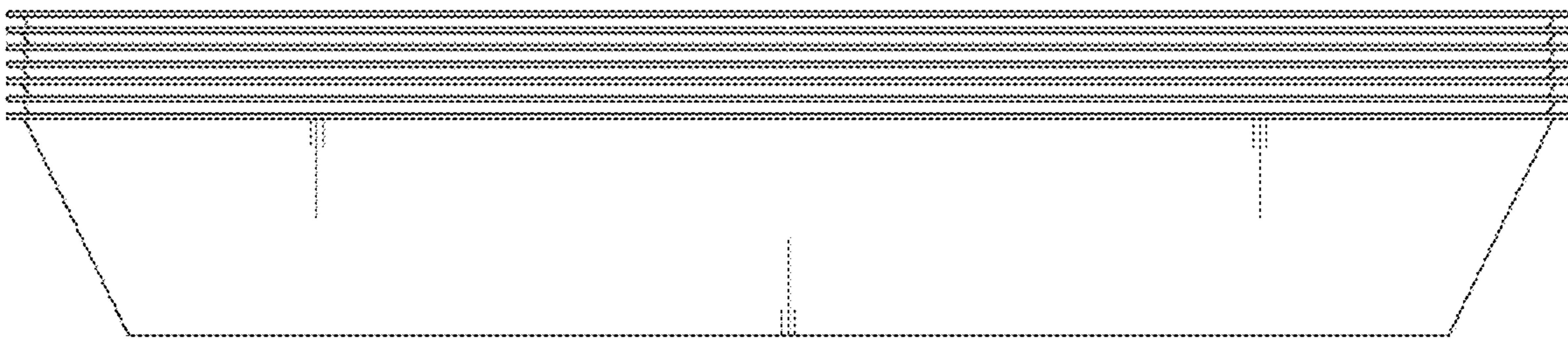
1.13



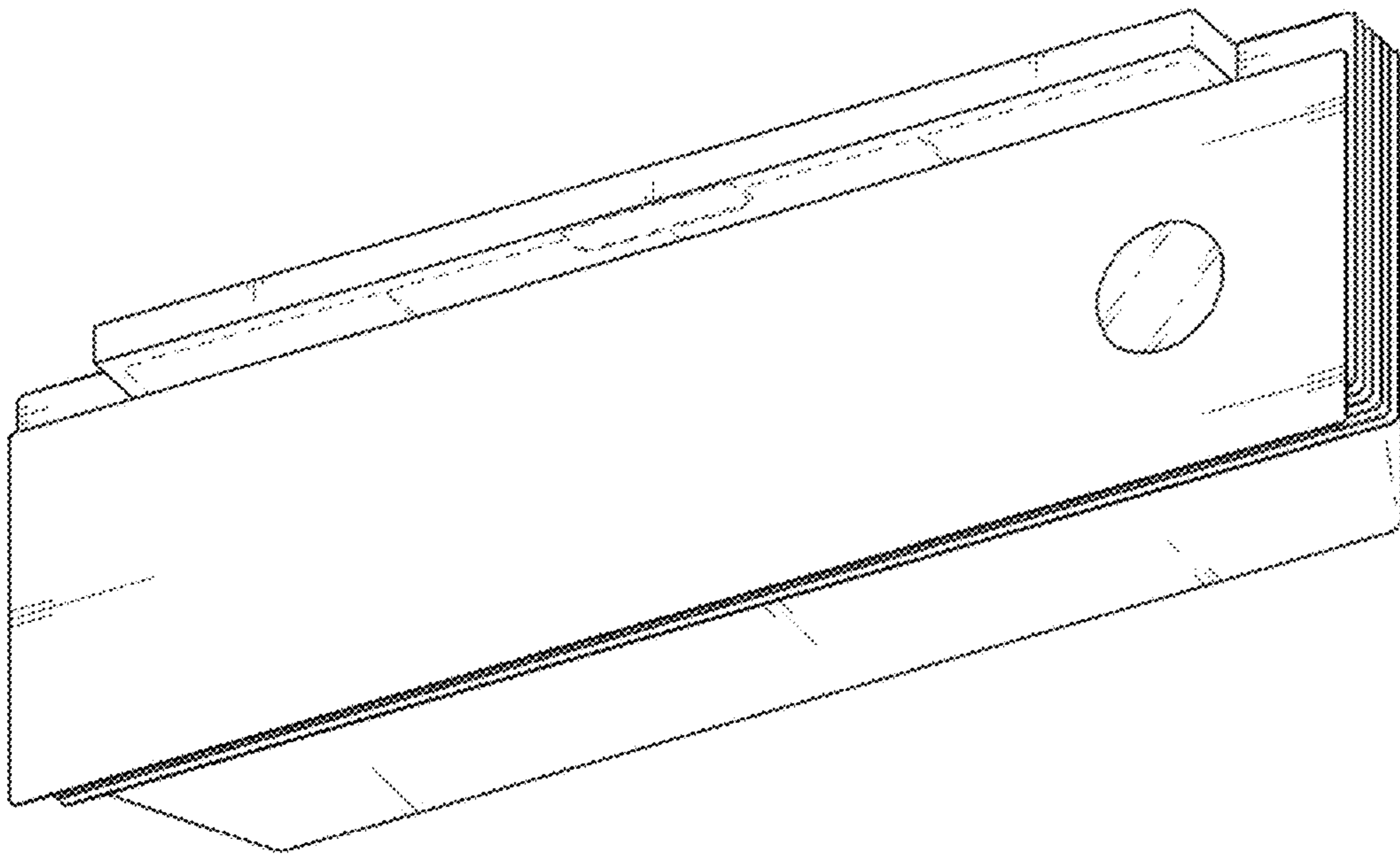
1.14



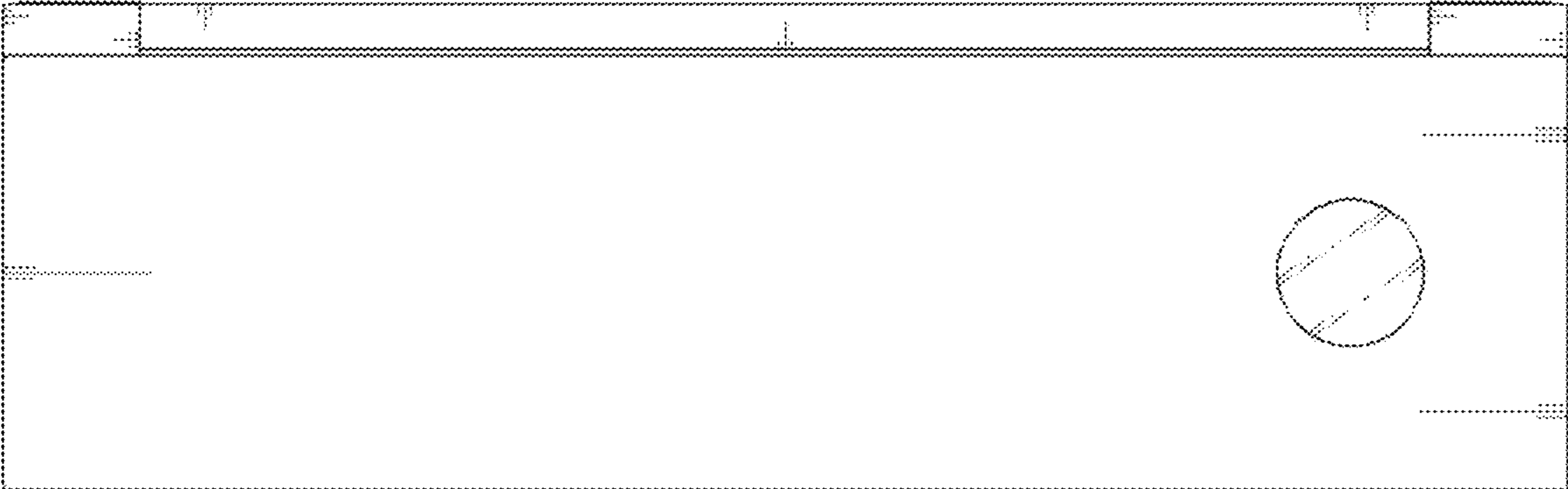
1.15



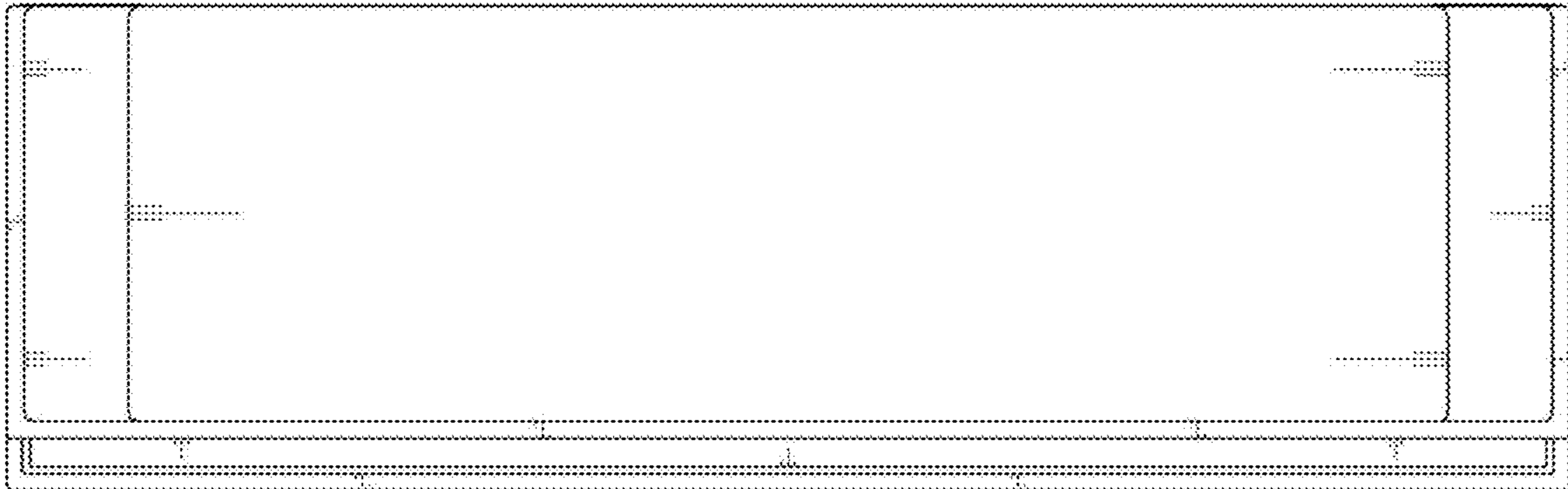
1.16



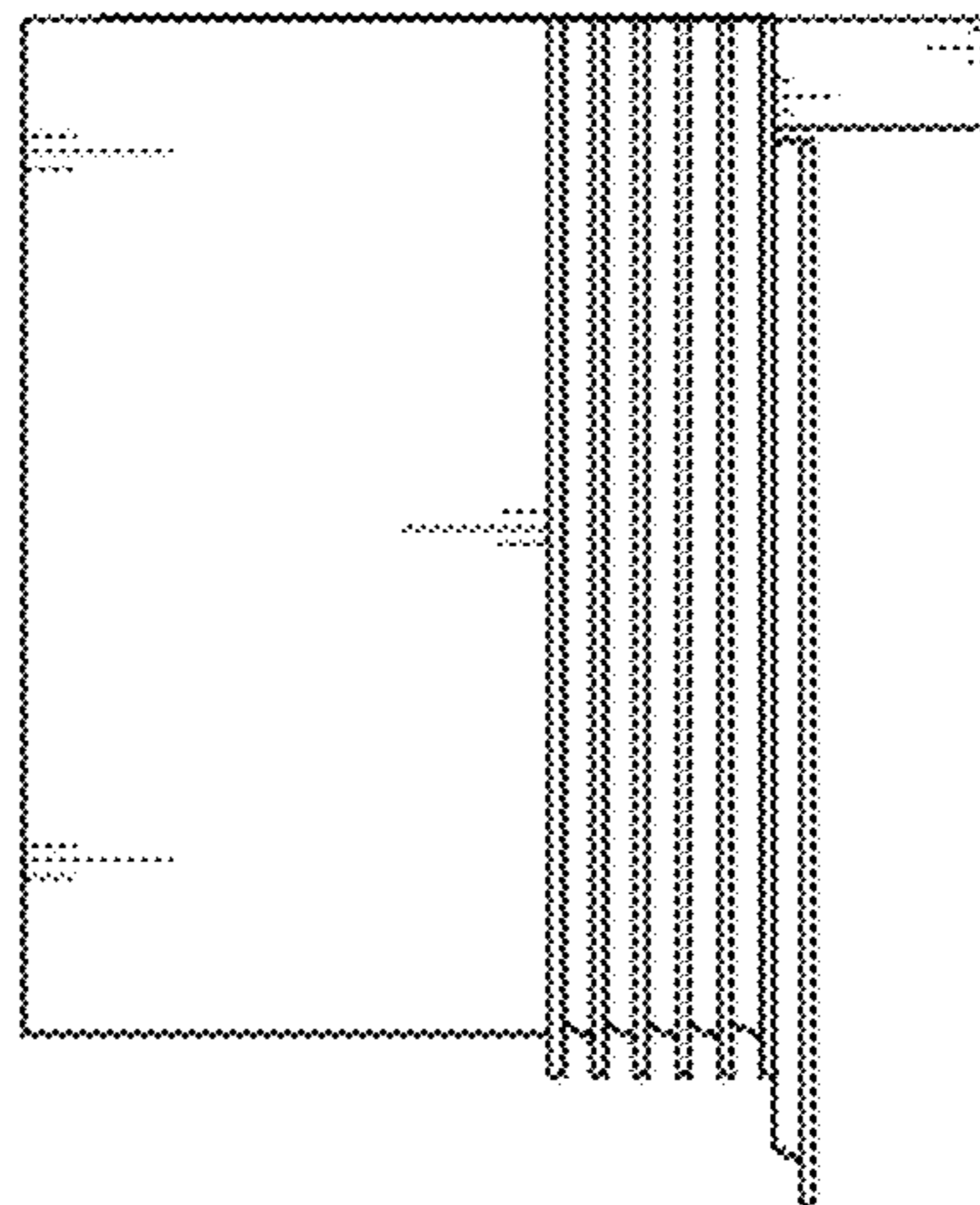
1.17



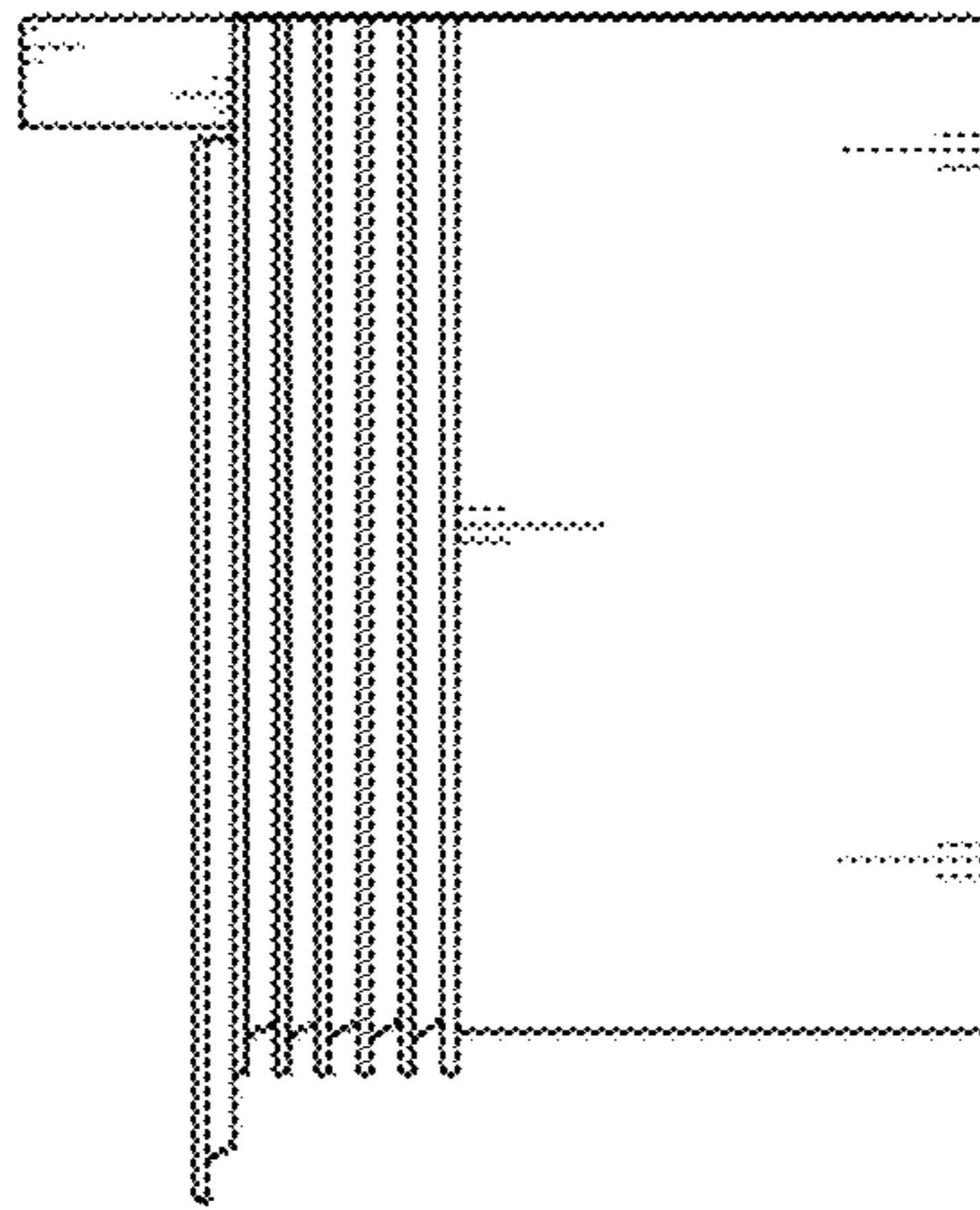
1.18



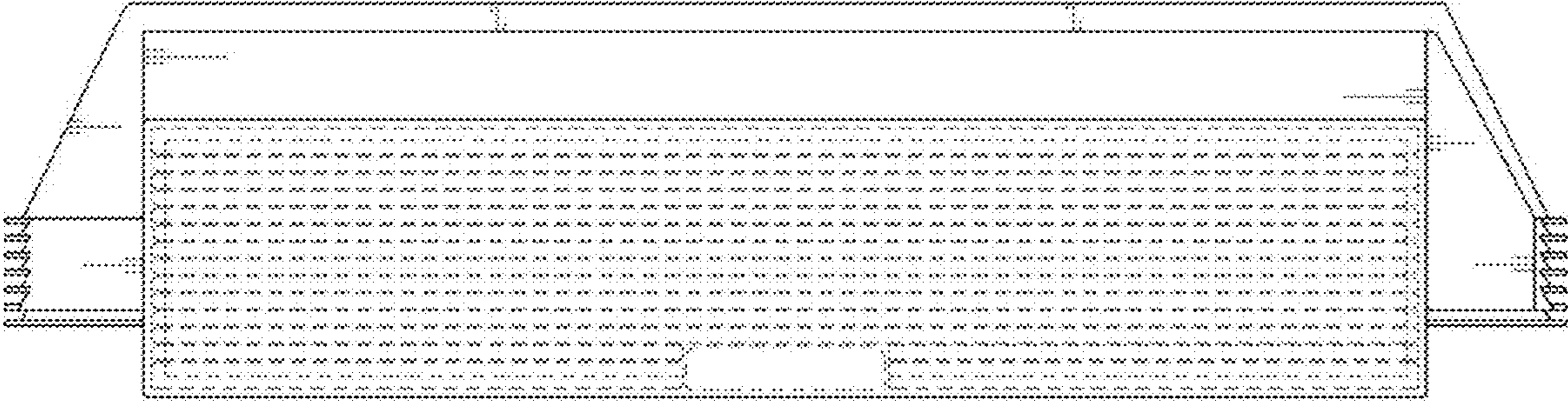
1.19



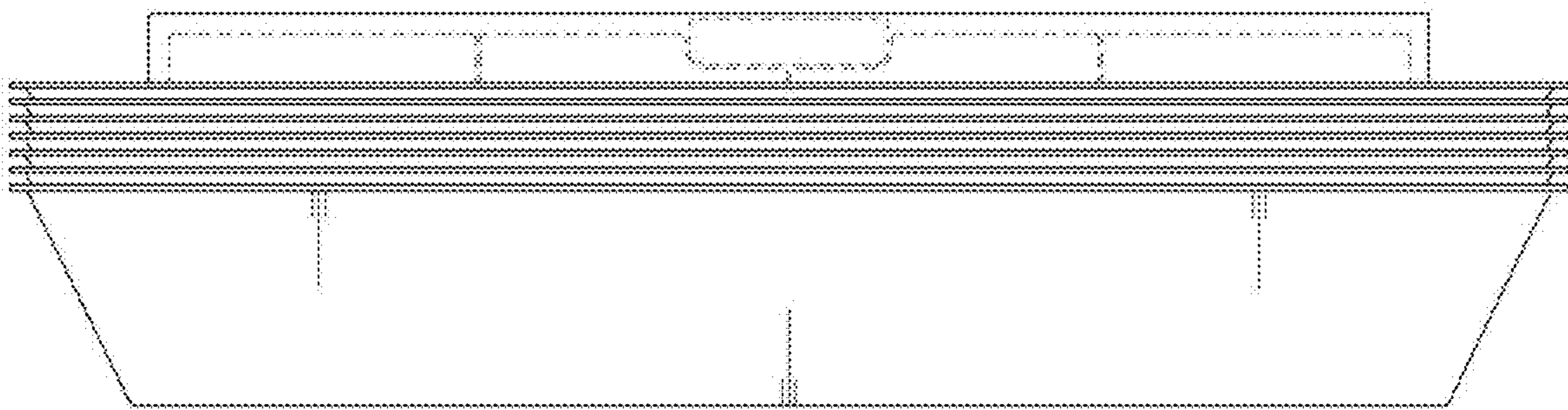
1.20



1.21



1.22



1.23

