



US00D855165S

(12) **United States Design Patent** (10) **Patent No.:** **US D855,165 S**
Bae et al. (45) **Date of Patent:** **** Jul. 30, 2019**

(54) **AIR CONDITIONER**

(71) Applicant: **LG ELECTRONICS INC.**, Seoul (KR)

(72) Inventors: **Sehwan Bae**, Seoul (KR); **Ilseop So**, Seoul (KR); **Kyunam Lee**, Seoul (KR); **Sangyoon Lee**, Seoul (KR); **Hyesun Lee**, Seoul (KR); **Hosik Jang**, Seoul (KR)

(73) Assignee: **LG ELECTRONICS INC.**, Seoul (KR)

(**) Term: **15 Years**

(21) Appl. No.: **35/505,195**

(22) Filed: **Dec. 28, 2017**

(80) **Hague Agreement Data**

Int. Filing Date: **Dec. 28, 2017**
Int. Reg. No.: **DM/099253**
Int. Reg. Date: **Dec. 28, 2017**
Int. Reg. Pub. Date: **Jun. 29, 2018**

(30) **Foreign Application Priority Data**

Jun. 29, 2017 (KR) 30-2017-0029997

(51) **LOC (11) Cl.** **23-04**

(52) **U.S. Cl.**
USPC **D23/351**

(58) **Field of Classification Search**

USPC D23/333, 335, 341, 342, 351, 353, 354, D23/355, 356, 359, 364, 365, 370, 385, D23/386, 388, 393
CPC .. F24F 11/30; F24F 11/52; F24F 11/46; F24F 11/83; F24F 2110/10; F24F 3/14; F24F 11/0001; F24F 11/54; F24F 11/56; F24F 11/58; F24F 11/62; F24F 11/64; F24F 11/66; F24F 11/70; F24F 11/72; F24F 11/74; F24F 11/76; F24F 11/77; F24F 11/84; F24F 11/85; F24F 11/86; F24F

11/89; F24F 13/20; F24F 13/28; F24F 1/022; F24F 1/38; F24F 2006/008; F24F 2006/046; F24F 2110/00; F24F 2110/40; (Continued)

(56) **References Cited**

U.S. PATENT DOCUMENTS

D580,537 S * 11/2008 Niki D23/351
D624,167 S * 9/2010 Mishiro D23/351
(Continued)

Primary Examiner — Khawaja Anwar

(74) *Attorney, Agent, or Firm* — Birch, Stewart, Kolasch & Birch, LLP

(57) **CLAIM**

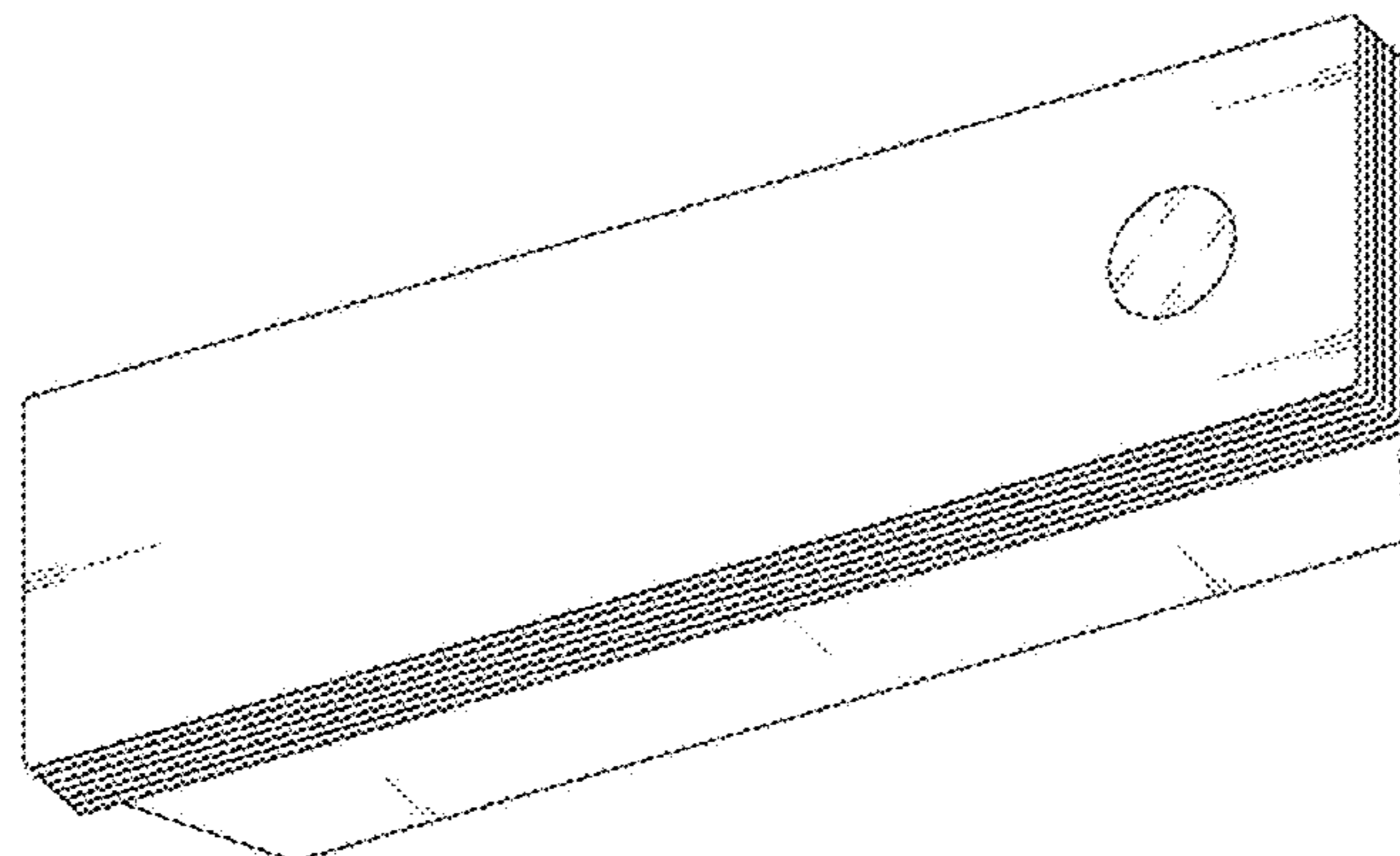
The ornamental design for an air conditioner, as shown and described.

DESCRIPTION

- 1. Air conditioner
- 1.1 : Perspective
- 1.2 : Front
- 1.3 : Back
- 1.4 : Left
- 1.5 : Right
- 1.6 : Top
- 1.7 : Bottom
- 1.8 : Reference view

The broken lines depict portions of the air conditioner that form no part of the claimed design; reproduction 1.1 is a front perspective view of the air conditioner; reproduction 1.2 is a front view thereof; reproduction 1.3 is a back view thereof; reproduction 1.4 is a left view thereof; reproduction 1.5 is a right view thereof; reproduction 1.6 is a top view thereof; reproduction 1.7 is a bottom view thereof; reproduction 1.8 is a reference view thereof showing the display part in operation and forms no part of the claimed design; this design is for a wall-mount air conditioner in which several panels are stacked at the same interval.

1 Claim, 8 Drawing Sheets



(58) **Field of Classification Search**

CPC F24F 2110/50; F24F 2110/64; F24F
2120/10; F24F 2140/12; F24F 2140/40;
F24F 2140/50; F24F 2221/54; F24F
3/044; F24F 3/0442; F24F 3/0444; F24F
3/08; F24F 5/00; F24F 5/0003; F24F
6/04; F24F 6/16; F24F 7/007; F24F 7/10

See application file for complete search history.

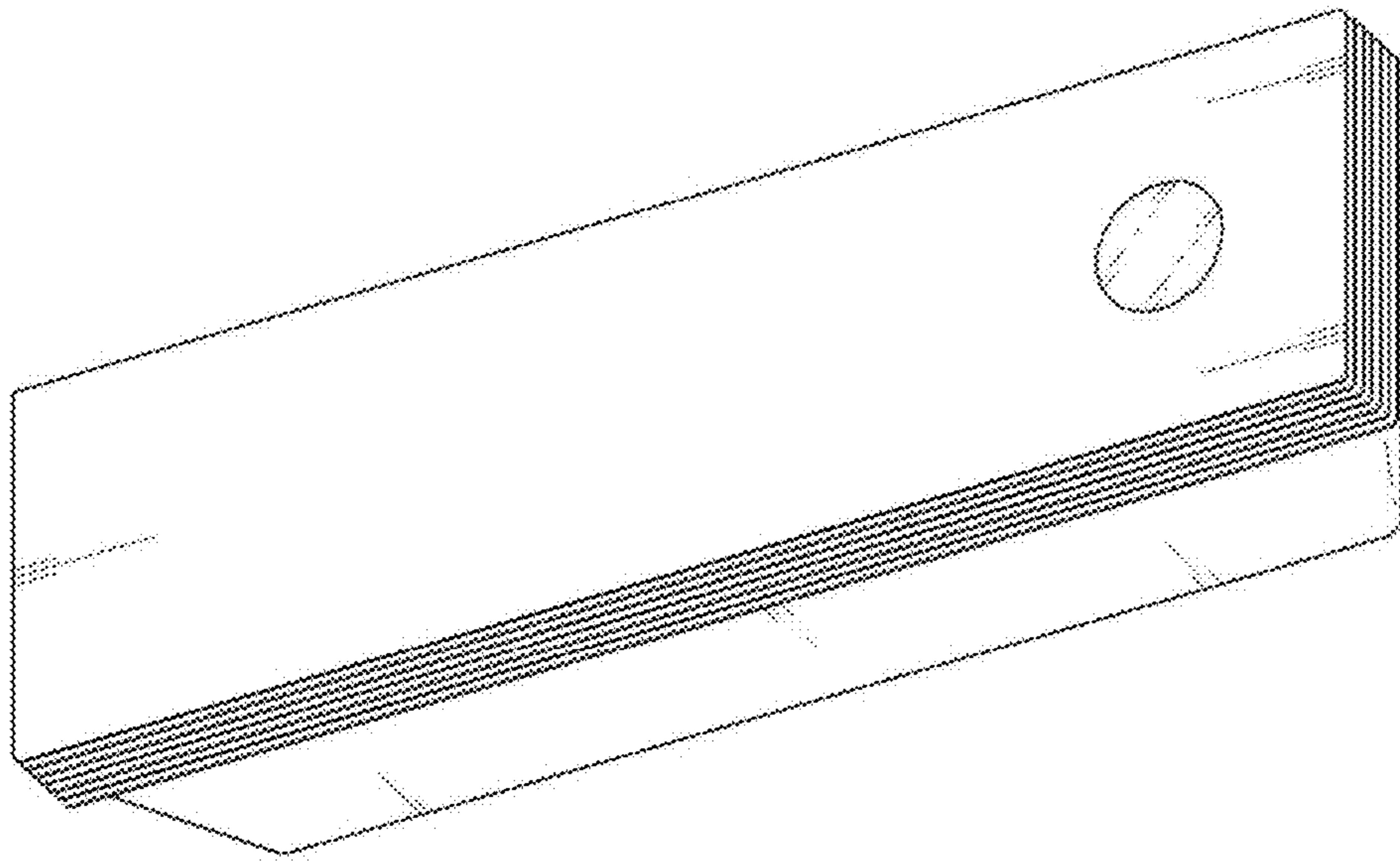
(56) **References Cited**

U.S. PATENT DOCUMENTS

D701,295 S	*	3/2014	Chouji	D23/351
D720,444 S	*	12/2014	Chouji	D23/351
D720,842 S	*	1/2015	Chouji	D23/351
D726,295 S	*	4/2015	Kim	D23/351
D802,108 S	*	11/2017	Birchler	D23/351
D824,502 S	*	7/2018	Kudo	D23/351
D827,798 S	*	9/2018	Guan	D23/351

* cited by examiner

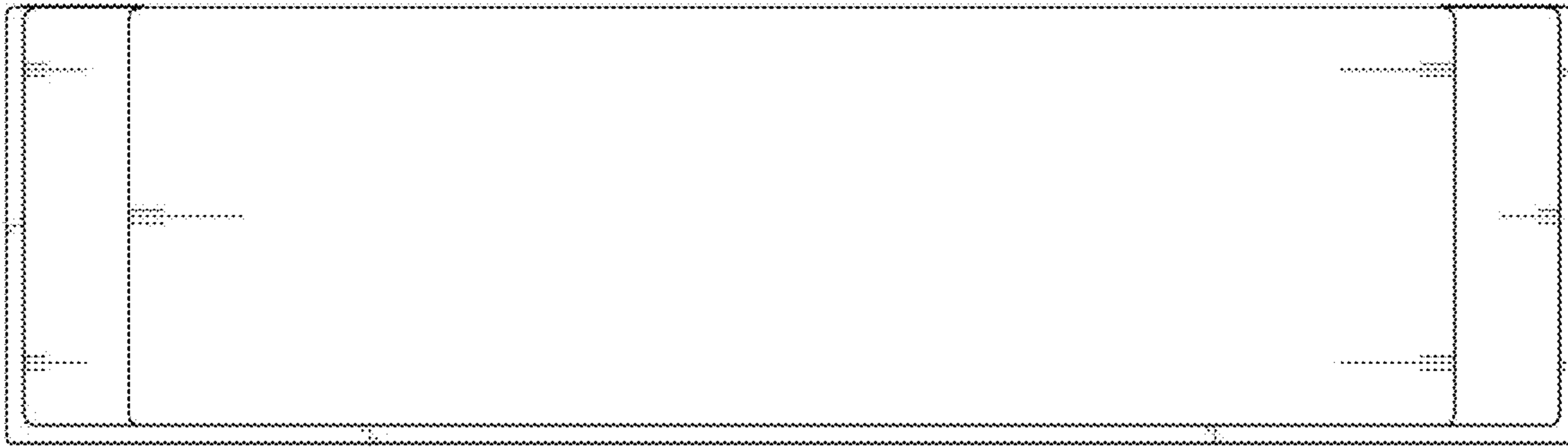
1.1



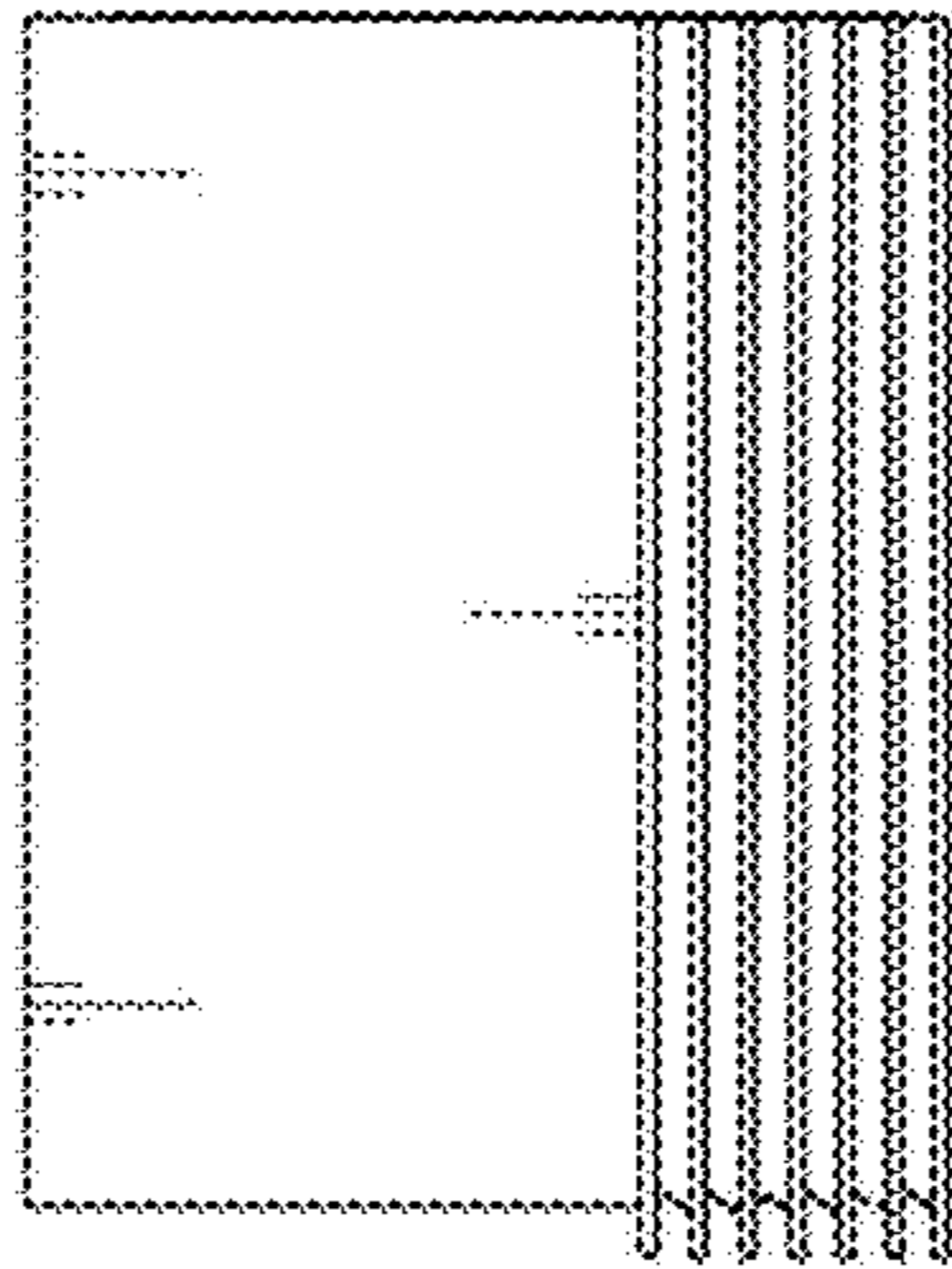
1.2



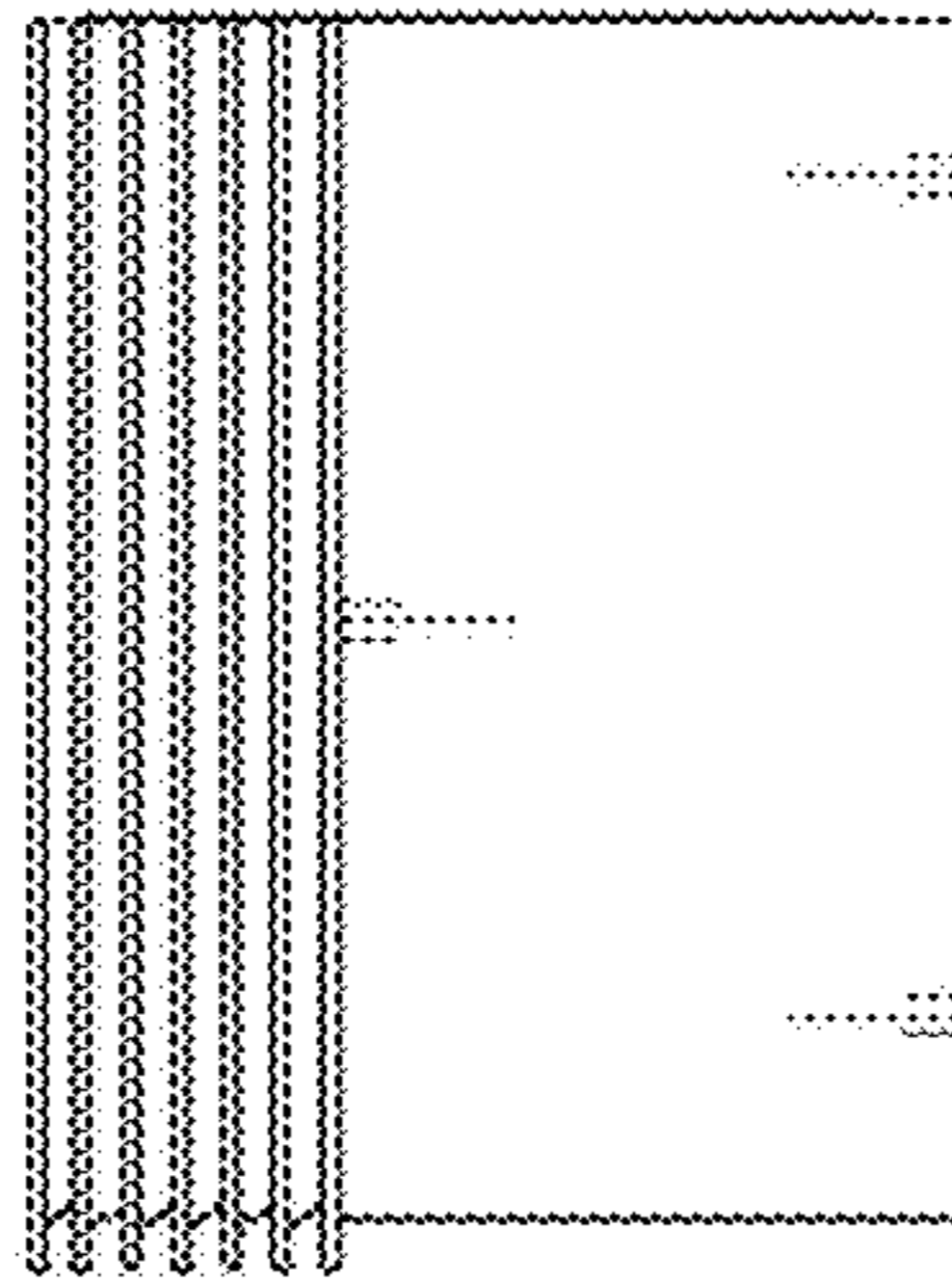
1.3



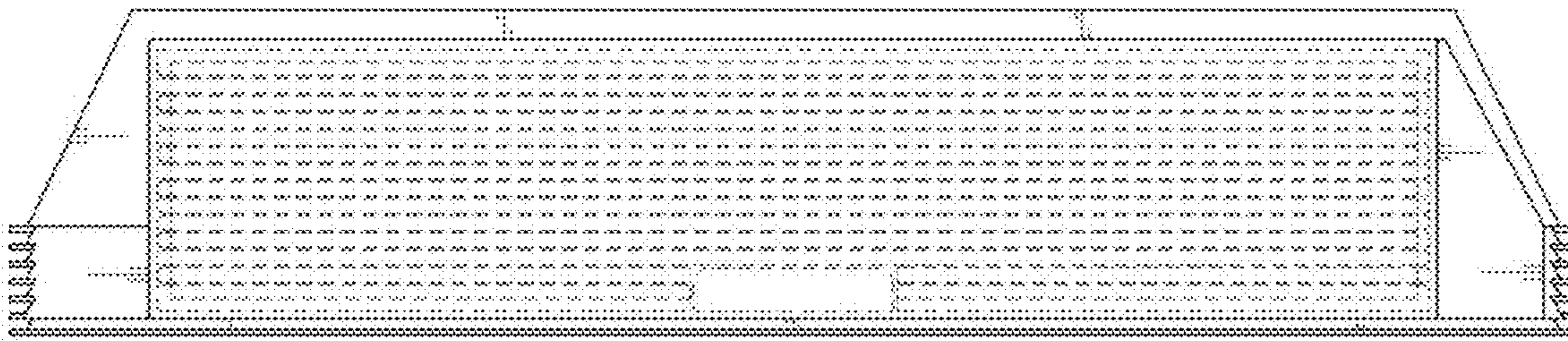
1.4



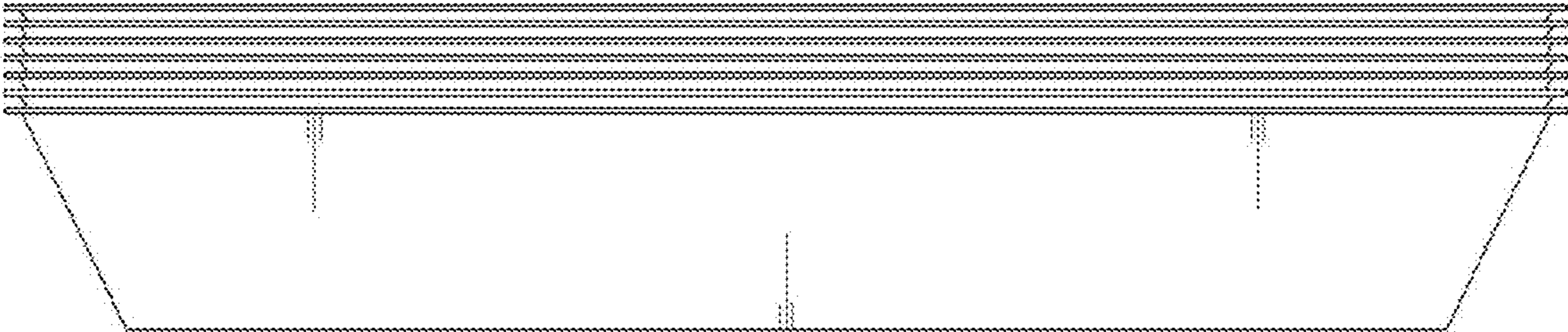
1.5



1.6



1.7



1.8

