



US00D855164S

(12) **United States Design Patent** (10) **Patent No.:** **US D855,164 S**
Morikawa et al. (45) **Date of Patent:** **** Jul. 30, 2019**

(54) **OUTDOOR UNITS FOR AIR CONDITIONERS**

(71) Applicant: **Mitsubishi Electric Corporation,**
Tokyo (JP)

(72) Inventors: **Yuudai Morikawa,** Tokyo (JP); **Yutaka Aoyama,** Tokyo (JP)

(73) Assignee: **Mitsubishi Electric Corporation,**
Tokyo (JP)

(**) Term: **15 Years**

(21) Appl. No.: **29/587,272**

(22) Filed: **Dec. 12, 2016**

(30) **Foreign Application Priority Data**

Jun. 27, 2016 (JP) 2016-013526
Jun. 27, 2016 (JP) 2016-013527
Jun. 27, 2016 (JP) 2016-013528

(51) **LOC (11) Cl.** **23-04**

(52) **U.S. Cl.**
USPC **D23/351**

(58) **Field of Classification Search**
USPC D23/333, 335, 341, 342, 351, 353, 354,
D23/355, 356, 359, 364, 365, 370, 385,
D23/386, 388, 393
CPC F24F 1/00; F24F 1/0007; F24F 1/02; F24F
1/08; F24F 1/42; F24F 1/56; F24F 1/60;
F24F 3/044; F24F 3/048; F24F 3/16;
F24F 7/00; F24F 7/04; F24F 12/001;
F24F 12/006

See application file for complete search history.

(56) **References Cited**

U.S. PATENT DOCUMENTS

D603,495 S * 11/2009 Sata D23/351
D603,948 S * 11/2009 Ishihara D23/351

D604,400 S * 11/2009 Sata D23/351
D628,685 S * 12/2010 Aoyama D23/351
D629,091 S * 12/2010 Maezawa D23/351
D653,740 S * 2/2012 Satou D23/351
D653,741 S * 2/2012 Tsuji D23/351
D653,742 S * 2/2012 Satou D23/351
D775,715 S * 1/2017 Kim D23/351
D804,000 S * 11/2017 Nomura D23/351
D814,002 S * 3/2018 Morikawa D23/351
D814,003 S * 3/2018 Morikawa D23/351
D814,004 S * 3/2018 Morikawa D23/351
D814,005 S * 3/2018 Morikawa D23/351

* cited by examiner

Primary Examiner — Natasha Vujcic

(74) *Attorney, Agent, or Firm* — Stuebaker & Brackett
PC

(57) **CLAIM**

The ornamental design for the outdoor units for air conditioners, as shown and described.

DESCRIPTION

FIG. 1 is a perspective view of the front, right and top sides of an outdoor units for air conditioners of a first embodiment showing our new design;

FIG. 2 is a perspective view of the rear, left and top sides thereof;

FIG. 3 is a front view thereof;

FIG. 4 is a rear view thereof;

FIG. 5 is a top side view thereof;

FIG. 6 is a bottom side view thereof;

FIG. 7 is a left side view thereof; and,

FIG. 8 is a right side view thereof.

The broken lines showing of the outdoor units for air conditioners are included for the purpose of illustrating portions of the outdoor units for air conditioners and forms no part of the claimed design.

The dot and dashed lines mean a boundary between the claimed portion and the non-claimed portion.

1 Claim, 7 Drawing Sheets

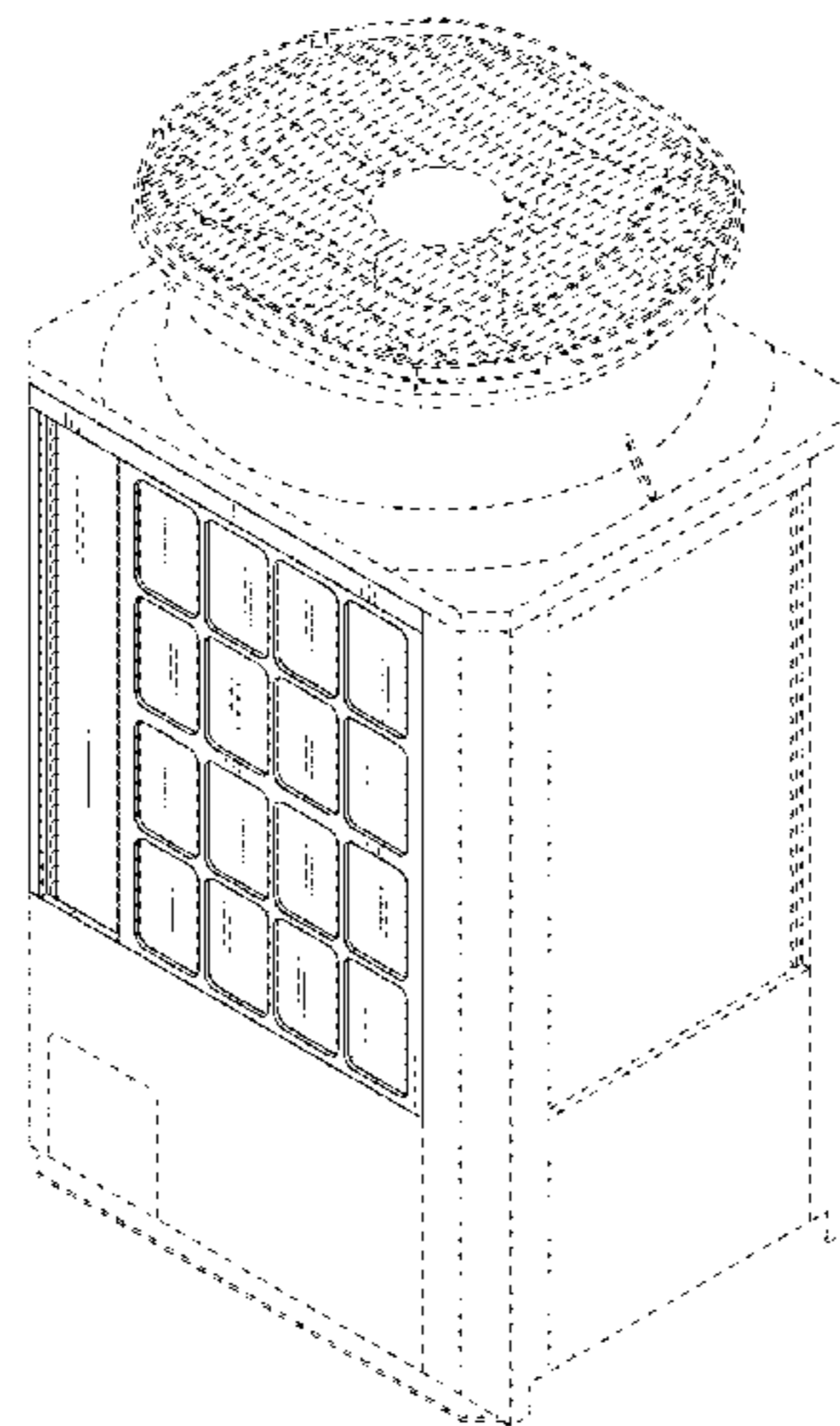


Fig. 1

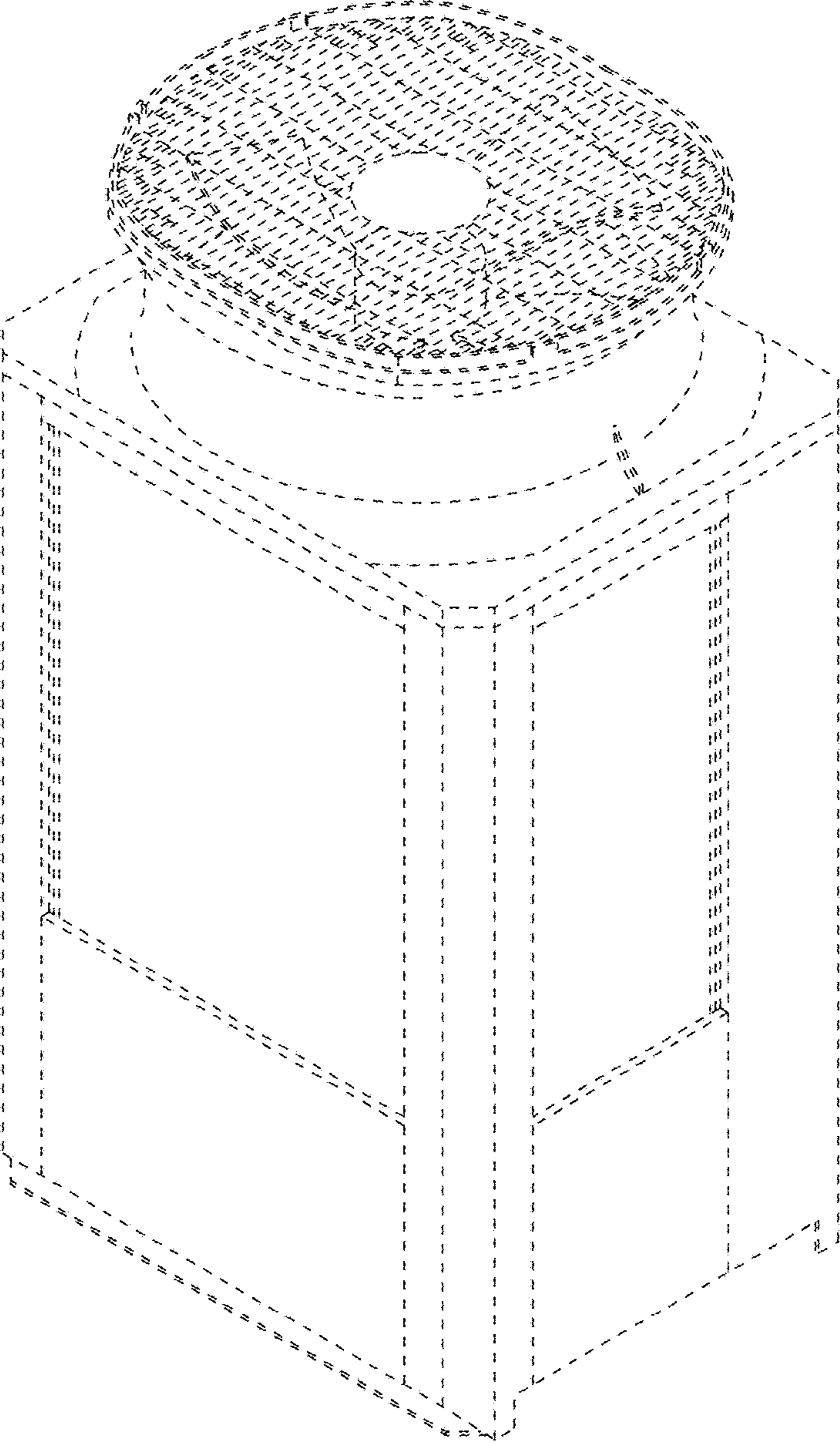


Fig. 2

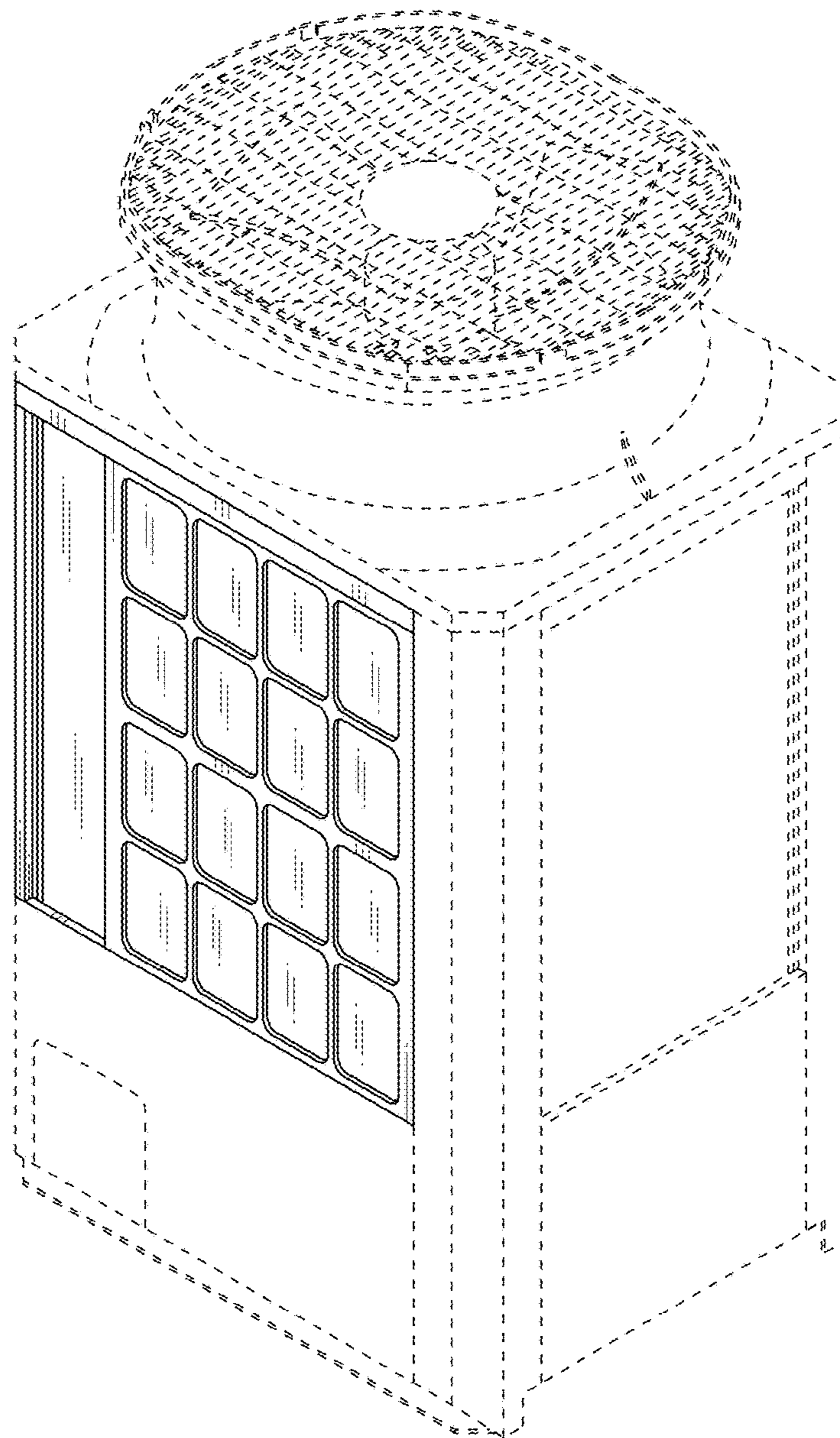


Fig. 3

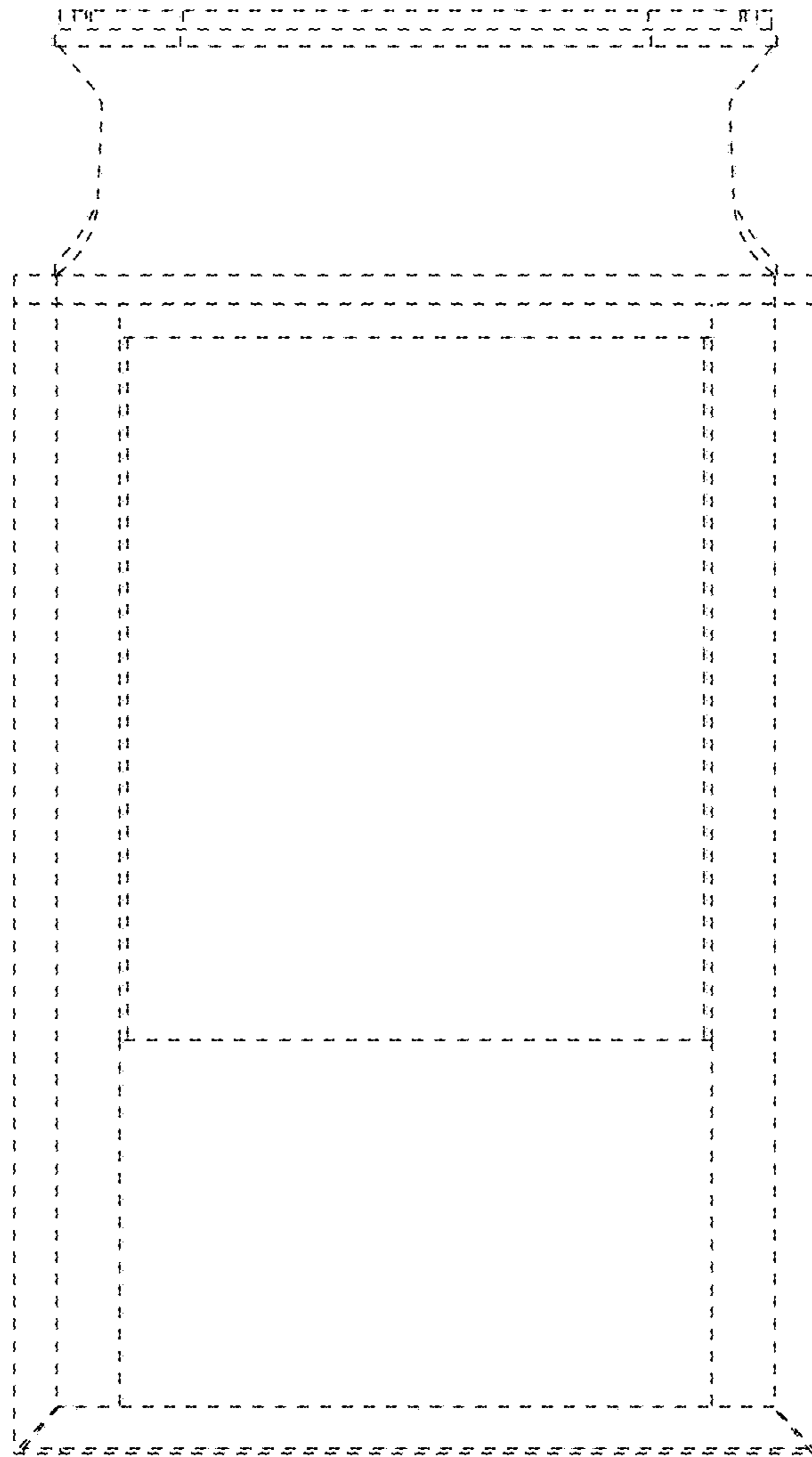


Fig. 4

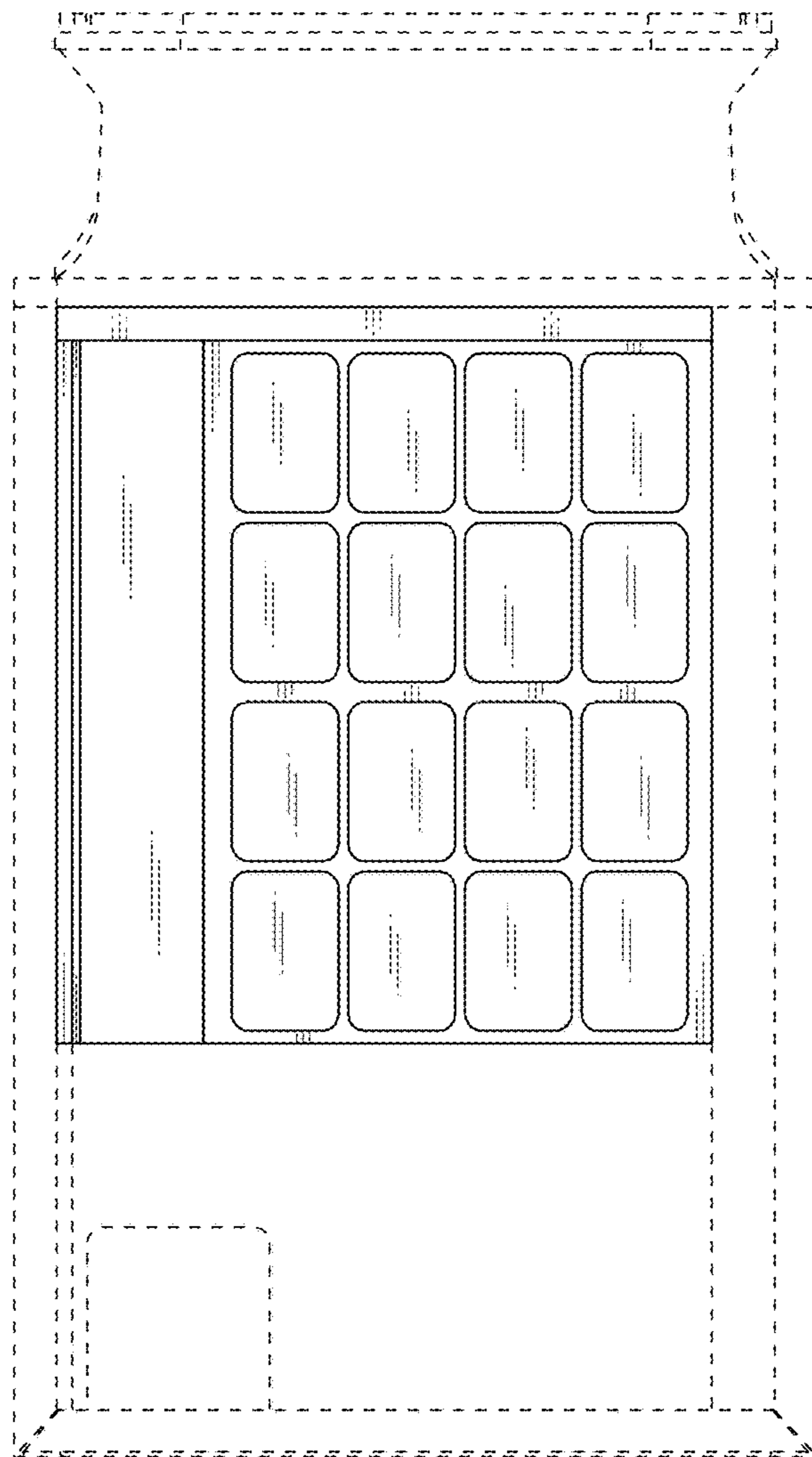


Fig. 5

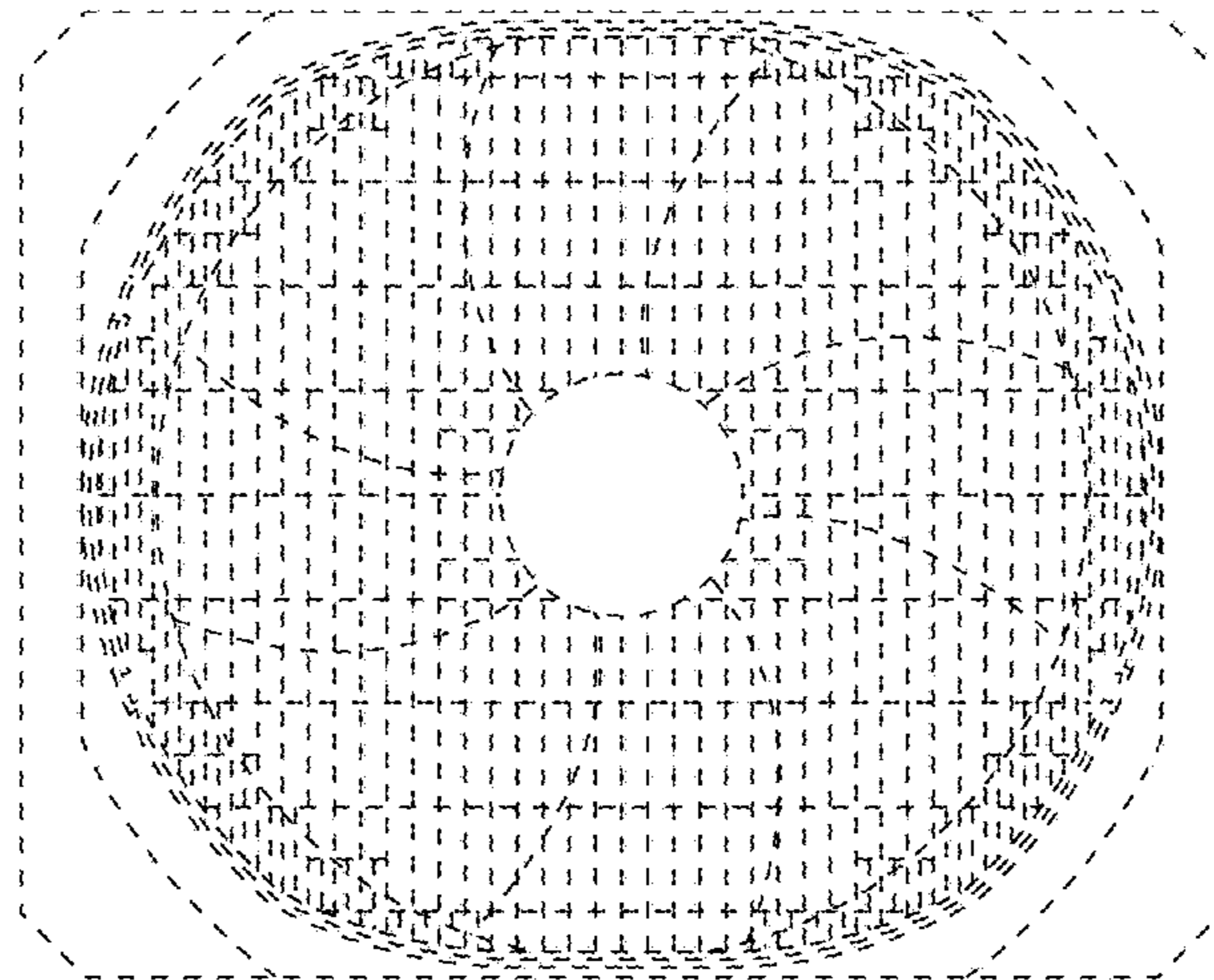


Fig. 6



Fig. 7

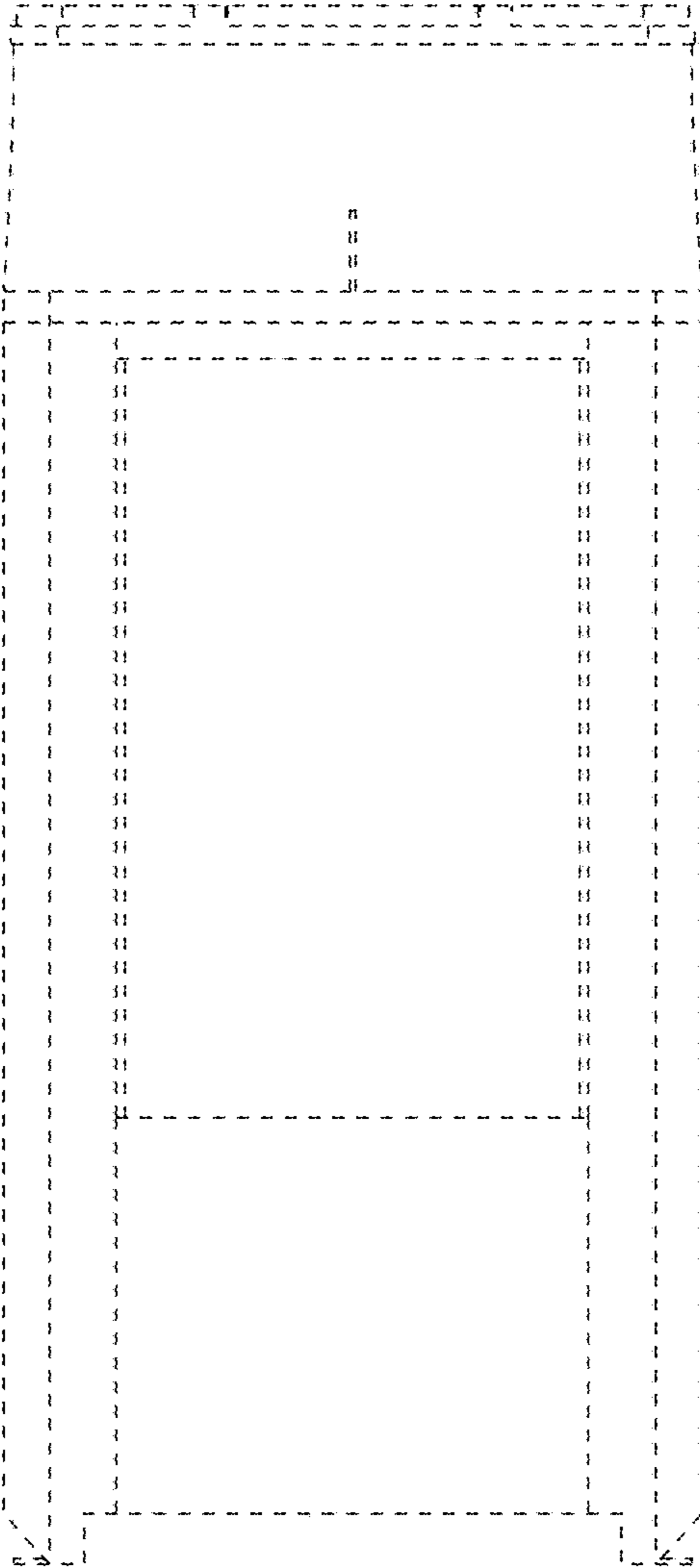


Fig. 8

