



US00D855163S

(12) **United States Design Patent** (10) **Patent No.:** **US D855,163 S**  
**Neidenberger et al.** (45) **Date of Patent:** **\*\* Jul. 30, 2019**

(54) **MOBILE ELECTRIC HEATER**  
(71) Applicant: **WEBASTO SE**, Stockdorf (DE)  
(72) Inventors: **Peter Neidenberger**, Stockdorf (DE);  
**Christian Baecker**, Stockdorf (DE)

(73) Assignee: **WEBASTO SE**, Stockdorf (DE)  
(\*\*) Term: **15 Years**

(21) Appl. No.: **29/599,428**

(22) Filed: **Apr. 3, 2017**

(30) **Foreign Application Priority Data**

Mar. 31, 2017 (EM) ..... 003832831

(51) **LOC (11) Cl.** ..... **23-16**

(52) **U.S. Cl.**  
USPC ..... **D23/324**

(58) **Field of Classification Search**  
USPC ..... D23/314, 324, 322, 323, 342, 317, 329,  
D23/332

CPC .. B60H 1/2218; B60H 1/2221; B60H 1/2225;  
H05B 1/0236; H05B 3/262; F24H 1/009;  
F24H 1/142; F24H 9/0015; F24H 9/2028;  
F28F 3/12; F28F 13/12

See application file for complete search history.

(56) **References Cited**

**U.S. PATENT DOCUMENTS**

5,337,729 A \* 8/1994 Oman ..... B60H 1/00264  
123/142.5 R  
D813,363 S \* 3/2018 Wegener ..... D23/324

2013/0026151 A1\* 1/2013 Adachi ..... B60H 1/2221  
219/202  
2013/0161308 A1\* 6/2013 Bohlender ..... H05B 3/02  
219/202  
2016/0360572 A1\* 12/2016 Bohlender ..... H05B 1/0236

\* cited by examiner

*Primary Examiner* — T Chase Nelson

*Assistant Examiner* — Ania Aman

(74) *Attorney, Agent, or Firm* — Boyle Fredrickson, S.C.

(57) **CLAIM**

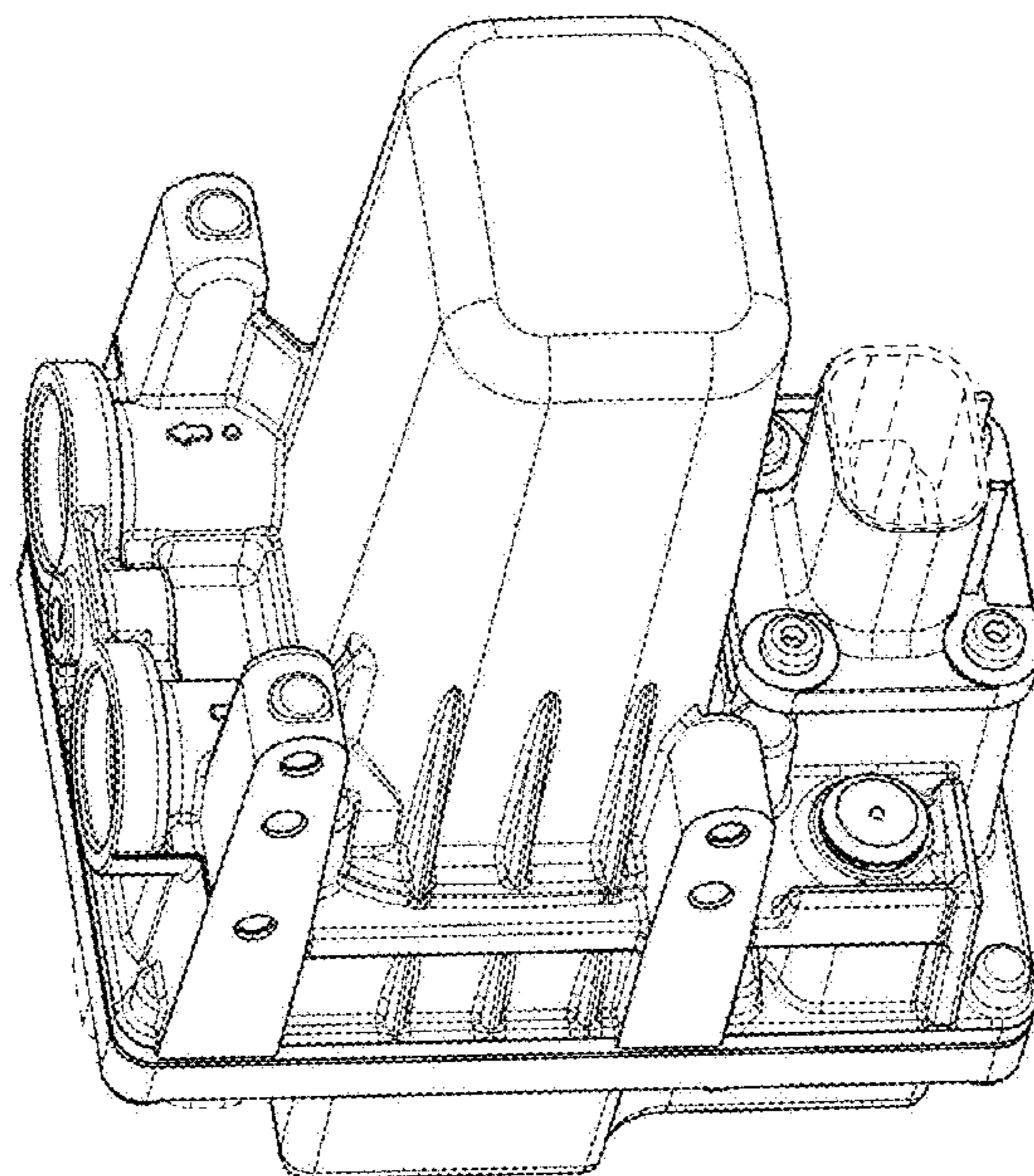
The ornamental design for a mobile electric heater, as shown and described.

**DESCRIPTION**

FIG. 1 is a perspective view of a mobile electric heater in accordance with the present invention;  
FIG. 2 is a front elevational view of the mobile electric heater of FIG. 1;  
FIG. 3 is a rear elevational view of the mobile electric heater of FIG. 1;  
FIG. 4 is a side elevational view of a first side of the mobile electric heater of FIG. 1;  
FIG. 5 is a side elevational view of a second side of the mobile electric heater of FIG. 1;  
FIG. 6 is a top plan view of the mobile electric heater of FIG. 1; and,  
FIG. 7 is a bottom view of the mobile electric heater of FIG. 1.

The broken lines and the area within the broken lines in the drawings depict portions of the mobile electric heater that form no part of the claim.

**1 Claim, 7 Drawing Sheets**



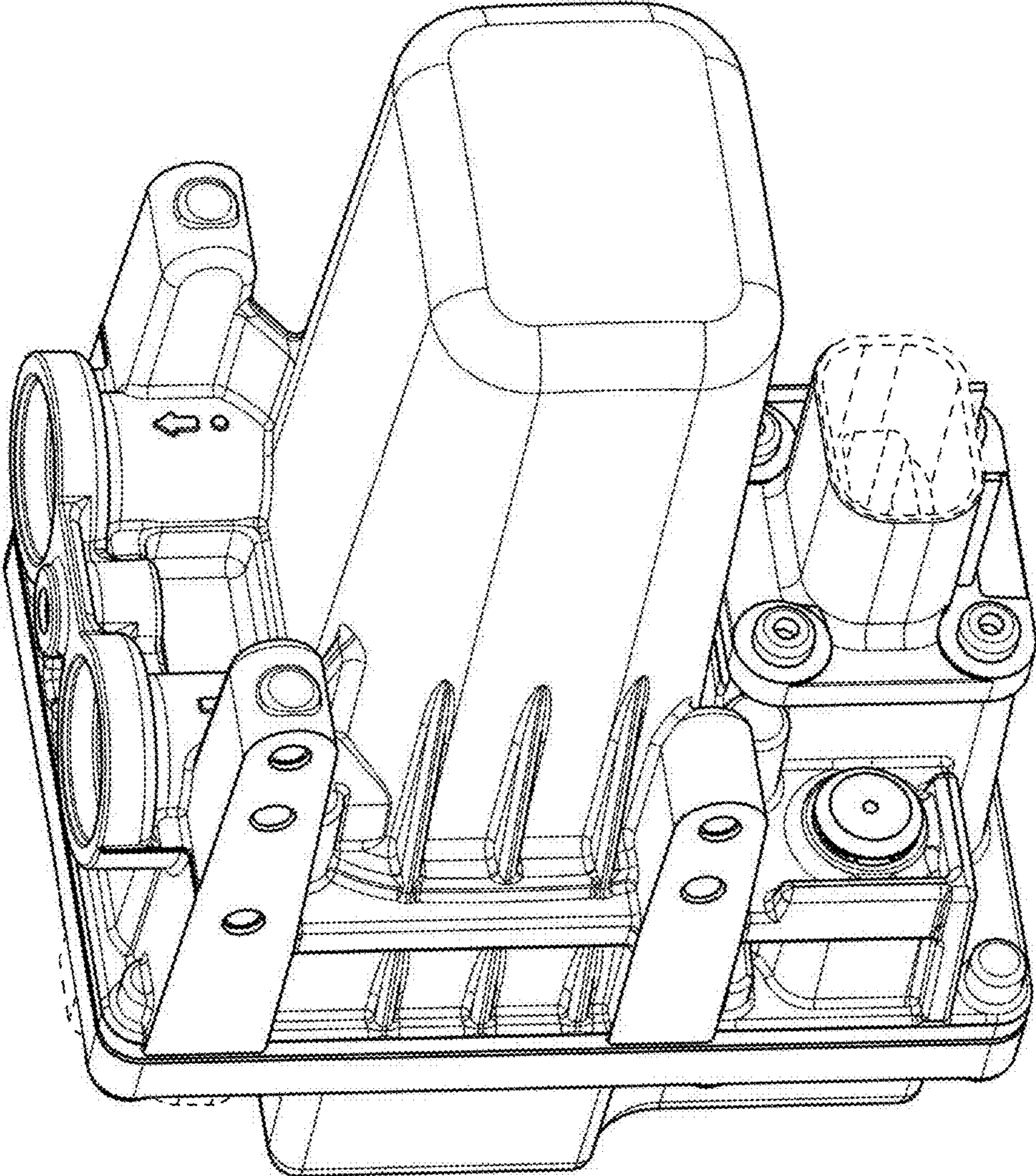


FIG. 1

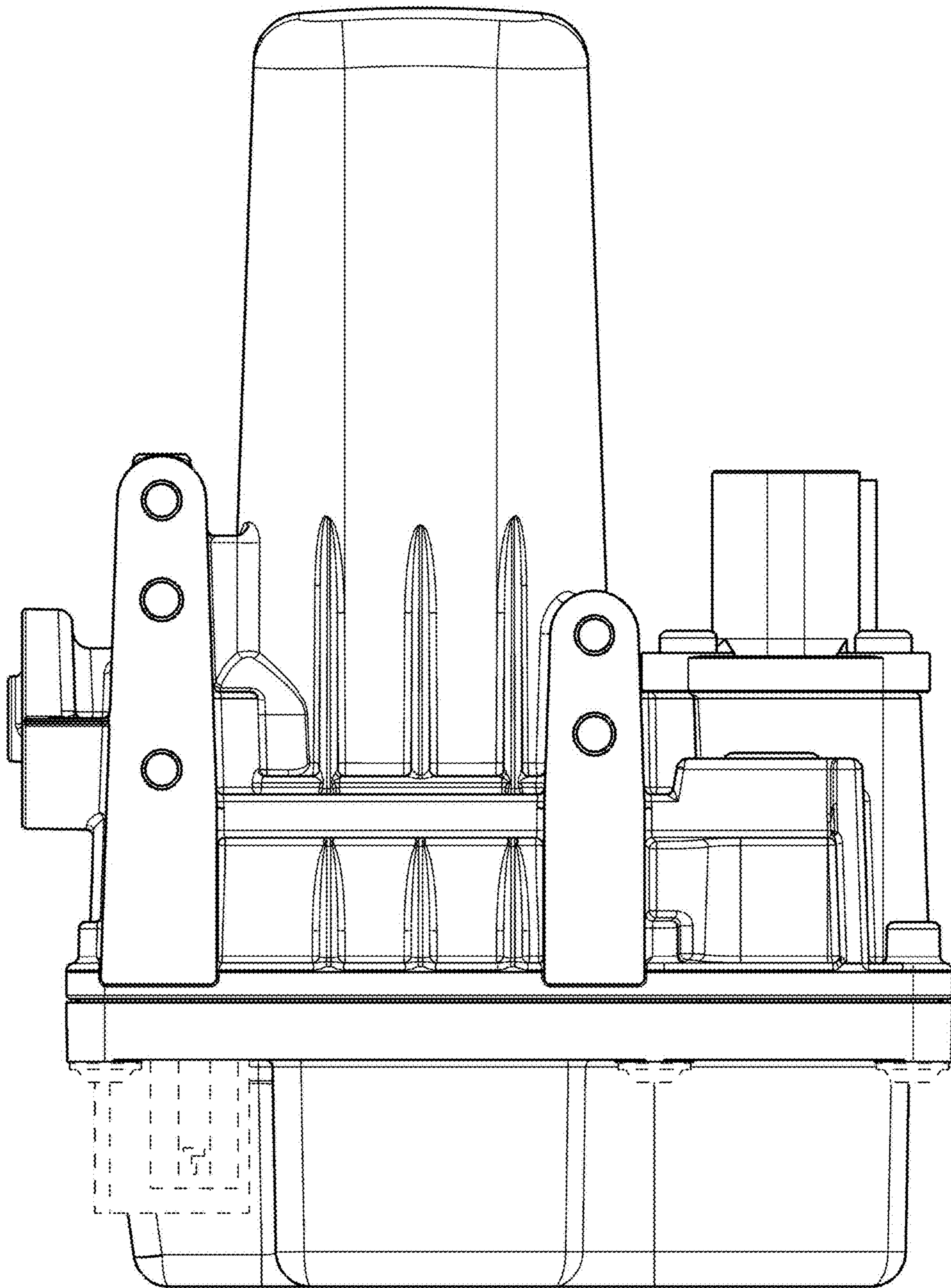


FIG. 2

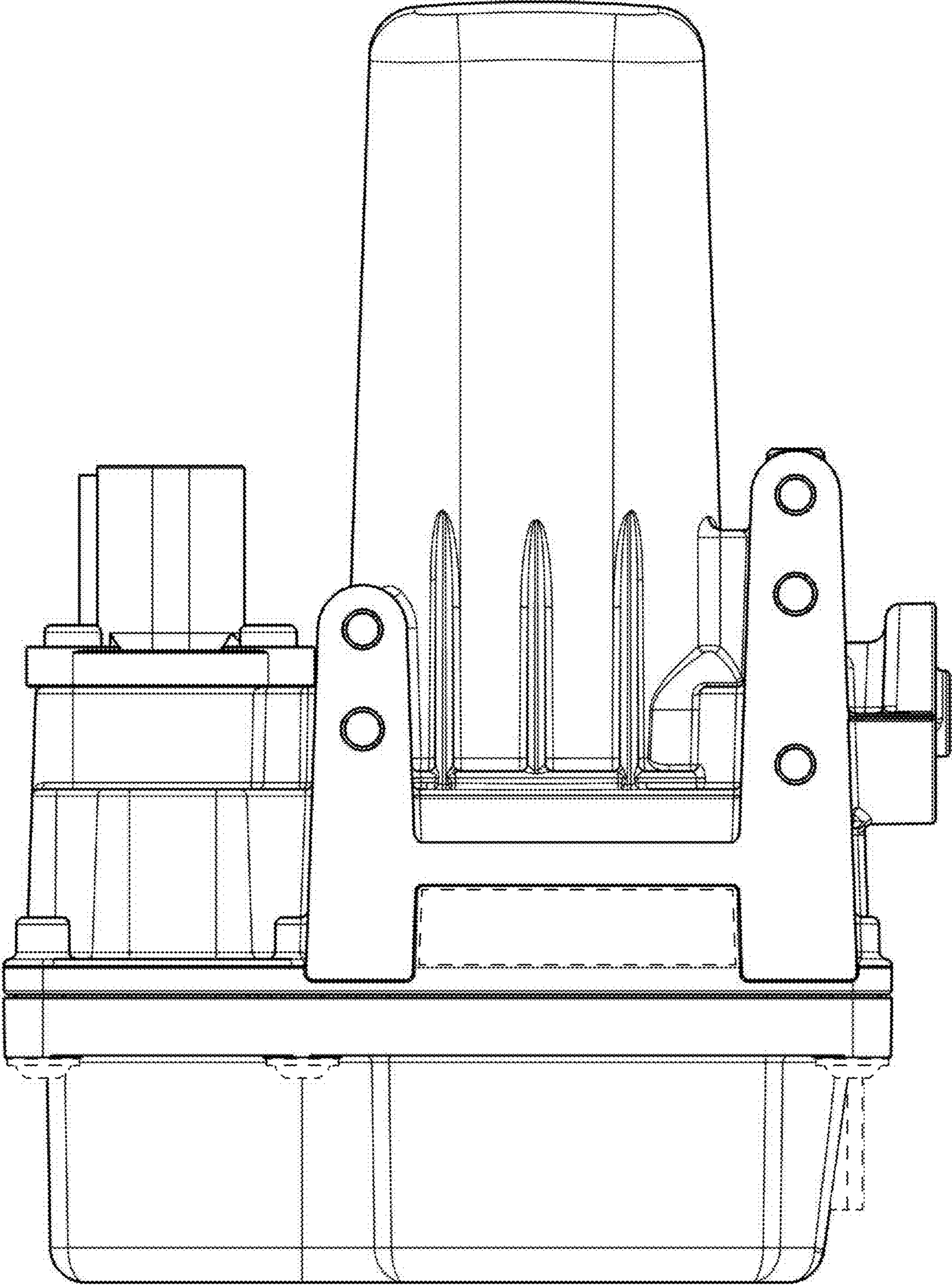


FIG. 3

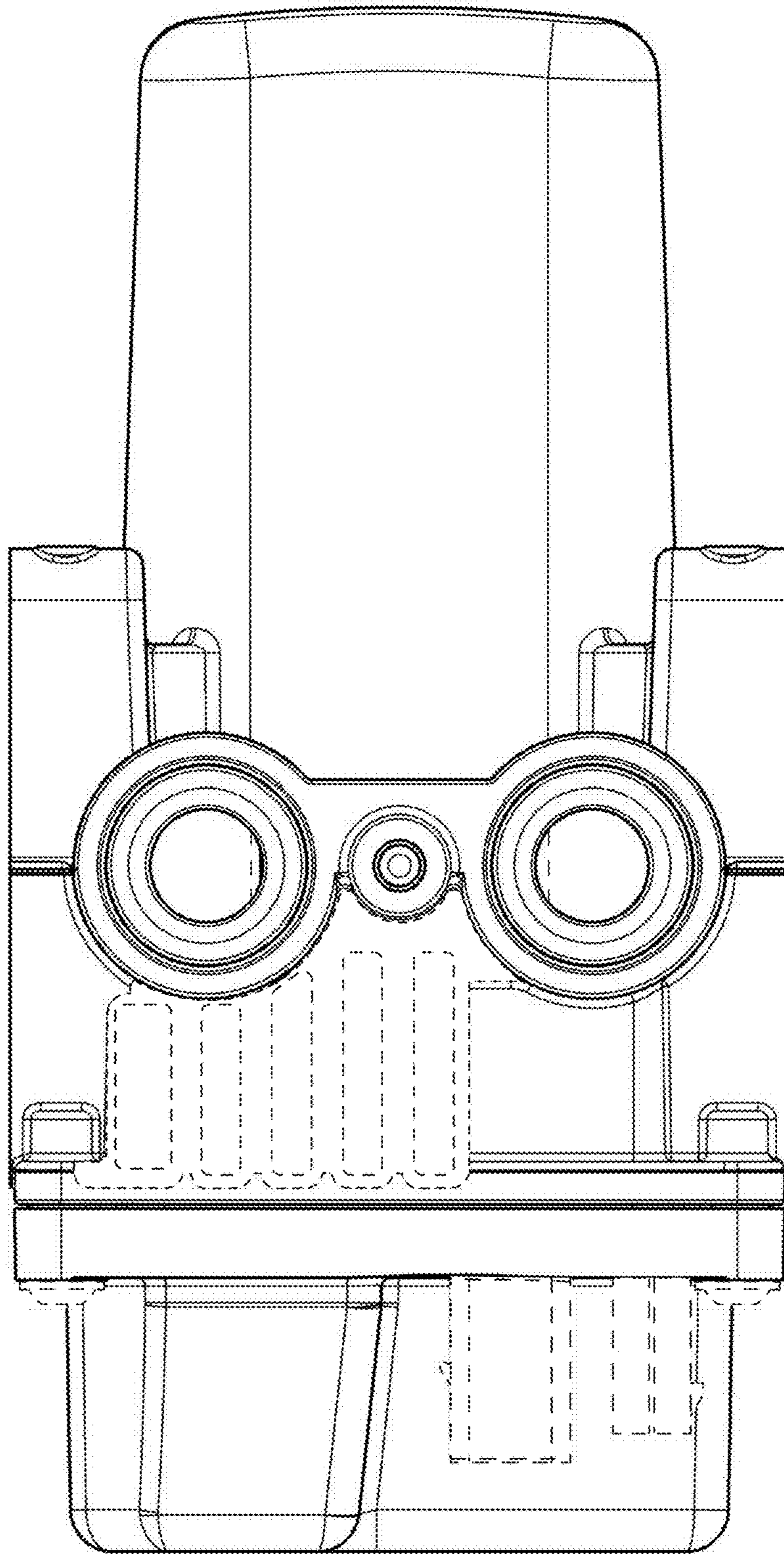


FIG. 4

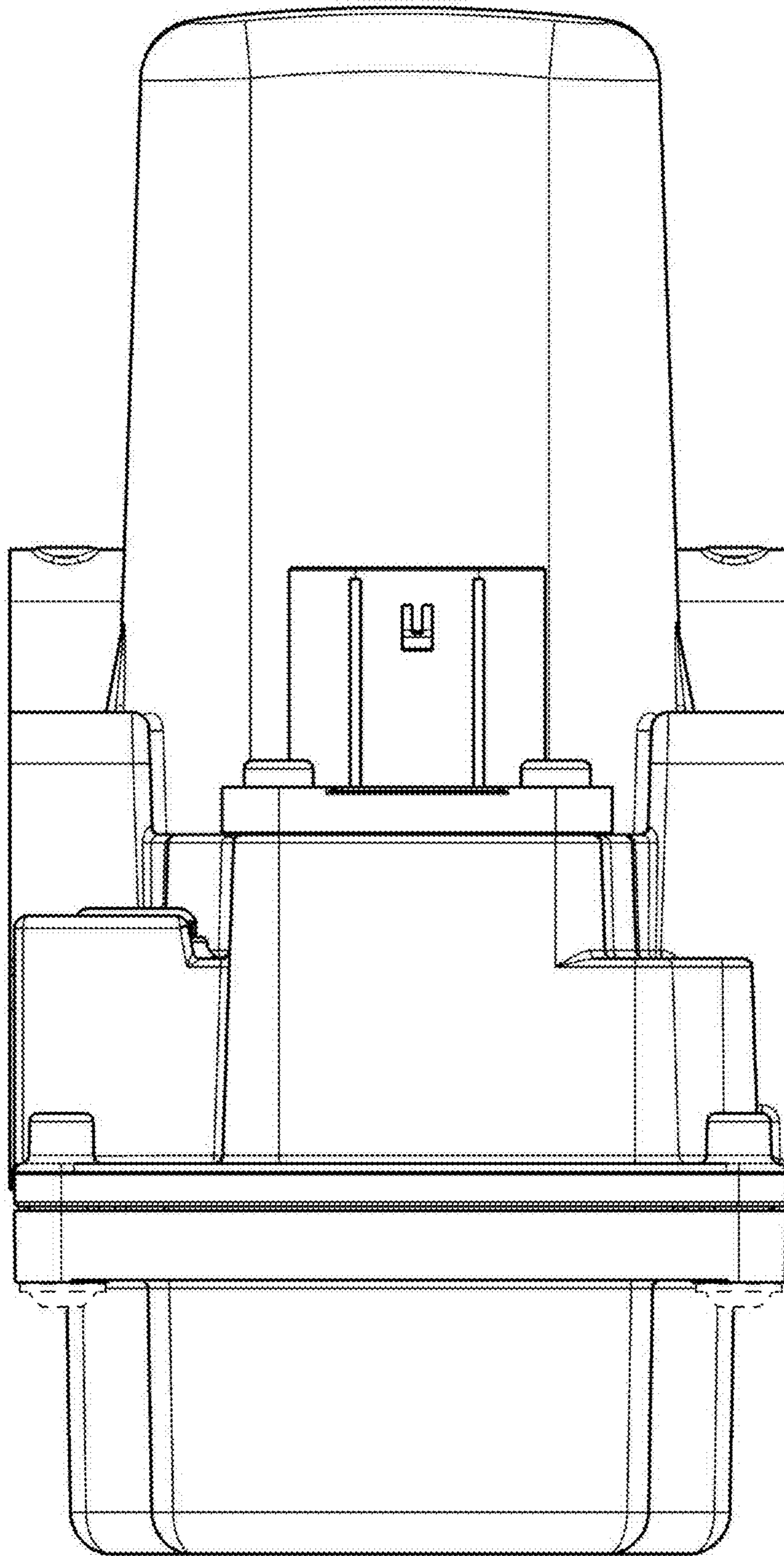


FIG. 5

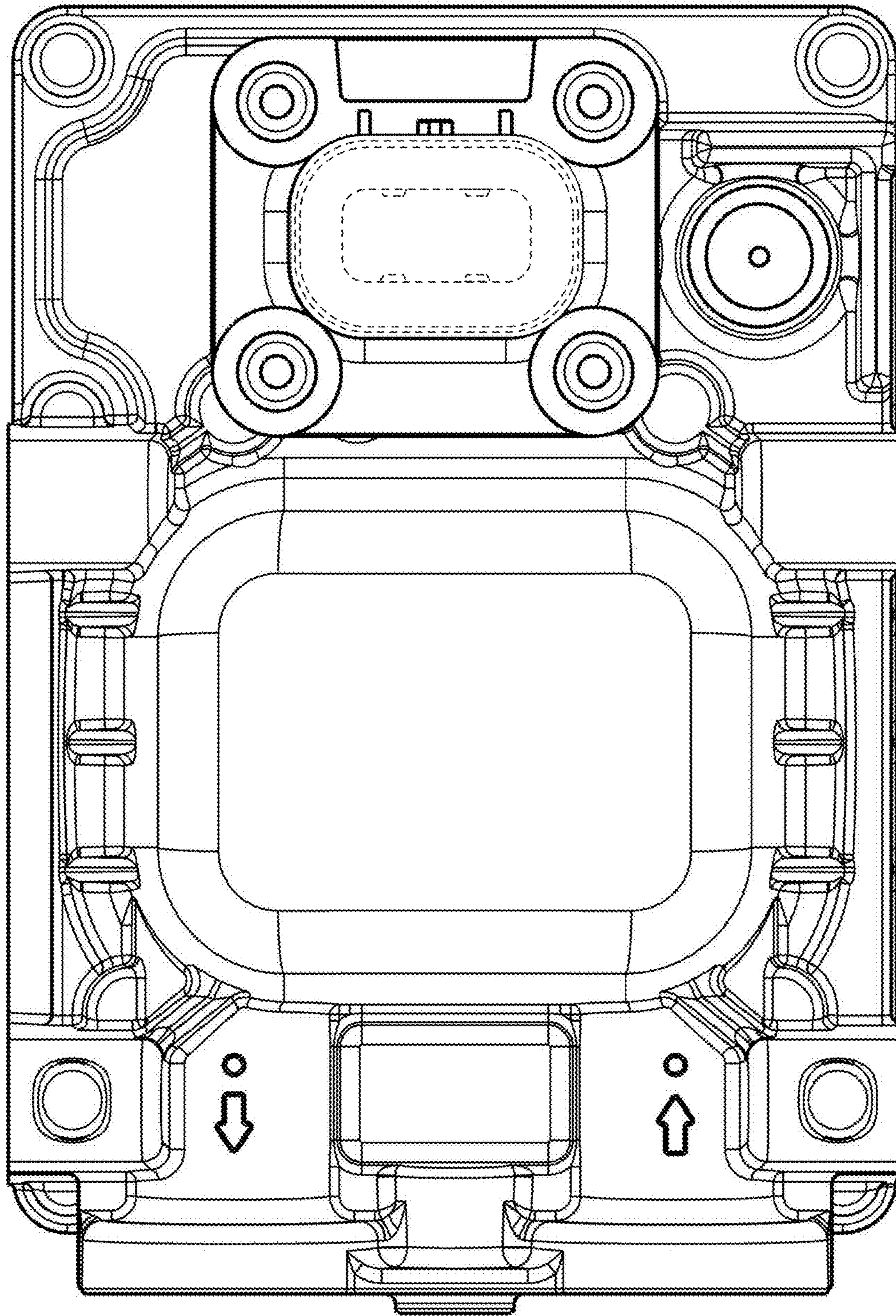


FIG. 6

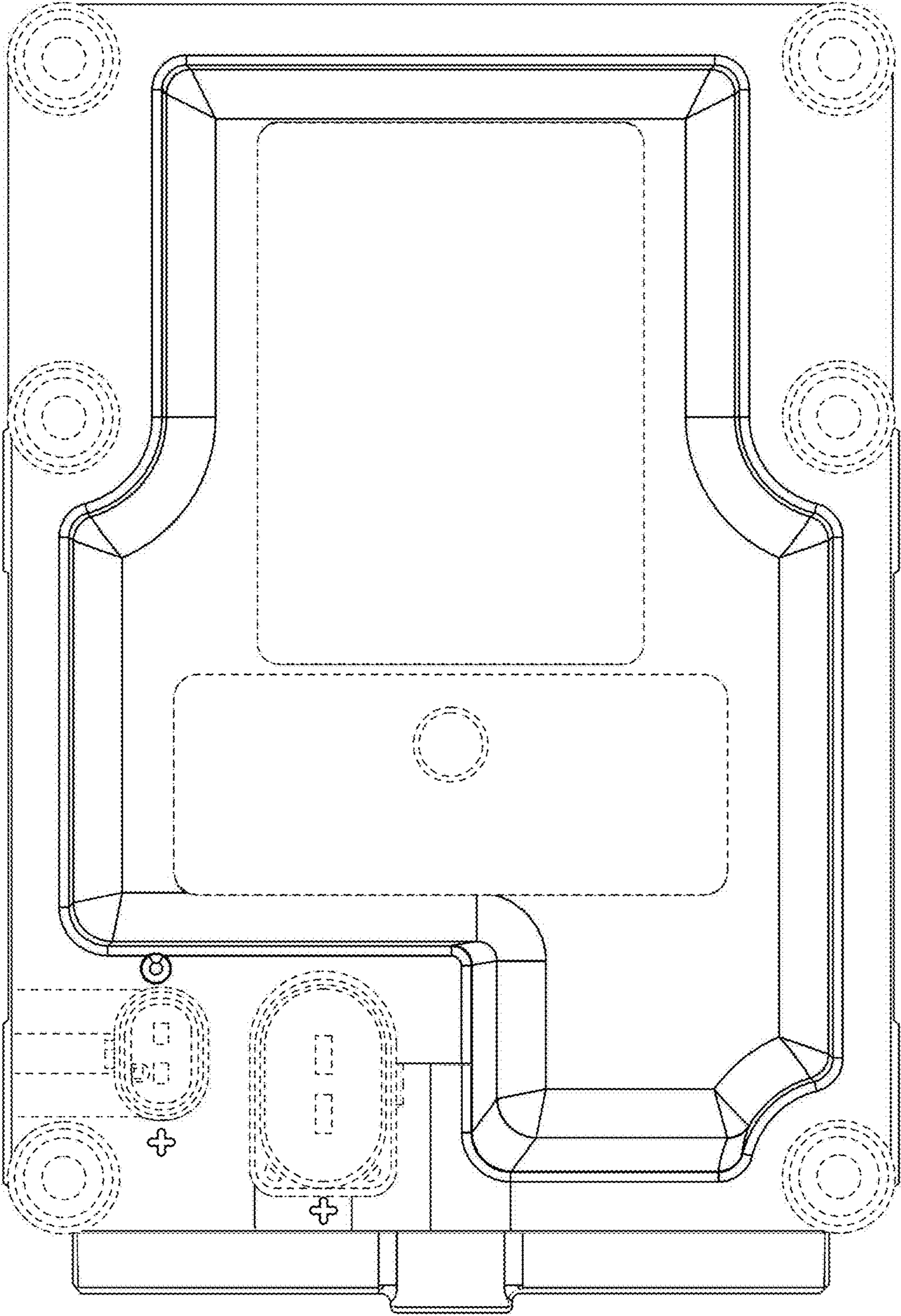


FIG. 7