



US00D855162S

(12) **United States Design Patent** (10) **Patent No.:** **US D855,162 S**
Shono et al. (45) **Date of Patent:** **** Jul. 30, 2019**

(54) **WATER HEATER**

(71) Applicant: **NORITZ CORPORATION**, Hyogo (JP)

(72) Inventors: **Ryoichi Shono**, Akashi (JP); **Toshihiro Ishino**, Kobe (JP)

(73) Assignee: **NORITZ CORPORATION**, Hyogo (JP)

(**) Term: **15 Years**

(21) Appl. No.: **29/582,824**

(22) Filed: **Oct. 31, 2016**

(51) **LOC (11) Cl.** **23-03**

(52) **U.S. Cl.**
USPC **D23/318**

(58) **Field of Classification Search**
USPC D23/313, 317, 318, 319, 320, 321, 332,
D23/333, 334, 335, 341, 351, 354, 418,
(Continued)

(56) **References Cited**

U.S. PATENT DOCUMENTS

D81,225 S * 5/1930 Boattenhamer D7/504
D251,386 S * 3/1979 Leonard D24/147
(Continued)

FOREIGN PATENT DOCUMENTS

CA 171298 S 8/2017
CA 174783 S 8/2017
CA 174784 * 8/2017

OTHER PUBLICATIONS

Noritz website, NCC300OD, Publication date unknown, [site visited Jul. 26, 2018], Available on the Internet URL http://www.noritz.com/products/ncc300-od/N.*

(Continued)

Primary Examiner — Karen S Acker

Assistant Examiner — Steven B Reinholdt, Jr.

(74) *Attorney, Agent, or Firm* — Studebaker & Brackett PC

(57) **CLAIM**

The ornamental design for a water heater, as shown and described.

DESCRIPTION

FIG. 1 is a perspective view of a water heater, in accordance with Embodiment 1 of the present design;

FIG. 2 is a front view thereof;

FIG. 3 is a rear view thereof;

FIG. 4 is a top view thereof;

FIG. 5 is a bottom view thereof;

FIG. 6 is a right side view thereof;

FIG. 7 is a left side view thereof;

FIG. 8 is a cross sectional view in which the internal mechanism is not shown for the sake of clarity, taken along line 8-8 of FIG. 2 thereof;

FIG. 9 is a cross sectional view in which the internal mechanism is not shown for the sake of clarity, taken along line 9-9 of FIG. 2 thereof;

FIG. 10 is a cross sectional view in which the internal mechanism is not shown for the sake of clarity, taken along line 10-10 of FIG. 2 thereof;

FIG. 11 is a perspective view of a water heater, in accordance with Embodiment 2 of the present design;

FIG. 12 is a front view thereof;

FIG. 13 is a rear view thereof;

FIG. 14 is a top view thereof;

FIG. 15 is a bottom view thereof;

FIG. 16 is a right side view thereof;

FIG. 17 is a left side view thereof;

FIG. 18 is a cross sectional view in which the internal mechanism is not shown for the sake of clarity, taken along line 18-18 of FIG. 12 thereof;

FIG. 19 is a cross sectional view in which the internal mechanism is not shown for the sake of clarity, taken along line 19-19 of FIG. 12 thereof; and,

(Continued)

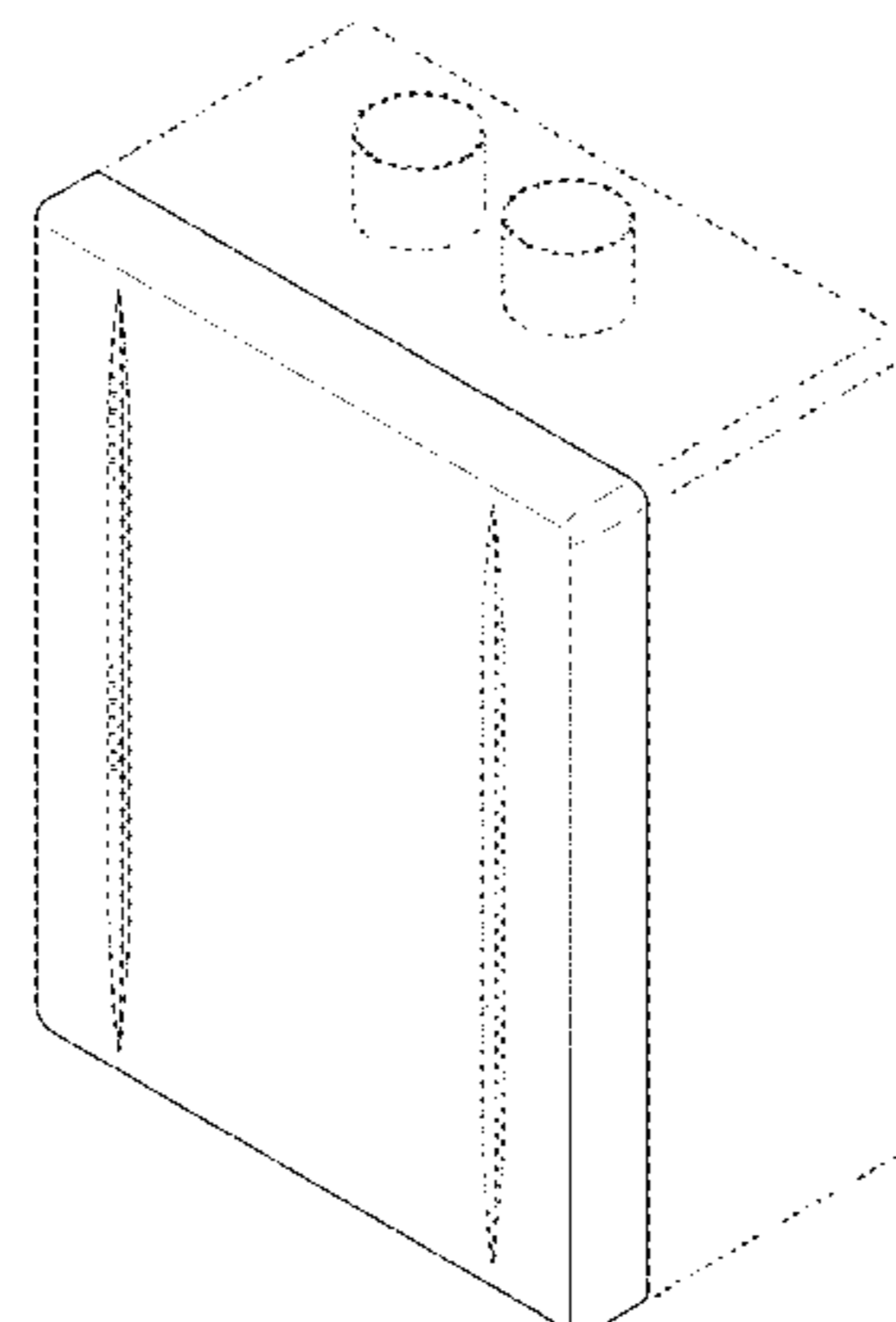
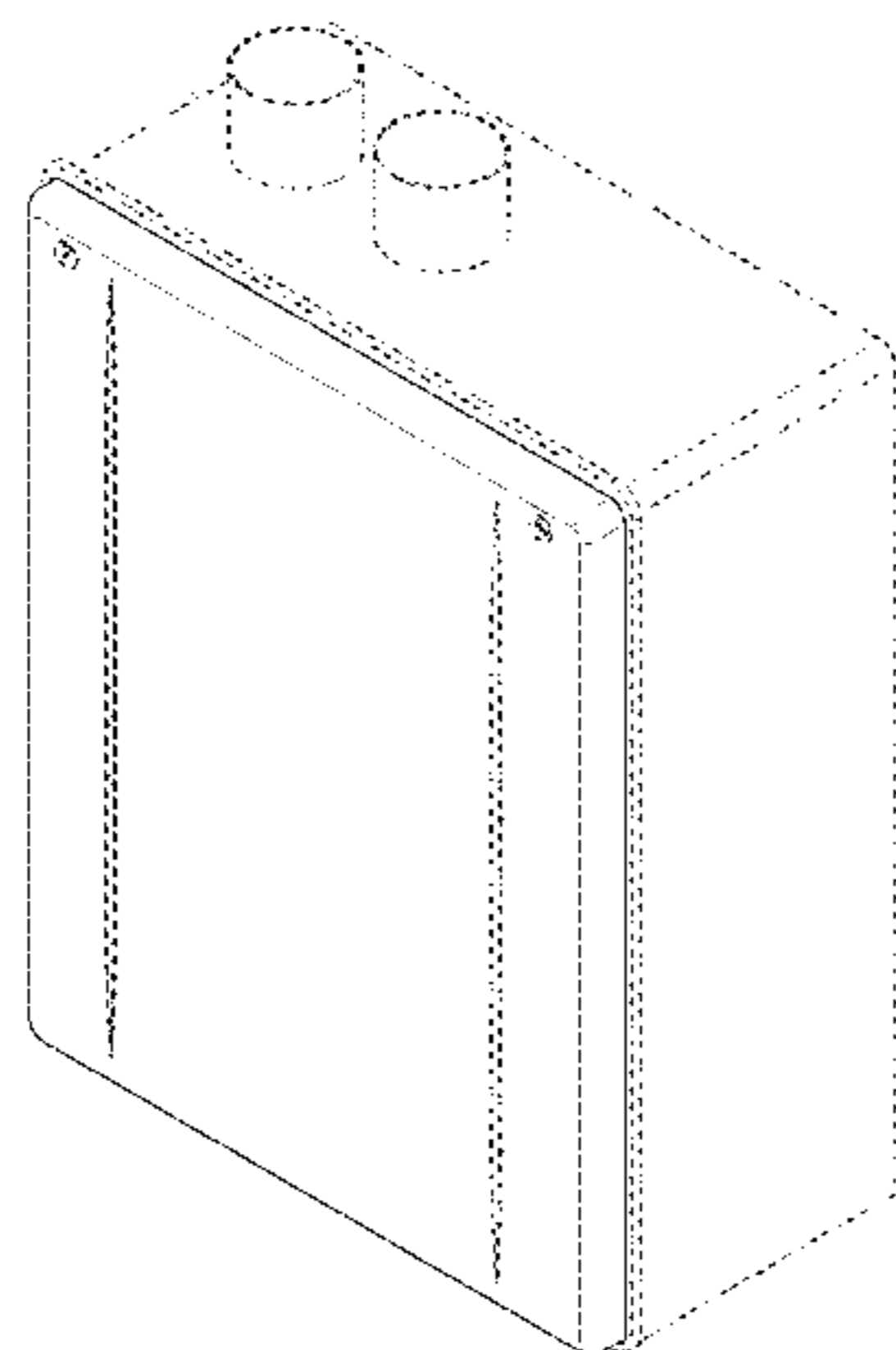


FIG. 20 is a cross sectional view in which the internal mechanism is not shown for the sake of clarity, taken along line 20-20 of FIG. 12 thereof.

The broken lines shown in the drawings represent portions of the water heater that form no part of the claimed design.

1 Claim, 16 Drawing Sheets

(58) **Field of Classification Search**

USPC D23/499; D13/184; D14/214, 221, 235, D14/240, 356, 362; D3/2, 7; D5/48; D6/536, 540, 616; D7/504, 555; D8/83; D11/131.1; D12/125, 511, 525, 543, 219; D19/40; D22/18, 124; D15/89; D9/430
 CPC F24C 7/10; F24H 9/2071; F24H 9/2064; F24H 1/06; F24H 9/2028; F24H 9/02; F24H 9/128; F24H 9/2021; F24H 9/2007; F24H 9/0005; F24H 4/00; F24H 2/142; H05B 3/78

See application file for complete search history.

(56) **References Cited**

U.S. PATENT DOCUMENTS

D258,988 S *	4/1981	Leonard	D24/147
D327,814 S *	7/1992	Graham	D7/504
5,947,272 A *	9/1999	Park	A47K 5/02 206/77.1
D425,493 S	5/2000	Cutright et al.	
D428,809 S *	8/2000	Adair	D7/504
D433,858 S *	11/2000	Gastelum	D6/540
D483,451 S	12/2003	Yamamoto et al.	
D483,452 S	12/2003	Yamamoto et al.	
D483,453 S	12/2003	Yamamoto et al.	
D483,844 S	12/2003	Yamamoto et al.	
D507,733 S *	7/2005	Liu	D8/83
D532,498 S	11/2006	Maegawa et al.	
D533,928 S	12/2006	Maegawa et al.	
D545,127 S *	6/2007	Fife	D7/504
D570,974 S	6/2008	Nanbu et al.	
D570,976 S	6/2008	Nanbu et al.	
D574,187 S *	8/2008	Jarratt	D7/504

D576,507 S *	9/2008	Farnworth	D10/71
D604,254 S	11/2009	Lanfear et al.	
D609,701 S	2/2010	Hou	
D611,692 S *	3/2010	Bizzo	D2/951
D616,536 S	5/2010	Lee	
D642,572 S *	8/2011	Kujawski	D14/402
D679,258 S	4/2013	Moore et al.	
D679,530 S *	4/2013	Gilboe	D6/540
D683,001 S	5/2013	Lee	
D687,134 S	7/2013	Lee	
D752,392 S *	3/2016	Maas	D7/553.1
D769,429 S	10/2016	Buettner et al.	
D773,020 S	11/2016	Buettner et al.	
D779,270 S *	2/2017	Hogan	D7/504
D783,793 S	4/2017	Satou et al.	
D787,294 S *	5/2017	Bast	D8/107
D790,248 S *	6/2017	Clark	D6/536
D802,548 S	11/2017	Schmid	
D804,623 S	12/2017	Yamaguchi et al.	
D809,492 S *	2/2018	Moon	D14/240
D810,259 S *	2/2018	You	D23/364
D816,063 S *	4/2018	Choi	D14/214
D817,306 S *	5/2018	Jang	D14/214
2007/0126320 A1	6/2007	Huang	
2011/0180019 A1	7/2011	Hsu	

OTHER PUBLICATIONS

An Office Action issued by the United States Patent and Trademark Office dated Dec. 19, 2017, which corresponds to U.S. Appl. No. 29/582,823 and is related to U.S. Appl. No. 29/582,824.
 Noritz, Products NRCB199, Publication date unknown, Available on the Internet URL <http://www.noritz.com/products/nrcb199/>.
 An Office Action issued by the U.S. Patent Office dated Sep. 5, 2018, which corresponds to U.S. Appl. No. 29/636,220 and is related to U.S. Appl. No. 29/582,824.
 Noritz website, NRCB-180, Publication date unknown, [site visited Aug. 6, 2018], Available on the Internet URL <http://www.noritz.com/products/nrcb180/>.
 An Office Action issued by the U.S. Patent Office dated Aug. 10, 2018, which corresponds to U.S. Appl. No. 29/636,222 and is related to U.S. Appl. No. 29/582,824.
 An Office Action issued by the U.S. Patent Office dated Aug. 23, 2018, which corresponds to U.S. Appl. No. 29/636,217 and is related to U.S. Appl. No. 29/582,824.

* cited by examiner

FIG. 1

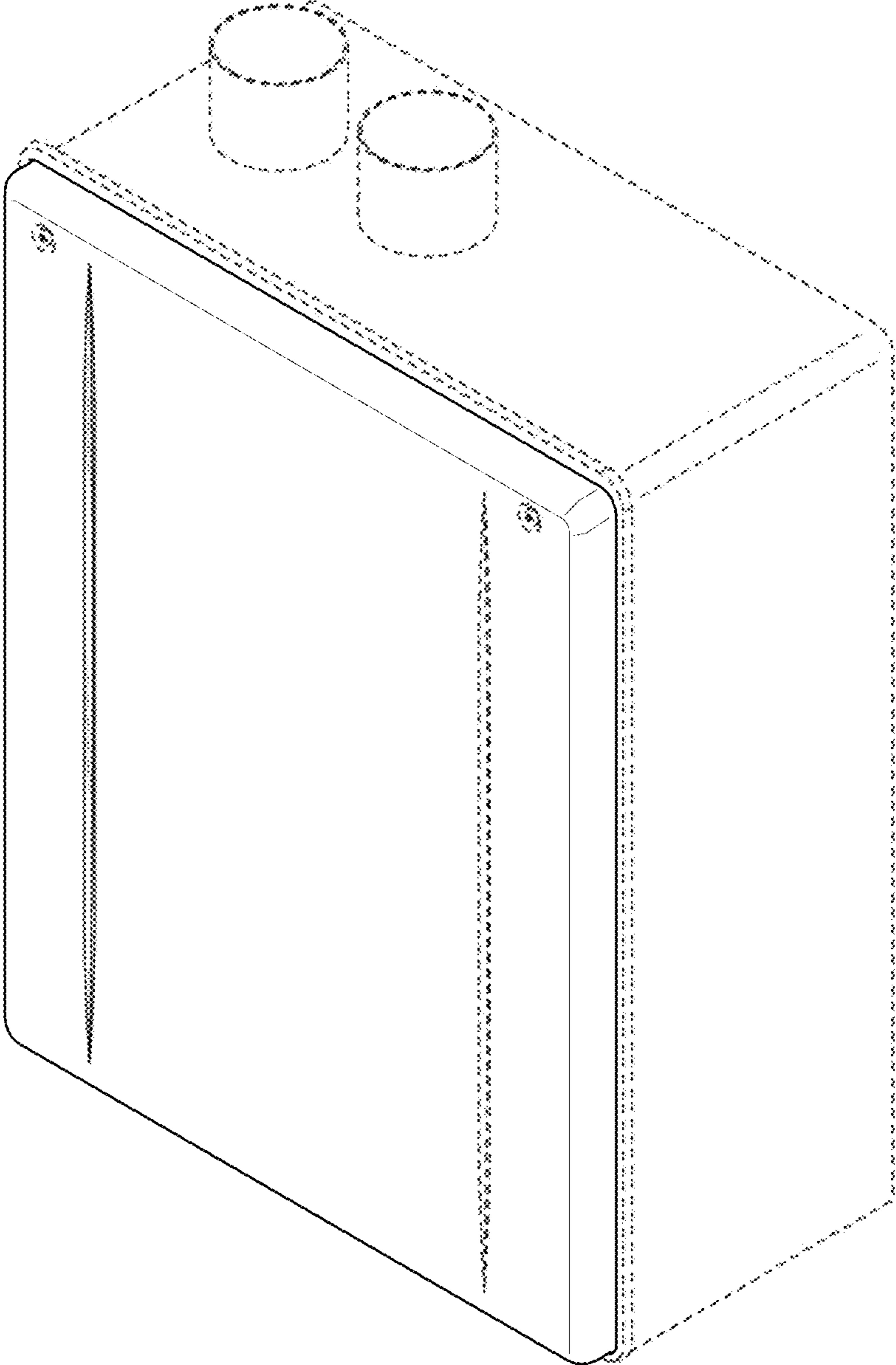


FIG. 2

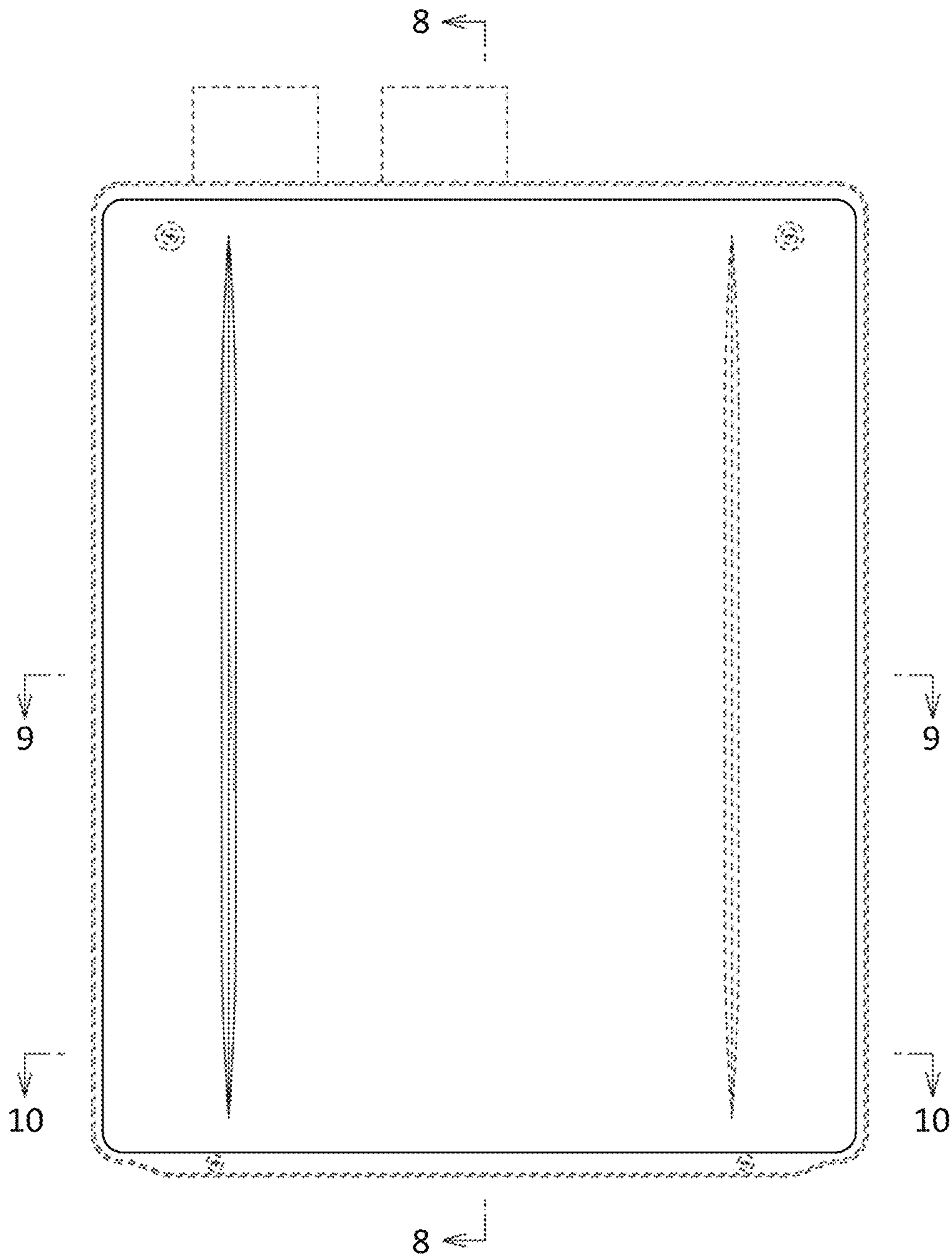


FIG.3

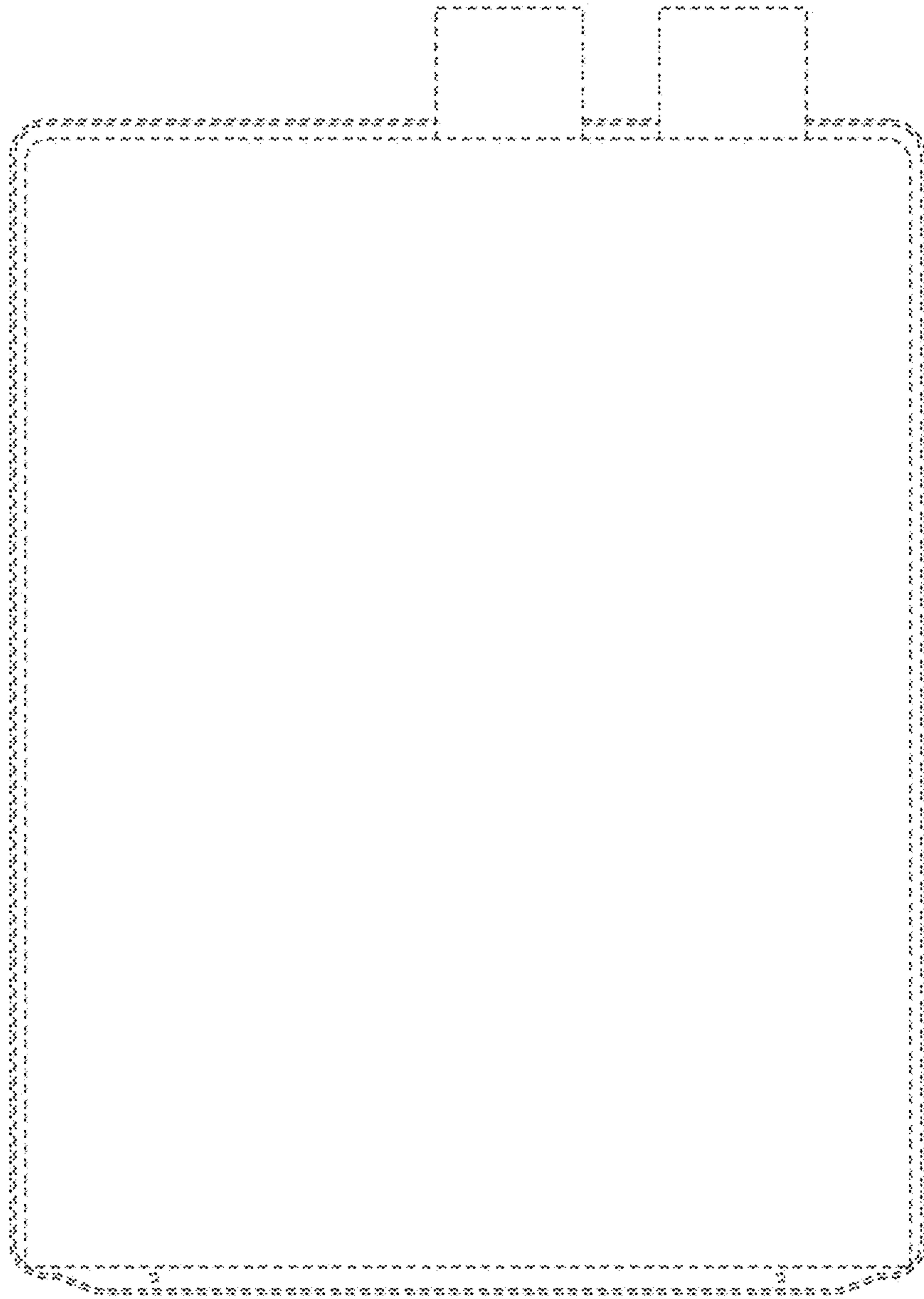


FIG.4

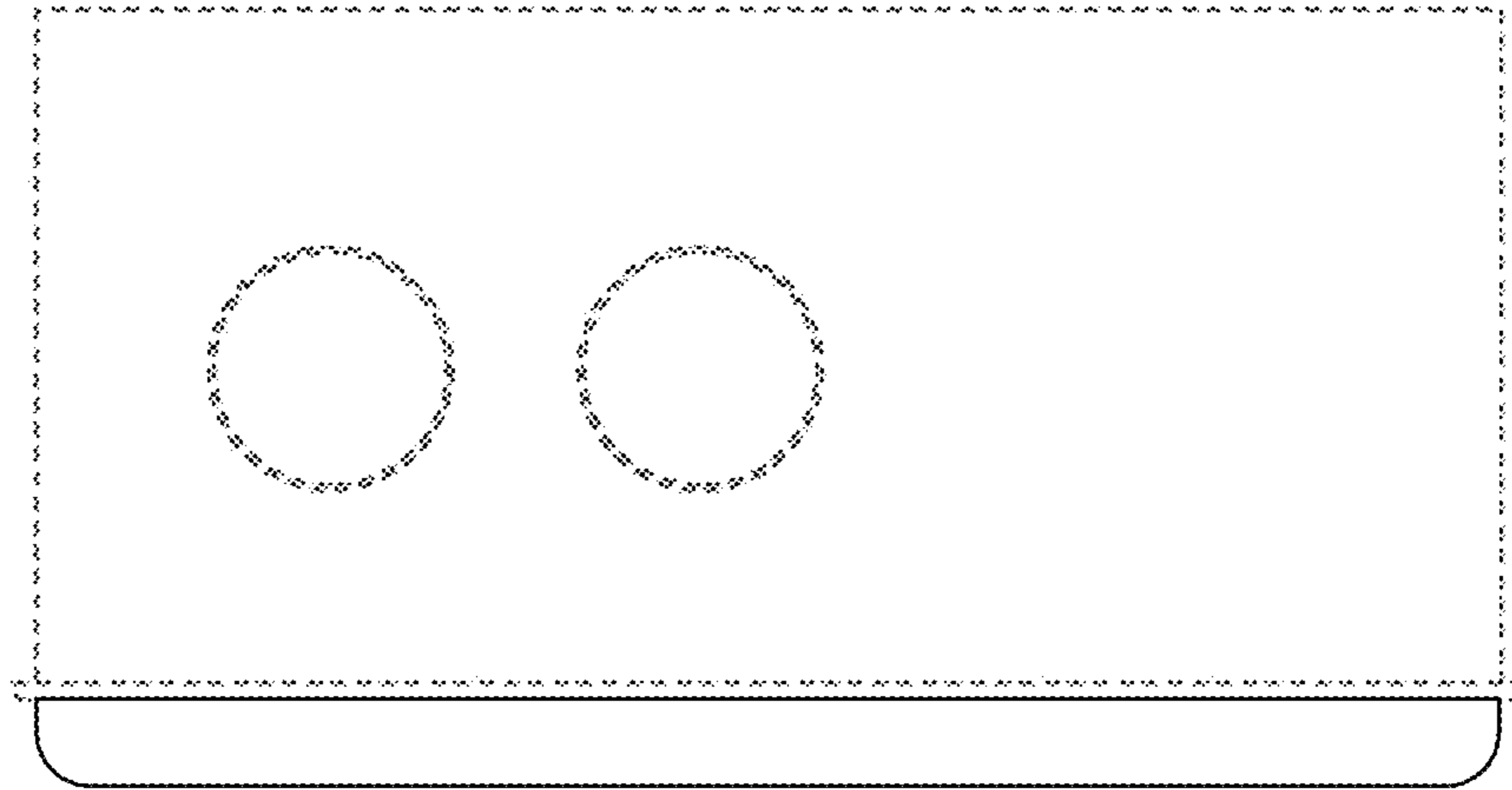


FIG.5

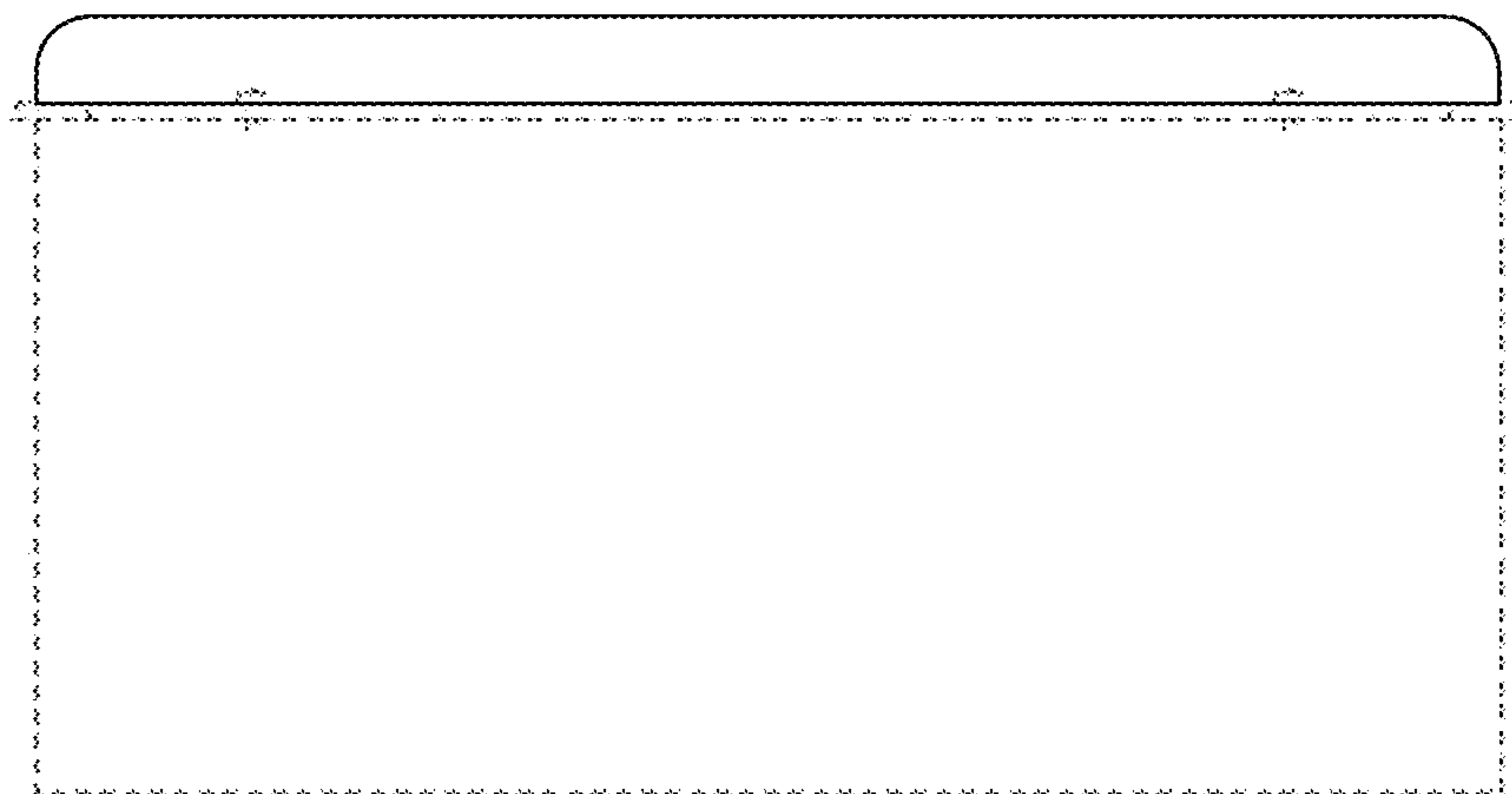


FIG.6

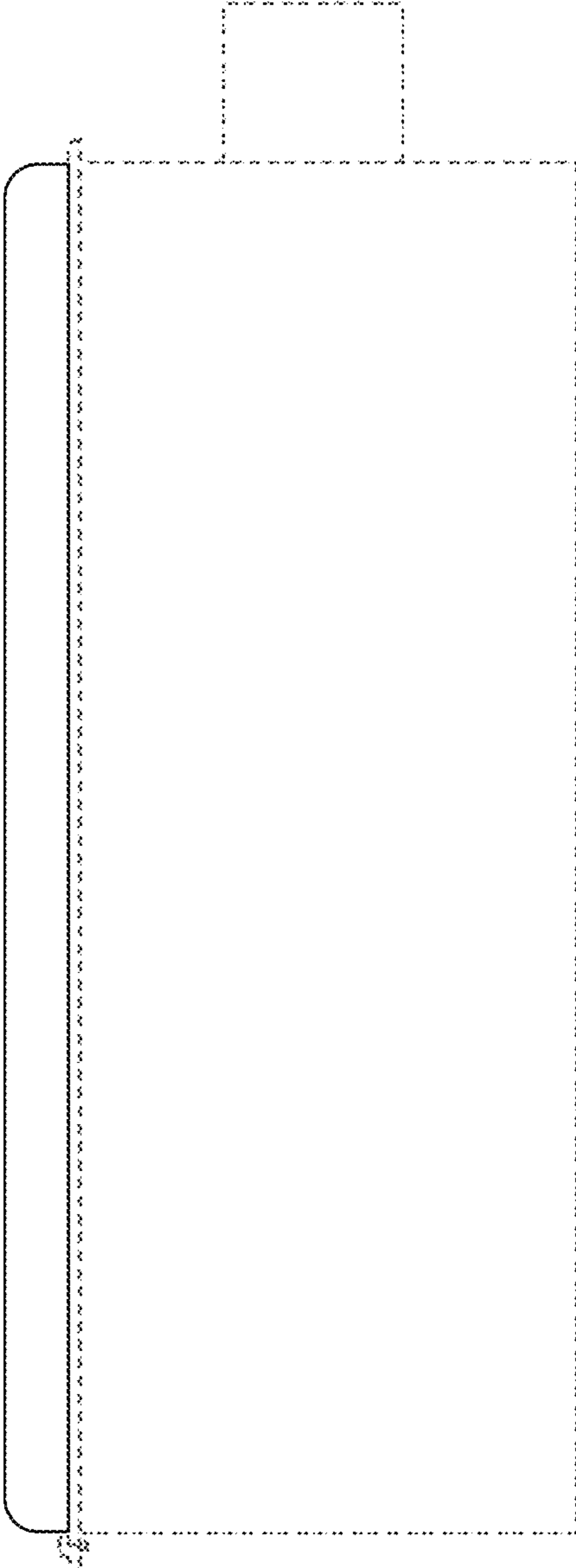


FIG. 7

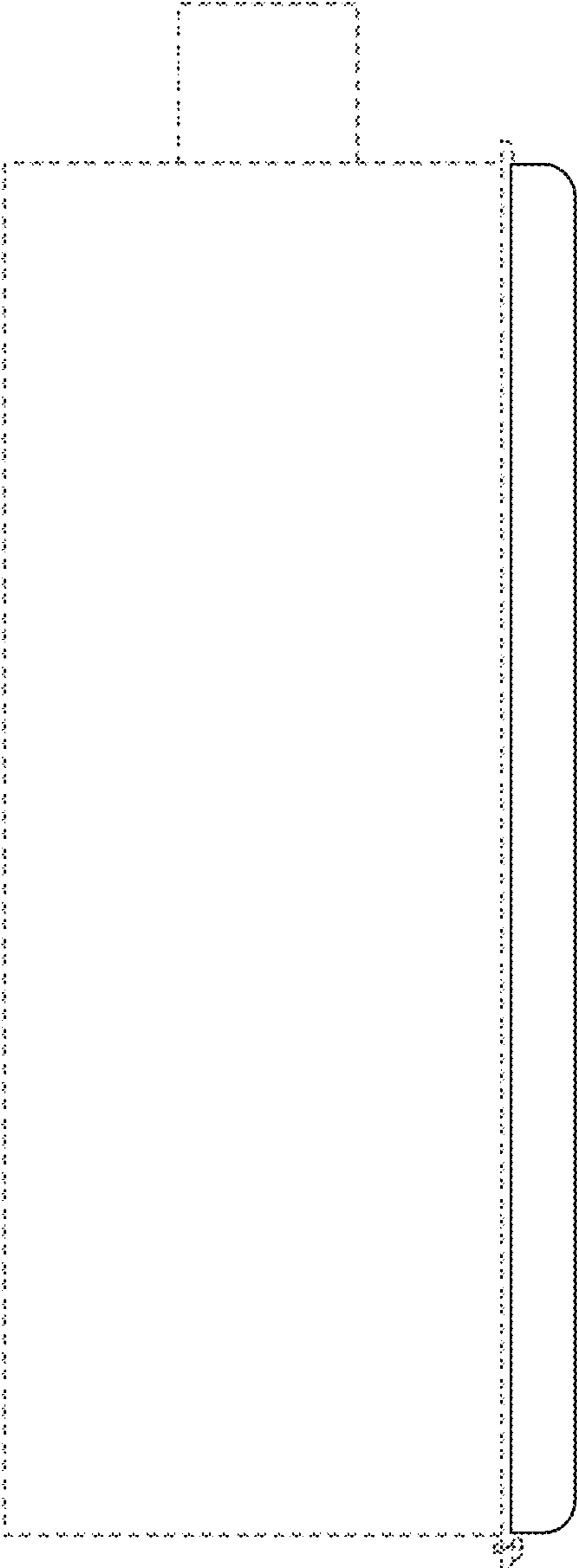


FIG. 8

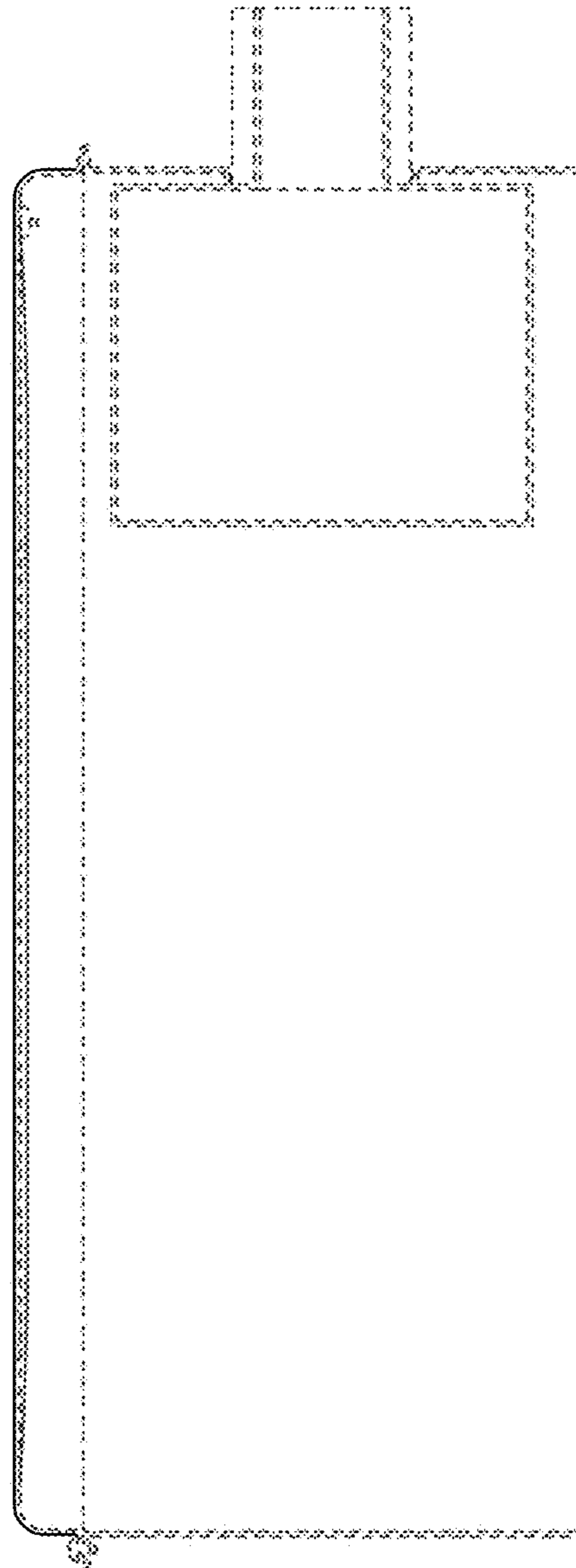


FIG.9



FIG.10



FIG. 11

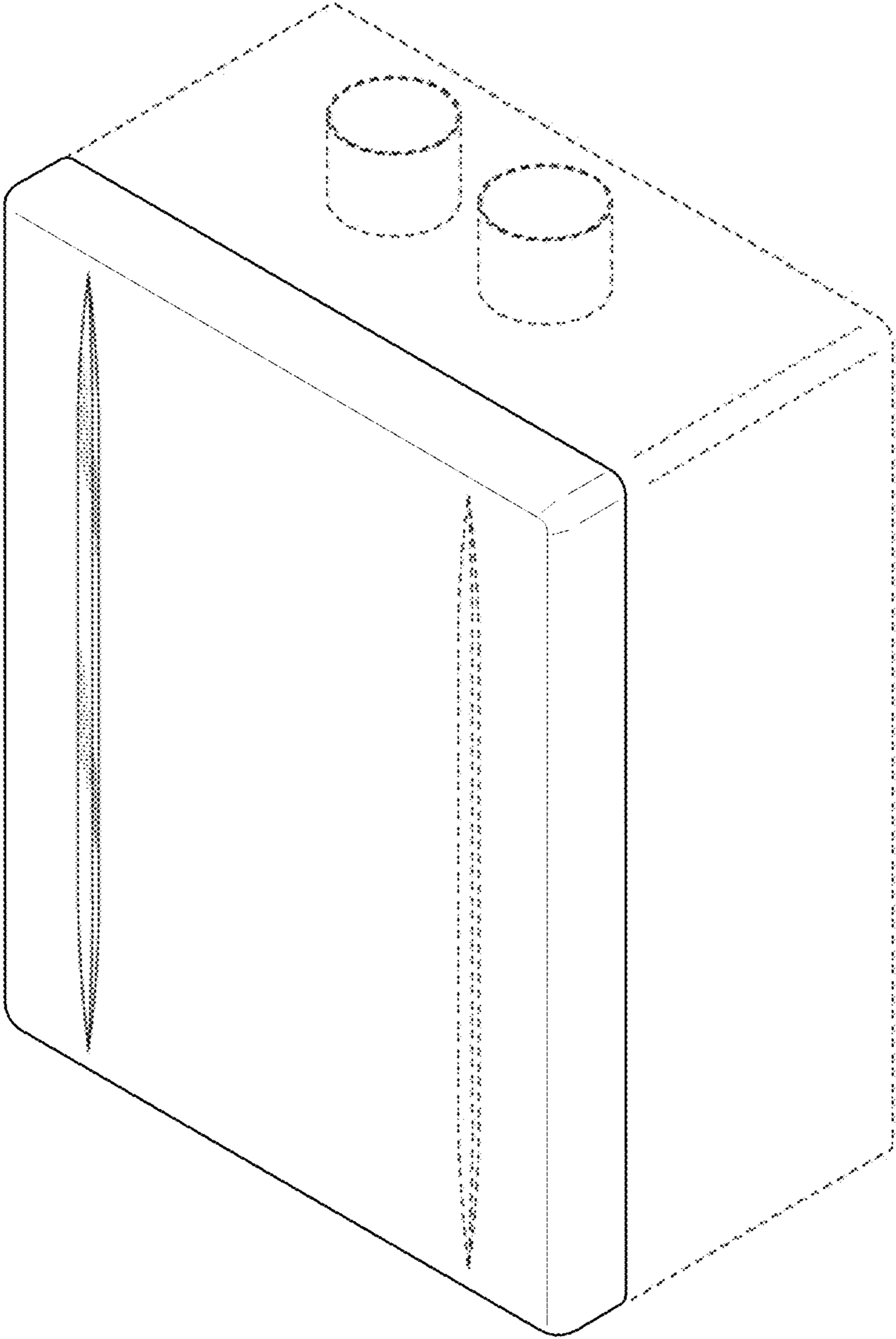


FIG. 12

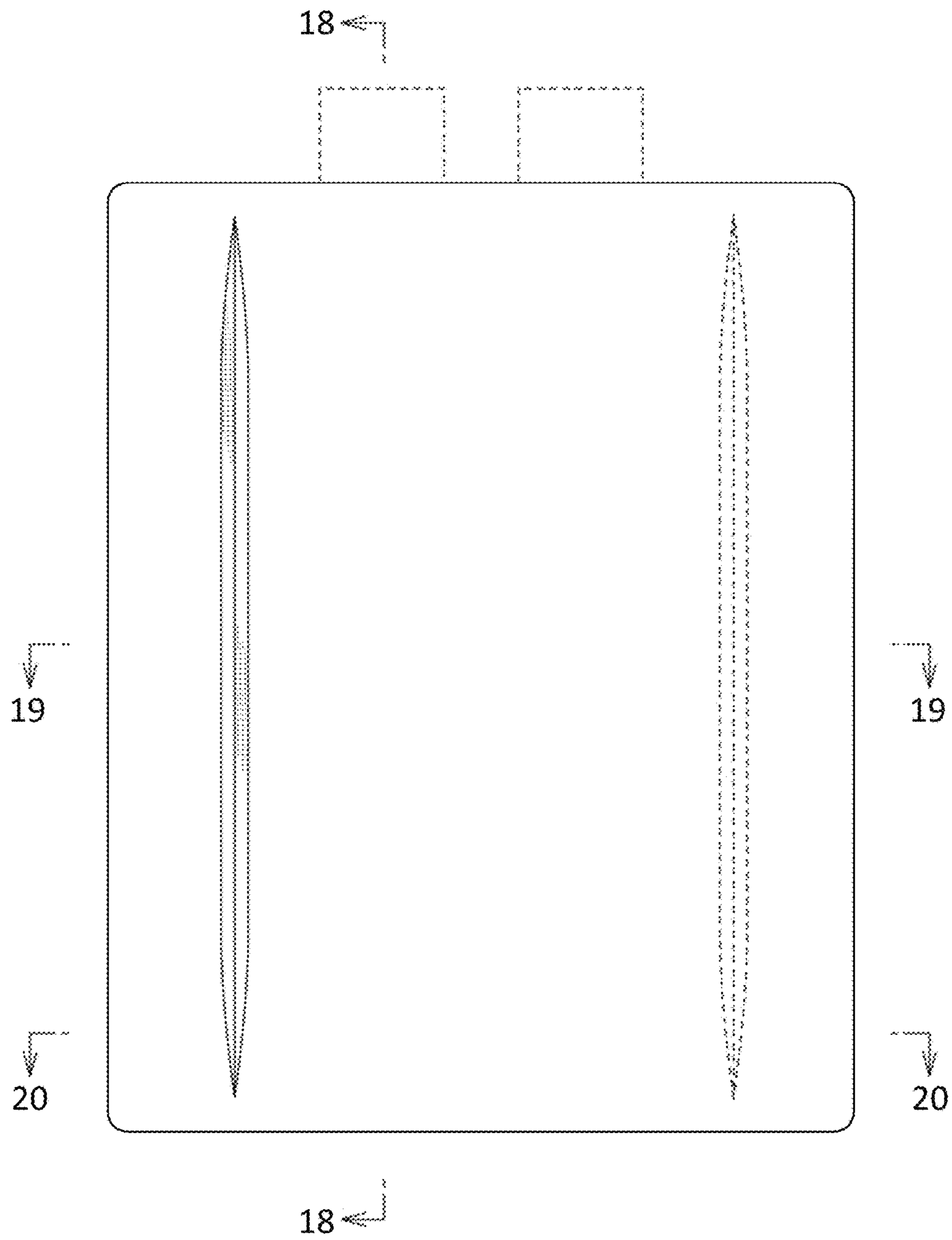


FIG. 13



FIG. 14

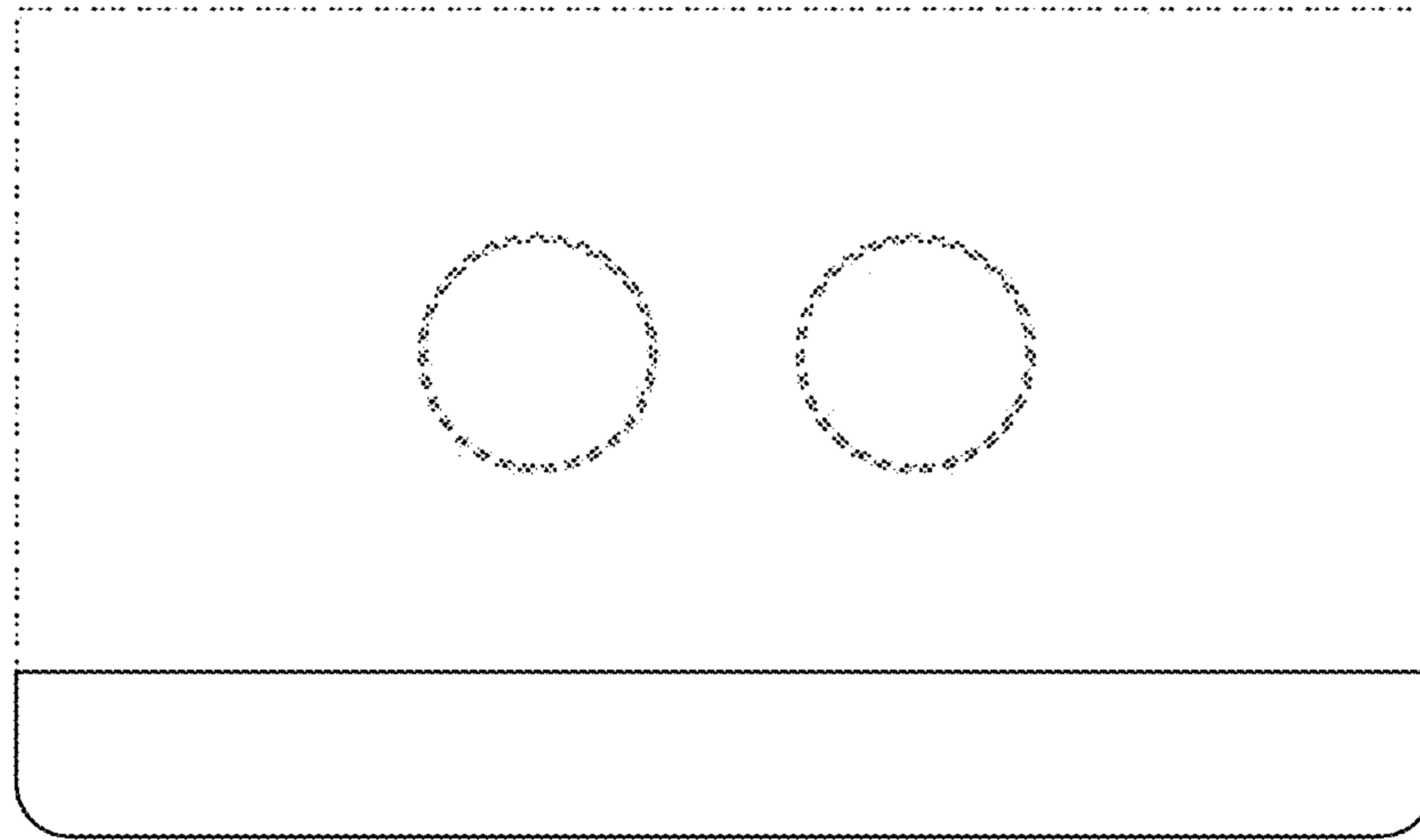


FIG. 15

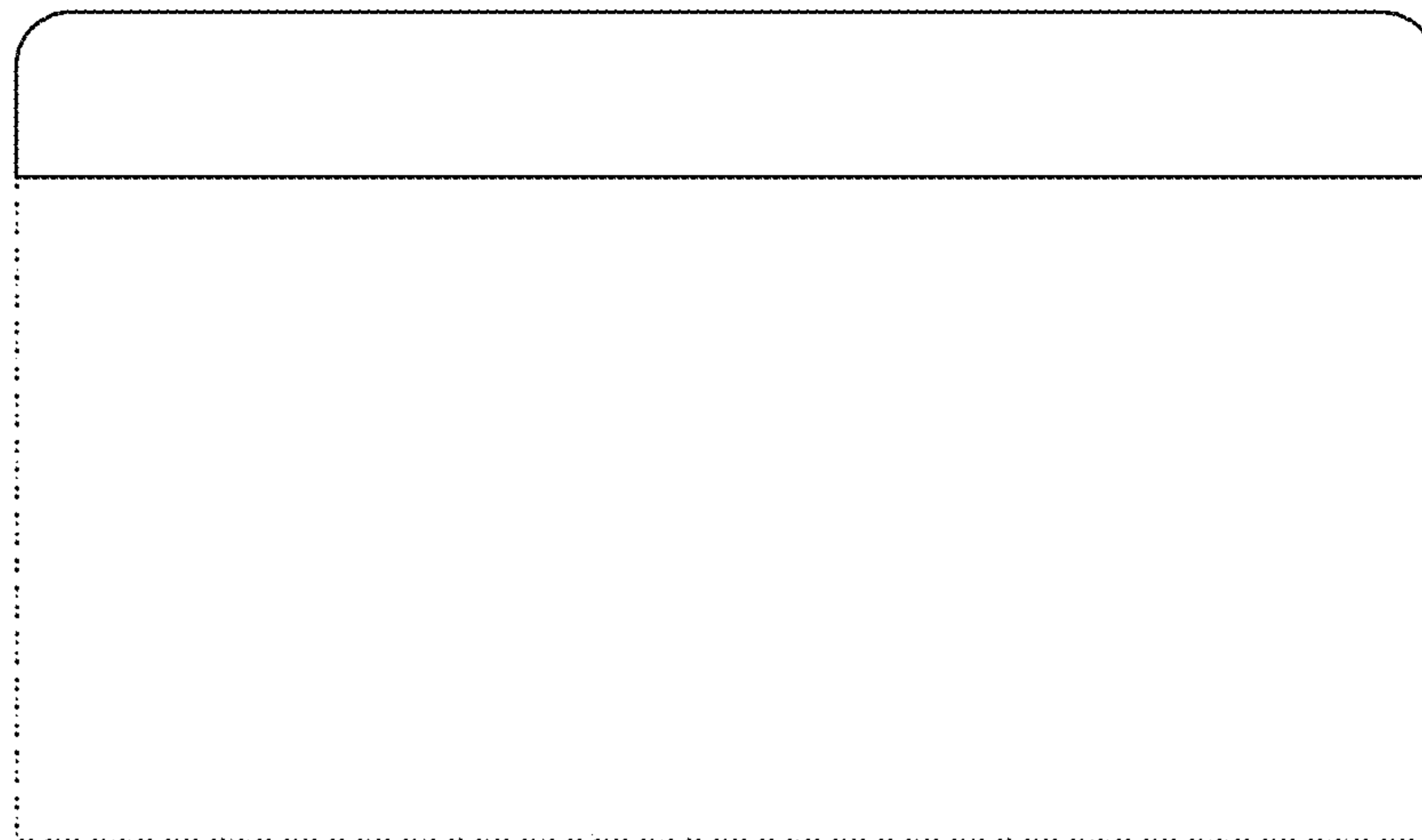


FIG. 16

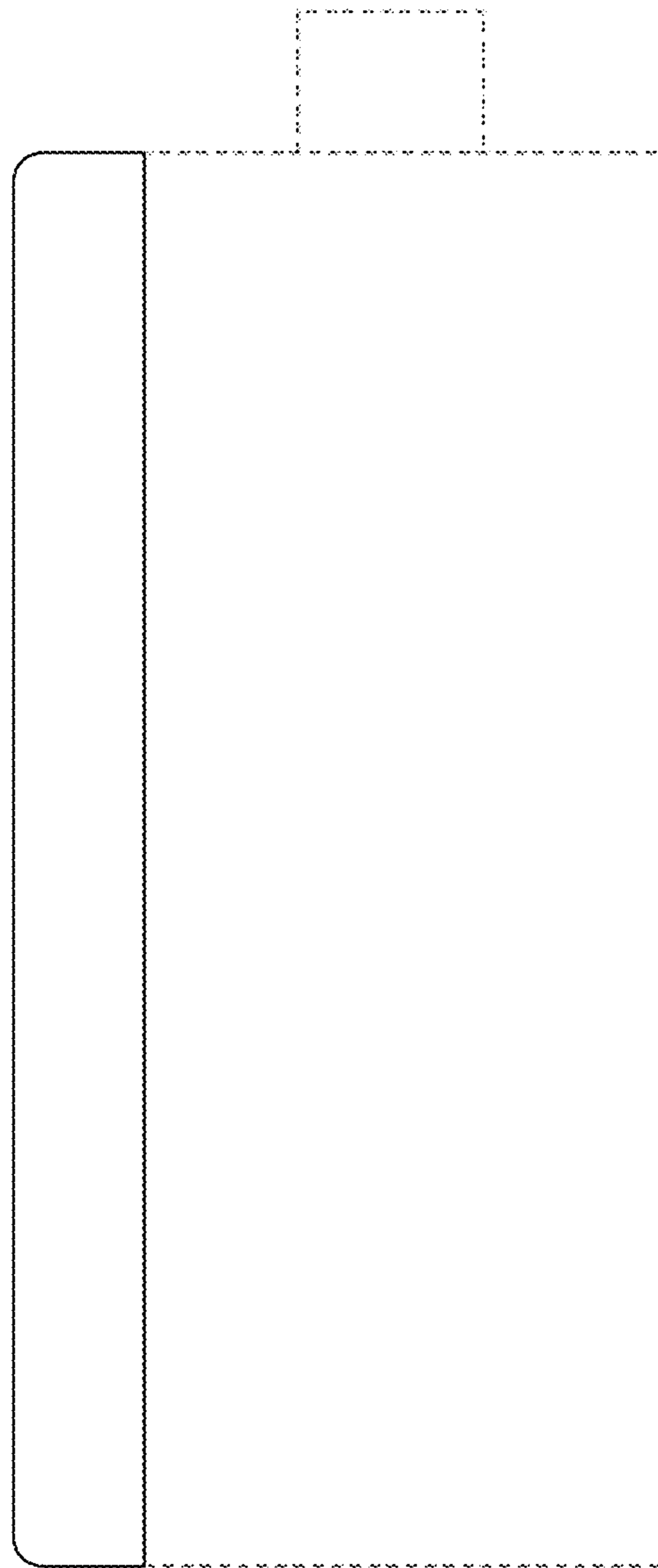


FIG.17

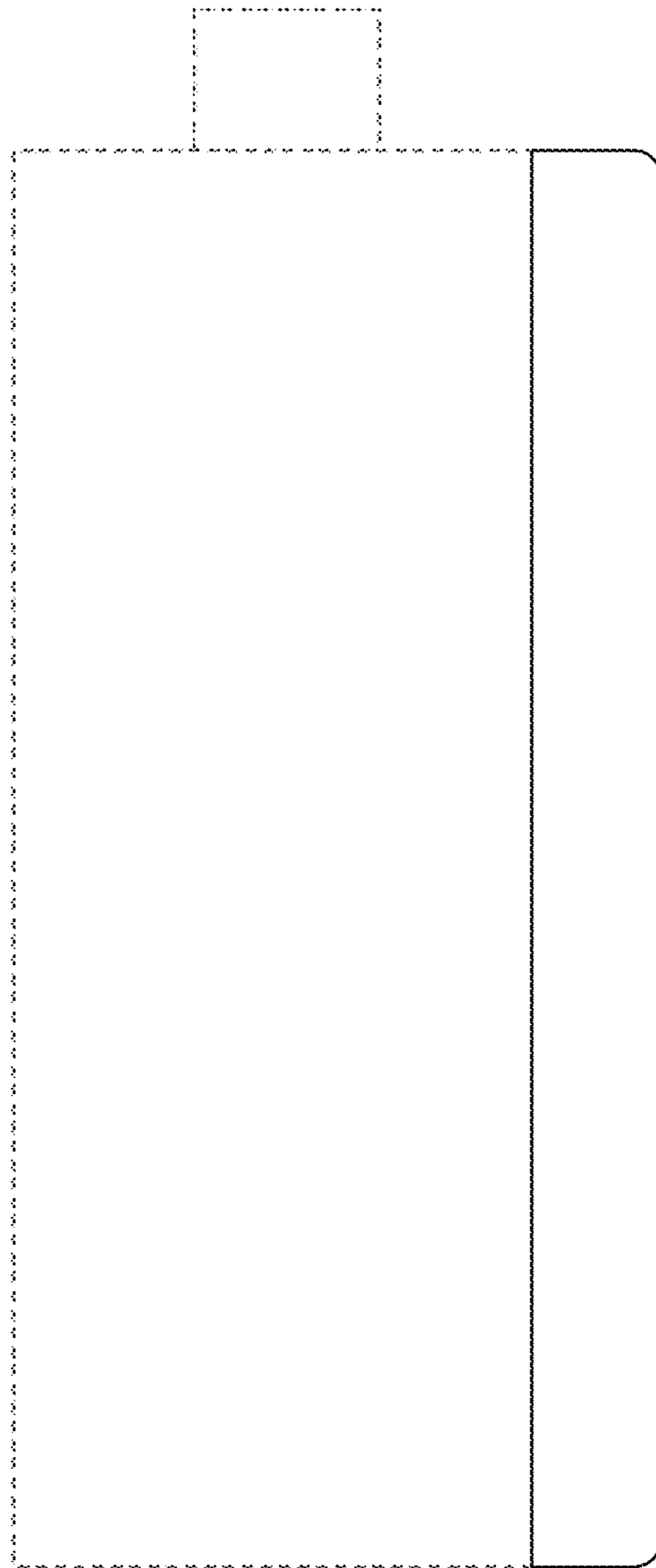


FIG. 18

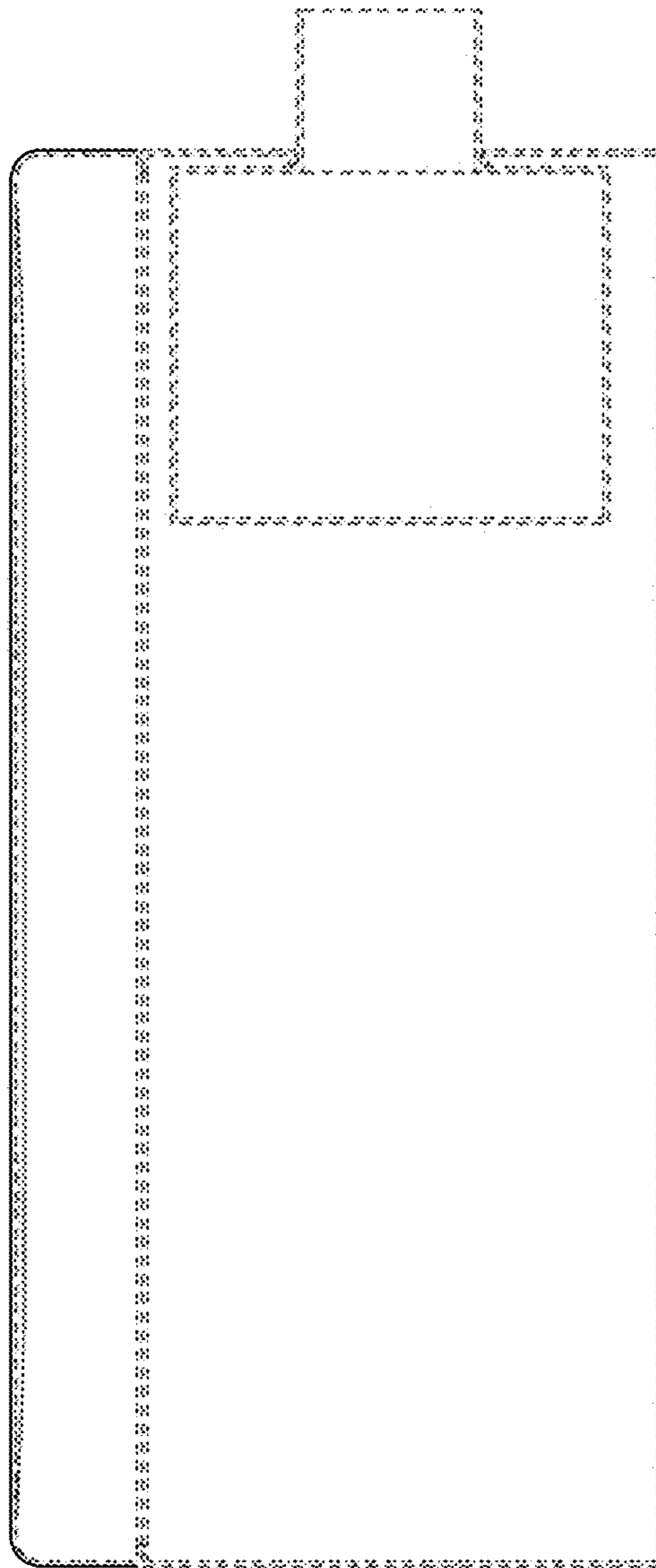


FIG.19



FIG.20

