



US00D855158S

(12) **United States Design Patent** (10) **Patent No.:** **US D855,158 S**
Eads (45) **Date of Patent:** **** Jul. 30, 2019**

(54) **FAUCET**

(71) Applicant: **DELTA FAUCET COMPANY,**
Indianapolis, IN (US)

(72) Inventor: **Thad Eads,** Urbana, IN (US)

(73) Assignee: **DELTA FAUCET COMPANY,**
Indianapolis, IN (US)

(**) Term: **15 Years**

(21) Appl. No.: **29/644,346**

(22) Filed: **Apr. 17, 2018**

(51) **LOC (11) Cl.** **23-01**

(52) **U.S. Cl.**
USPC **D23/238**

(58) **Field of Classification Search**
USPC D23/238-245, 249-250, 252, 254-255,
D23/257; 4/675-678; D8/307-308
CPC Y10T 137/9464
See application file for complete search history.

(56) **References Cited**

U.S. PATENT DOCUMENTS

D575,849 S *	8/2008	Ko	D23/238
D601,682 S *	10/2009	Schoenherr	D23/328
D601,683 S *	10/2009	Schoenherr	D23/328
D712,514 S *	9/2014	Citterio	D23/238
D713,008 S *	9/2014	Citterio	D23/238
D721,790 S *	1/2015	Bahler	D23/238
D732,144 S *	6/2015	Bahler	D23/257
D746,414 S *	12/2015	Georgeson	D23/257
D752,717 S *	3/2016	Eads	D23/238
D809,107 S *	1/2018	Schoenherr	D23/255
D841,129 S *	2/2019	Garland	D23/238

OTHER PUBLICATIONS

Delta Tesla Single Hole Single-Handle Bathroom Faucet with Metal Drain Assembly, Earliest Review Apr. 13, 2016, [Visited Online Feb. 26, 2019], <https://www.homedepot.com/p/Delta-Tesla-Single-Hole-Single-Handle-Bathroom-Faucet-with-Metal-Drain-Assembly-in-Chrome-552LF-MPU/206389739>.*

* cited by examiner

Primary Examiner — Eric L Goodman

Assistant Examiner — Amy C Wierenga

(74) *Attorney, Agent, or Firm* — Edgar A. Zarins; Nirav D. Parikh

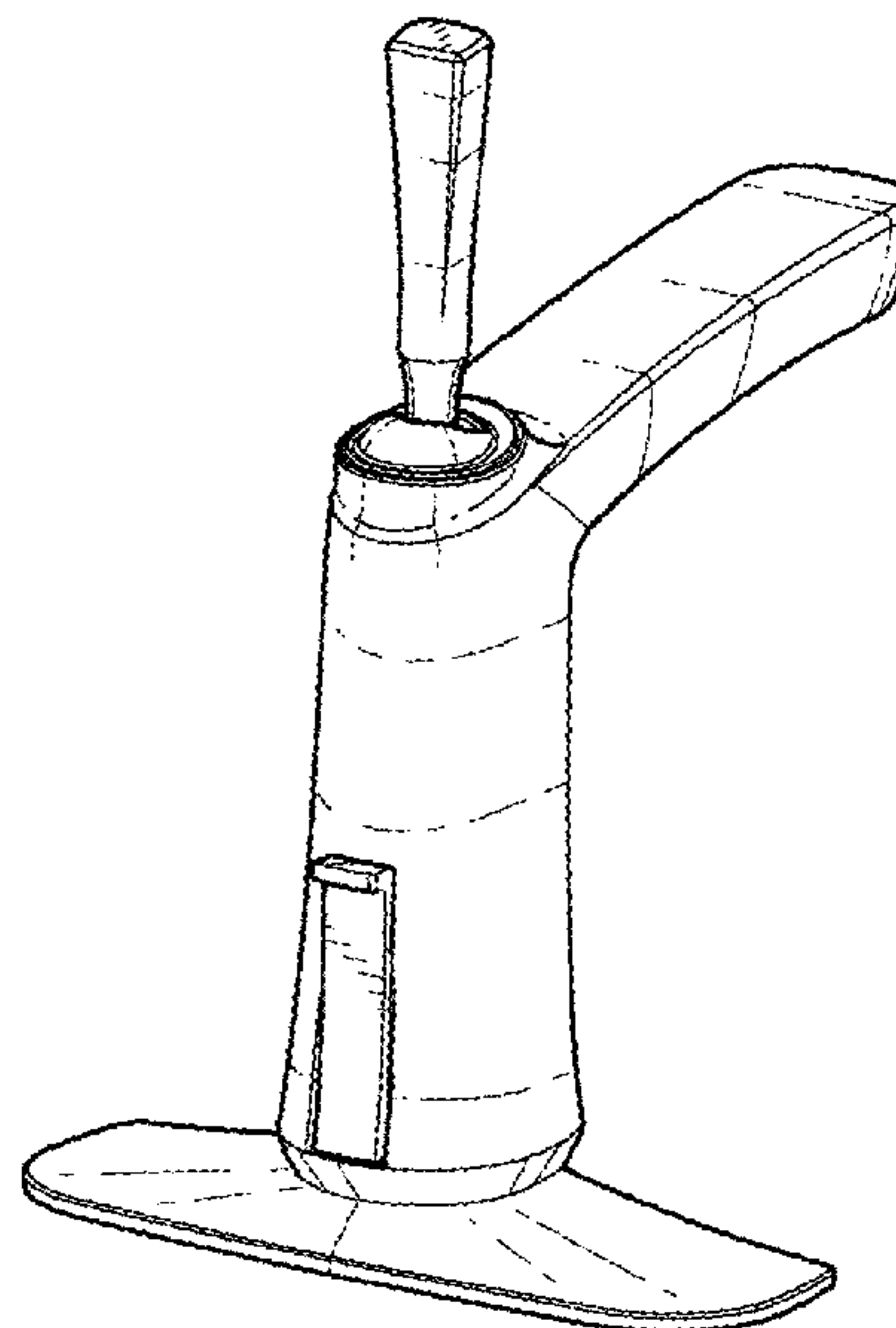
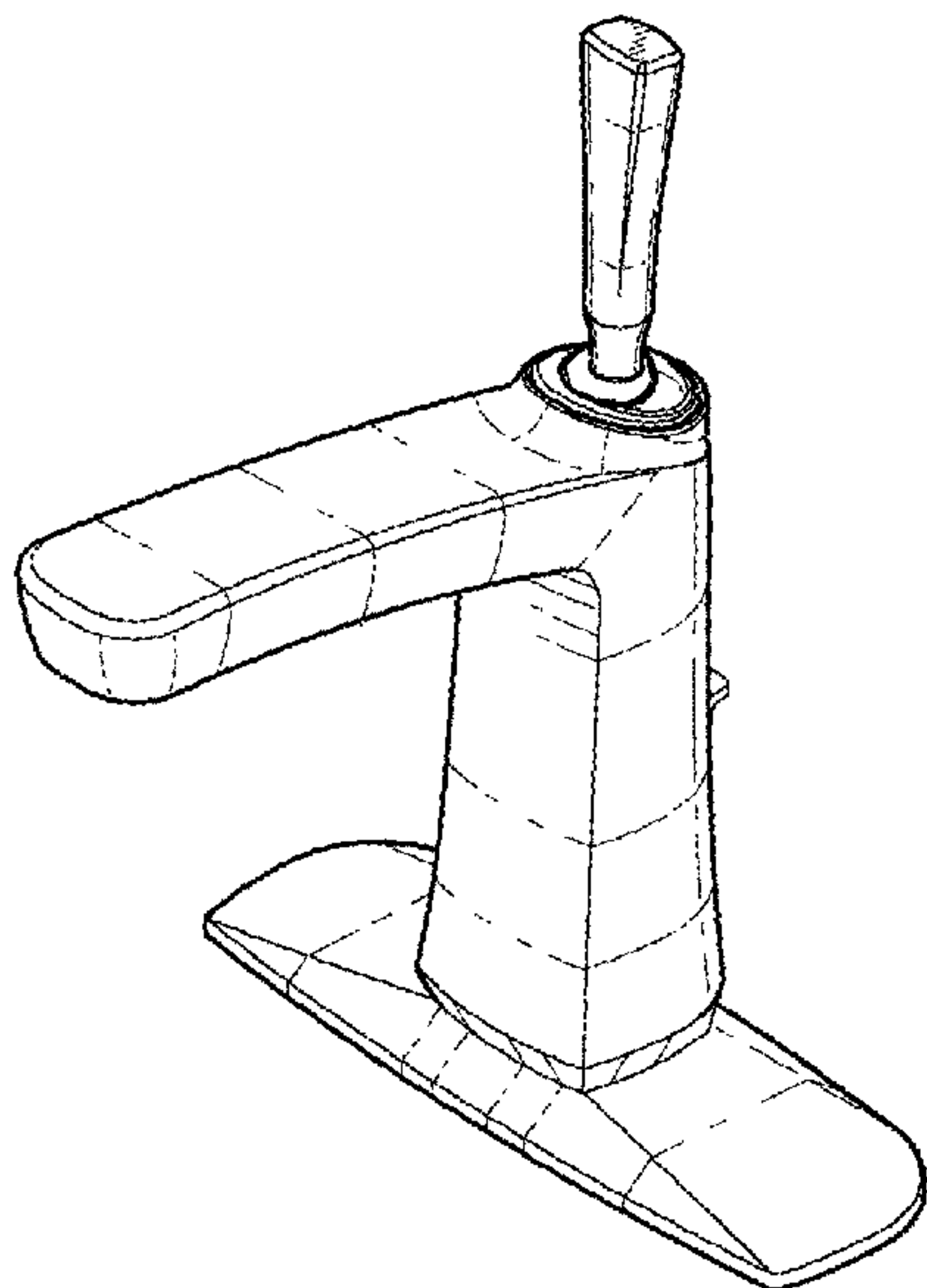
(57) **CLAIM**

The ornamental design for a faucet, as shown and described.

DESCRIPTION

FIG. 1 is a front perspective view of a faucet showing my new design;
FIG. 2 is a rear perspective view thereof;
FIG. 3 is a top plan view thereof;
FIG. 4 is a bottom view thereof;
FIG. 5 is a right side view thereof, the opposite side being a mirror image of the side shown;
FIG. 6 is a rear view thereof; and,
FIG. 7 is a front elevational view thereof.
The broken line disclosure shown in FIG. 4 on the underneath side of the spout represents aerator portions of the faucet that form no part of the claim. All other broken lines shown in FIG. 4 represent portions of the faucet that form no part of the claim.

1 Claim, 3 Drawing Sheets



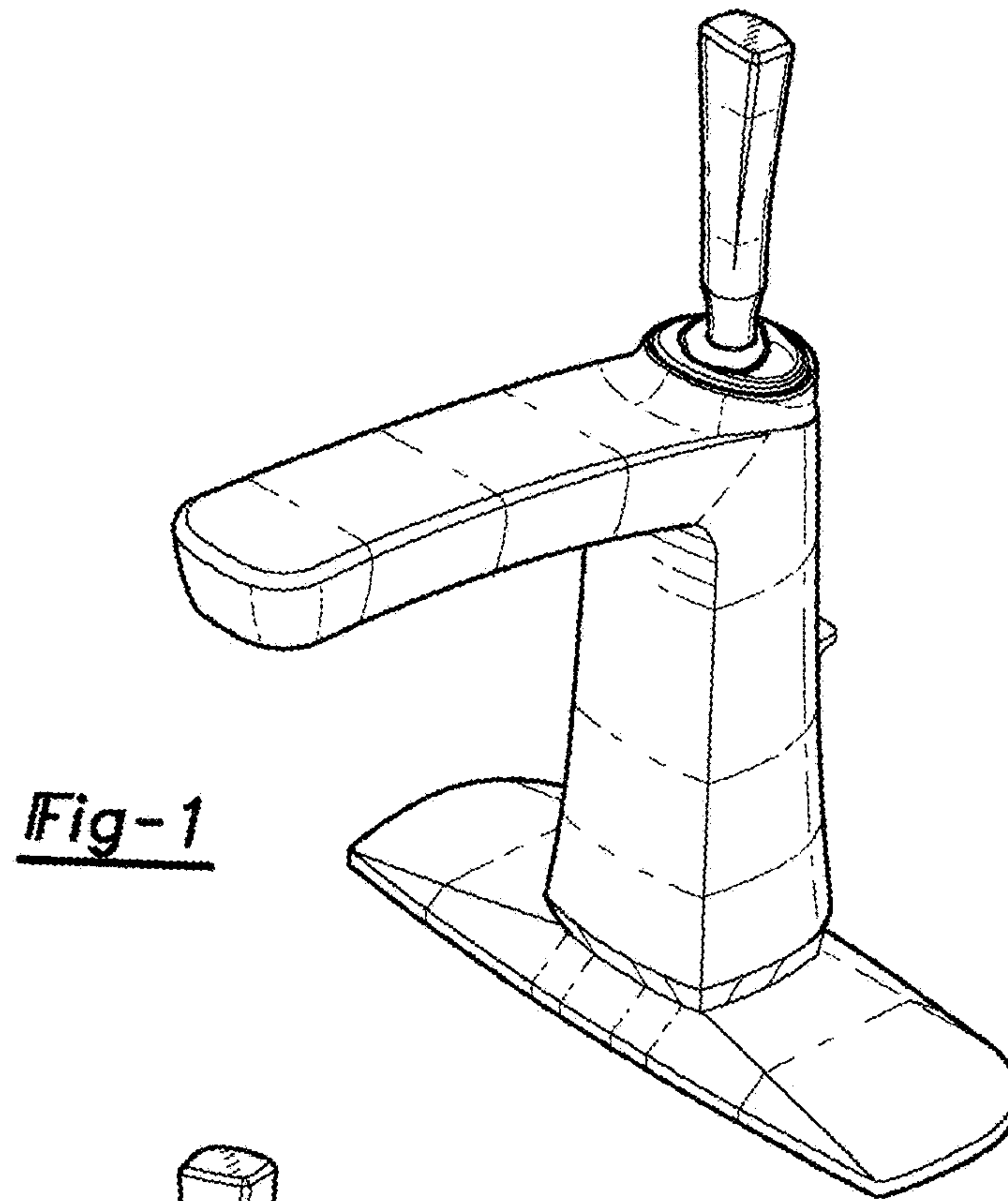


Fig-1

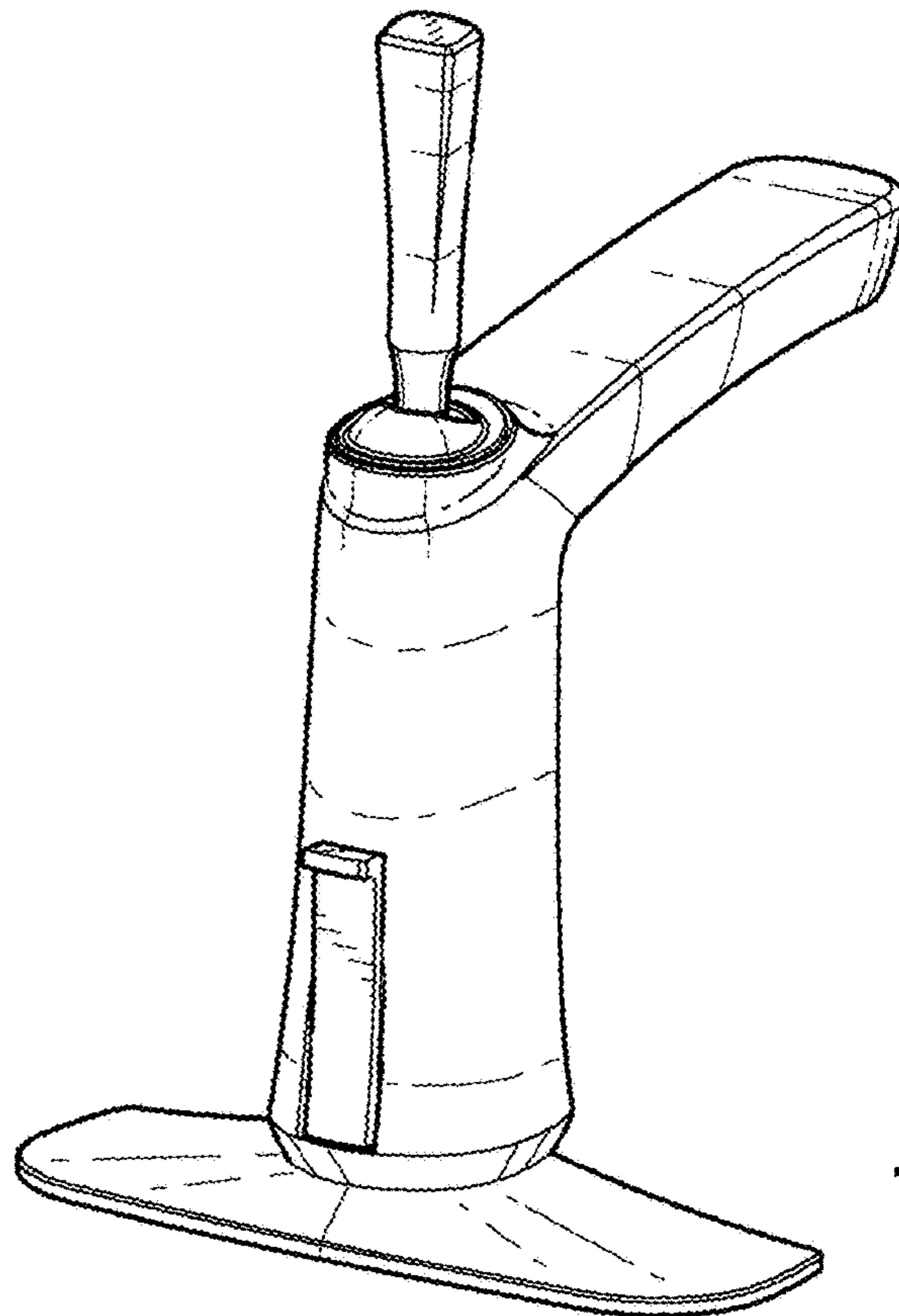


Fig-2

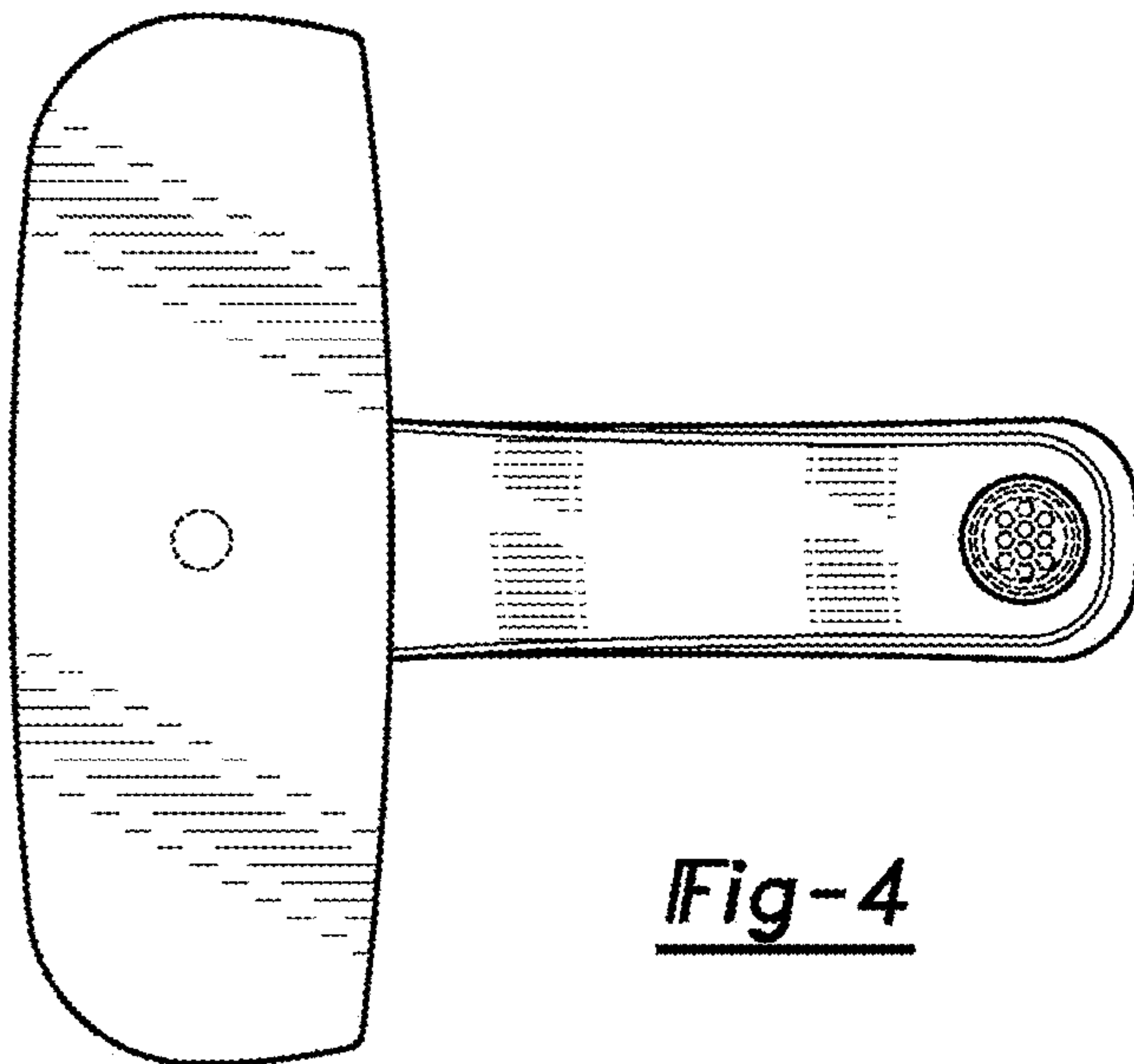
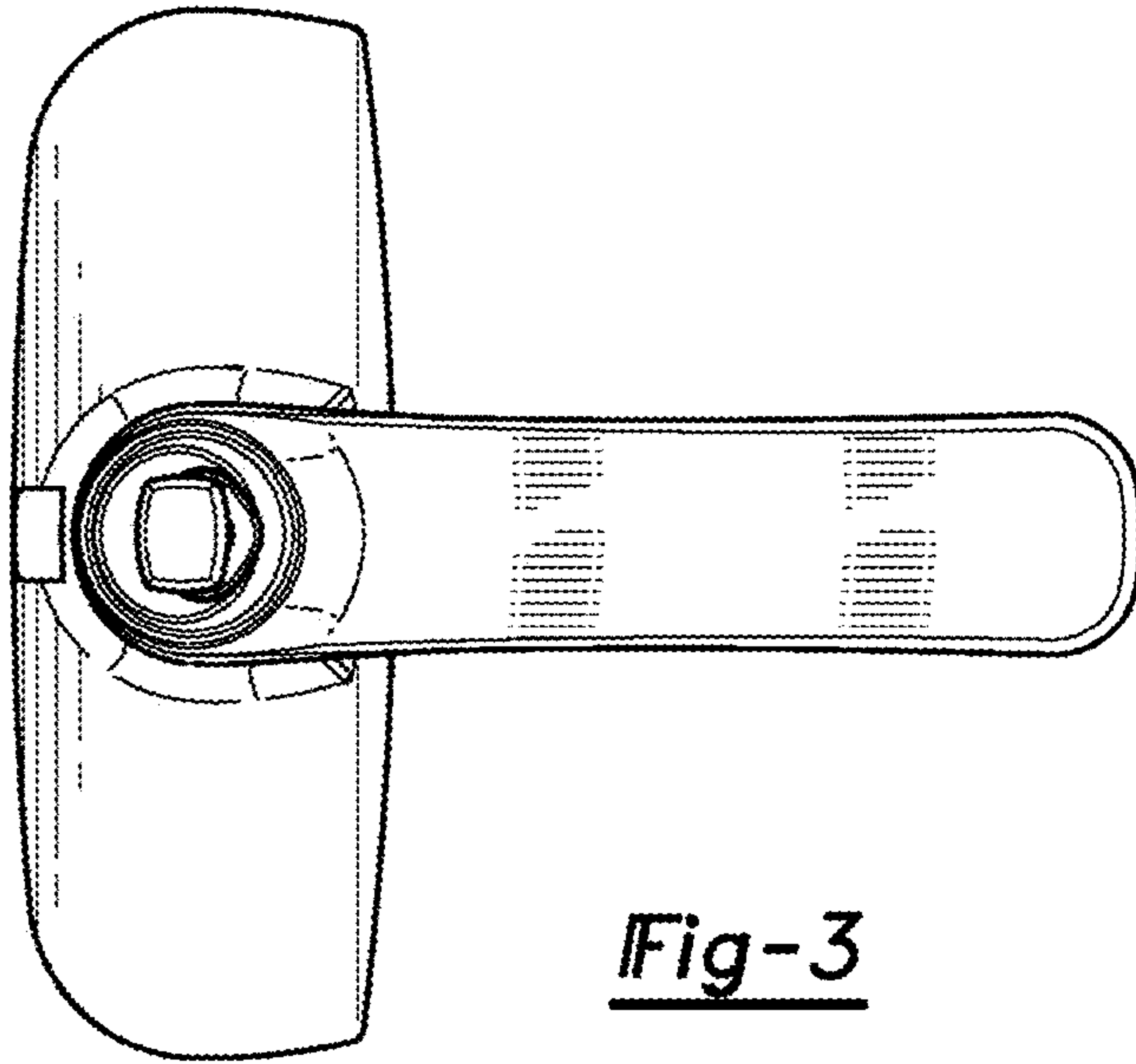


Fig-5

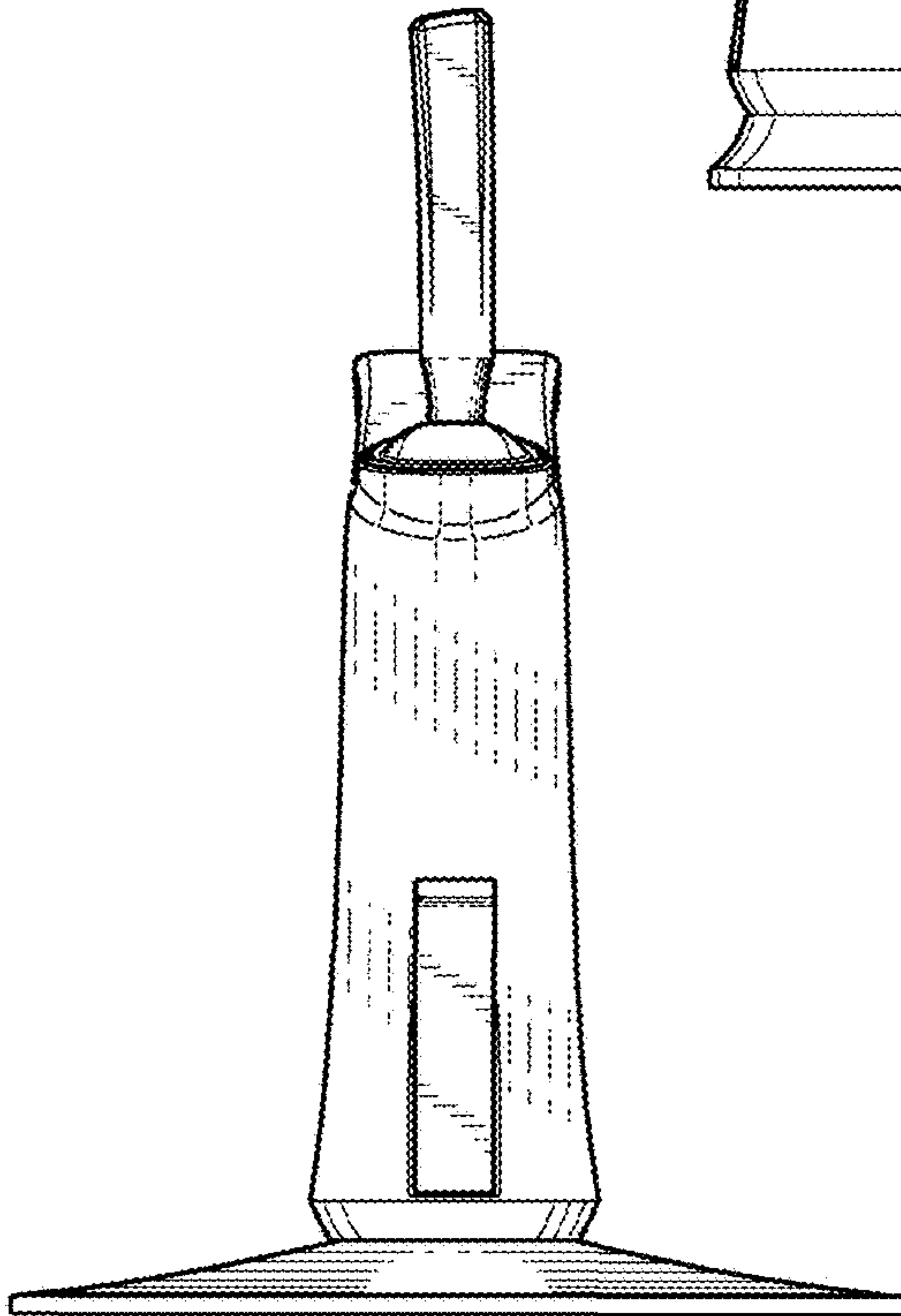
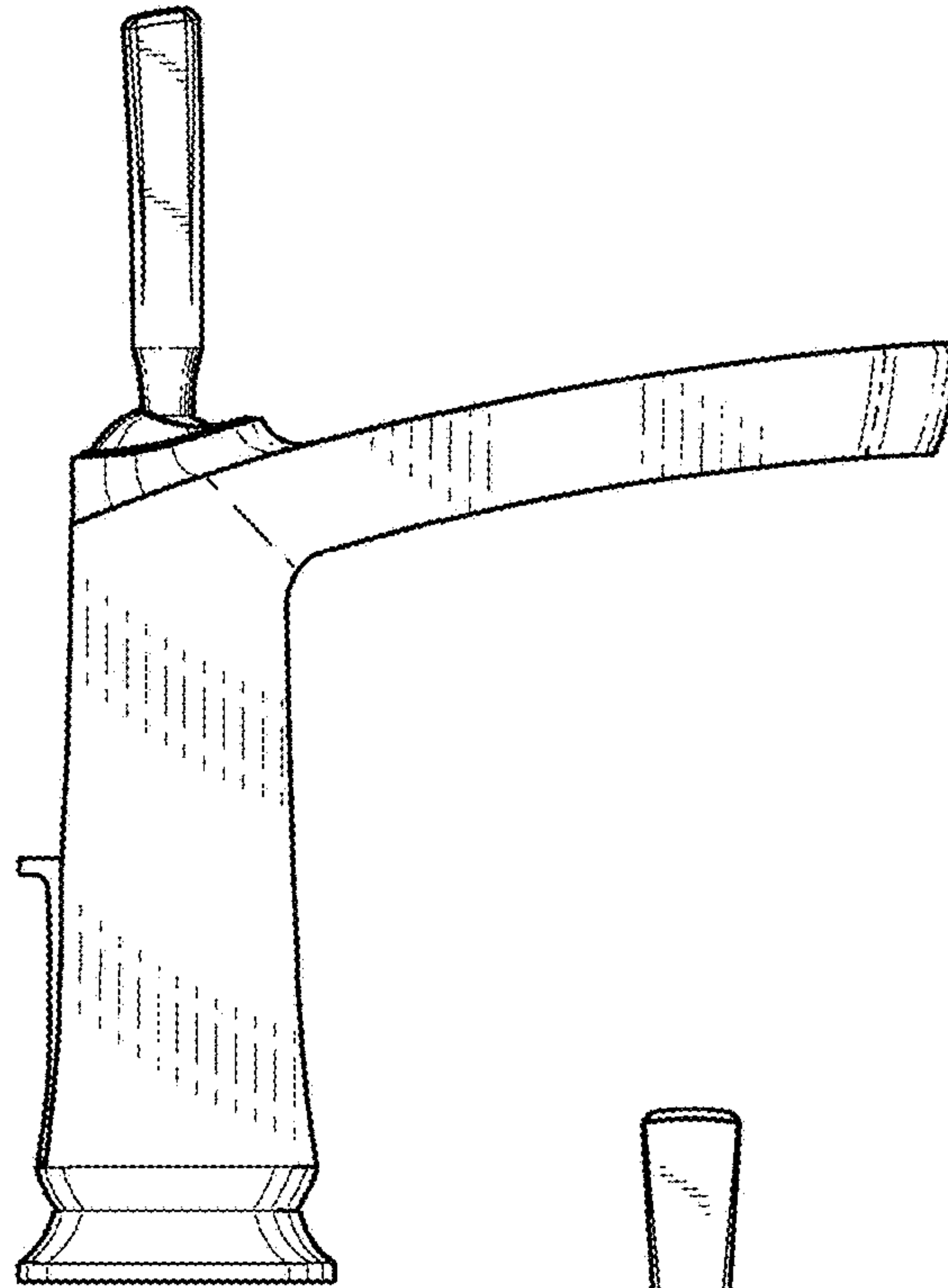


Fig-6

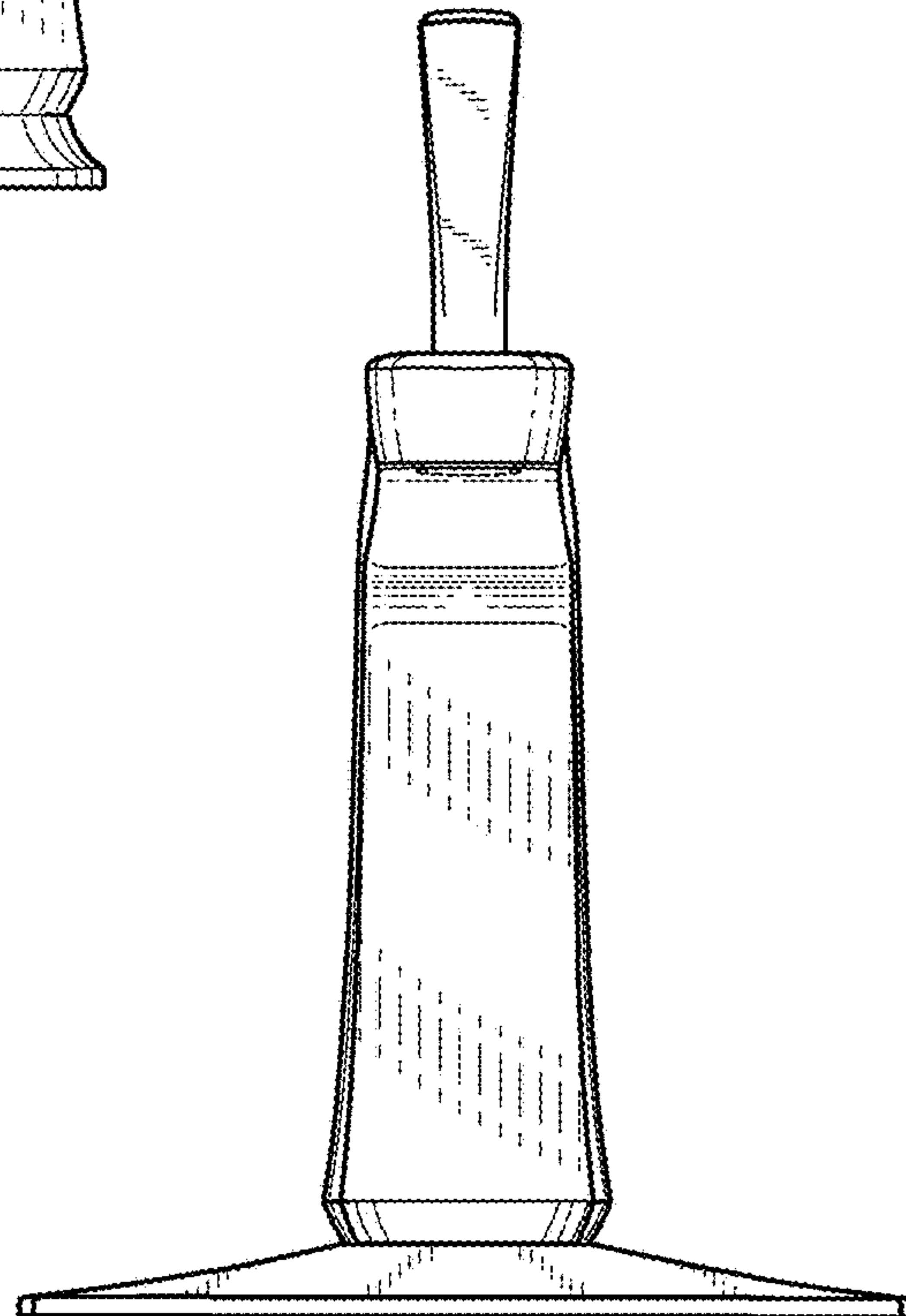


Fig-7