



US00D855157S

(12) **United States Design Patent** (10) **Patent No.:** **US D855,157 S**
Stuart (45) **Date of Patent:** **** Jul. 30, 2019**

(54) **FAUCET**
(71) Applicant: **DELTA FAUCET COMPANY,**
Indianapolis, IN (US)
(72) Inventor: **Christopher Stuart,** Noblesville, IN
(US)
(73) Assignee: **DELTA FAUCET COMPANY,**
Indianapolis, IN (US)
(**) Term: **15 Years**
(21) Appl. No.: **29/628,448**
(22) Filed: **Dec. 5, 2017**
(51) **LOC (11) Cl.** **23-01**
(52) **U.S. Cl.**
USPC **D23/238**
(58) **Field of Classification Search**
USPC D23/238-243, 249-250, 252, 254-255,
D23/257, 213, 245
CPC Y10T 137/9464; Y10T 137/6064; E03C
1/04; E03C 1/0404; E03C 1/0405; E03C
1/0411; E03C 1/0412; E03C 1/0409;
E03C 1/042; E03C 2001/0414
See application file for complete search history.

D576,707 S * 9/2008 Schonherr D23/238
D635,647 S * 4/2011 Montgomery D23/239
9,551,136 B2 * 1/2017 Keiter E03C 1/0404
D802,722 S * 11/2017 Flowers D23/252
D811,533 S * 2/2018 Schoenherr D23/238
D823,988 S * 7/2018 Soulier D23/238
10,066,375 B2 * 9/2018 Kostorz E03C 1/0403

* cited by examiner

Primary Examiner — Robert A Delehanty
(74) *Attorney, Agent, or Firm* — Edgar A. Zarins; Nirav
D. Parikh

(57) **CLAIM**

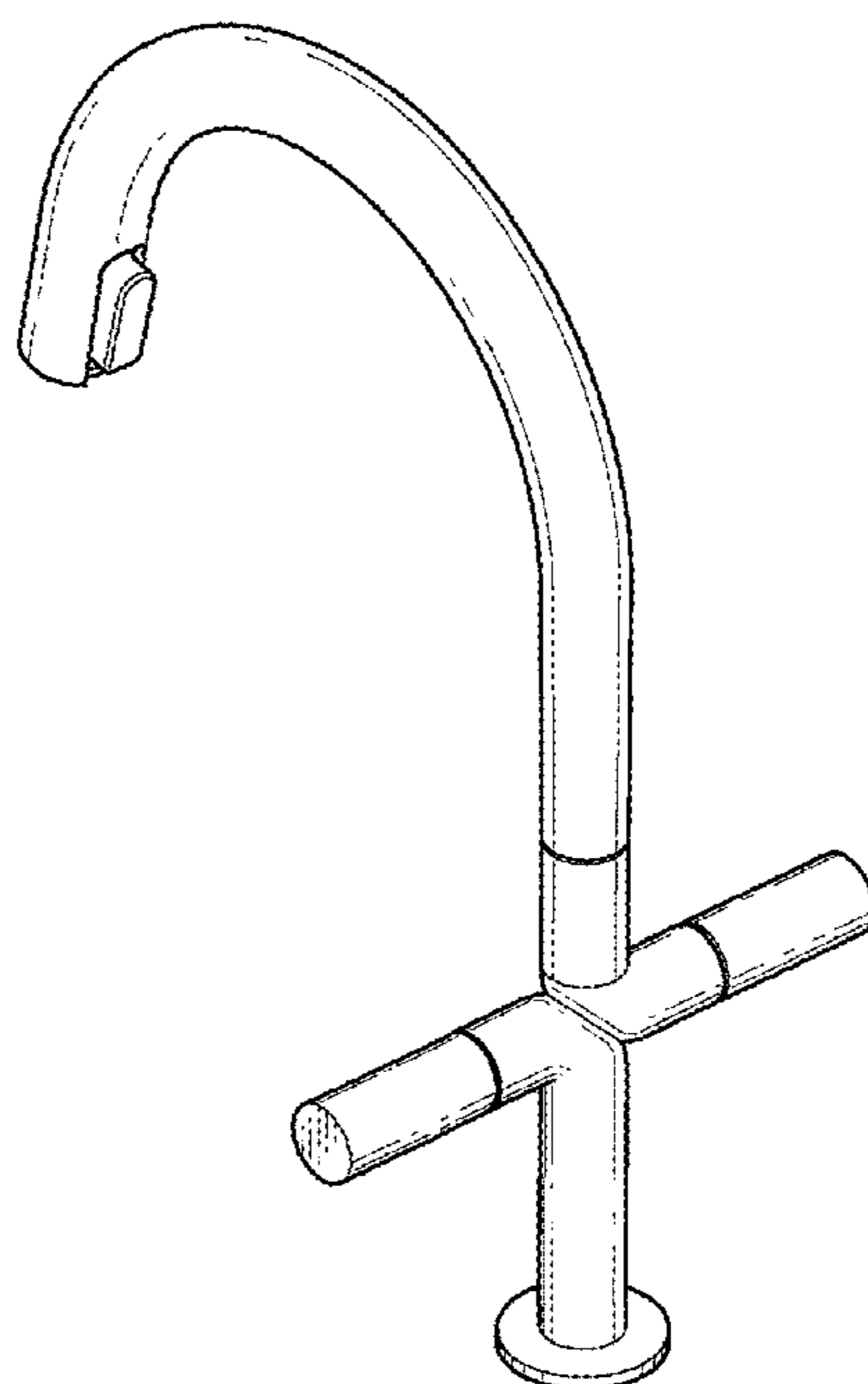
The ornamental design for a faucet, as shown and described.

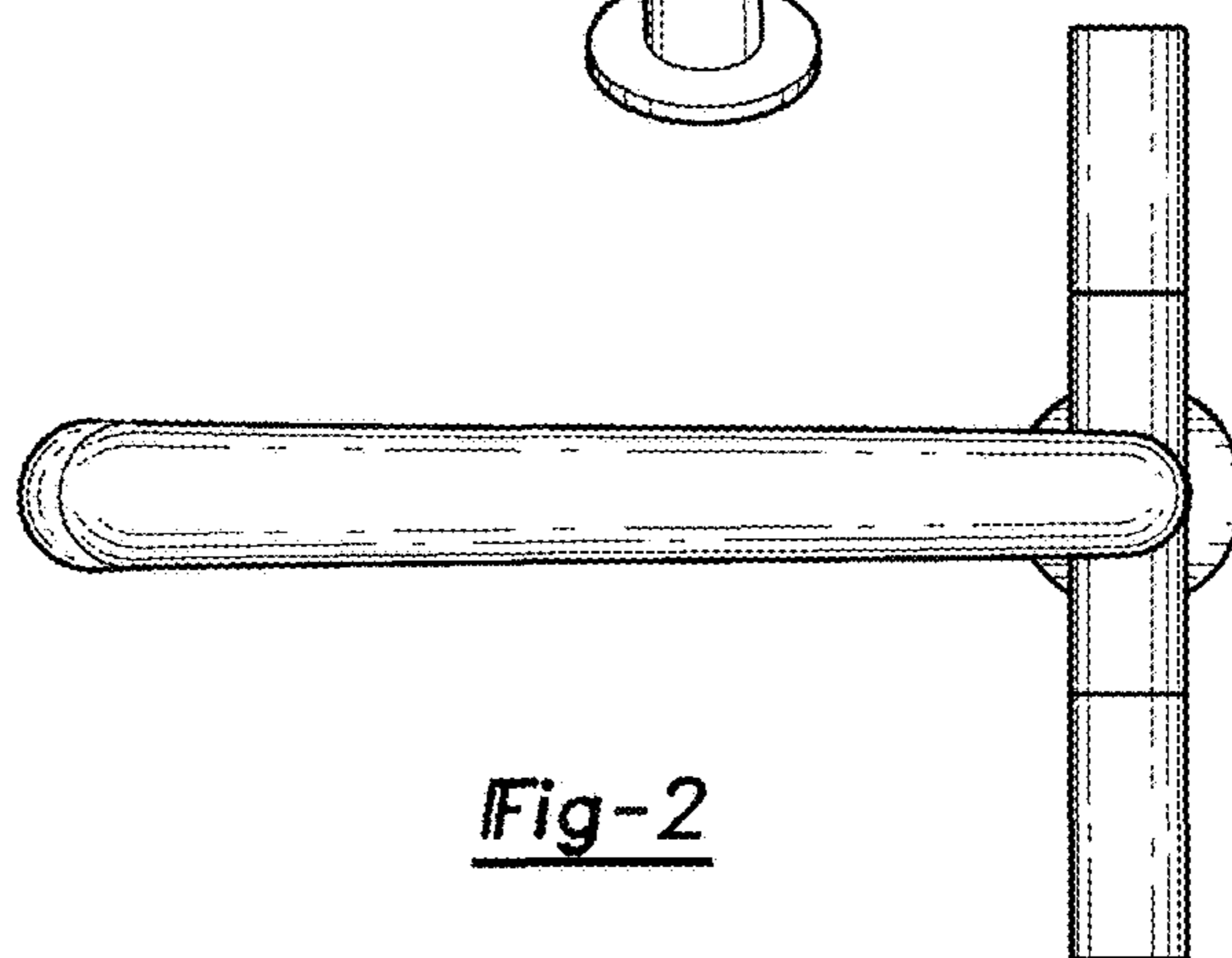
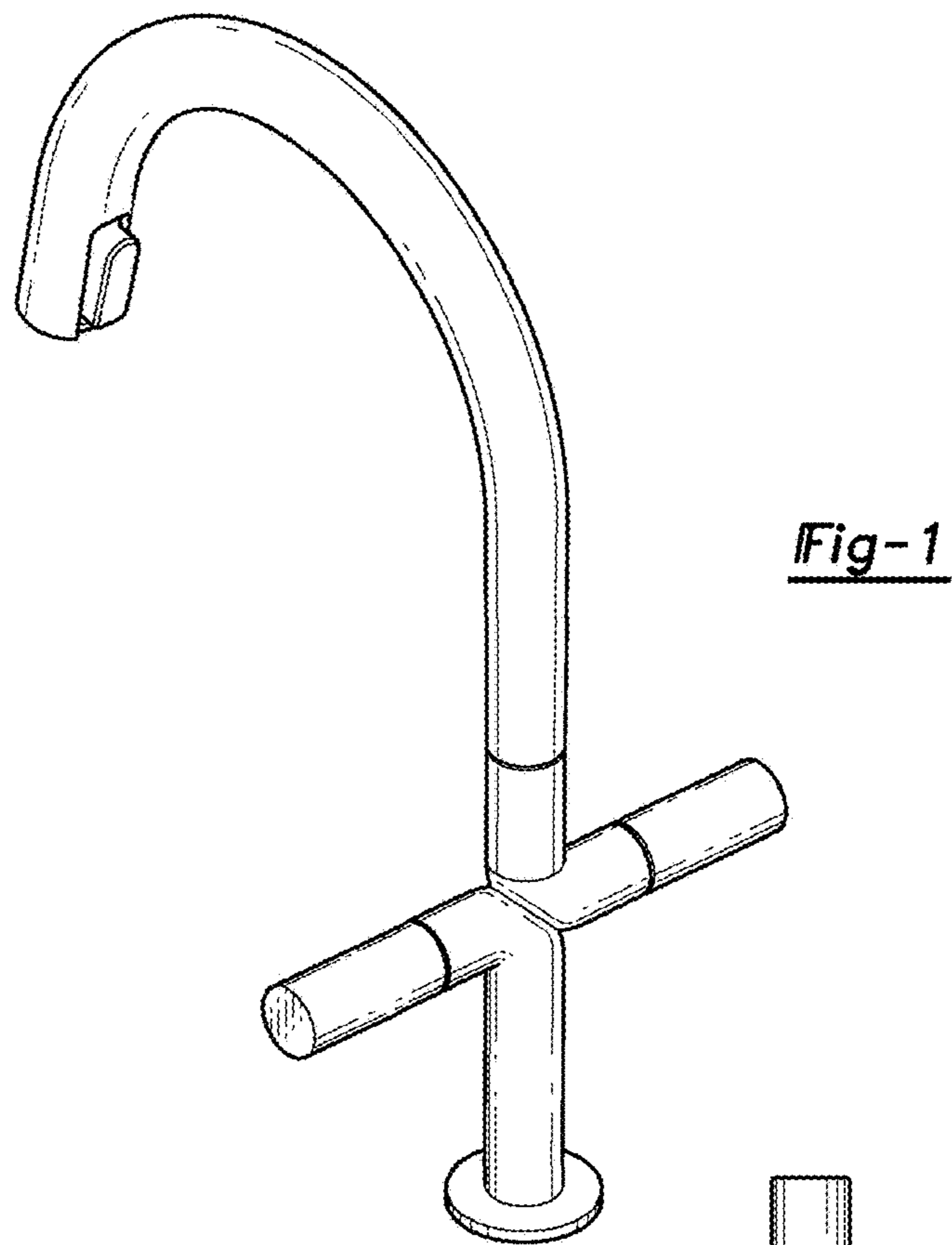
DESCRIPTION

FIG. 1 is a rear perspective view of a faucet showing my new design;
FIG. 2 is a top plan view thereof;
FIG. 3 is a bottom view thereof;
FIG. 4 is a left side view thereof, the opposite side being a mirror image of the side shown;
FIG. 5 is a front elevational view thereof; and,
FIG. 6 is a rear view thereof.
The broken-line disclosure in the view represents a portion of the faucet in which the claimed design is embodied, but which forms no part of the claimed design.

1 Claim, 3 Drawing Sheets

(56) **References Cited**
U.S. PATENT DOCUMENTS
D440,637 S * 4/2001 Lefroy-Brooks D23/238
D527,076 S * 8/2006 Kolin D23/241





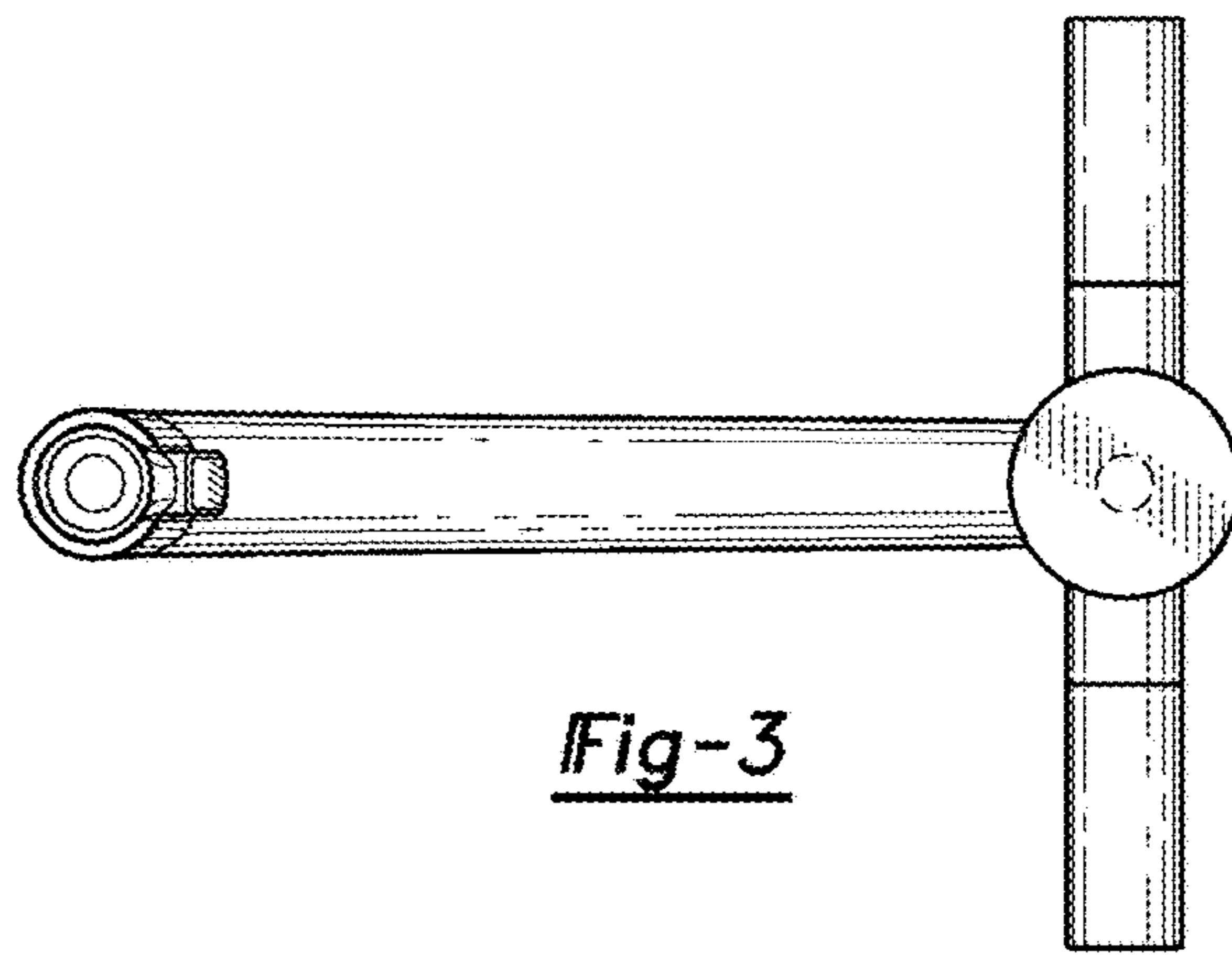


Fig-3

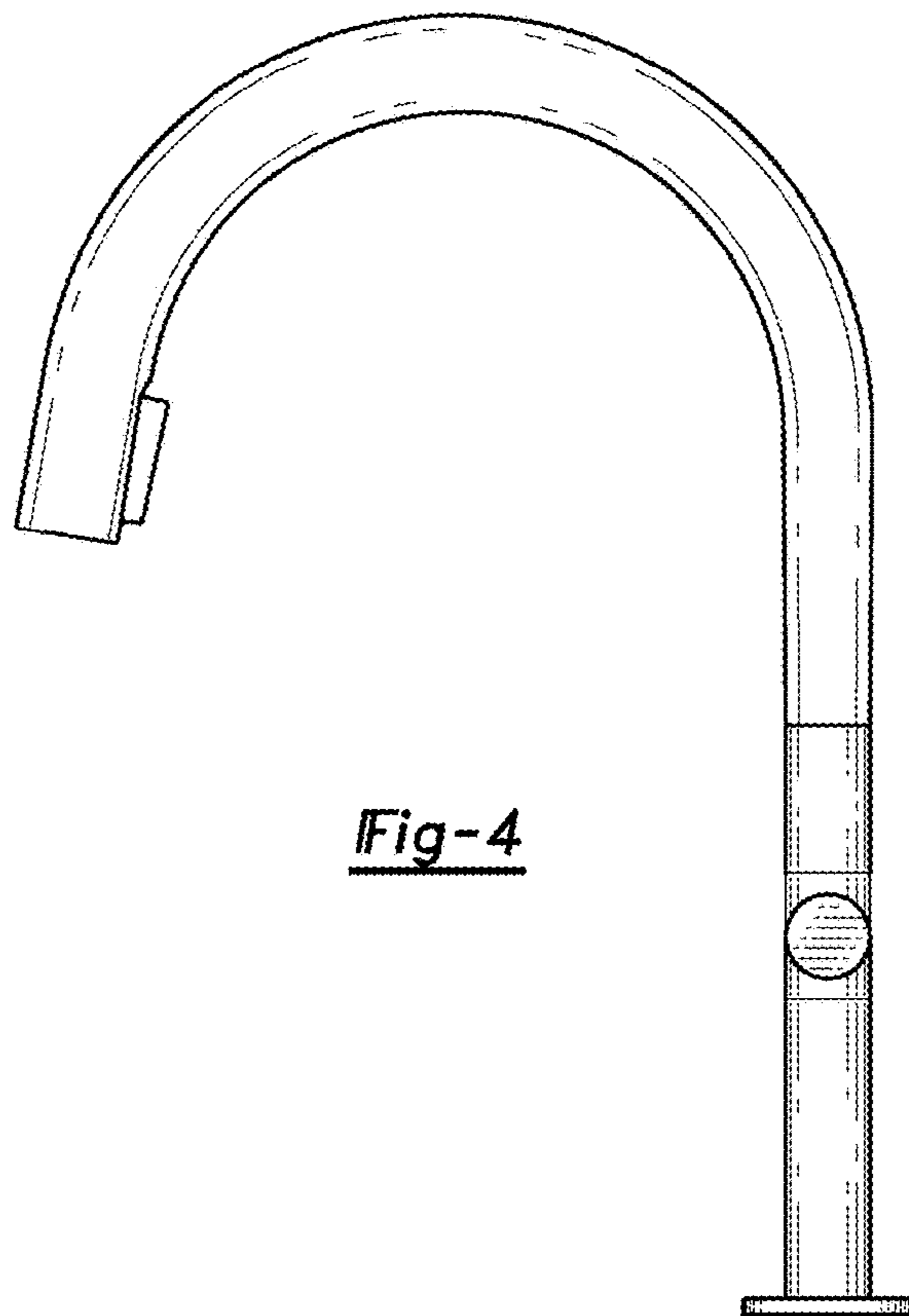


Fig-4

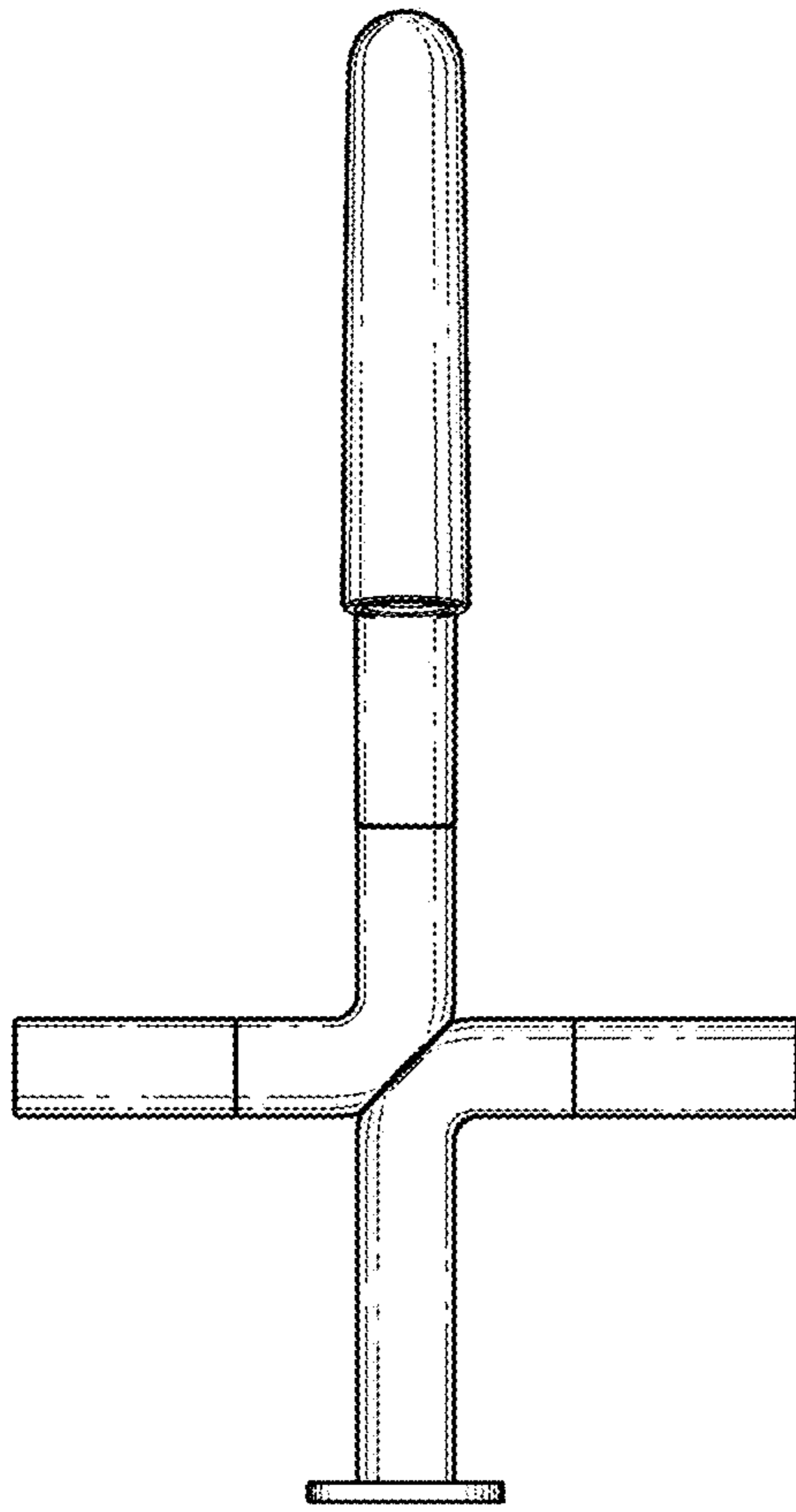


Fig-5

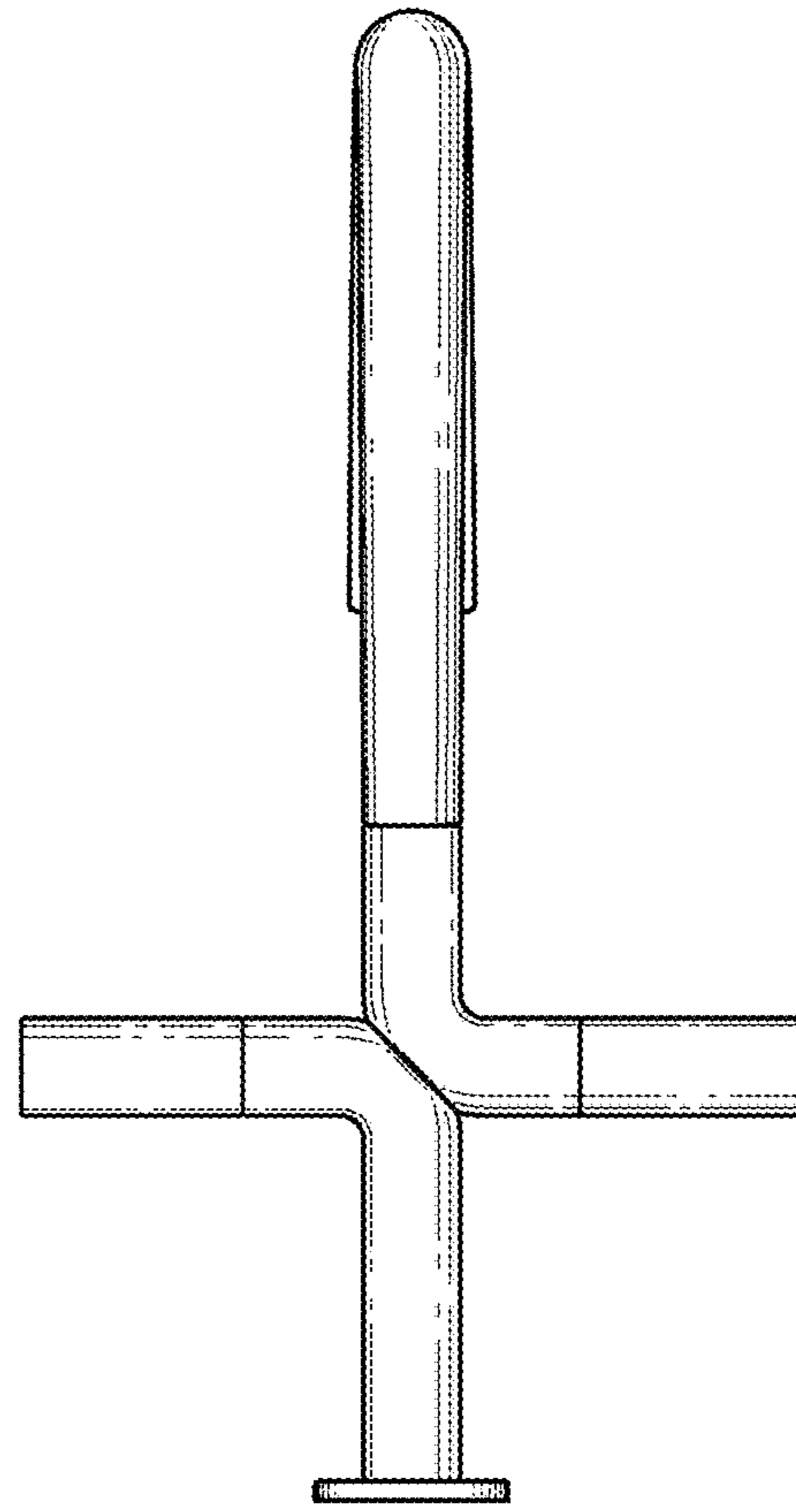


Fig-6