



US00D855156S

(12) **United States Design Patent**
Stuart

(10) **Patent No.:** **US D855,156 S**

(45) **Date of Patent:** **** Jul. 30, 2019**

(54) **FAUCET**

(71) Applicant: **DELTA FAUCET COMPANY,**
Indianapolis, IN (US)

(72) Inventor: **Christopher Stuart,** Noblesville, IN
(US)

(73) Assignee: **DELTA FAUCET COMPANY,**
Indianapolis, IN (US)

(**) Term: **15 Years**

(21) Appl. No.: **29/628,445**

(22) Filed: **Dec. 5, 2017**

(51) **LOC (11) Cl.** **23-01**

(52) **U.S. Cl.**
USPC **D23/238**

(58) **Field of Classification Search**
USPC D23/238-243, 249-250, 252, 254-255,
D23/257, 213, 245
CPC Y10T 137/9464; Y10T 137/6064; E03C
1/04; E03C 1/0404; E03C 1/0405; E03C
1/0411; E03C 1/0412; E03C 1/0403;
E03C 1/0409; E03C 1/042; E03C
2001/0414

See application file for complete search history.

(56) **References Cited**

U.S. PATENT DOCUMENTS

D456,878 S * 5/2002 Gottwald D23/238
D457,938 S * 5/2002 Lobermeier D23/238

D481,445 S * 10/2003 Haug D23/238
D653,309 S * 1/2012 Starck D23/257
D697,588 S * 1/2014 Schoenherr D23/238
D767,102 S * 9/2016 Schoenherr D23/257
D802,722 S * 11/2017 Flowers D23/252
D811,533 S * 2/2018 Schoenherr D23/238
10,066,375 B2 * 9/2018 Kostorz E03C 1/0403

* cited by examiner

Primary Examiner — Robert A Delehanty

(74) *Attorney, Agent, or Firm* — Edgar A. Zarins; Nirav
D. Parikh

(57) **CLAIM**

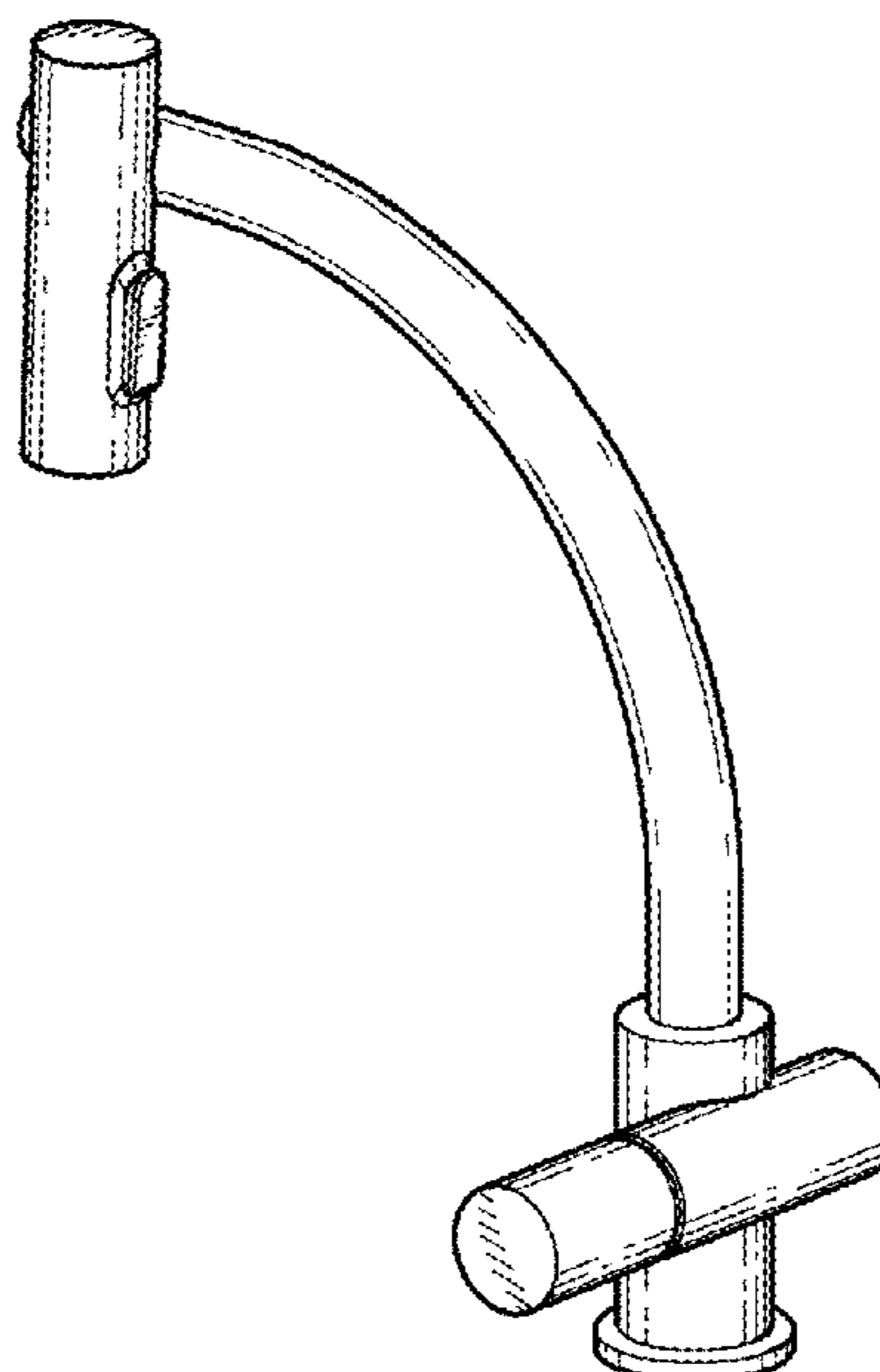
The ornamental design for a faucet, as shown and described.

DESCRIPTION

FIG. 1 is a rear perspective view of a faucet showing my new design;
FIG. 2 is a top plan view thereof;
FIG. 3 is a bottom view thereof;
FIG. 4 is a front elevational view thereof;
FIG. 5 is a left side view thereof;
FIG. 6 is a right side view thereof; and,
FIG. 7 is a rear view thereof.

The broken-line disclosure in the view represents a portion of the faucet in which the claimed design is embodied, but which forms no part of the claimed design.

1 Claim, 2 Drawing Sheets



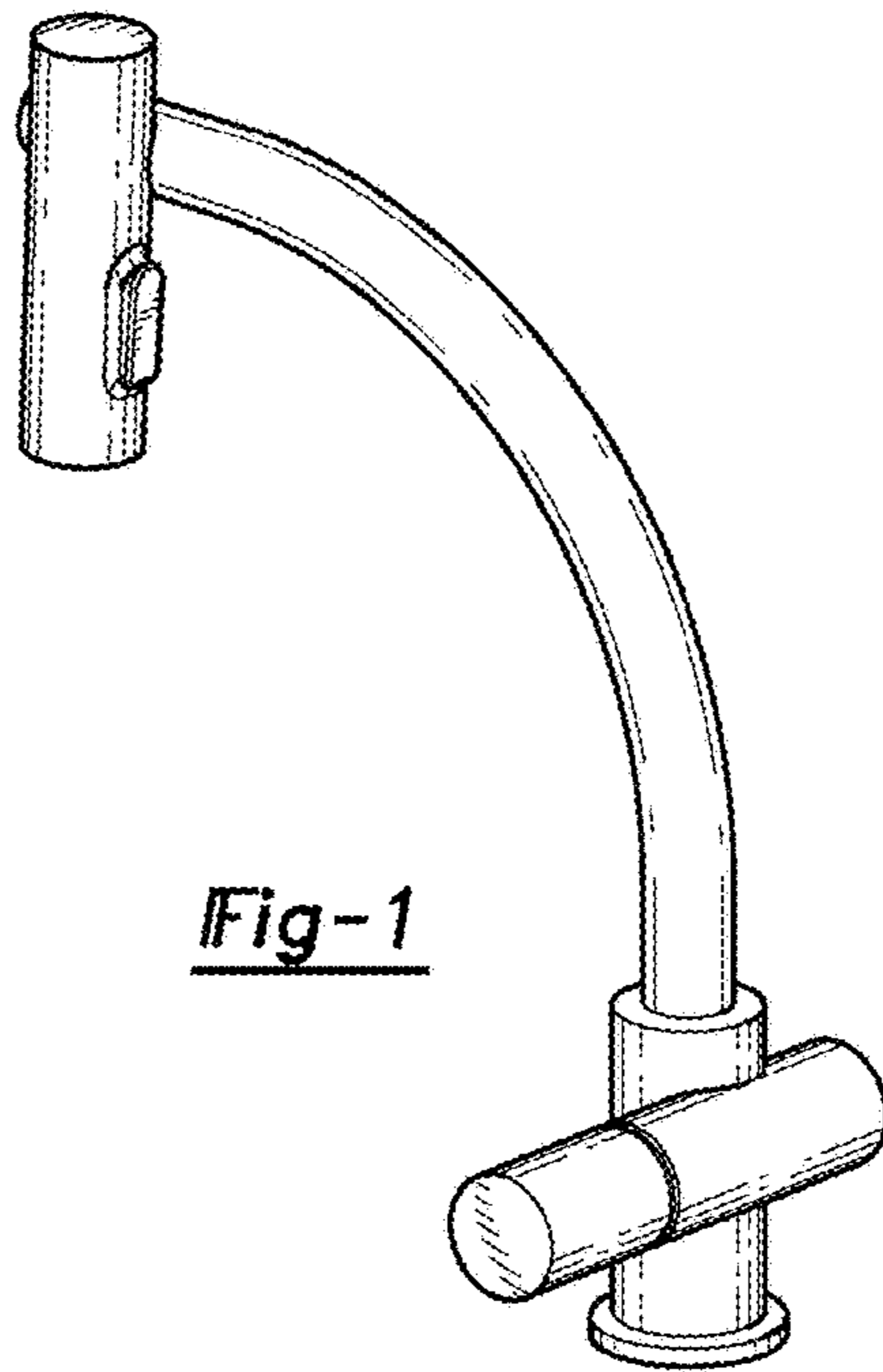


Fig-1

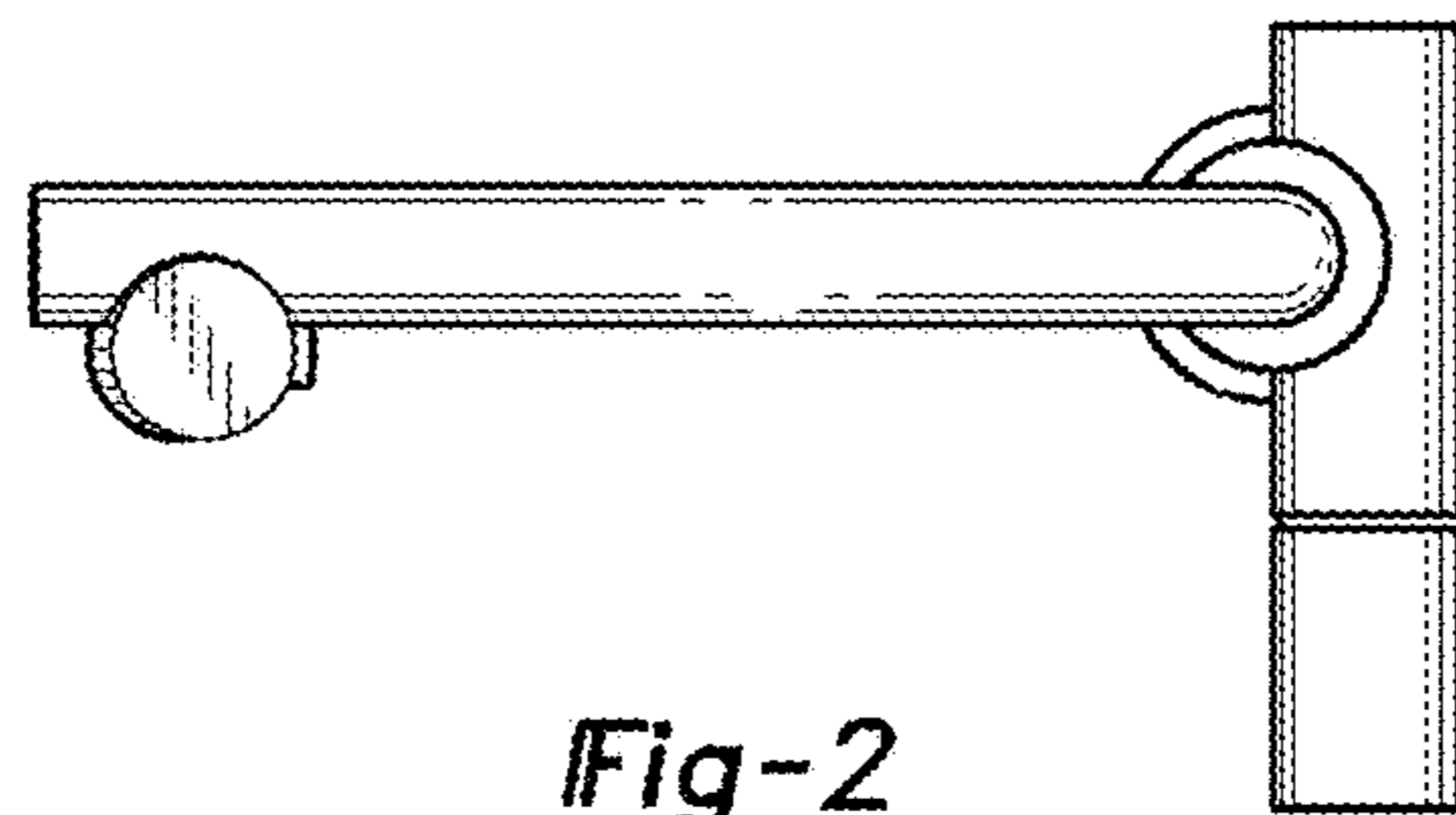


Fig-2

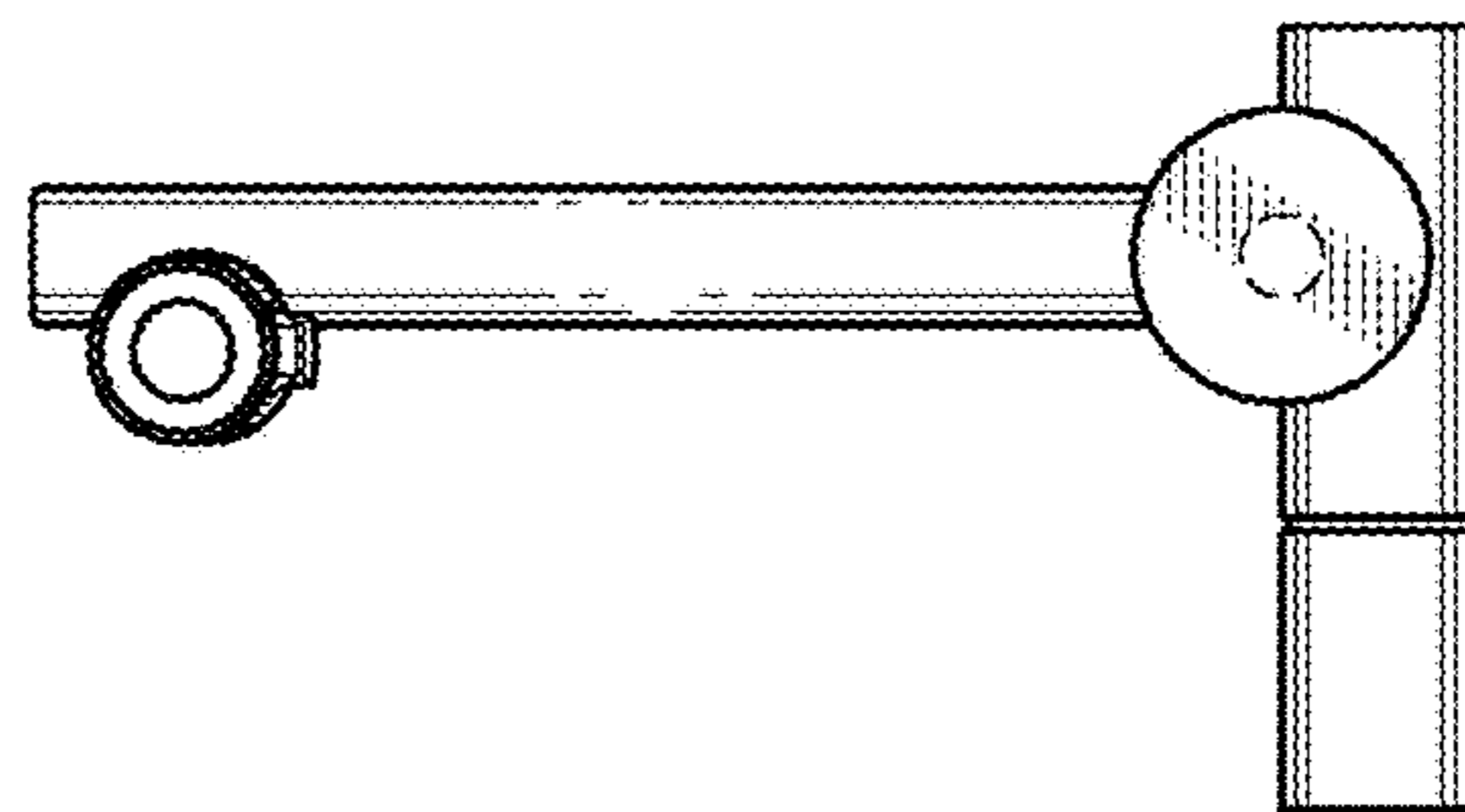


Fig-3

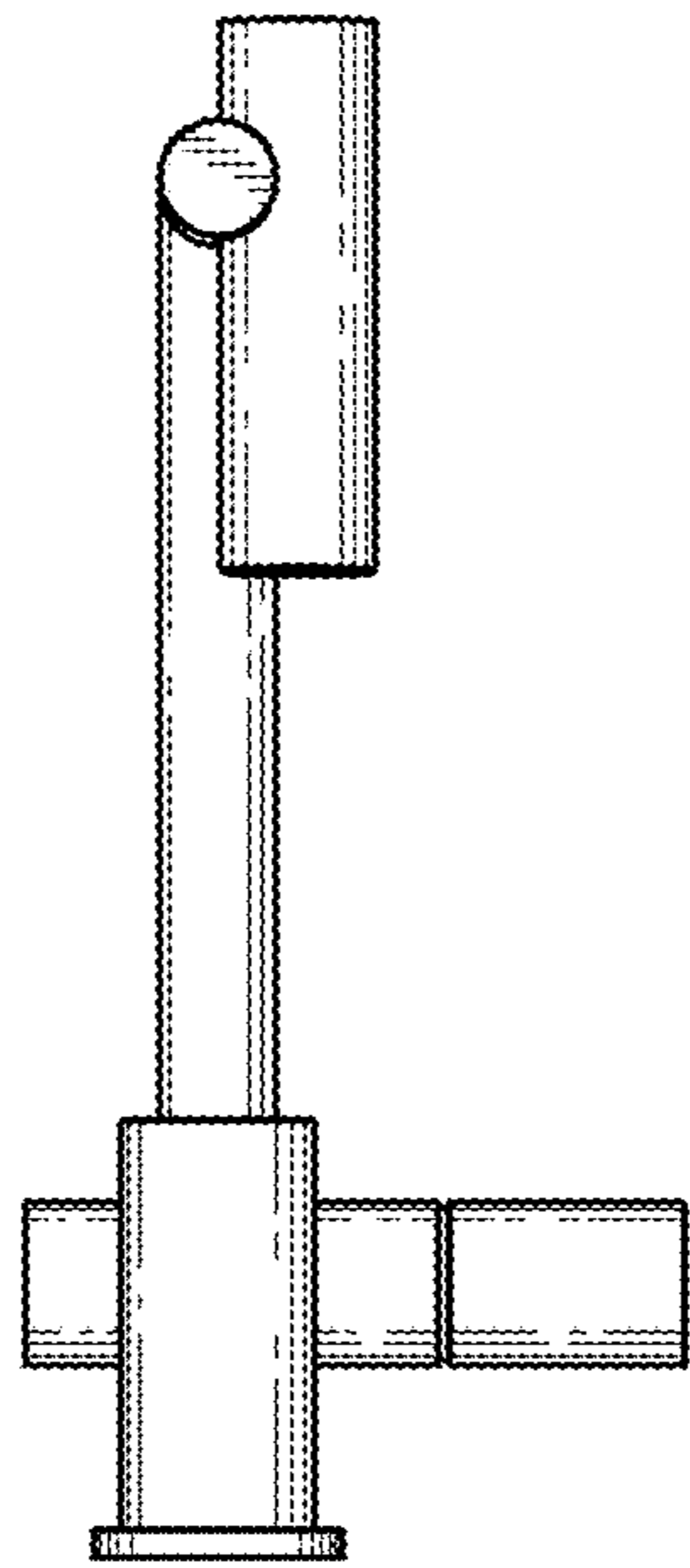


Fig-4

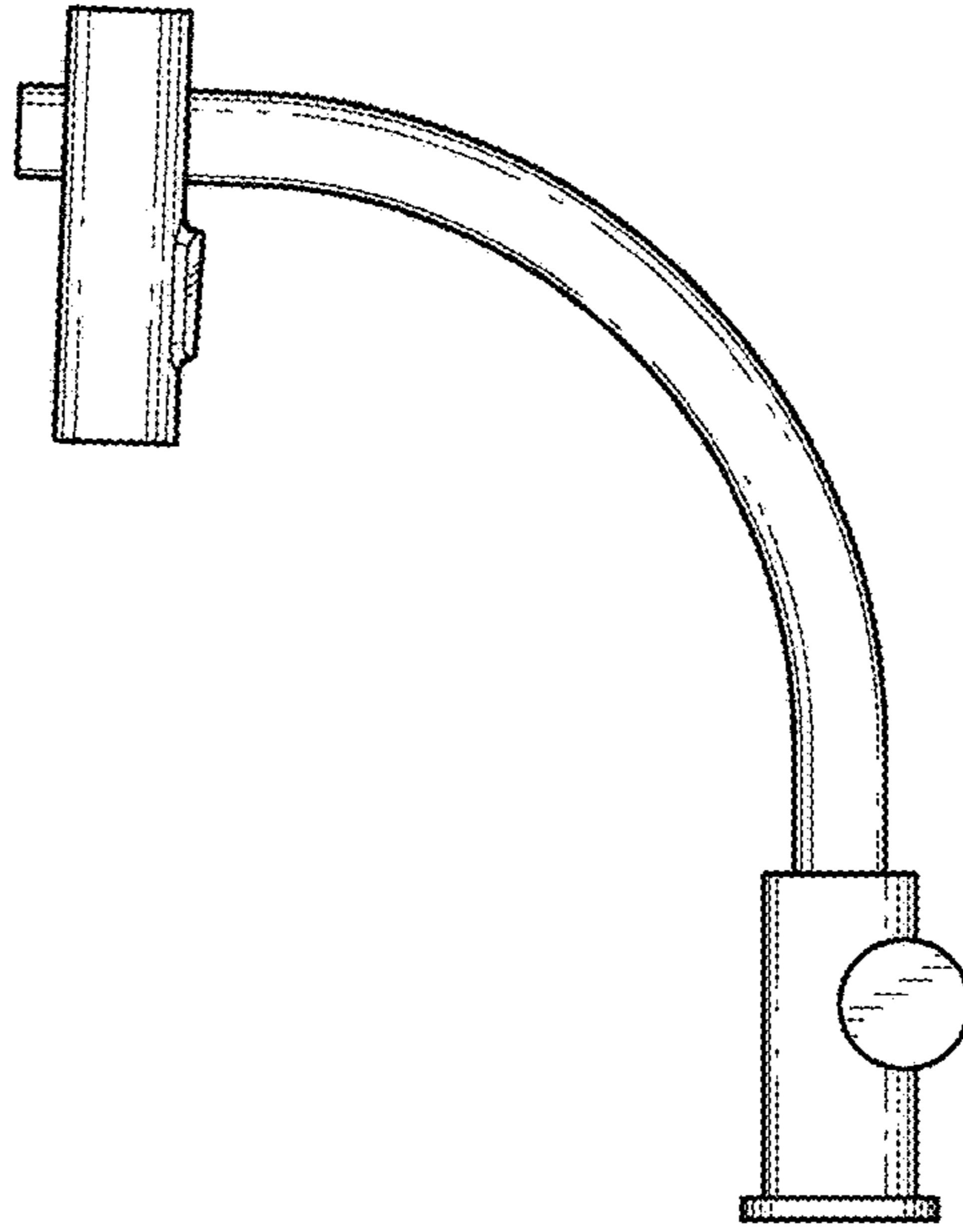


Fig-5

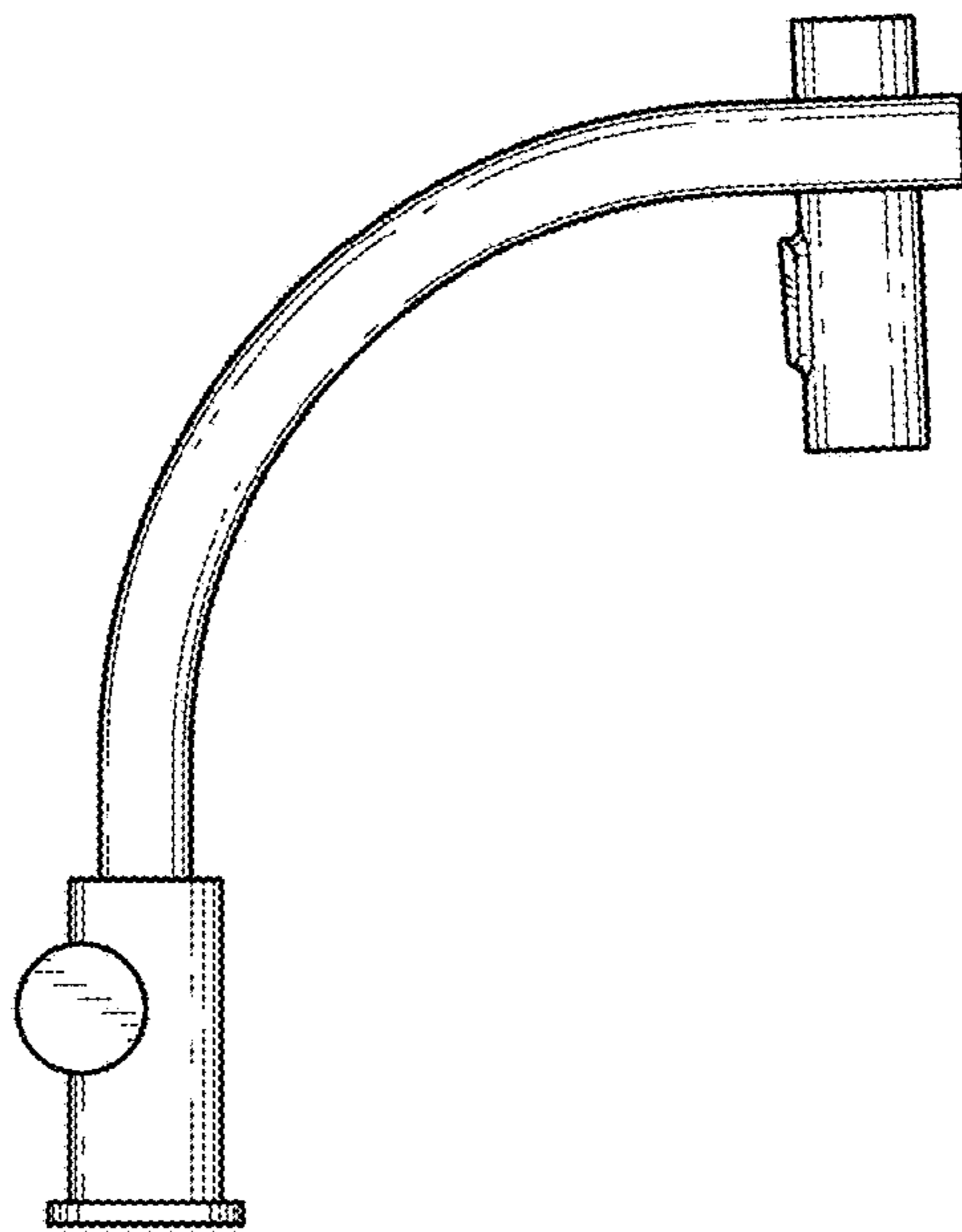


Fig-6

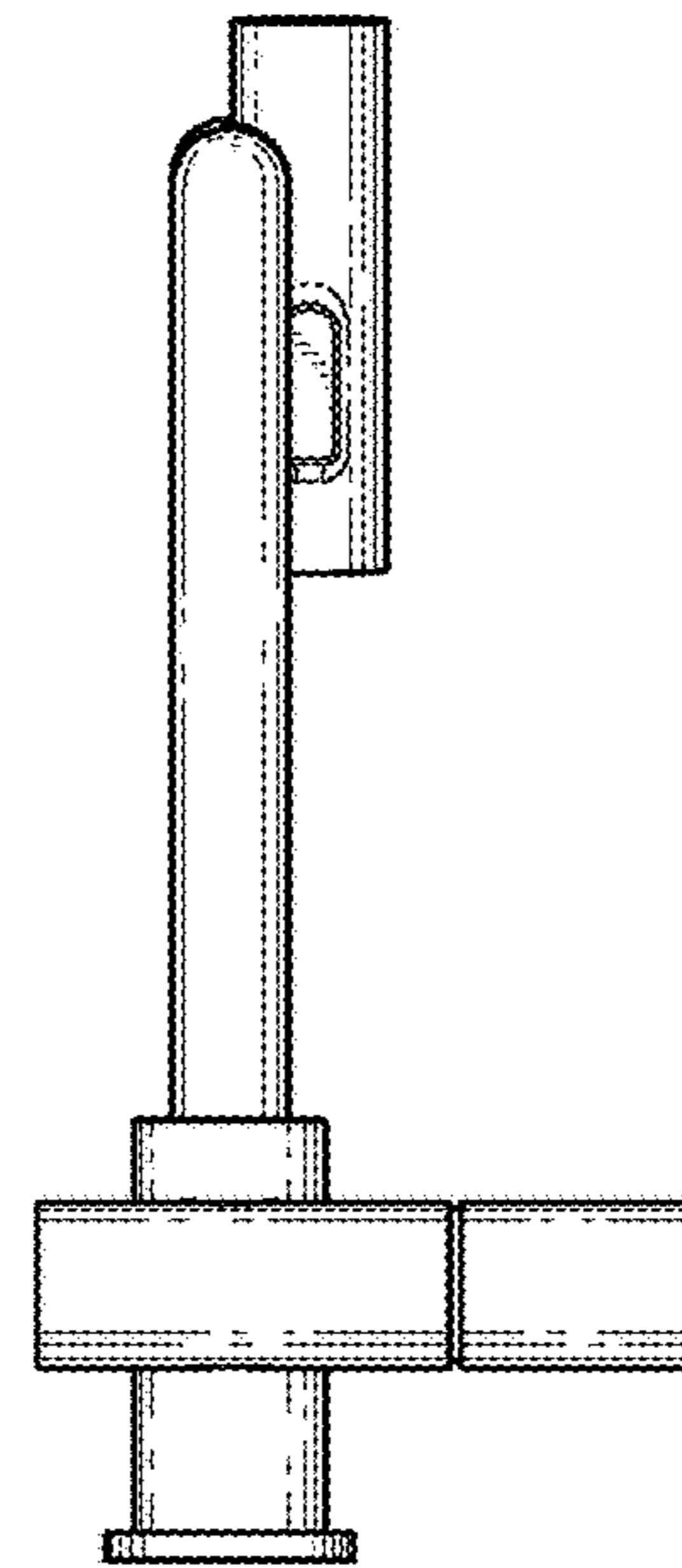


Fig-7