



US00D855155S

(12) **United States Design Patent** (10) **Patent No.:** **US D855,155 S**  
**Stuart** (45) **Date of Patent:** **\*\* Jul. 30, 2019**

(54) **FAUCET**  
(71) Applicant: **DELTA FAUCET COMPANY**,  
Indianapolis, IN (US)  
(72) Inventor: **Christopher Stuart**, Noblesville, IN  
(US)  
(73) Assignee: **DELTA FAUCET COMPANY**,  
Indianapolis, IN (US)  
(\*\*) Term: **15 Years**  
(21) Appl. No.: **29/628,435**  
(22) Filed: **Dec. 5, 2017**  
(51) **LOC (11) Cl.** ..... **23-01**  
(52) **U.S. Cl.**  
USPC ..... **D23/238**  
(58) **Field of Classification Search**  
USPC ..... D23/238-243, 249-250, 252, 254-255,  
D23/257, 213, 245  
CPC ..... Y10T 137/9464; Y10T 137/6064; E03C  
1/04; E03C 1/0404; E03C 1/0405; E03C  
1/0411; E03C 1/0412; E03C 1/0409;  
E03C 1/042; E03C 2001/0414  
See application file for complete search history.

D708,713 S \* 7/2014 Yu ..... D23/238  
D709,166 S \* 7/2014 Yu ..... D23/238  
D804,615 S \* 12/2017 Seum ..... D23/238  
D816,804 S \* 5/2018 Chong ..... D23/238

\* cited by examiner  
*Primary Examiner* — Robert A Delehanty  
(74) *Attorney, Agent, or Firm* — Edgar A. Zarins; Nirav  
D. Parikh

(57) **CLAIM**

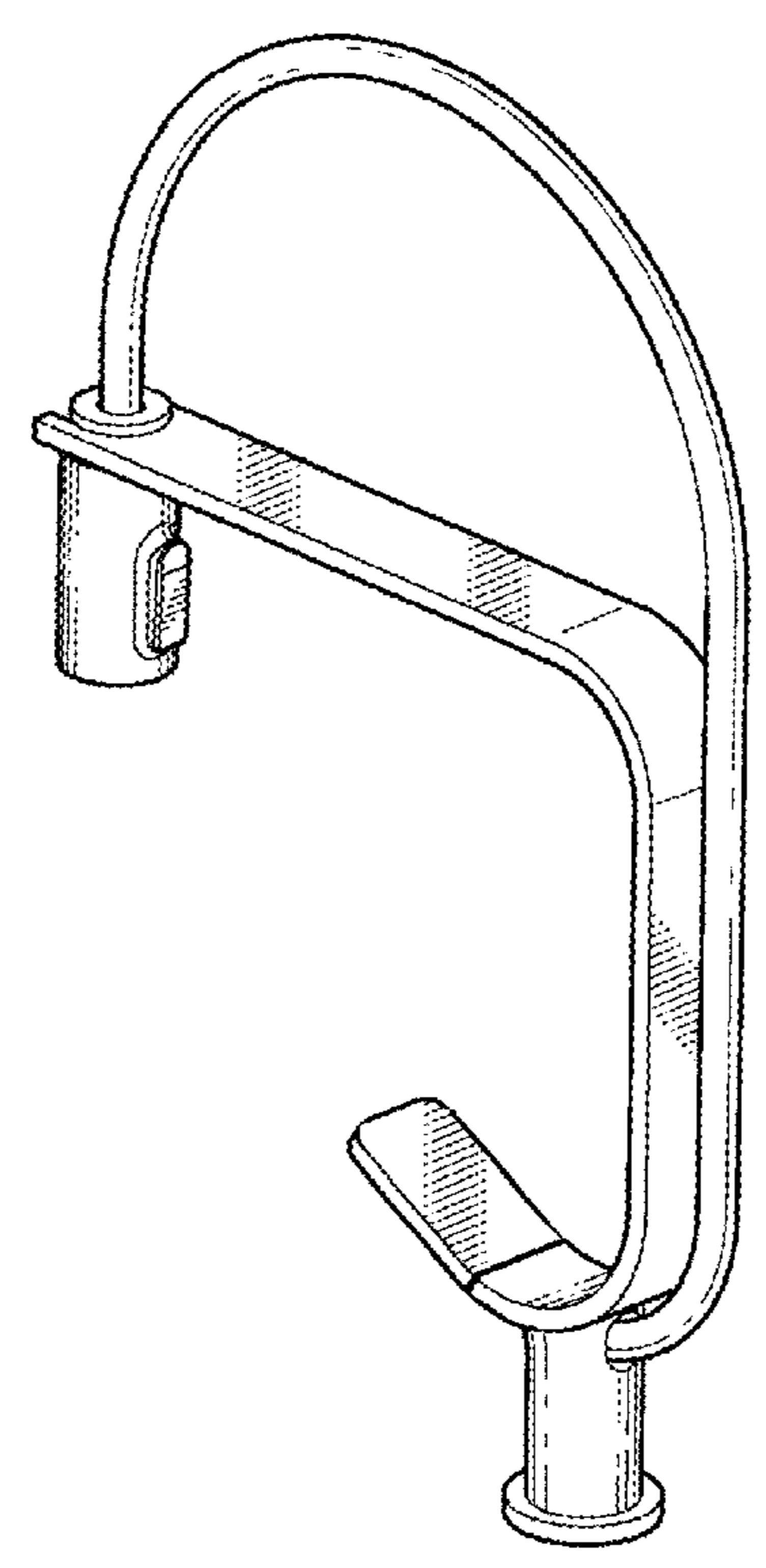
The ornamental design for a faucet, as shown and described.

**DESCRIPTION**

FIG. 1 is a rear perspective view of a faucet showing my new design;  
FIG. 2 is a top plan view thereof;  
FIG. 3 is a bottom view thereof;  
FIG. 4 is a front elevational view thereof;  
FIG. 5 is a left side view thereof, the opposite side being a mirror image of the side shown; and,  
FIG. 6 is a rear view thereof.  
The broken-line disclosure in the view represents a portion of the faucet in which the claimed design is embodied, but which forms no part of the claimed design.

(56) **References Cited**  
U.S. PATENT DOCUMENTS  
D589,594 S \* 3/2009 Lammel ..... D23/238  
D605,260 S \* 12/2009 Allard ..... D23/255

**1 Claim, 2 Drawing Sheets**



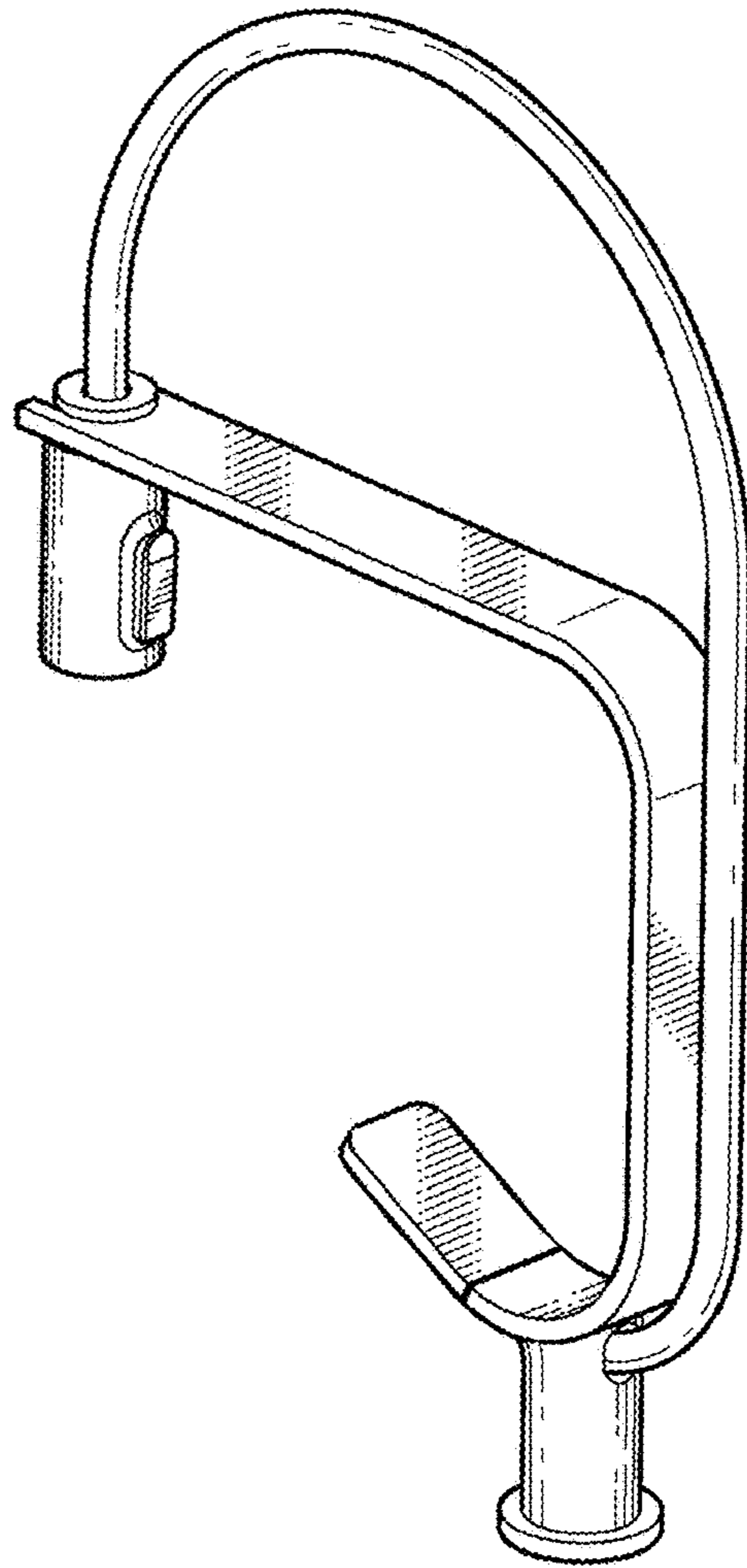


Fig-1

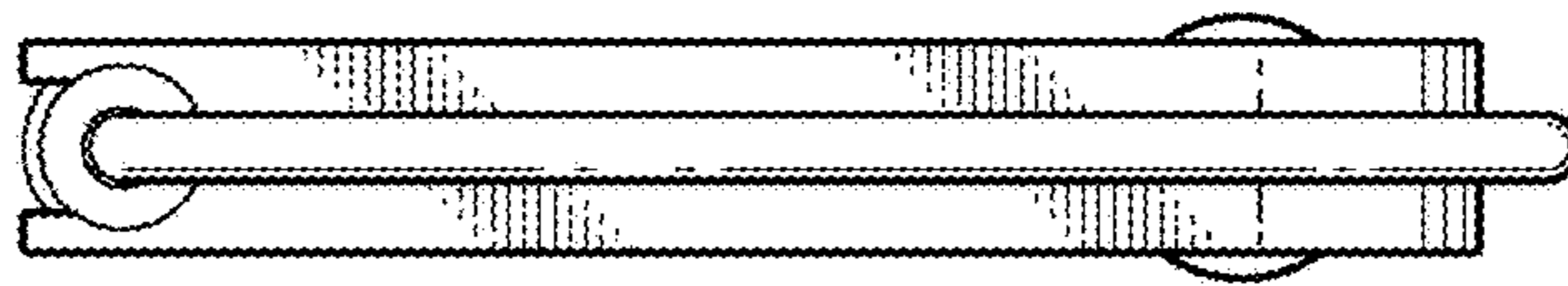


Fig-2

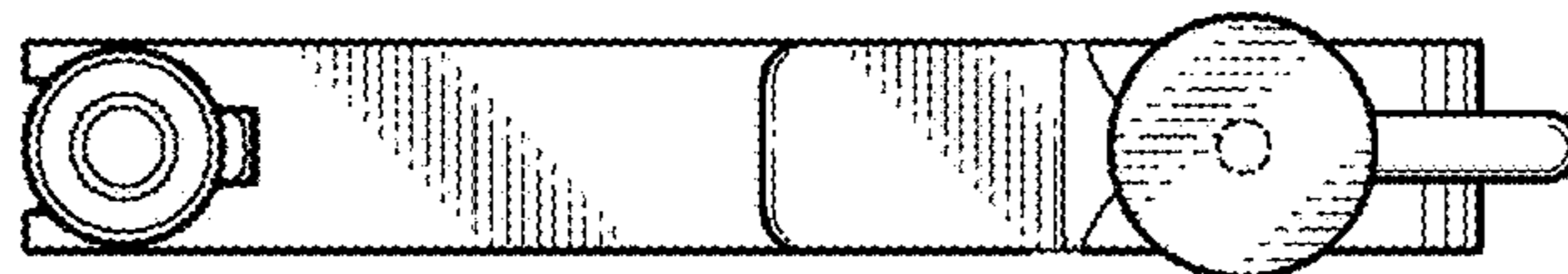


Fig-3

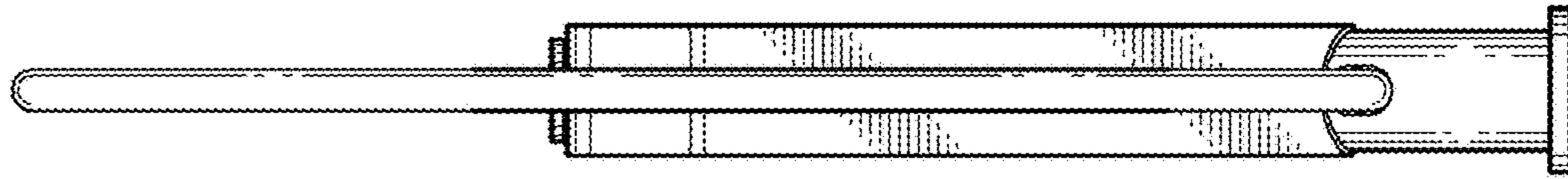


Fig-6

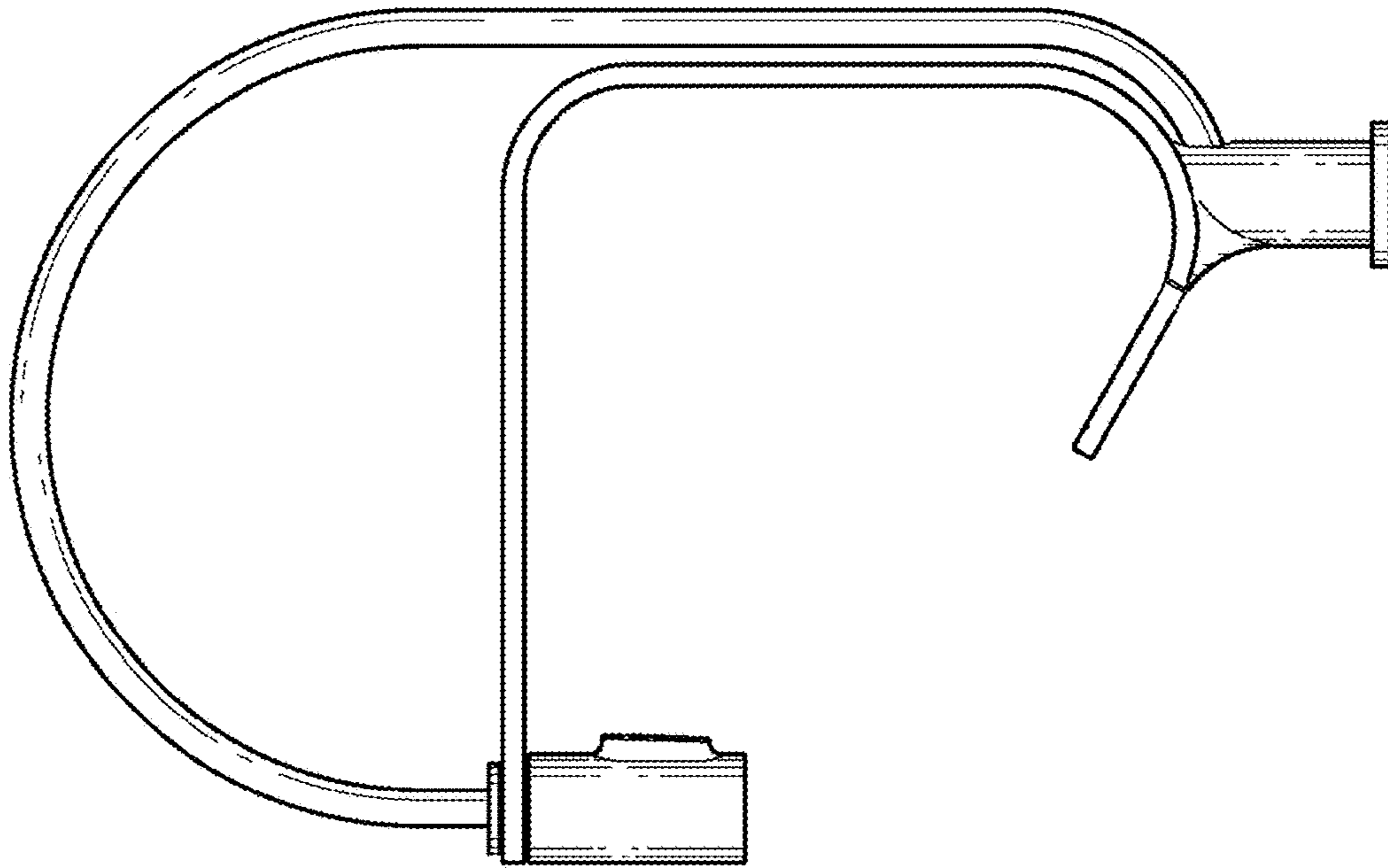


Fig-5

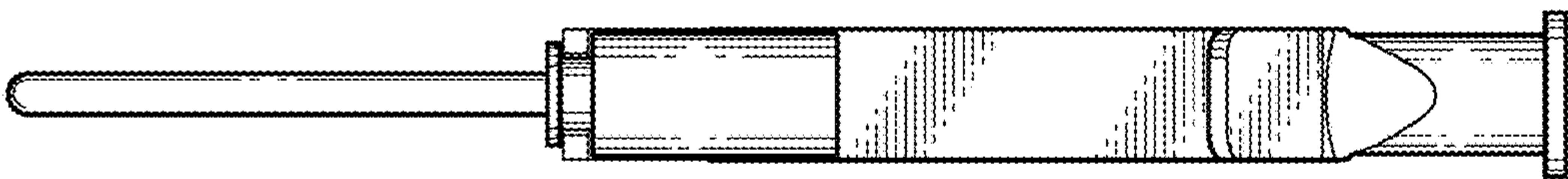


Fig-4