



US00D855152S

(12) **United States Design Patent**
Spaunhorst et al.

(10) **Patent No.:** **US D855,152 S**

(45) **Date of Patent:** **** Jul. 30, 2019**

(54) **EXPANSION VALVE**

(71) Applicant: **Parker-Hannifin Corporation,**
Cleveland, OH (US)

(72) Inventors: **Matthew Spaunhorst,** Washington, MO
(US); **Chris Gorman,** Van Wert, OH
(US); **Donald Staten,** Chesterfield, MO
(US); **Steve Merryman,** Washington,
MO (US)

(73) Assignee: **Parker-Hannifin Corporation,**
Cleveland, OH (US)

(**) Term: **15 Years**

(21) Appl. No.: **29/536,863**

(22) Filed: **Aug. 20, 2015**

(51) **LOC (11) Cl.** **23-01**

(52) **U.S. Cl.**
USPC **D23/233**

(58) **Field of Classification Search**
USPC D23/233, 235, 237, 249; 62/498, 527,
62/225; 251/282, 285, 61.4, 84, 122,
251/337, 356; 236/92 B; 374/201;
137/493.7, 505.14, 495
CPC F25B 41/062; F25B 2600/2513; F25B
2341/065; F16K 31/002; B60H 1/00485;
B60H 2001/3283

See application file for complete search history.

(56) **References Cited**

U.S. PATENT DOCUMENTS

D359,105 S * 6/1995 Vestergaard D23/233
D359,106 S * 6/1995 Vestergaard D23/233

D359,107 S * 6/1995 Vestergaard D23/233
D359,108 S * 6/1995 Vestergaard D23/233
D359,109 S * 6/1995 Vestergaard D23/233
D359,110 S * 6/1995 Vestergaard D23/233
D359,111 S * 6/1995 Vestergaard D23/233
D359,114 S * 6/1995 Vestergaard D23/233
D360,930 S * 8/1995 Vestergaard D23/233

* cited by examiner

Primary Examiner — Cynthia Ramirez

Assistant Examiner — Gino Colan

(74) *Attorney, Agent, or Firm* — Renner Otto

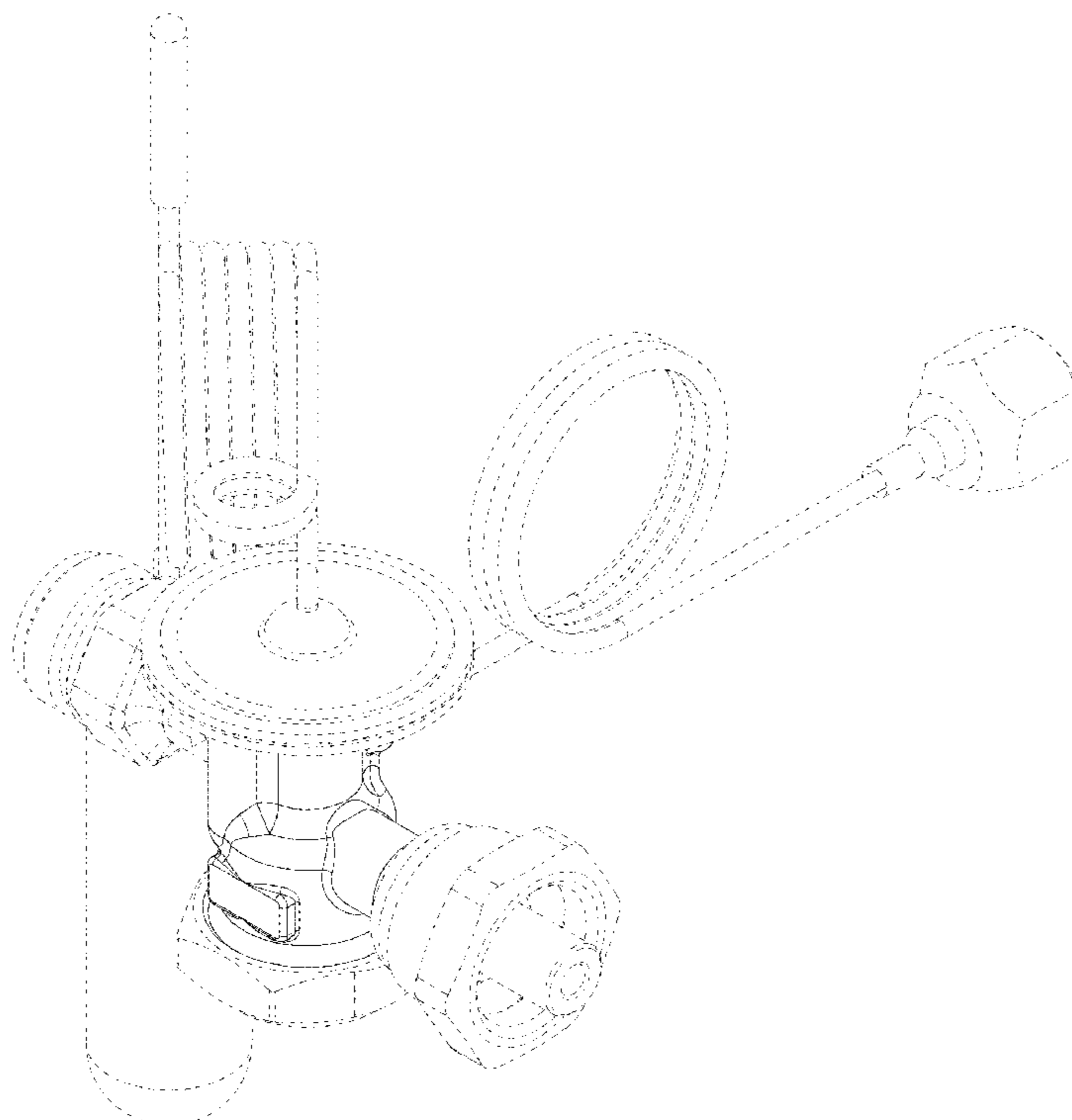
(57) **CLAIM**

The ornamental design for an expansion valve, as shown and described.

DESCRIPTION

FIG. 1 is a perspective view of an expansion valve showing our new design;
FIG. 2 is a front view thereof;
FIG. 3 is a left side view thereof;
FIG. 4 is a right side view thereof;
FIG. 5 is a top view thereof; and,
FIG. 6 is a bottom view thereof.
The broken line showing is for the purpose of illustrating portions of the expansion valve and forms no part of the claimed design.

1 Claim, 6 Drawing Sheets



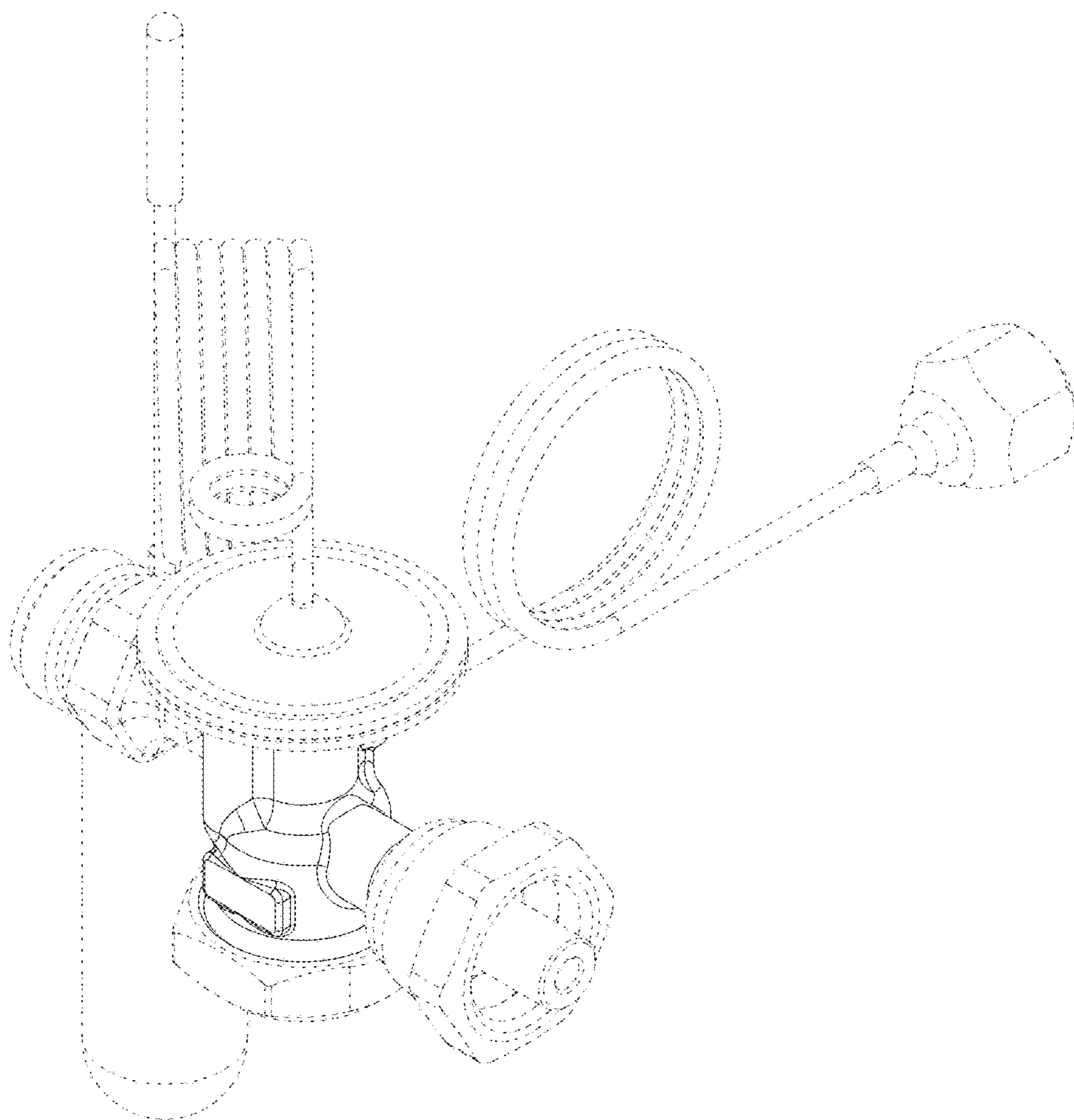


FIG. 1

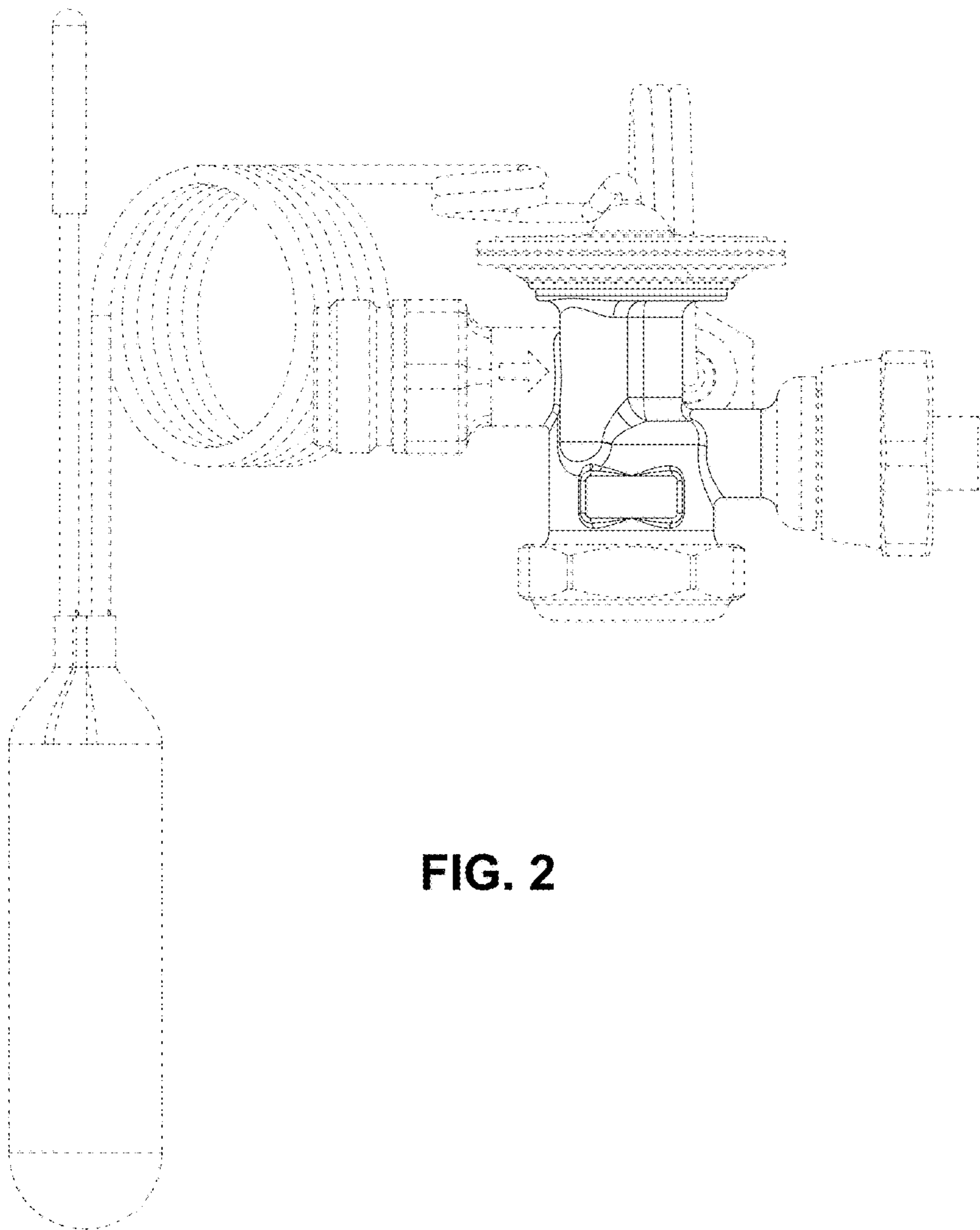


FIG. 2

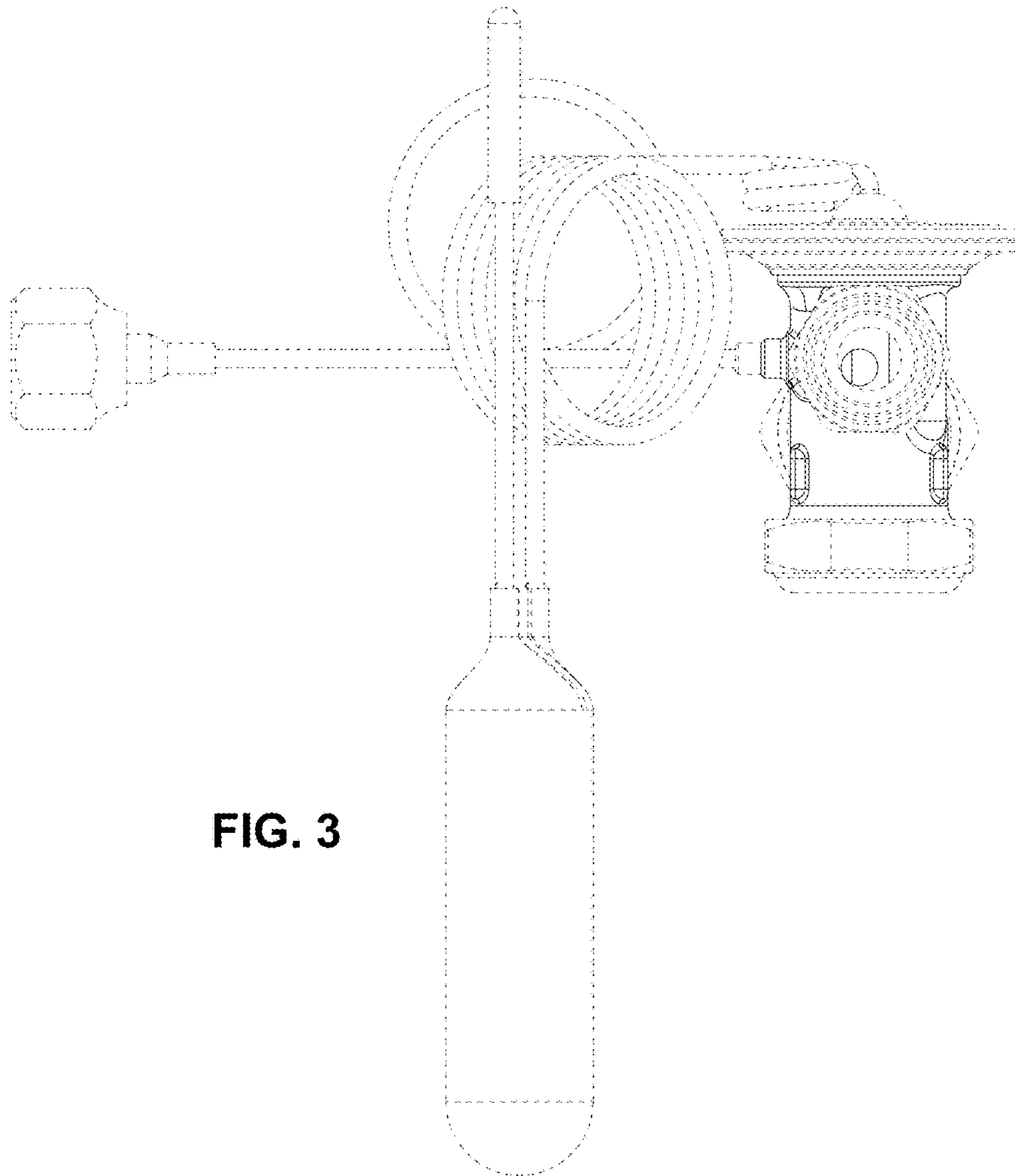


FIG. 3

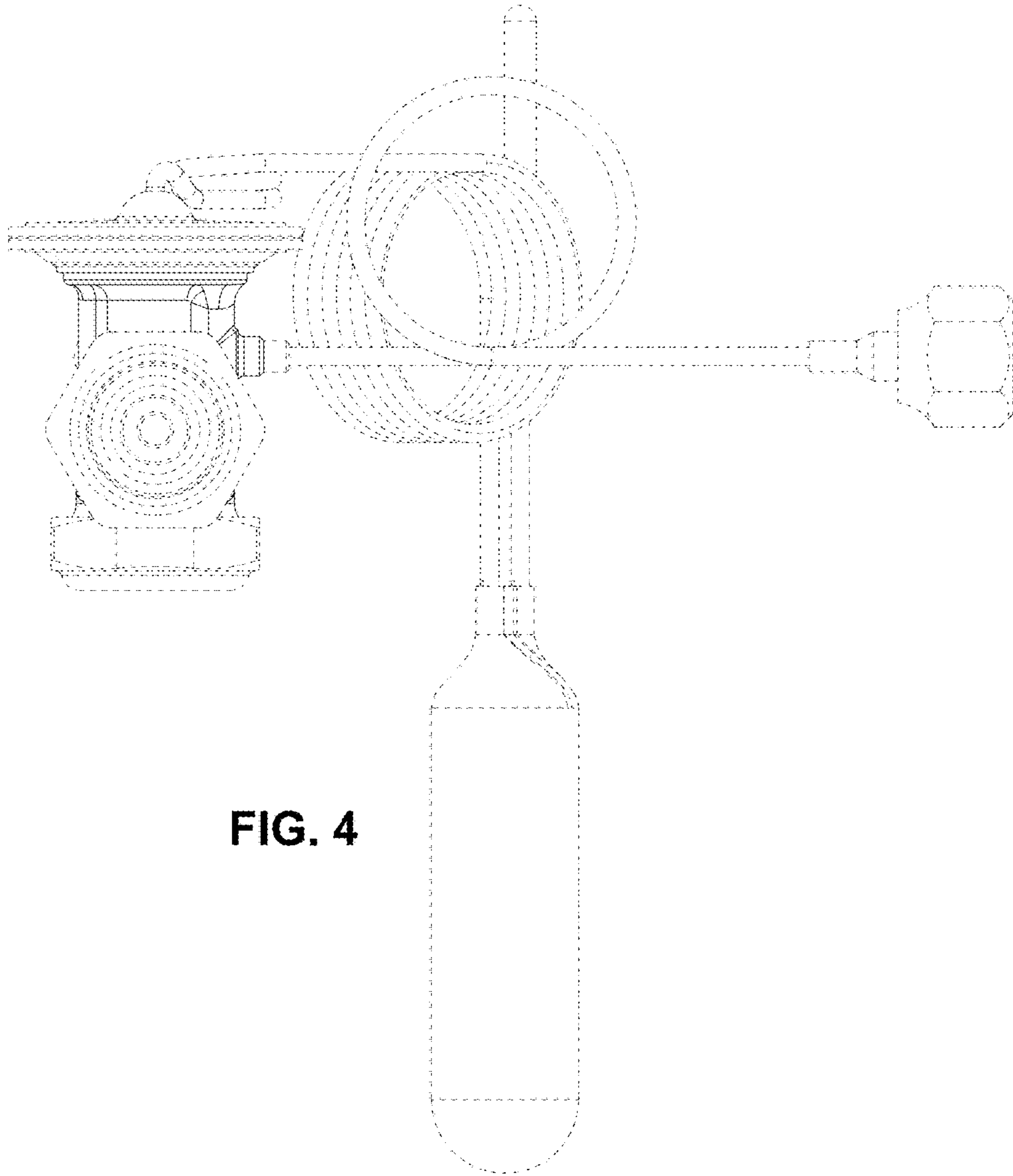


FIG. 4

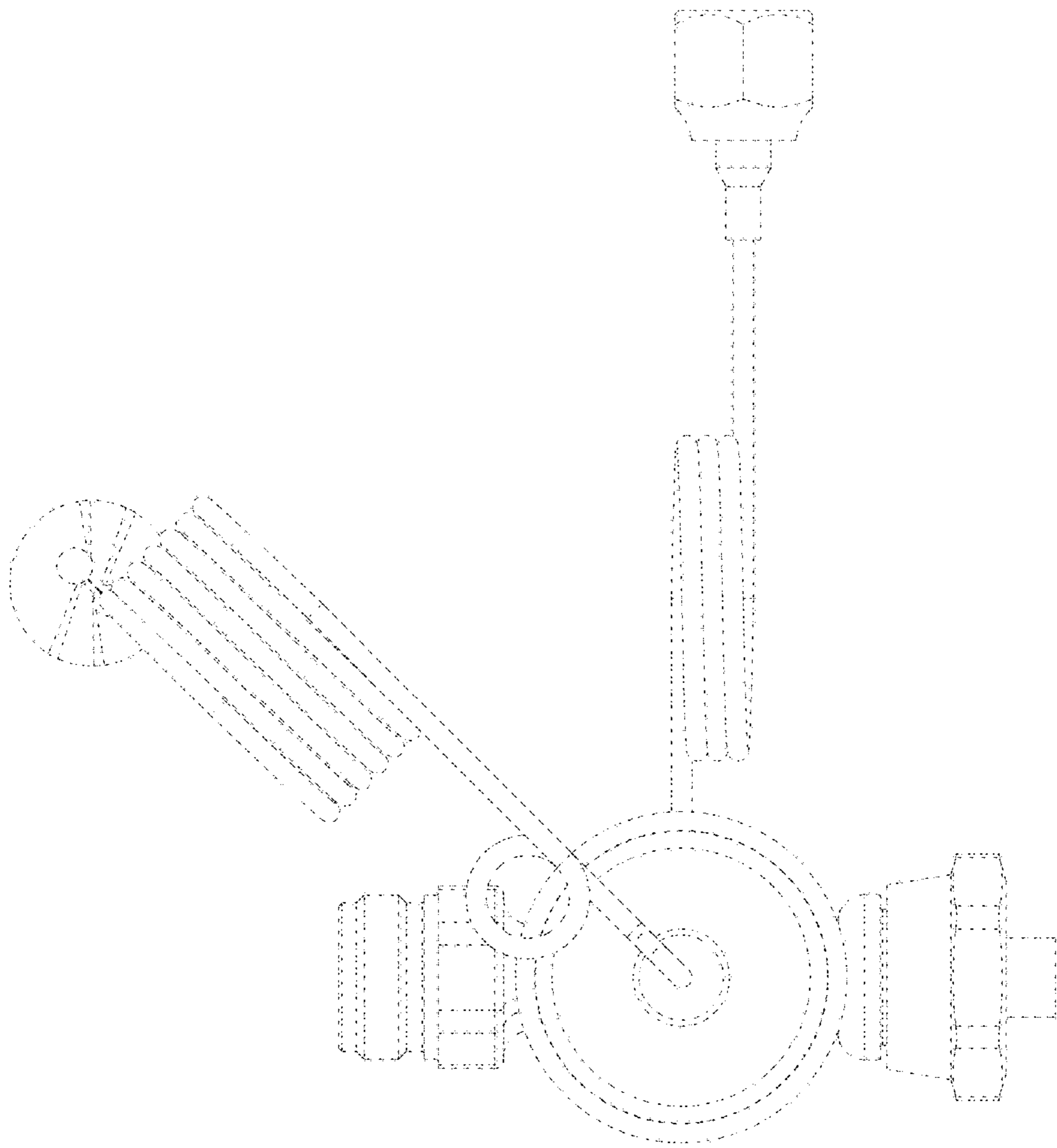


FIG. 5

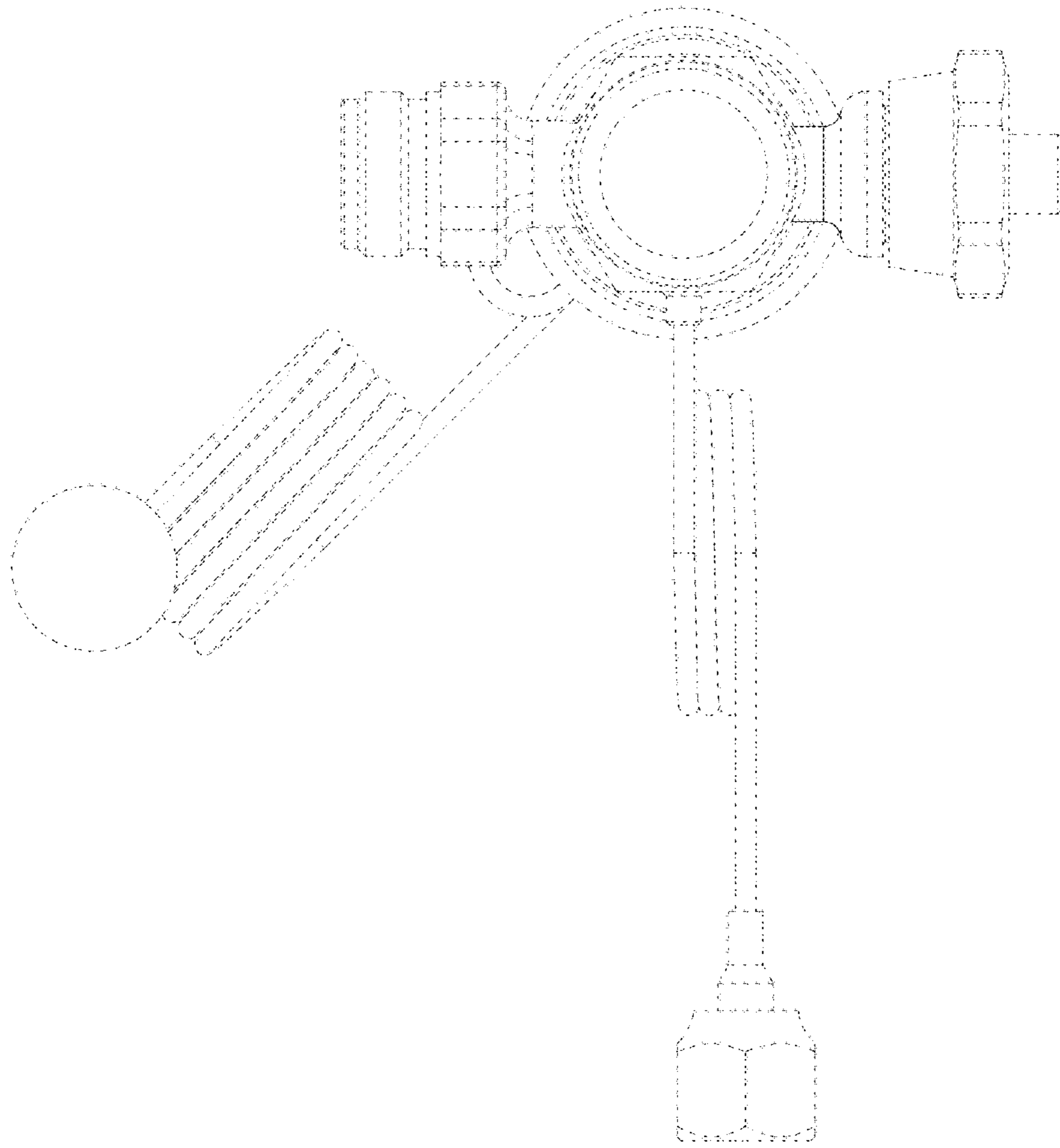


FIG. 6