



US00D855150S

(12) **United States Design Patent** (10) **Patent No.:** **US D855,150 S**
Braun et al. (45) **Date of Patent:** **** Jul. 30, 2019**

(54) **BOWFISHING REEL**

(71) Applicant: **AMS, LLC**, Stratford, WI (US)

(72) Inventors: **Jeff Braun**, Stratford, WI (US); **Tim Morines**, Abbotsford, WI (US)

(73) Assignee: **AMS, LLC**, Stratford, WI (US)

(**) Term: **15 Years**

(21) Appl. No.: **29/674,263**

(22) Filed: **Dec. 20, 2018**

Related U.S. Application Data

(60) Division of application No. 29/615,442, filed on Aug. 29, 2017, now Pat. No. Des. 840,496, which is a continuation of application No. 15/190,595, filed on Jun. 23, 2016, now Pat. No. 10,091,977, and a continuation of application No. 15/290,222, filed on Oct. 11, 2016, now Pat. No. 10,264,771, which is a continuation of application No. 14/270,817, filed on May 6, 2014, now Pat. No. 9,560,840.

(51) **LOC (11) Cl.** **22-05**

(52) **U.S. Cl.**
USPC **D22/140**

(58) **Field of Classification Search**
USPC D22/137-141; 124/23.1, 79, 86; 43/4.5, 43/5-6, 19-22, 24; 242/224, 249, 242/311-312, 319
CPC A01K 89/00; A01K 89/01; A01K 89/006; A01K 89/015; A01K 89/017; A01K 81/04; A01K 89/06; A01K 89/0183; A01K 89/027; F41B 5/1484; F41B 5/1488

See application file for complete search history.

(56) **References Cited**

U.S. PATENT DOCUMENTS

4,383,516 A 5/1983 LaSee
D374,908 S * 10/1996 Koelewyn D22/141

6,375,107 B1 4/2002 Wong
6,634,350 B2 10/2003 LaSee
6,796,522 B2 9/2004 Braun
9,383,160 B1 7/2016 White
D767,086 S * 9/2016 Nago D22/141
D776,232 S * 1/2017 Shimizu D22/141
9,560,840 B2 2/2017 Braun et al.
D789,483 S * 6/2017 Koelewyn D22/141
2012/0285430 A1 11/2012 Dunlop et al.
2014/0332615 A1 11/2014 Braun et al.

(Continued)

Primary Examiner — Catherine R Oliver-Garcia
(74) *Attorney, Agent, or Firm* — Boyle Fredrickson S.C.

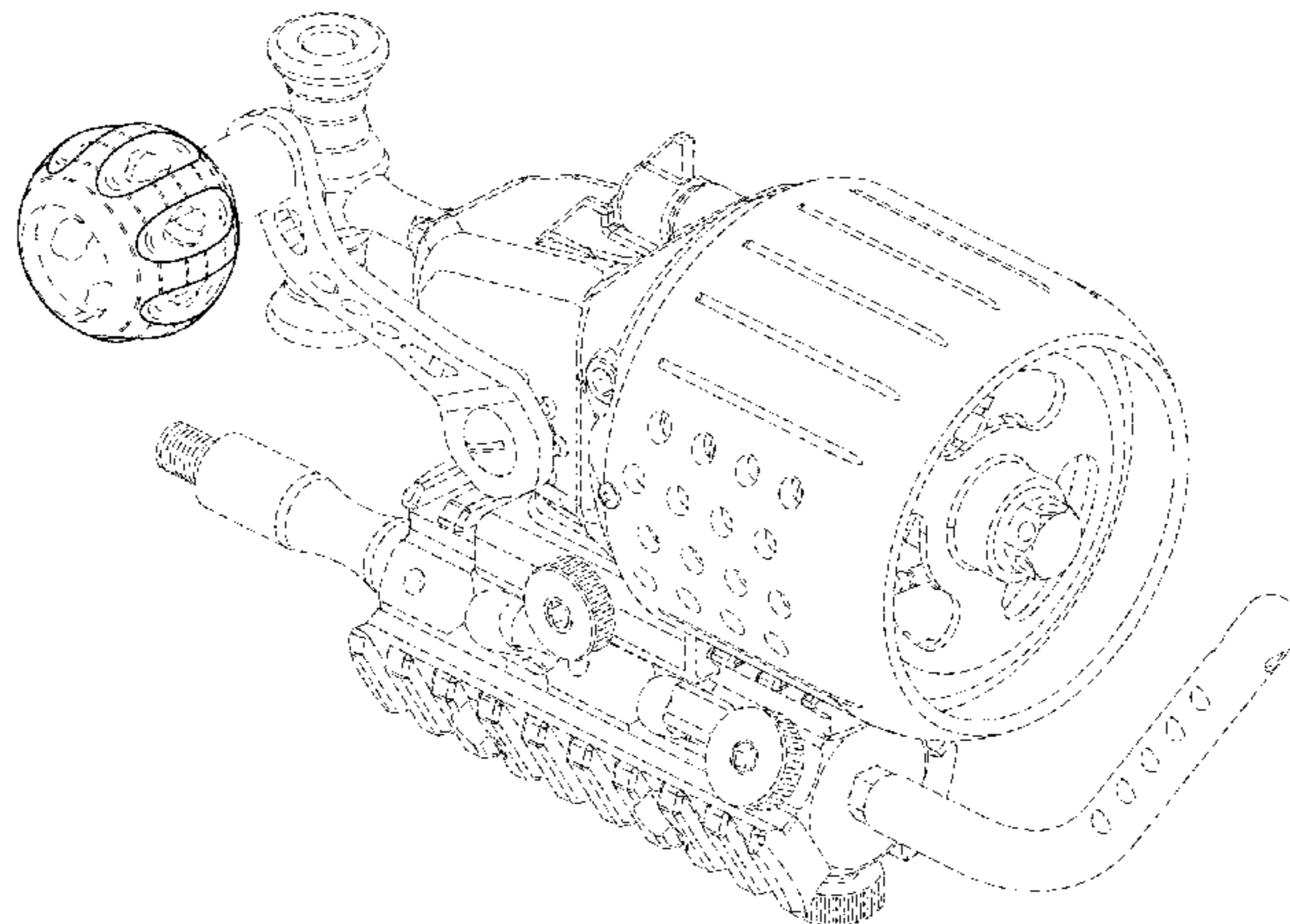
(57) **CLAIM**

The ornamental design for a bowfishing reel, substantially as shown and described.

DESCRIPTION

FIG. 1 is a front, left side perspective view of a bowfishing reel according to the present invention;
FIG. 2 is a rear, right side perspective view of the bowfishing reel of FIG. 1;
FIG. 3 is a left side elevation view of the bowfishing reel of FIG. 1;
FIG. 4 is a right side elevation view of the bowfishing reel of FIG. 1;
FIG. 5 is a front side elevation view of the bowfishing reel of FIG. 1;
FIG. 6 is a rear side elevation view of the bowfishing reel of FIG. 1;
FIG. 7 is a top plan view of the bowfishing reel of FIG. 1; and,
FIG. 8 is a bottom plan view of the bowfishing reel of FIG. 1.
The broken lines are for illustrative purposes and represent environmental structure and unclaimed portions of the invention and therefore form no part of the claimed design.

1 Claim, 8 Drawing Sheets



(56)

References Cited

U.S. PATENT DOCUMENTS

2015/0272101 A1* 10/2015 Kawamata A01K 89/015
242/310
2017/0027145 A1 2/2017 Braun et al.
2017/0295768 A1 10/2017 Noble et al.

* cited by examiner

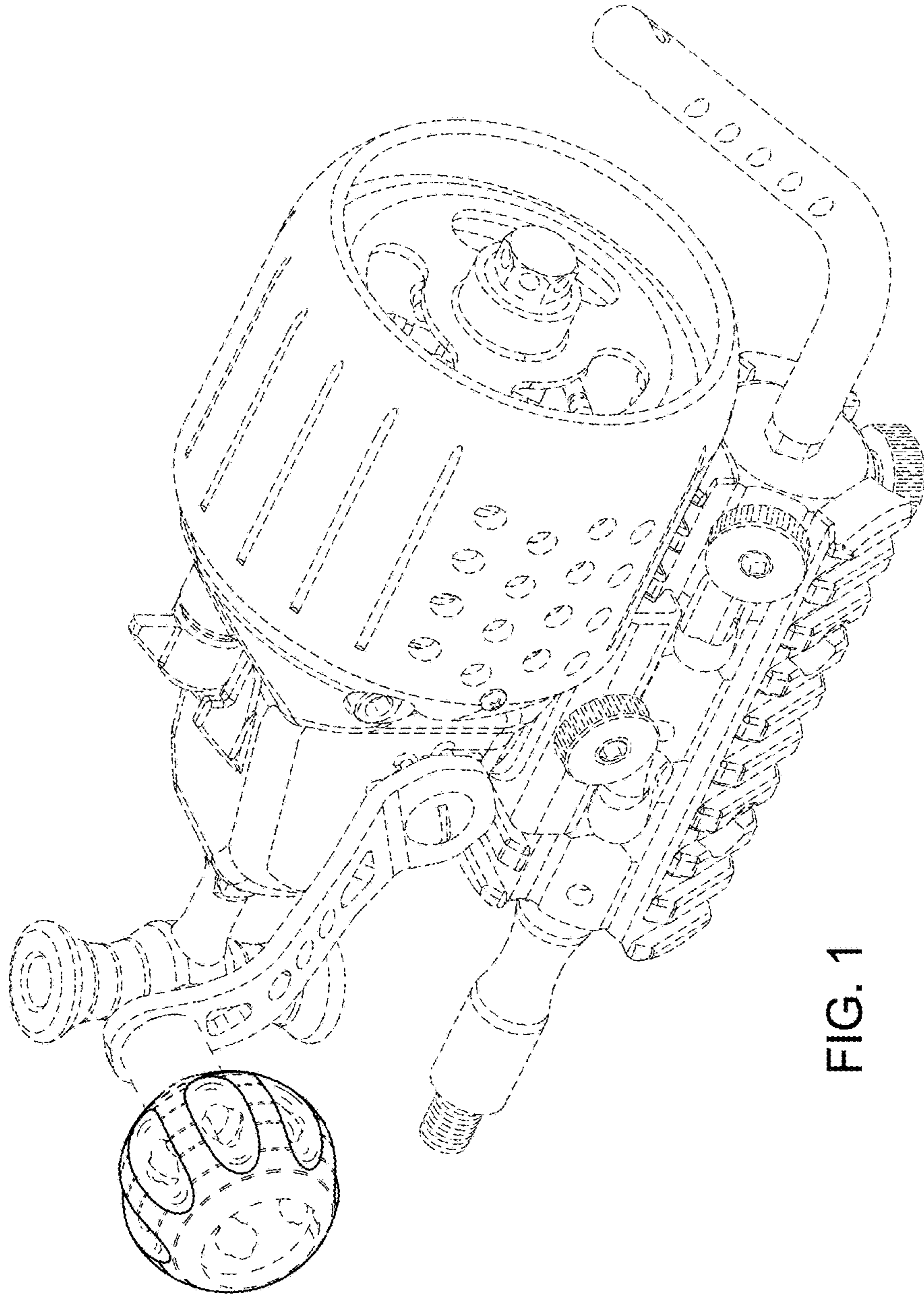


FIG. 1

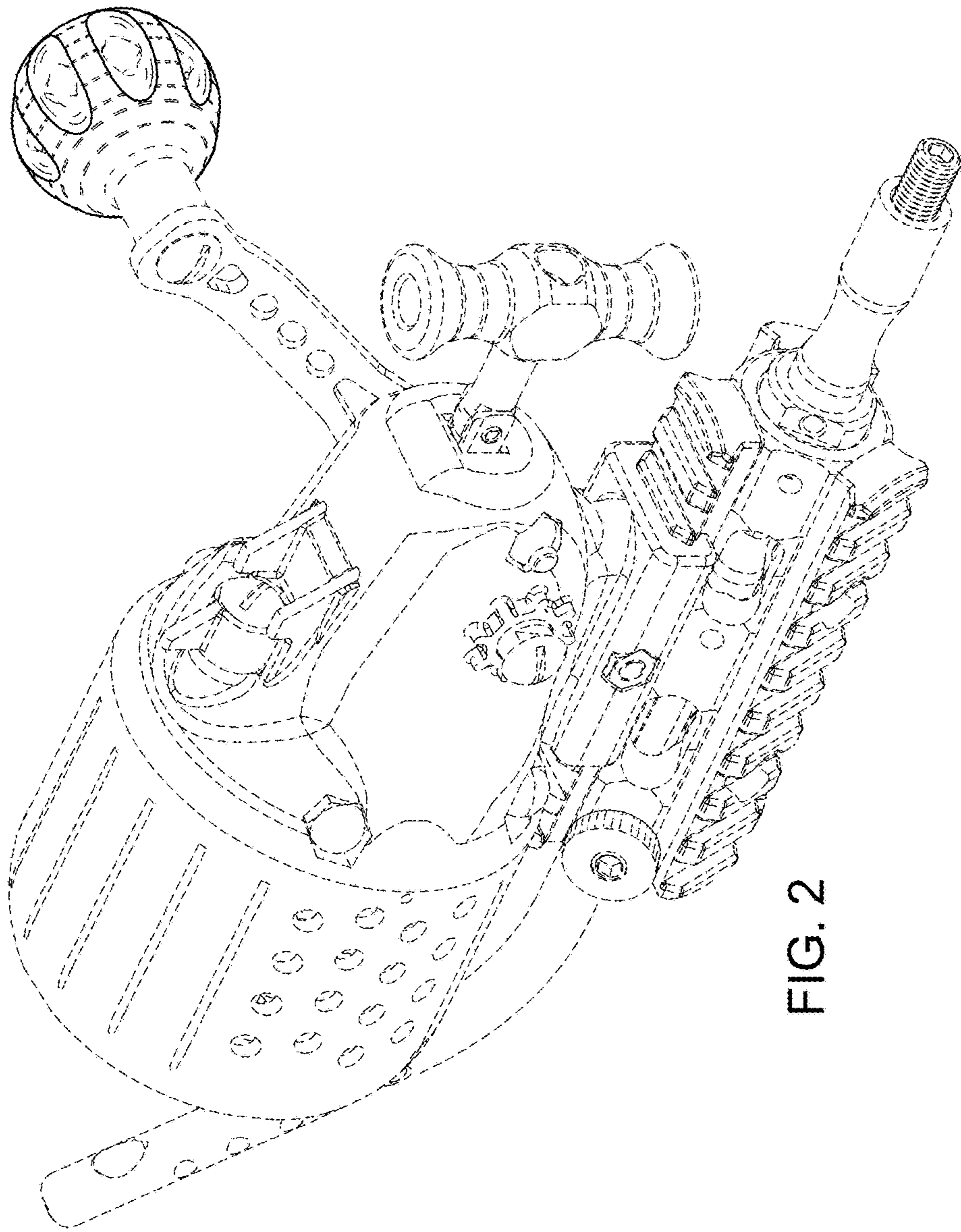


FIG. 2

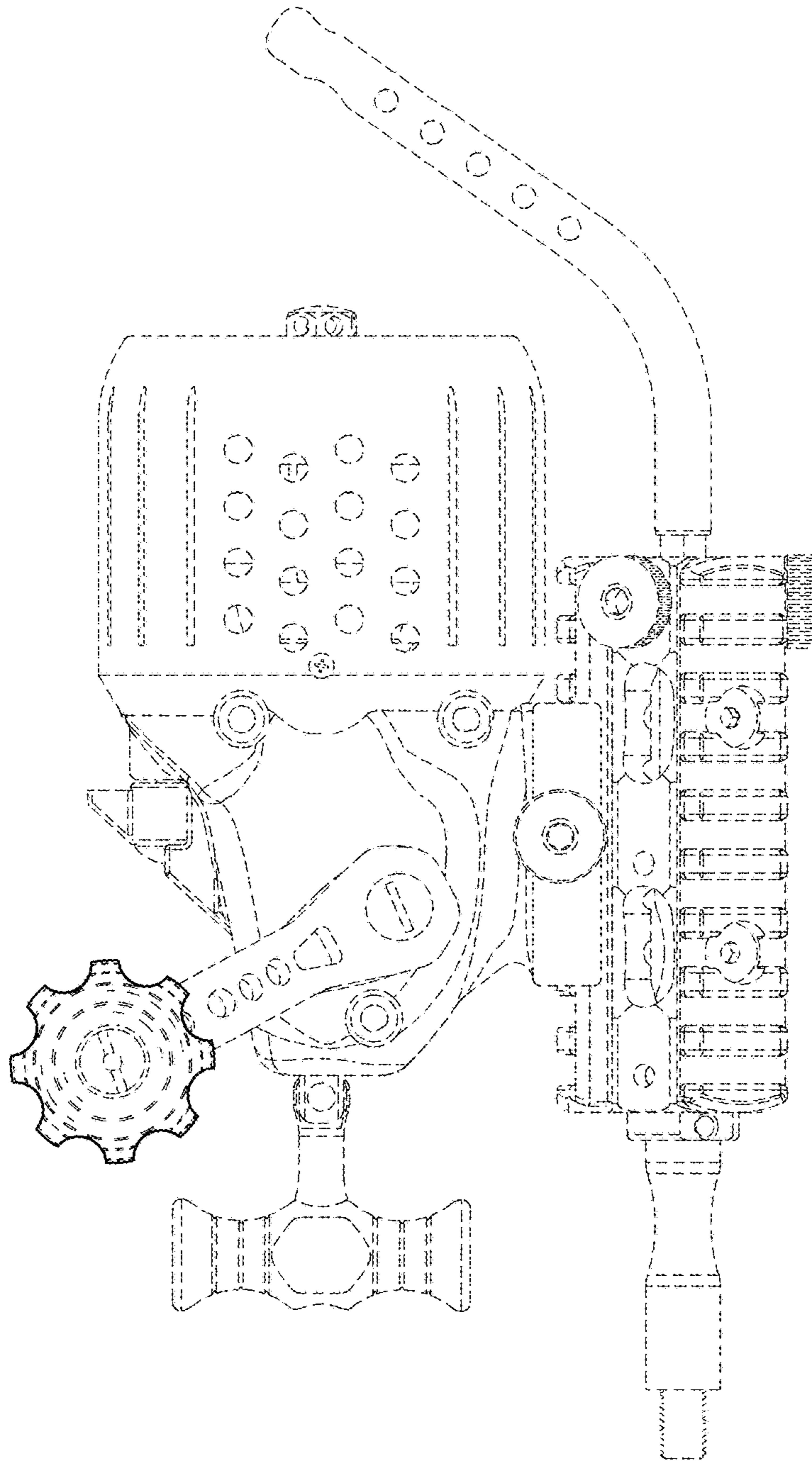


FIG. 3

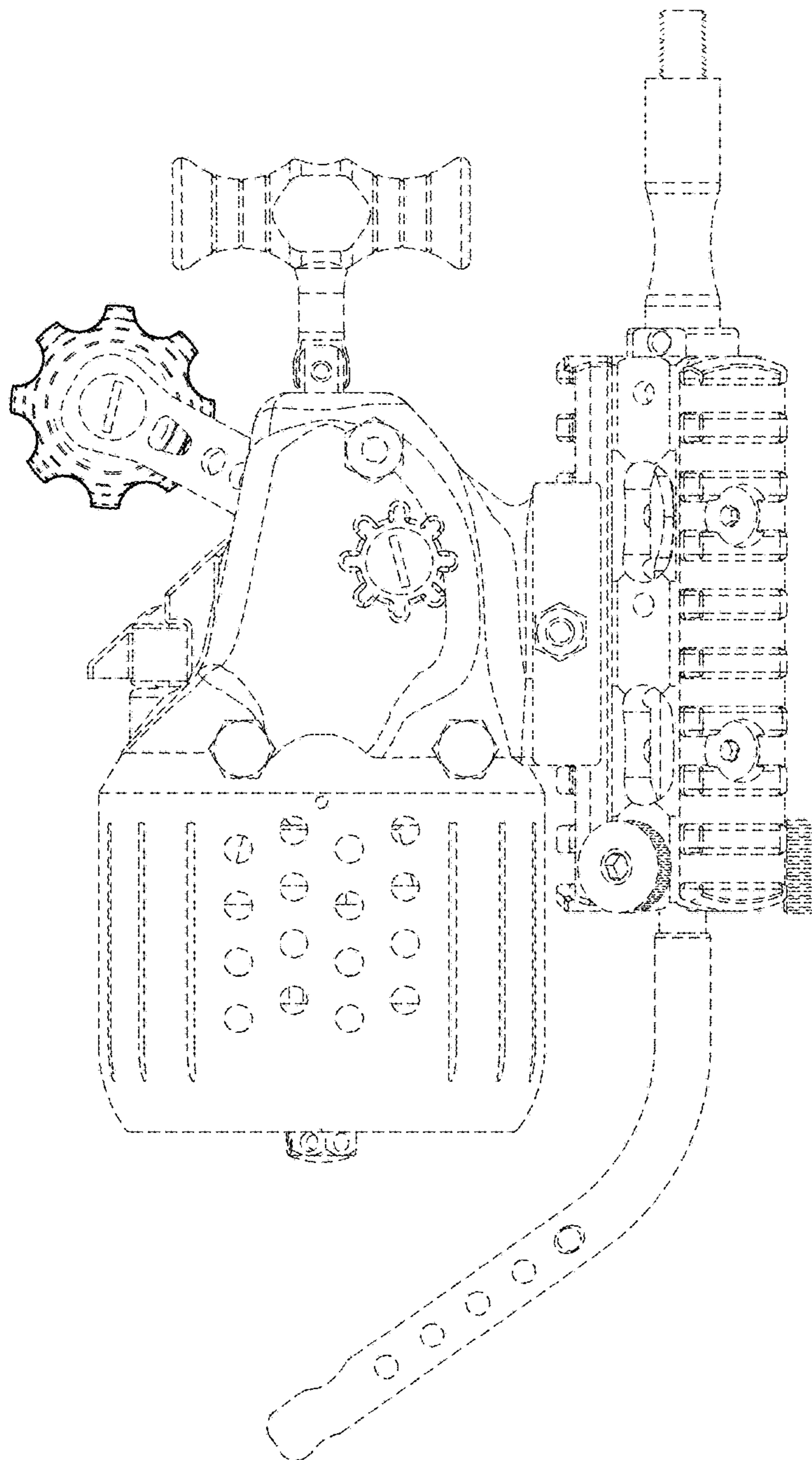


FIG. 4

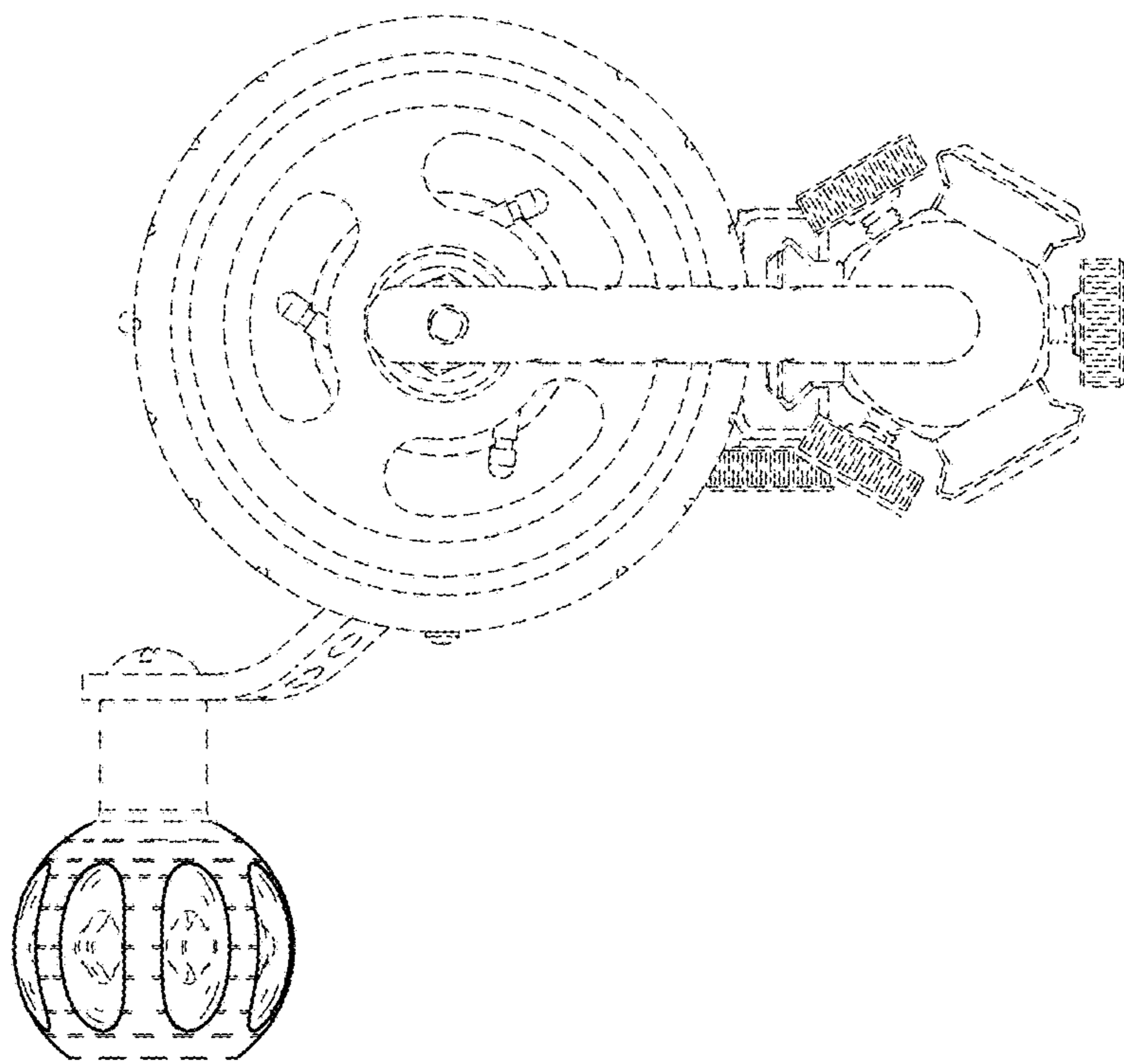


FIG. 5

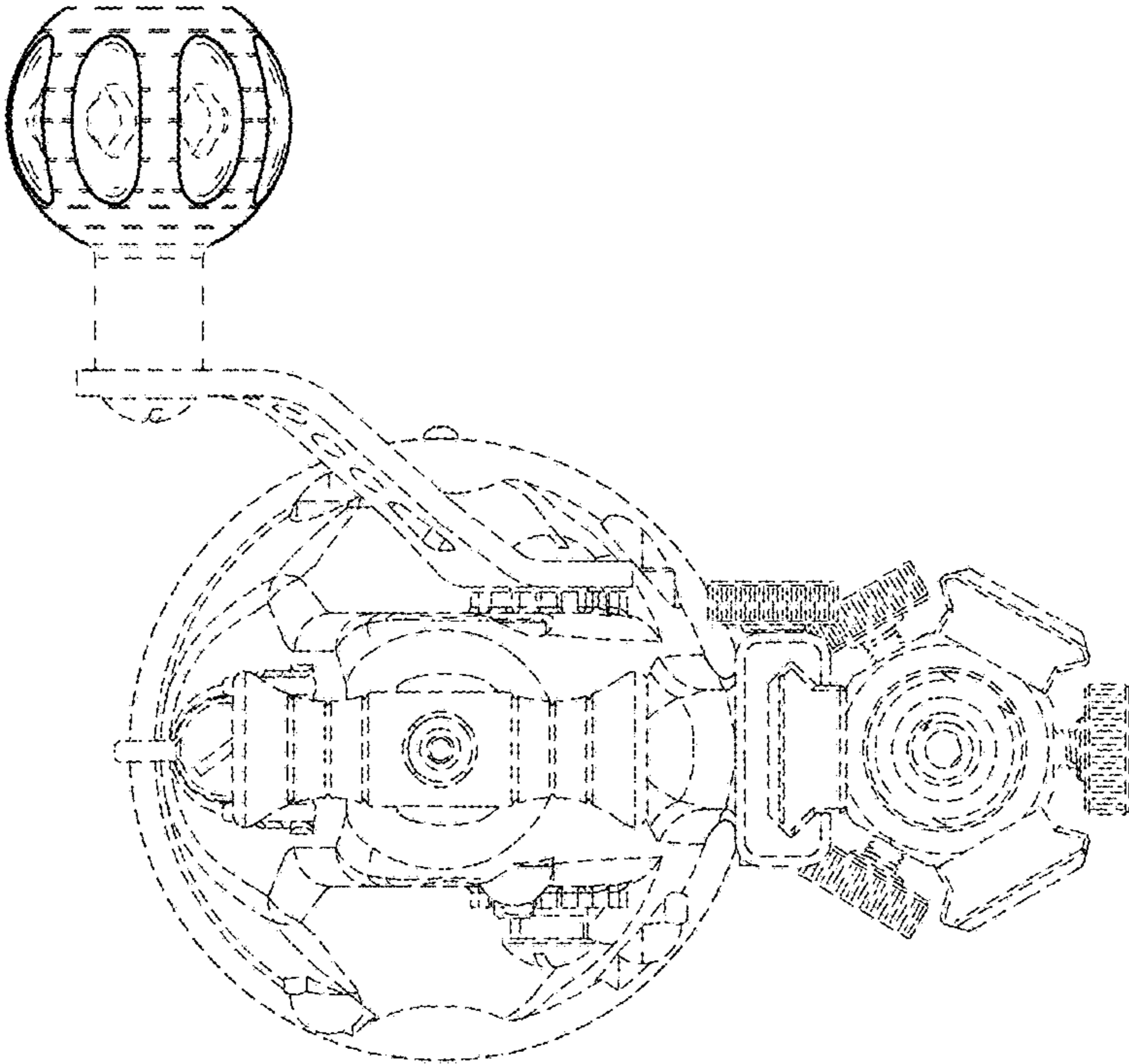


FIG. 6

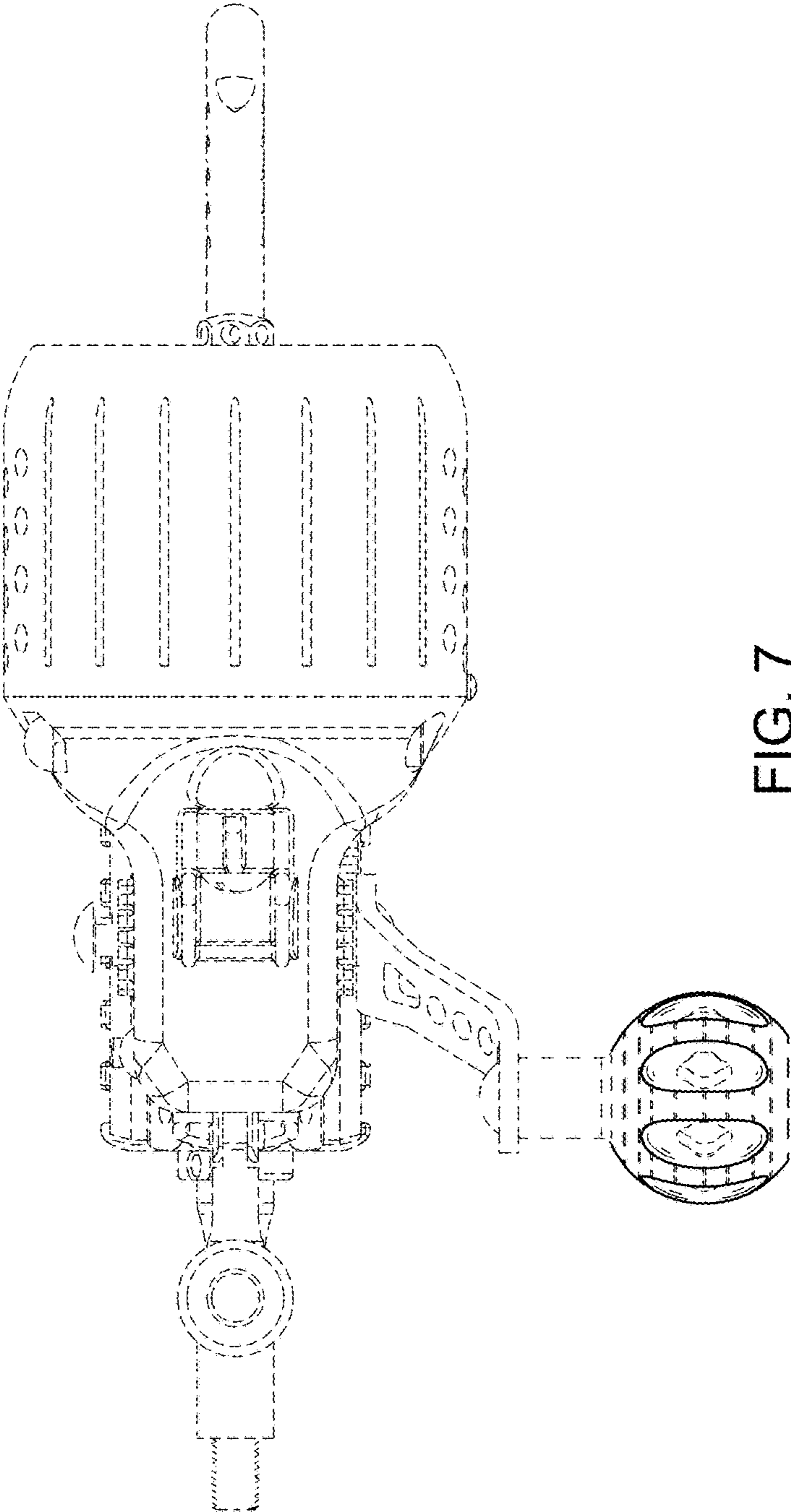


FIG. 7

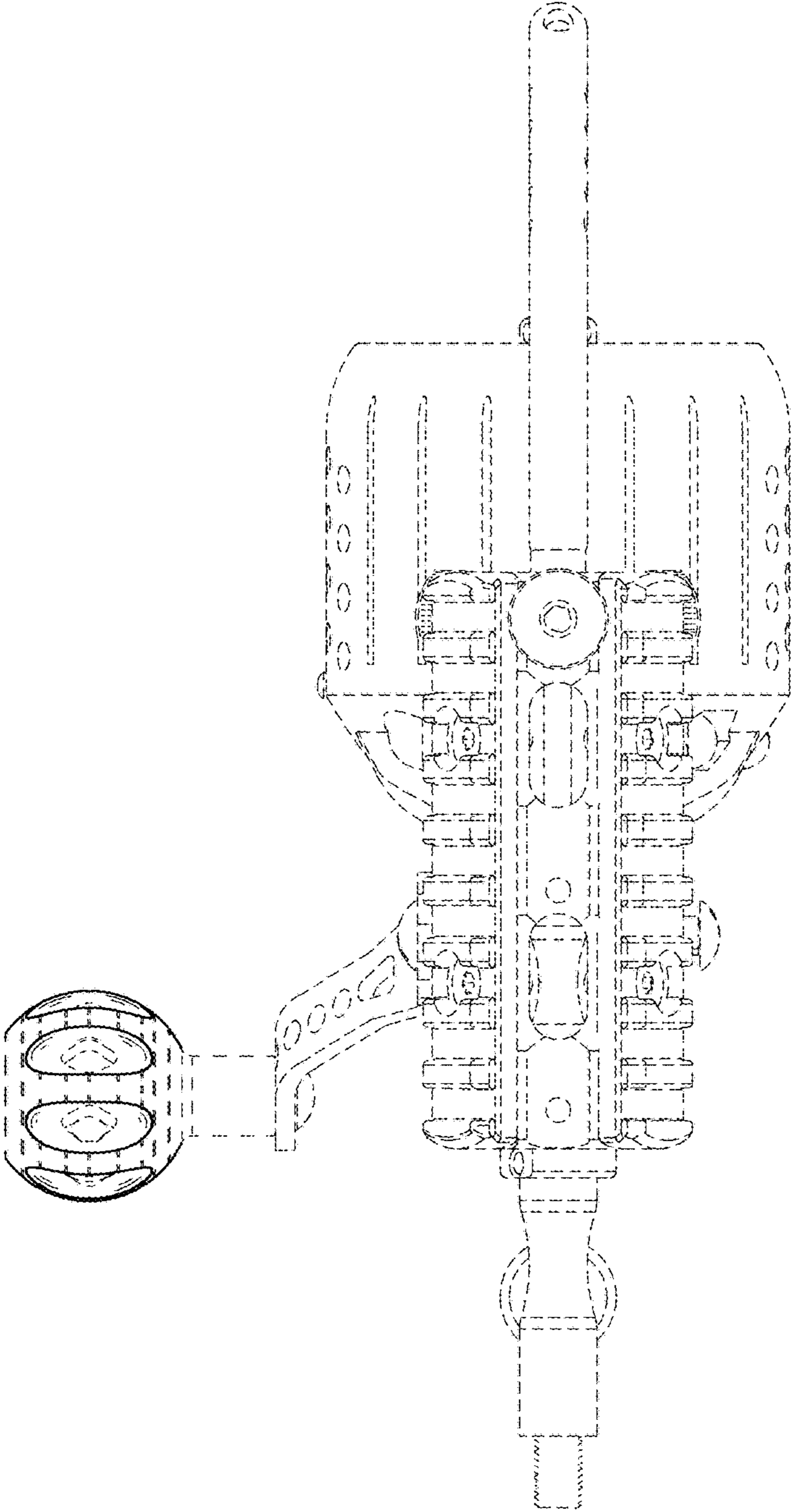


FIG. 8