



US00D855149S

(12) **United States Design Patent** (10) **Patent No.:** **US D855,149 S**  
**Braun et al.** (45) **Date of Patent:** **\*\* Jul. 30, 2019**

(54) **BOWFISHING REEL**

(56) **References Cited**

(71) Applicant: **AMS, LLC**, Stratford, WI (US)

U.S. PATENT DOCUMENTS

(72) Inventors: **Jeff Braun**, Stratford, WI (US); **Tim Morines**, Abbotsford, WI (US)

4,383,516	A	5/1983	LaSee	
D360,928	S *	8/1995	Bogner	D22/140
D450,369	S *	11/2001	Oh	D22/140
6,375,107	B1	4/2002	Wong	
6,634,350	B2	10/2003	LaSee	
6,796,522	B2	9/2004	Braun	
D525,339	S *	7/2006	Smith	D22/140
9,383,160	B1	7/2016	White	
9,560,840	B2	2/2017	Braun et al.	
2012/0285430	A1	11/2012	Dunlop et al.	
2014/0332615	A1	11/2014	Braun et al.	

(73) Assignee: **AMS, LLC**, Stratford, WI (US)

(\*\*) Term: **15 Years**

(21) Appl. No.: **29/674,260**

(22) Filed: **Dec. 20, 2018**

(Continued)

*Primary Examiner* — Catherine R Oliver-Garcia  
(74) *Attorney, Agent, or Firm* — Boyle Fredrickson S.C.

**Related U.S. Application Data**

(57) **CLAIM**

(60) Division of application No. 29/615,442, filed on Aug. 29, 2017, now Pat. No. Des. 840,496, which is a continuation of application No. 15/190,595, filed on Jun. 23, 2016, and a continuation of application No. 15/290,222, filed on Oct. 11, 2016, now Pat. No. 10,091,977, which is a continuation of application No. 14/270,817, filed on May 6, 2014, now Pat. No. 9,560,840.

The ornamental design for a bowfishing reel, substantially as shown and described.

**DESCRIPTION**

(51) **LOC (11) Cl.** ..... **22-05**

(52) **U.S. Cl.**  
USPC ..... **D22/140**

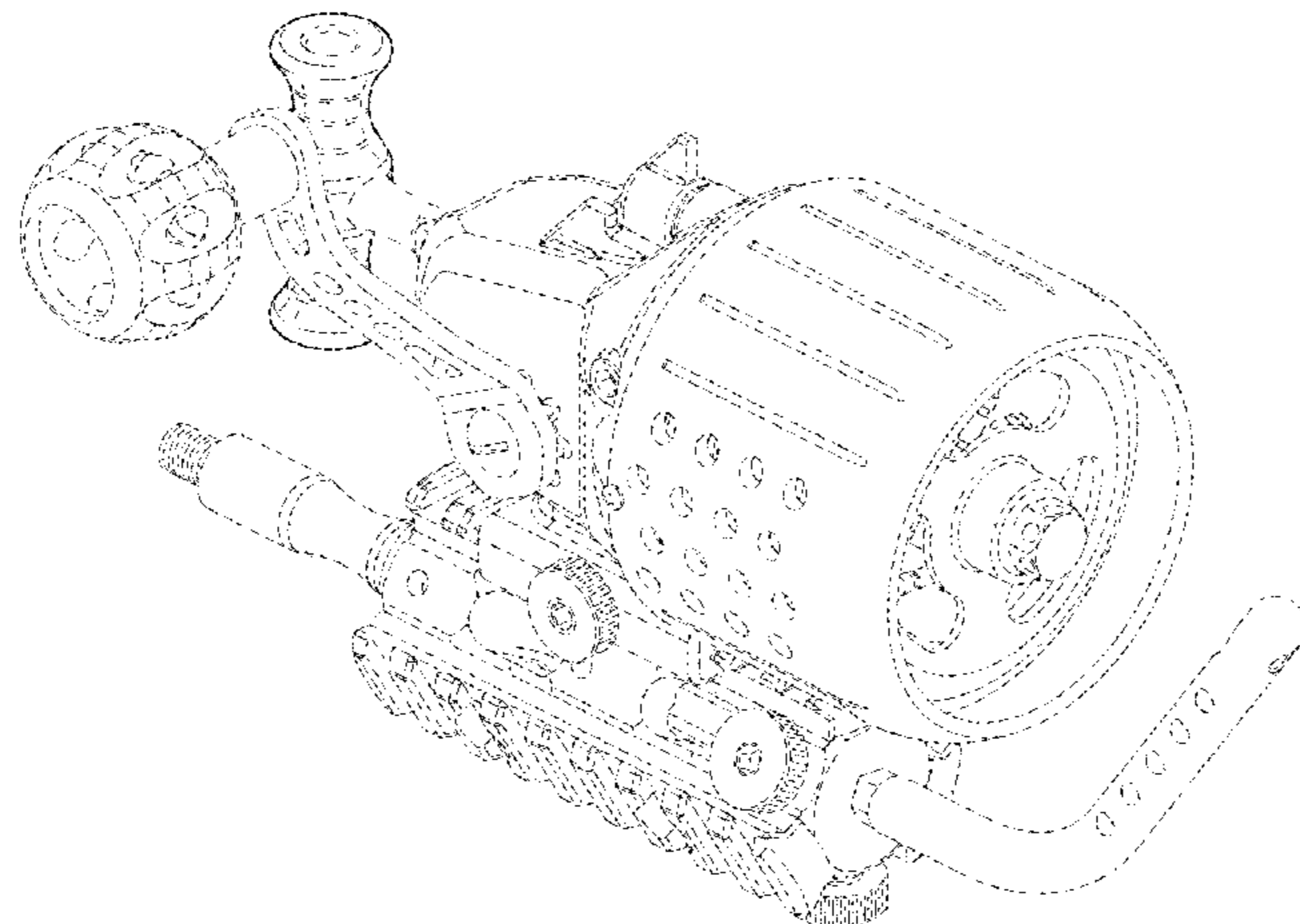
(58) **Field of Classification Search**  
USPC ..... D22/137-141; 124/23.1, 79, 86; 43/4.5, 43/5-6, 19-22, 24; 242/224, 249, 242/311-312, 319  
CPC ..... A01K 89/00; A01K 89/01; A01K 89/006; A01K 89/015; A01K 89/017; A01K 81/04; A01K 89/06; A01K 89/0183; A01K 89/027; F41B 5/1484; F41B 5/1488

FIG. 1 is a front, left side perspective view of a bowfishing reel according to the present invention;  
FIG. 2 is a rear, right side perspective view of the bowfishing reel of FIG. 1;  
FIG. 3 is a left side elevation view of the bowfishing reel of FIG. 1;  
FIG. 4 is a right side elevation view of the bowfishing reel of FIG. 1;  
FIG. 5 is a front side elevation view of the bowfishing reel of FIG. 1;  
FIG. 6 is a rear side elevation view of the bowfishing reel of FIG. 1;  
FIG. 7 is a top plan view of the bowfishing reel of FIG. 1; and,  
FIG. 8 is a bottom plan view of the bowfishing reel of FIG. 1.

The broken lines are for illustrative purposes and represent environmental structure and unclaimed portions of the invention and therefore form no part of the claimed design.

See application file for complete search history.

**1 Claim, 8 Drawing Sheets**



(56)

**References Cited**

U.S. PATENT DOCUMENTS

2017/0027145 A1 2/2017 Braun et al.  
2017/0295768 A1 10/2017 Noble et al.

\* cited by examiner

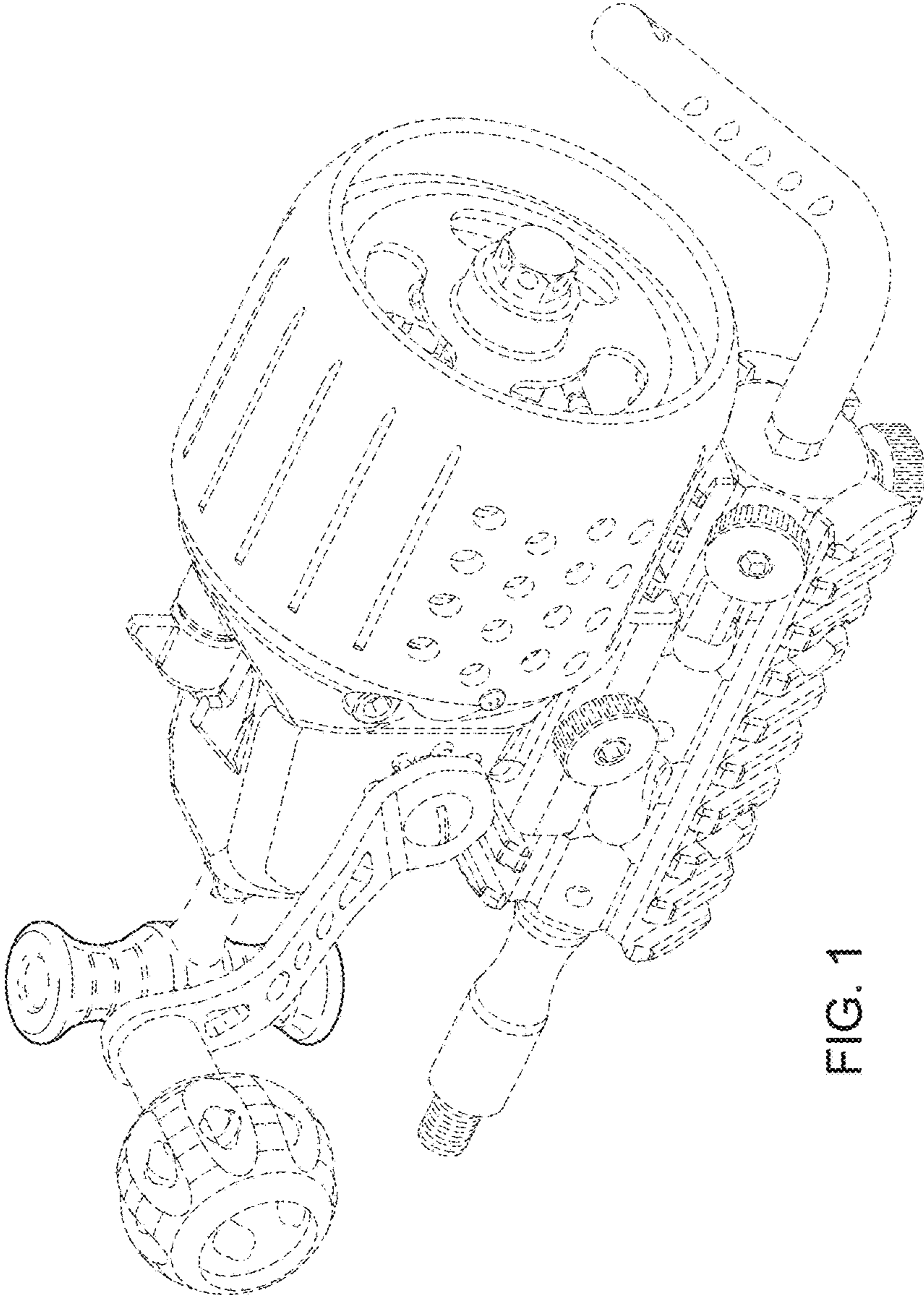


FIG. 1

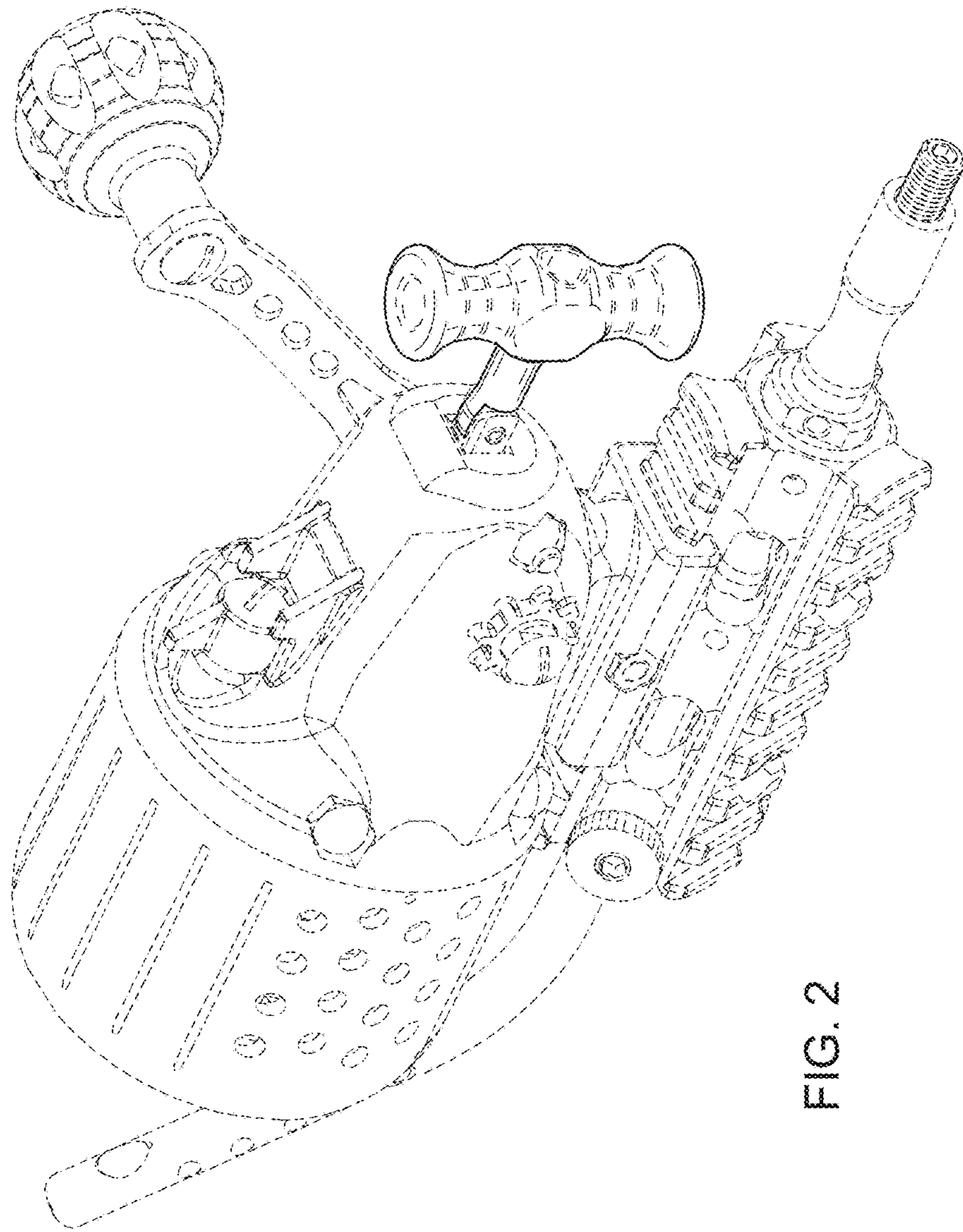


FIG. 2



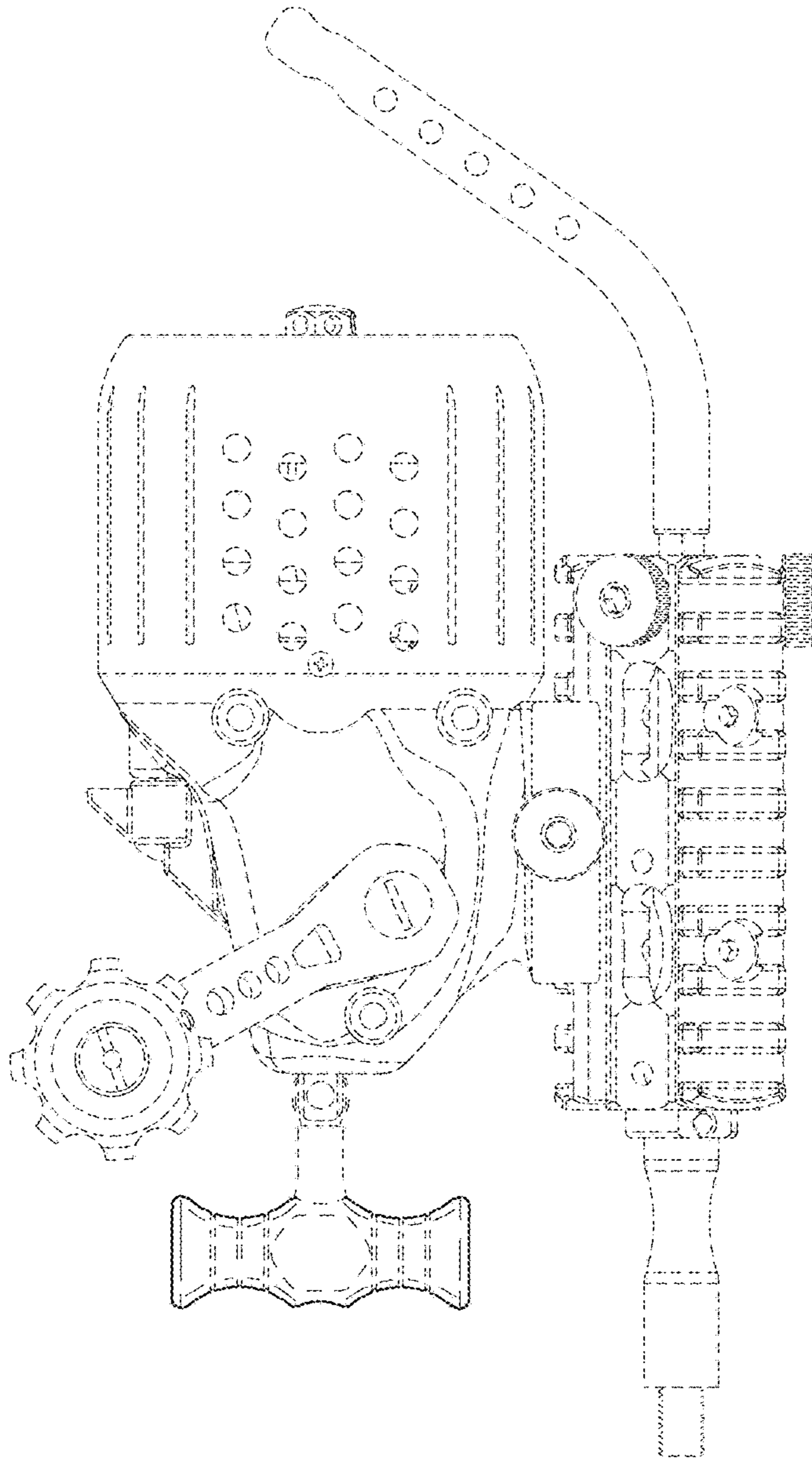


FIG. 3

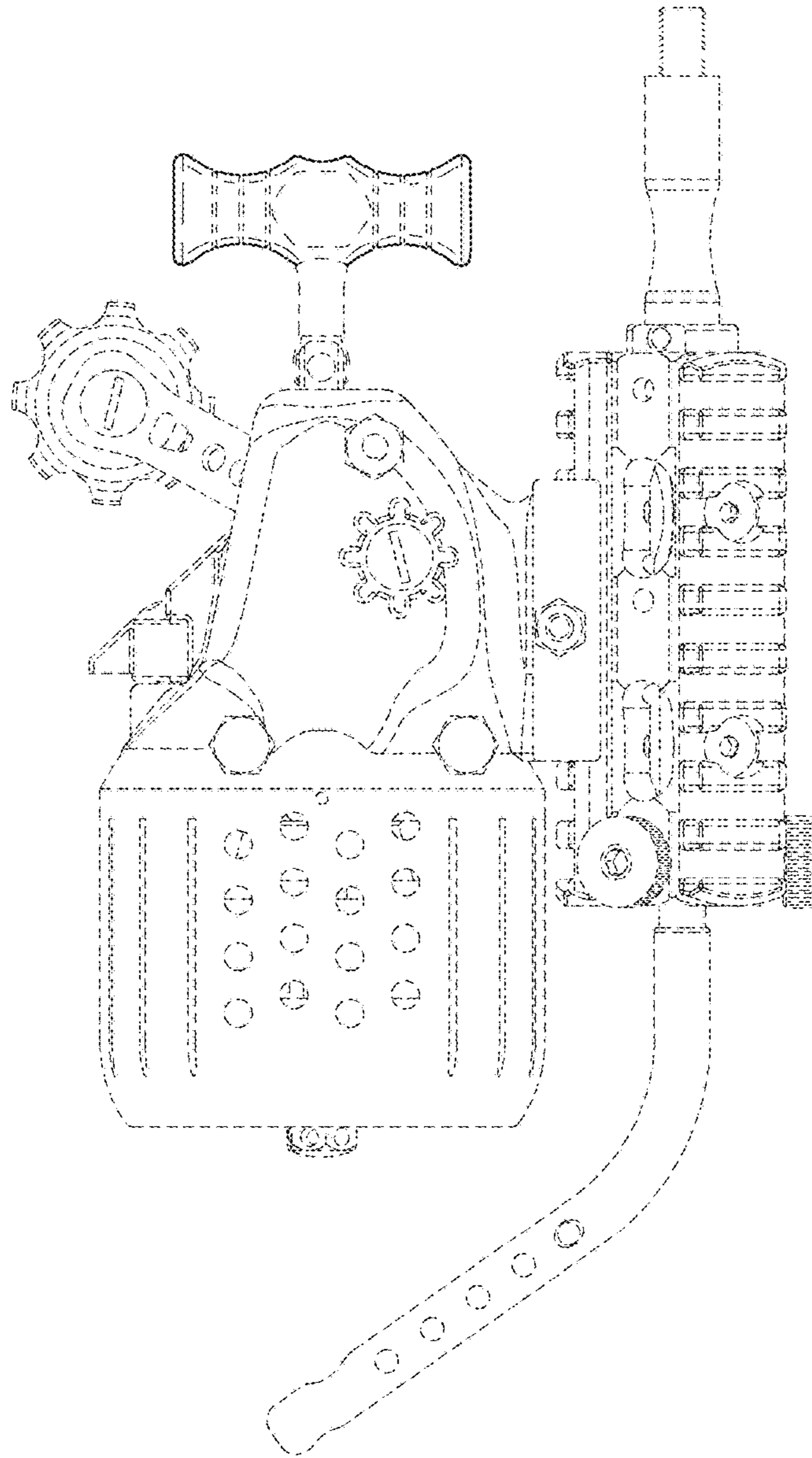


FIG. 4

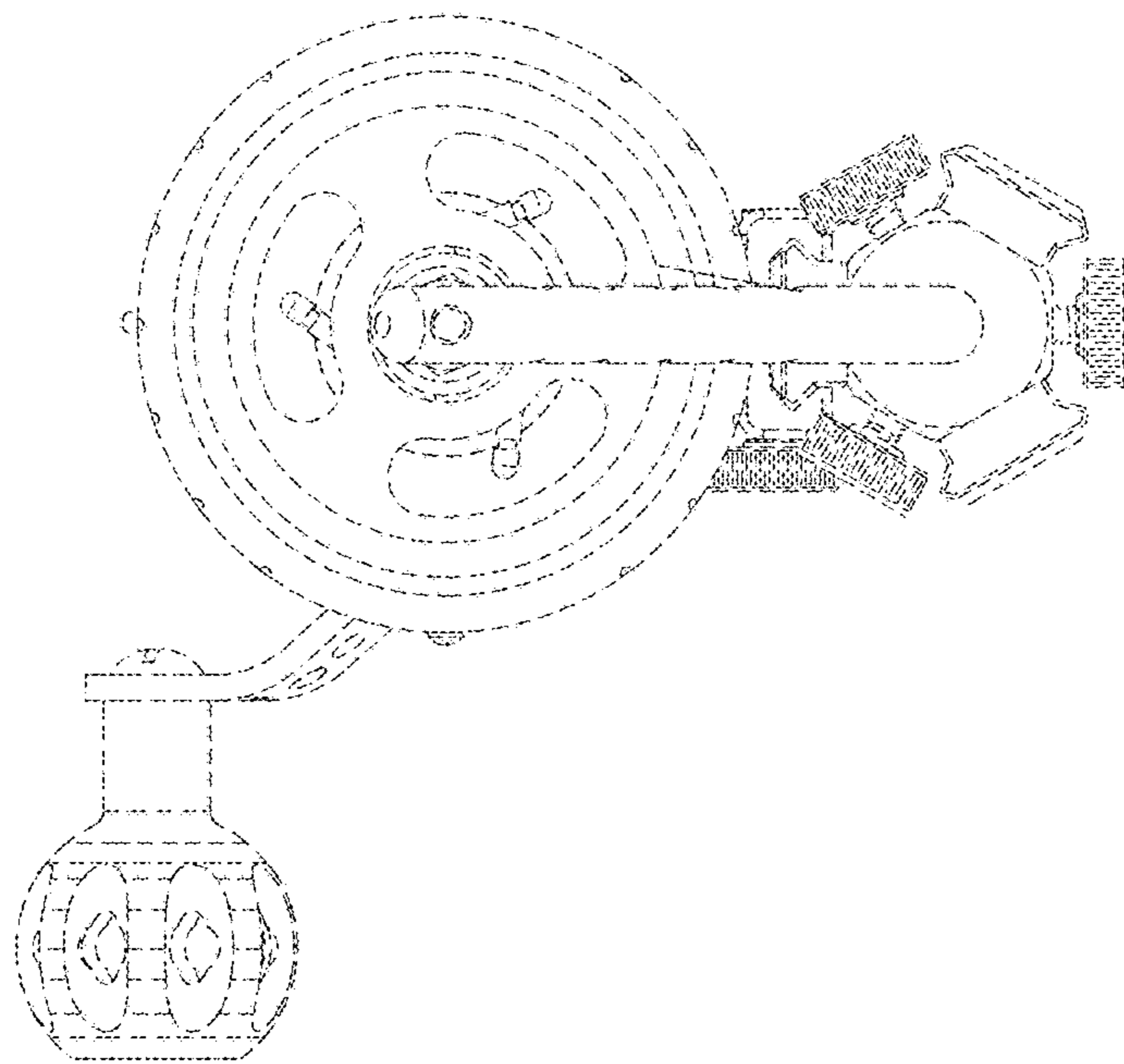


FIG. 5

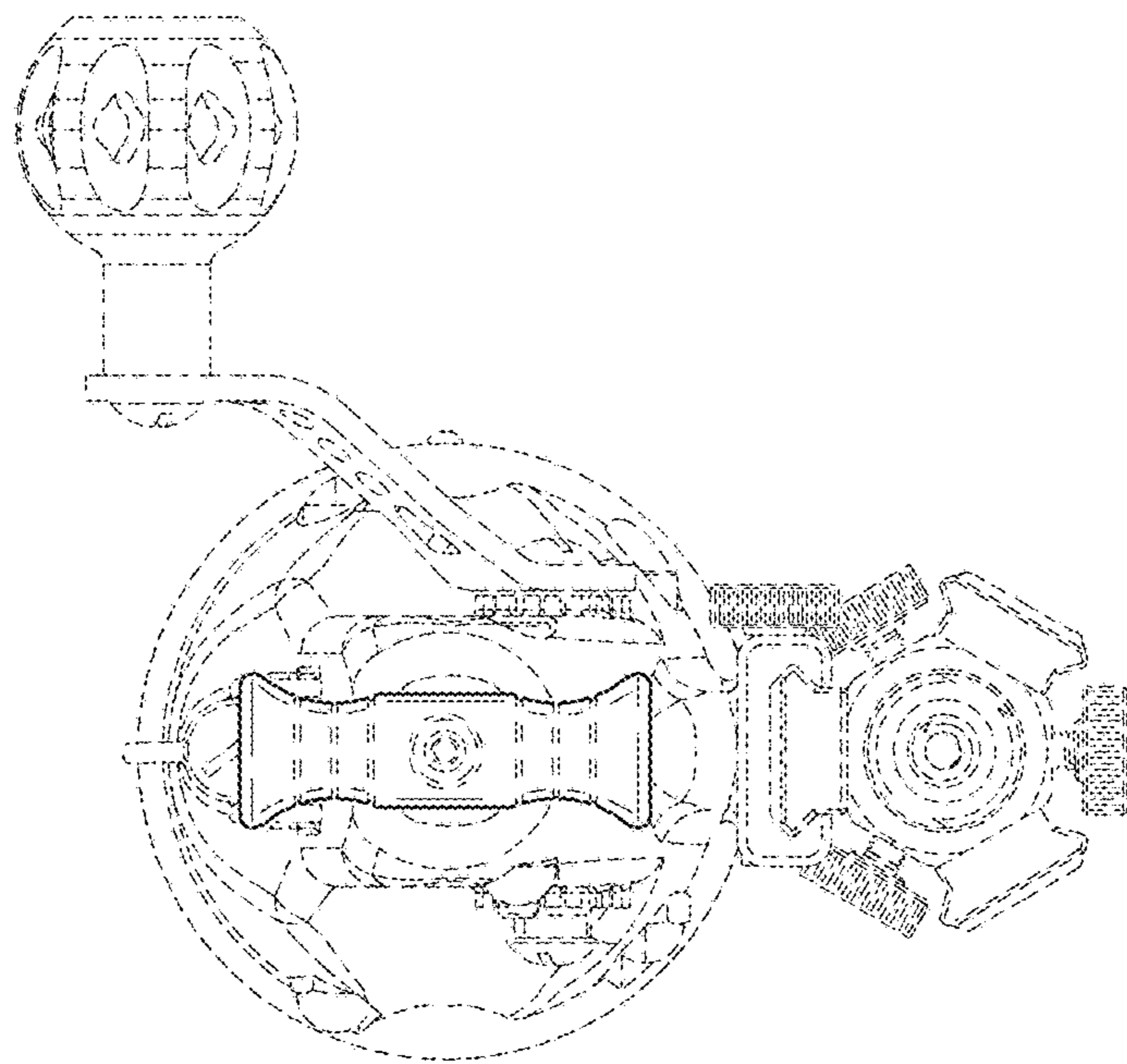


FIG. 6



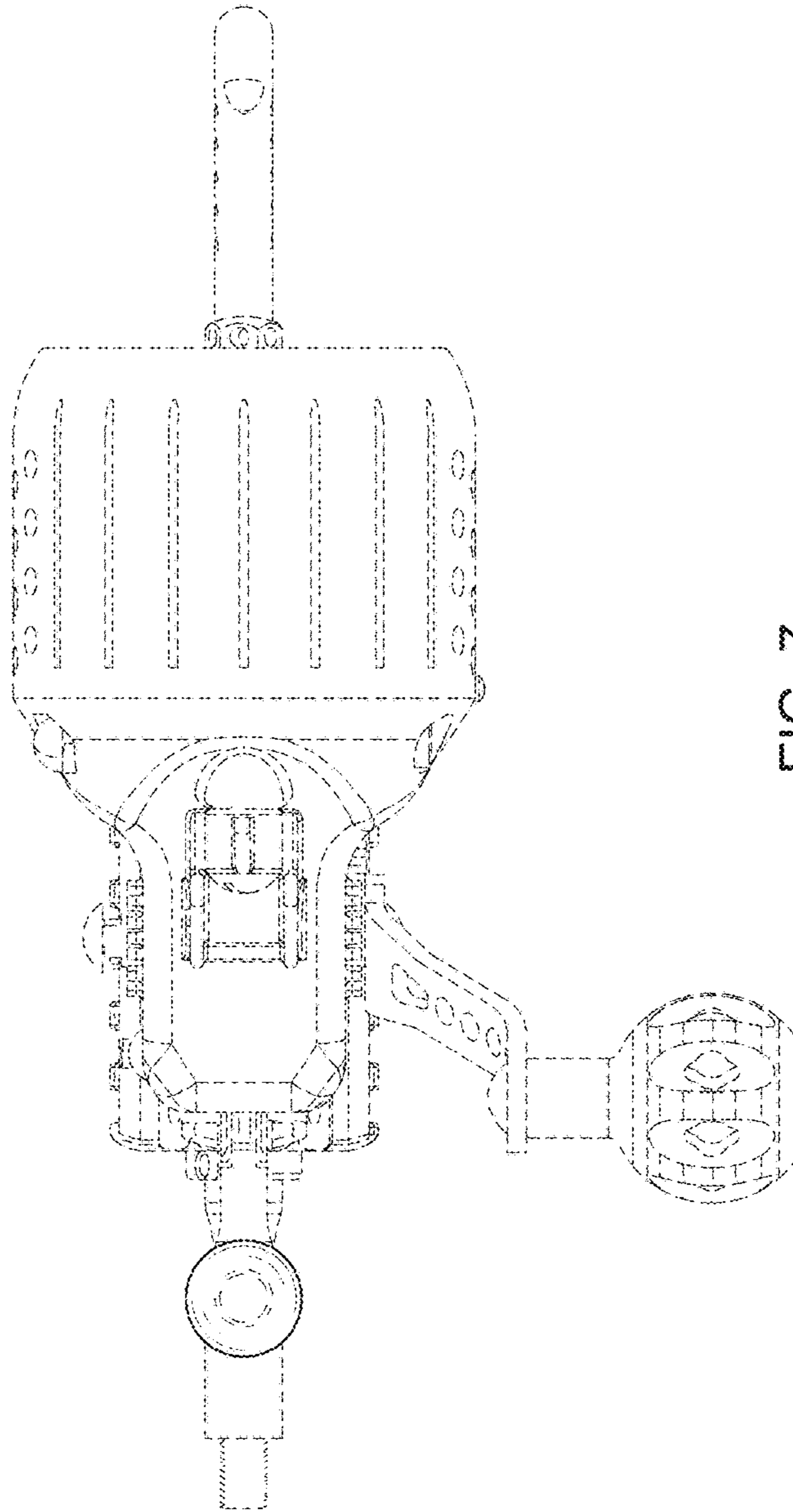


FIG. 7

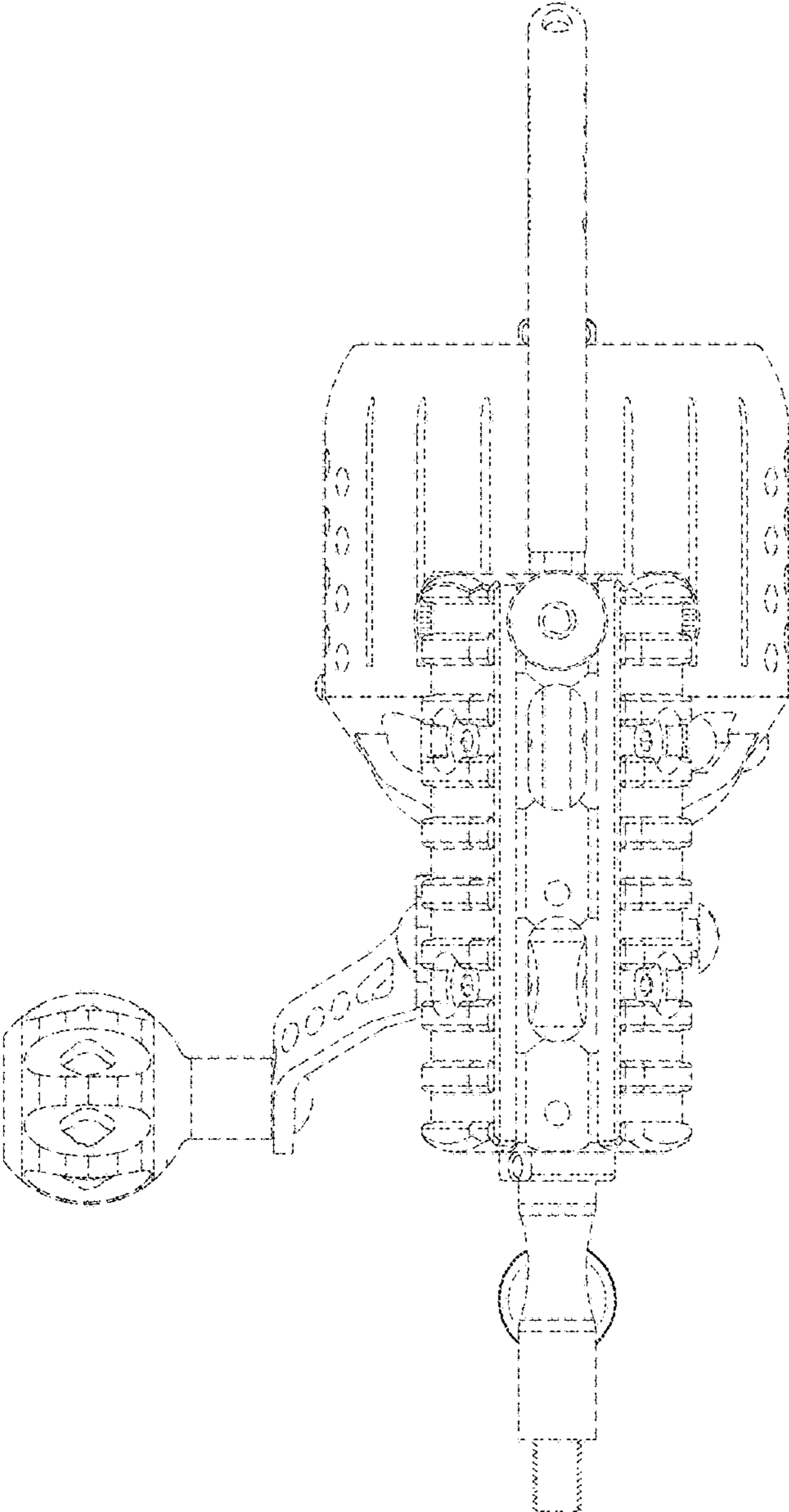


FIG. 8