



US00D855148S

(12) **United States Design Patent**  
**Xu**

(10) **Patent No.:** **US D855,148 S**  
(45) **Date of Patent:** **\*\* Jul. 30, 2019**

(54) **DIDDLE NET WITH ARC-SHAPED HANDLE**

(71) Applicant: **Hangzhou Fufan Industrial Co. Ltd.**,  
Hangzhou (CN)

(72) Inventor: **Hongjian Xu**, Hangzhou (CN)

(73) Assignee: **Hangzhou Fufan Industrial Co. Ltd.**,  
Hangzhou (CN)

(\*\*) Term: **15 Years**

(21) Appl. No.: **29/625,886**

(22) Filed: **Nov. 14, 2017**

(30) **Foreign Application Priority Data**

Aug. 16, 2017 (CN) ..... 2017 3 0376512

(51) **LOC (11) Cl.** ..... **22-05**

(52) **U.S. Cl.**  
USPC ..... **D22/135**

(58) **Field of Classification Search**  
USPC ..... D21/729-732; D22/134-135  
CPC ..... A63B 49/00-49/14; A63B  
2049/0201-2049/103; A63B 59/80; A63B  
59/00; A63B 59/40; A63B 59/42; A63B  
59/45; A63B 60/00; A63B 60/46; A63B  
51/00; A63B 2102/00; A63B 2102/10;  
A63B 2102/12; A63B 2102/16; A63B  
2102/26; A63B 2102/28; A63B 2102/30;  
A63B 2102/38; A01K 77/00; A01K  
75/00; A01K 97/00

See application file for complete search history.

(56) **References Cited**

**U.S. PATENT DOCUMENTS**

752,550 A \* 2/1904 Heritage ..... A01K 77/00  
43/12  
801,246 A \* 10/1905 Johnson ..... A63B 51/02  
473/543

1,536,255 A \* 5/1925 Beal ..... A63B 60/06  
473/530  
3,545,755 A \* 12/1970 Owada ..... A63B 49/00  
473/526  
4,147,348 A \* 4/1979 Lee ..... A63B 49/08  
473/526  
4,402,508 A \* 9/1983 Pflueger ..... A63B 49/08  
473/551  
4,659,080 A \* 4/1987 Stoller ..... A63B 49/08  
473/526  
D291,222 S \* 8/1987 Kiraly ..... D21/730  
4,743,021 A \* 5/1988 Gonzales, Jr. .... A63B 49/08  
473/526  
4,759,546 A \* 7/1988 Steele, Jr. .... A63B 49/08  
473/526  
4,815,227 A \* 3/1989 Flanders, Sr. .... A01K 77/00  
43/11

(Continued)

*Primary Examiner* — Mitchell I. Siegel

(74) *Attorney, Agent, or Firm* — Gokalp Bayramoglu

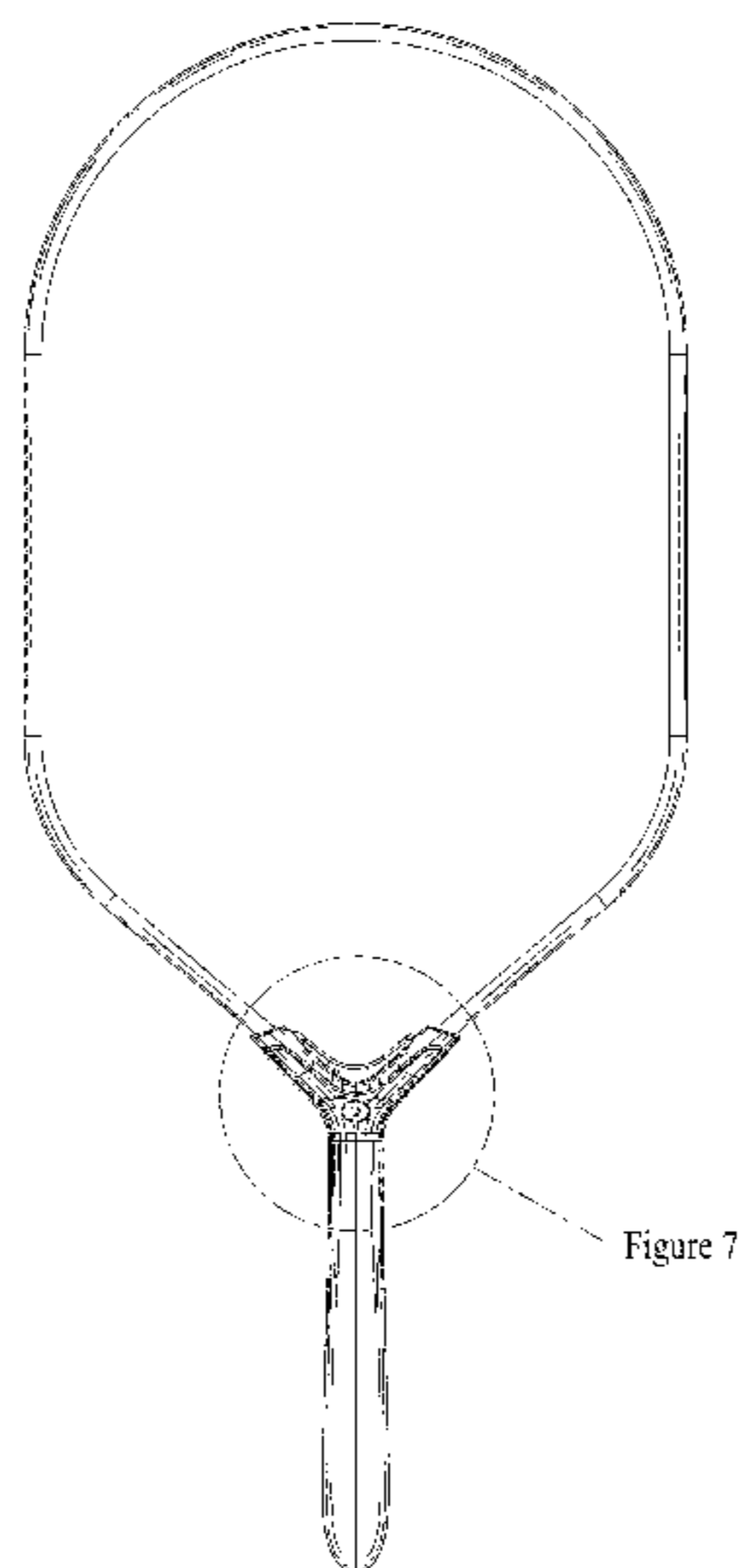
(57) **CLAIM**

The ornamental design for diddle net with arc-shaped handle, as shown and described.

**DESCRIPTION**

FIG. 1 is a front view of a diddle net with arc-shaped handle, showing my new design;  
FIG. 2 is a back view thereof;  
FIG. 3 is a left view thereof;  
FIG. 4 is a right view thereof;  
FIG. 5 is a bottom view thereof;  
FIG. 6 is a top view thereof;  
FIG. 7 is an enlarged detail view of the FIG. 1; and,  
FIG. 8 is an enlarged detail view of the FIG. 2.  
The dot-dash broken lines indicating an enlargement portion of the design form no part of the claimed design.  
The broken line showing is included for the purpose of illustrating unclaimed subject matter and forms no part of the claimed design.

**1 Claim, 8 Drawing Sheets**



(56)

References Cited

U.S. PATENT DOCUMENTS

4,880,234 A \* 11/1989 Salisbury ..... A63B 59/00  
473/457  
D319,681 S \* 9/1991 Mengo ..... D22/135  
D330,444 S \* 10/1992 Wall ..... D22/135  
D339,394 S \* 9/1993 Richards ..... D21/729  
D352,081 S \* 11/1994 Shelley ..... D21/729  
5,482,072 A \* 1/1996 Cimino ..... A61H 3/068  
135/72  
D372,511 S \* 8/1996 Bernardino ..... D21/729  
D389,895 S \* 1/1998 Belleville ..... D22/134  
6,032,399 A \* 3/2000 DePoe ..... A01K 77/00  
43/12  
6,083,125 A \* 7/2000 West ..... A63B 49/08  
473/549  
D460,135 S \* 7/2002 Lammer ..... D21/730  
D468,380 S \* 1/2003 Lammer ..... D21/730  
D469,154 S \* 1/2003 French ..... D22/135  
D484,556 S \* 12/2003 Udwin ..... D21/731  
D514,639 S \* 2/2006 Hernandez ..... D21/729  
D526,042 S \* 8/2006 Corbett ..... D22/135  
D549,800 S \* 8/2007 Corbett ..... D22/135  
7,269,921 B2 \* 9/2007 Lee ..... A01K 77/00  
43/12  
D554,211 S \* 10/2007 Severa ..... D21/730

D591,805 S \* 5/2009 Harms ..... D21/729  
D622,793 S \* 8/2010 Severa ..... D21/730  
D631,521 S \* 1/2011 Severa ..... D21/730  
8,210,969 B2 \* 7/2012 Clancy ..... B25G 1/102  
473/551  
D676,106 S \* 2/2013 Blood ..... D22/135  
D686,690 S \* 7/2013 Blood ..... D22/135  
D686,691 S \* 7/2013 Blood ..... D22/135  
D689,572 S \* 9/2013 Severa ..... D21/730  
D689,573 S \* 9/2013 Severa ..... D21/730  
D689,966 S \* 9/2013 Severa ..... D21/730  
9,080,848 B1 \* 7/2015 Gold ..... G01B 3/04  
D735,824 S \* 8/2015 Janes ..... D21/730  
D756,470 S \* 5/2016 Garcia-Park ..... D21/721  
D764,012 S \* 8/2016 Johnson ..... D22/135  
D794,157 S \* 8/2017 Jones ..... D22/135  
2003/0106255 A1 \* 6/2003 Abel ..... A01K 77/00  
43/7  
2004/0144014 A1 \* 7/2004 Abel ..... A01K 77/00  
43/11  
2006/0073923 A1 \* 4/2006 Turzer ..... A63B 49/08  
473/526  
2009/0100739 A1 \* 4/2009 Resch ..... A01K 77/00  
43/12  
2011/0220426 A1 \* 9/2011 Bond ..... A01K 77/00  
177/245

\* cited by examiner

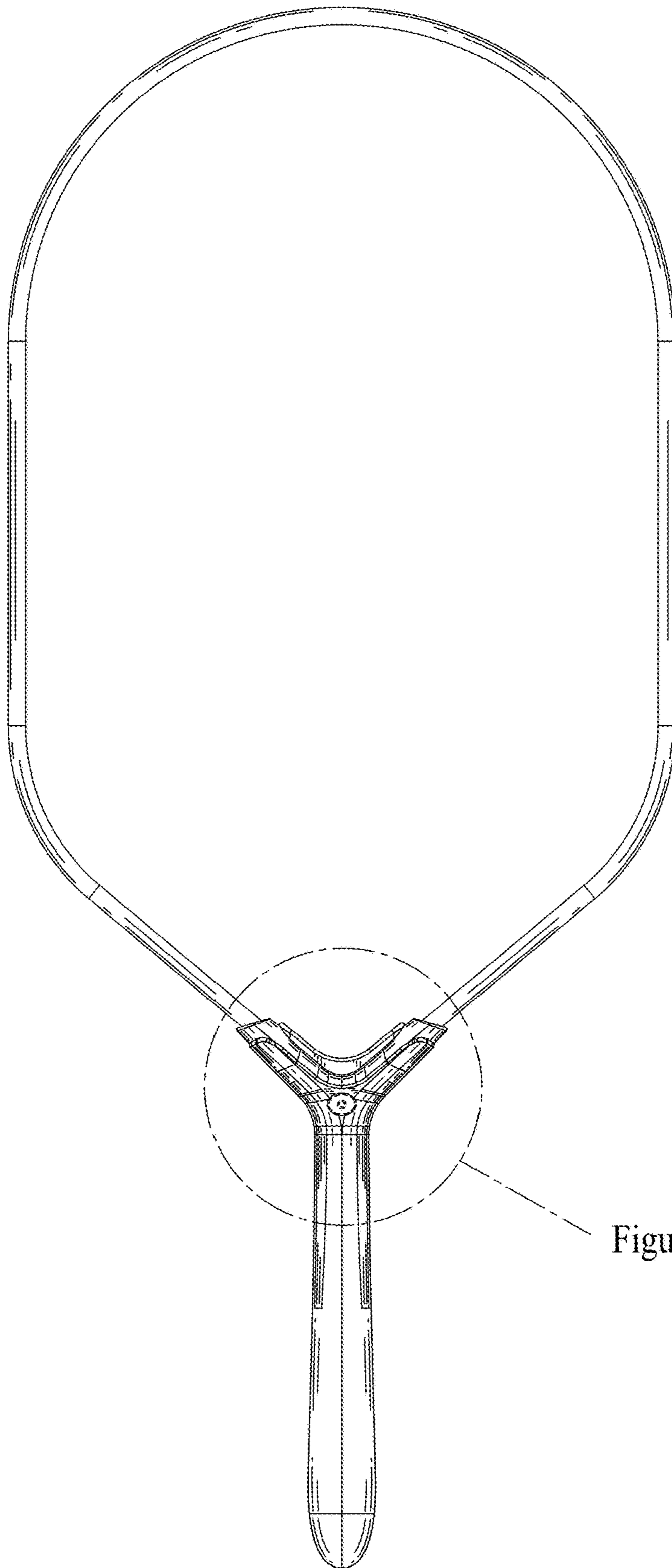


Figure 7

Figure 1

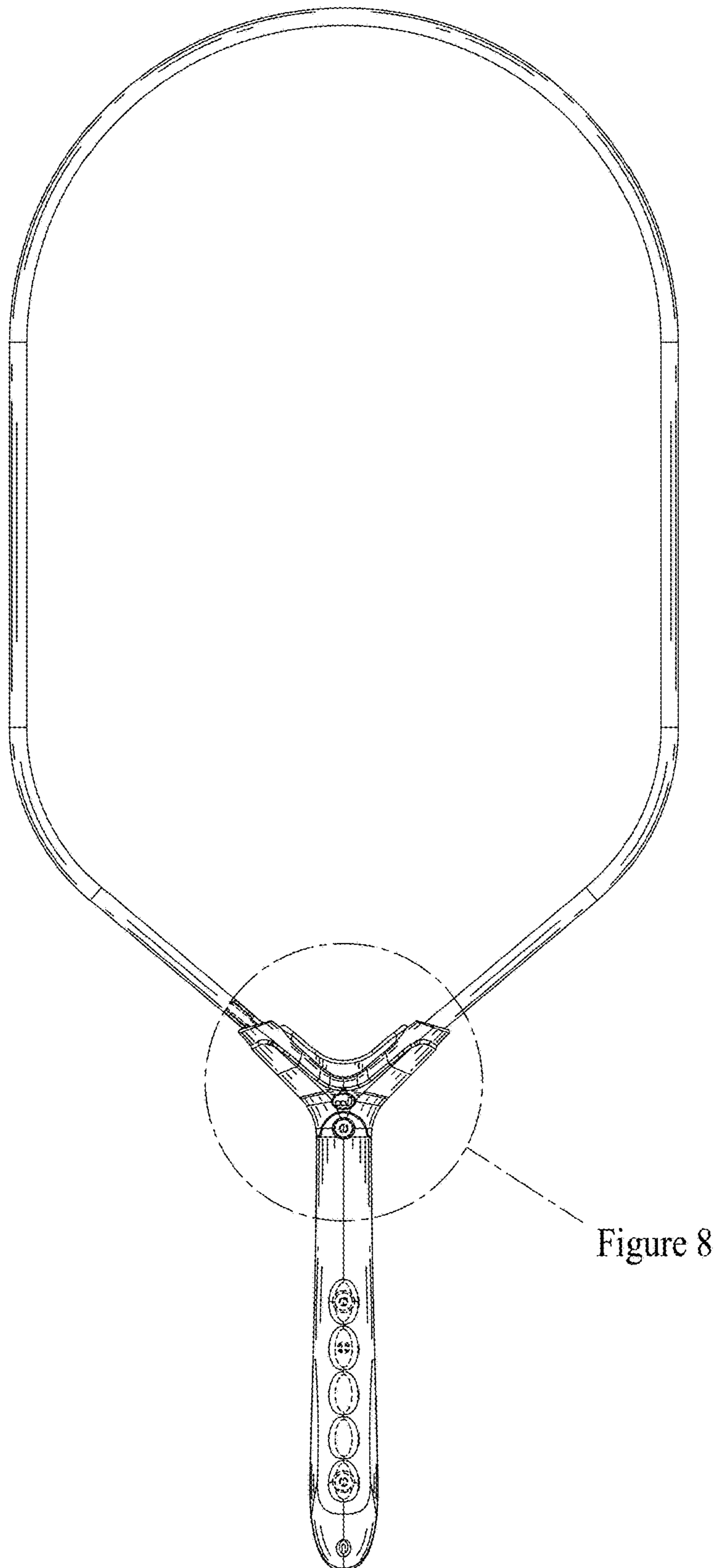


Figure 8

Figure 2

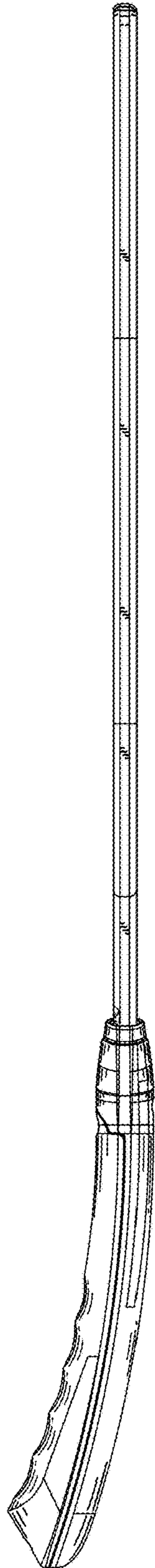


Figure 3

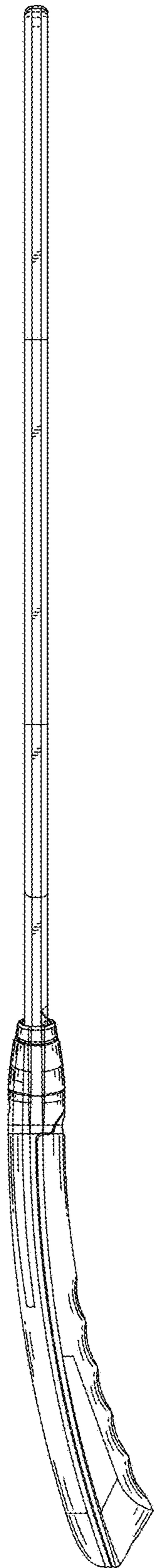


Figure 4

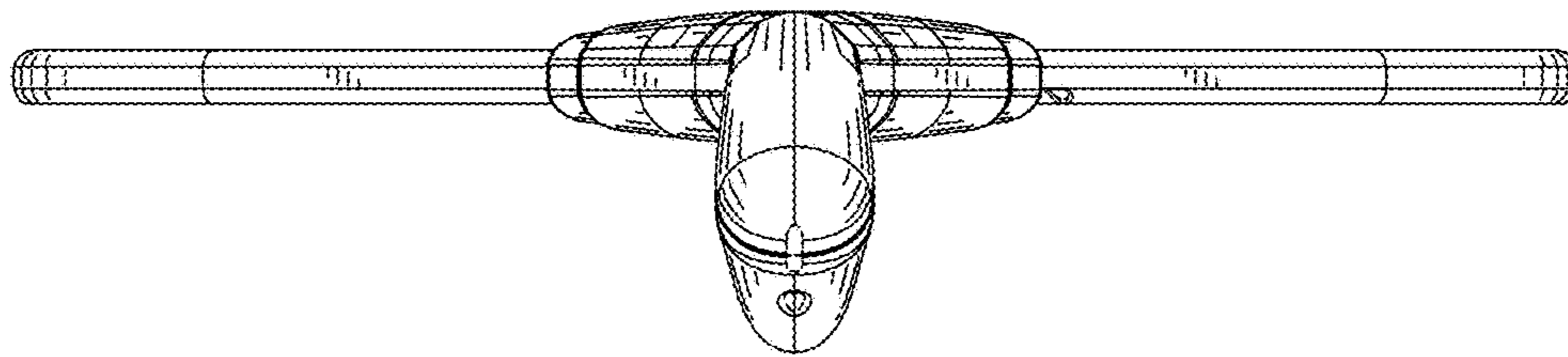


Figure 5

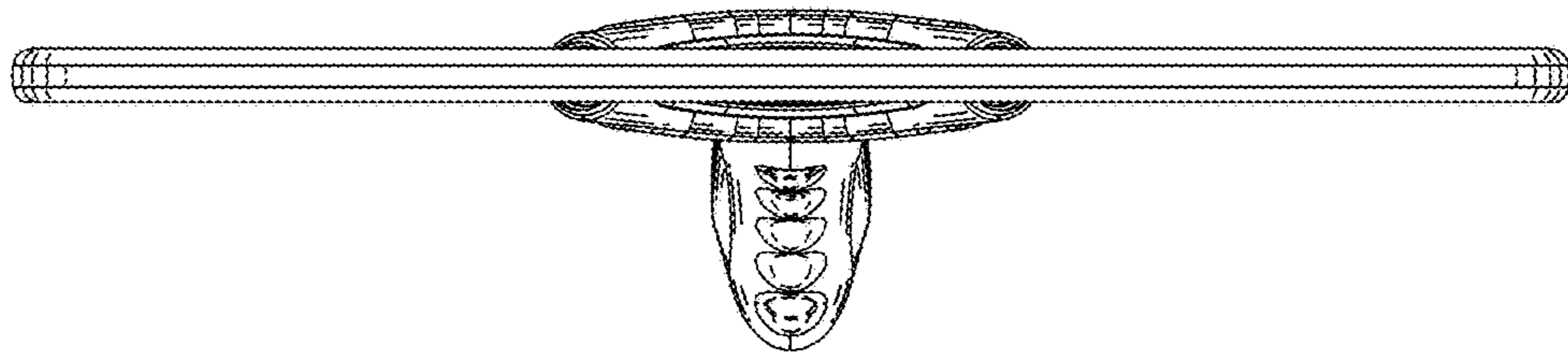


Figure 6



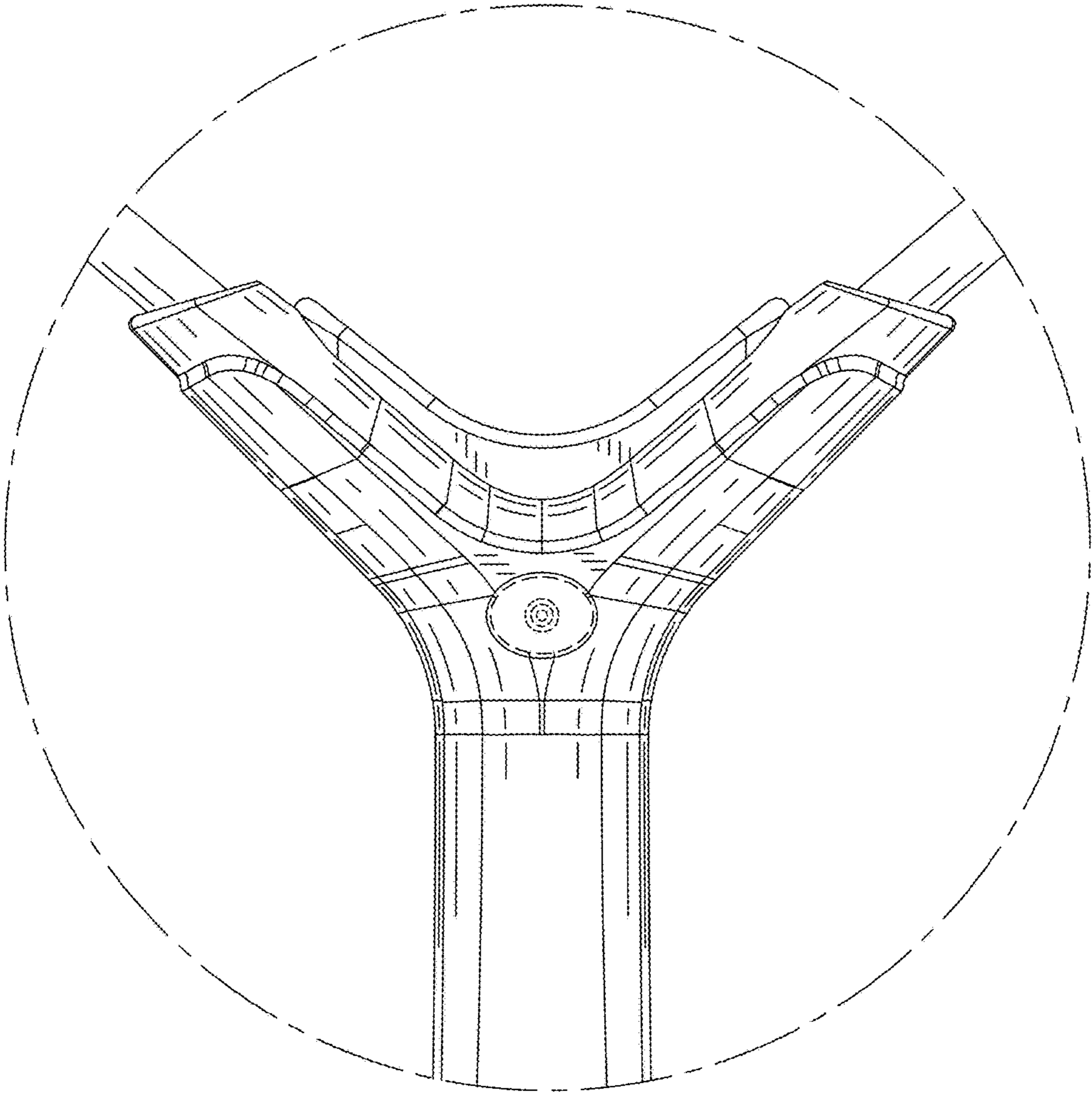


Figure 7

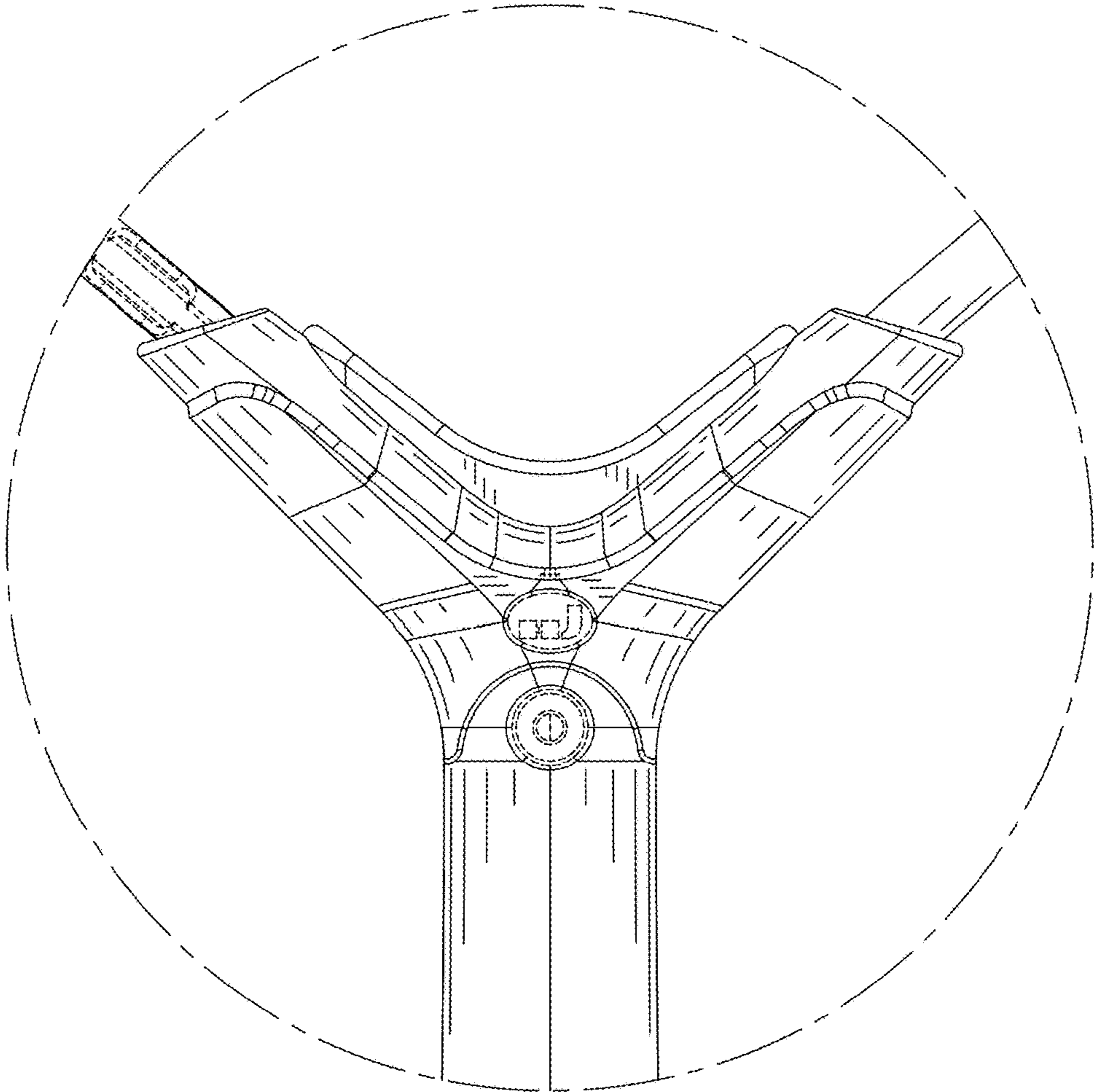


Figure 8