



US00D855141S

(12) **United States Design Patent** (10) **Patent No.:** **US D855,141 S**
Couch et al. (45) **Date of Patent:** **** Jul. 30, 2019**

(54) **PROJECTILE**

FOREIGN PATENT DOCUMENTS

(71) Applicant: **Count-on Tools, Inc.**, Gainesville, GA (US)

FR 2602042 A1 1/1988
WO 2015/022377 A1 2/2015

(72) Inventors: **Curtis Larry Couch**, Santa Rosa Beach, FL (US); **Jackson T. Strayhorn**, Cleveland, GA (US); **James C. Cash**, Gainesville, GA (US); **Alexis Z. Shook**, Alto, GA (US)

OTHER PUBLICATIONS

“Subsonic Reloading The Lehigh Defense 300 Blackout 168 gr Controlled Fracturing Bullet, Part II” [online]. AP2020 Outdoors Adventures. [Published on Aug. 9, 2016]. Retrieved from the Internet: <<https://www.youtube.com/watch?v=fkptDblf53c>>.*

(73) Assignee: **COUNT-ON TOOLS, INC.**, Gainesville, GA (US)

(Continued)

(**) Term: **15 Years**

Primary Examiner — Khawaja Anwar
Assistant Examiner — Mojtaba Tehrani

(21) Appl. No.: **29/623,574**

(74) *Attorney, Agent, or Firm* — Rankin, Hill & Clark LLP

(22) Filed: **Oct. 25, 2017**

(51) **LOC (11) Cl.** **22-03**

(57) **CLAIM**

(52) **U.S. Cl.**
USPC **D22/116**

The ornamental design for a projectile, as shown and described.

(58) **Field of Classification Search**

DESCRIPTION

USPC D21/301, 304, 567, 570, 571, 573, 574, D21/575, 746; D22/100, 101, 102, 103, D22/106, 107, 108, 109, 110, 111, 112, D22/115, 116, 199

FIG. 1 is an exploded top perspective view of a projectile, showing our new design;
FIG. 2 is an exploded bottom perspective view thereof;
FIG. 3 is an exploded side elevation view thereof;
FIG. 4 is an exploded top plan view thereof;
FIG. 5 is an exploded bottom plan view thereof;
FIG. 6 is a top perspective view of the projectile, in the first stage;
FIG. 7 is a bottom perspective view thereof;
FIG. 8 is a side elevation view thereof;
FIG. 9 is a top plan view thereof;
FIG. 10 is a bottom plan view thereof;
FIG. 11 is a cross section view along the line 11-11;
FIG. 12 is a top perspective view of the projectile, in the second stage;
FIG. 13 is a side elevation view thereof; and,
FIG. 14 is a cross section view along the line 14-14.

CPC F41A 3/26; F41A 3/12; F41A 5/02; F41A 17/22; F41B 5/143; F41B 5/14; F41B 5/066; F41B 7/08; F41B 5/1446; F41B 5/148; F41B 5/1465; F42B 6/04; F42B 6/08; F42B 6/02; F42B 6/06; F42B 12/362; F41C 23/16; F41C 27/00; F41C 7/00; F41G 11/003; F41G 11/001; F41G 11/004; F41G 11/005; A63H 5/04
See application file for complete search history.

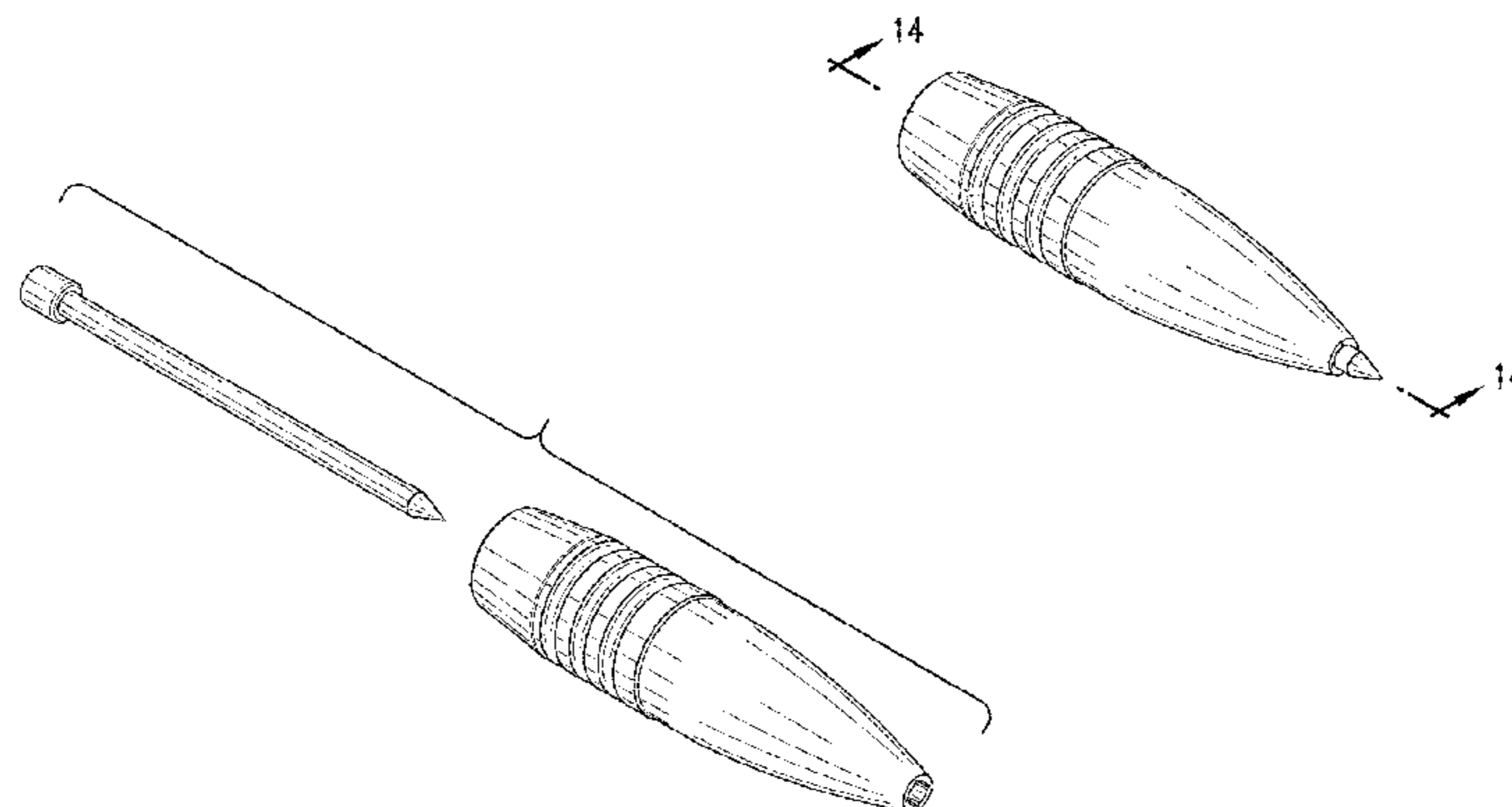
(56) **References Cited**

U.S. PATENT DOCUMENTS

1,447,478 A * 3/1923 Koshollek F42B 12/34 102/508

2,324,346 A 7/1943 Albrece
(Continued)

1 Claim, 12 Drawing Sheets



(56)

References Cited

U.S. PATENT DOCUMENTS

2,493,938 A 1/1950 Albree
 2,617,359 A 11/1952 Van Horn et al.
 2,620,190 A 12/1952 Bean
 3,086,467 A 4/1963 Gallagher et al.
 3,181,507 A * 5/1965 Dannebaum B43K 24/082
 401/104
 3,672,304 A 6/1972 Rogers et al.
 4,559,876 A 12/1985 Bocker et al.
 4,597,333 A 7/1986 Bocker et al.
 4,964,341 A 10/1990 Hebert
 D357,700 S * 4/1995 Oka D19/200
 D389,221 S * 1/1998 Borg D22/115
 D456,480 S * 4/2002 Quinsa 102/508
 D472,600 S * 4/2003 Dehaan D21/574
 D480,422 S * 10/2003 Belmondo D19/165
 6,776,101 B1 8/2004 Pickard
 6,887,008 B2 * 5/2005 Kitao B43K 1/08
 401/209
 D621,468 S * 8/2010 Nilsson D22/116
 7,814,837 B2 10/2010 Sauvestre
 D646,179 S * 10/2011 Jansen D22/116
 D672,006 S * 12/2012 Mok D22/112
 D708,291 S * 7/2014 Pierce D22/115
 D751,167 S * 3/2016 Chua D22/116
 9,354,027 B2 5/2016 Flint et al.
 D768,802 S * 10/2016 Bowers D22/116

D770,005 S * 10/2016 Christiansen D22/116
 9,551,555 B2 1/2017 Flint et al.
 D780,876 S * 3/2017 Boatright D22/116
 D791,266 S * 7/2017 Burczynski D22/115
 D813,975 S * 3/2018 White D22/116
 D821,536 S * 6/2018 Christiansen D22/116
 2003/0019385 A1 * 1/2003 LeaSure F42B 5/025
 102/444
 2010/0263565 A1 * 10/2010 Hugus, IV F42B 12/44
 102/364
 2018/0224249 A1 8/2018 Carbone et al.

OTHER PUBLICATIONS

“Count On 160gr ASAT—Test Results” [online]. Snipercentral.com. [Retrieved on Dec. 8, 2018]. Retrieved from the Internet: <<http://www.snipercentral.com/count-on-160gr-asat-test-results/>>.*
 “Lehigh Defense 170gr 300 Blackout Controlled Fracturing” [online]. Graham Baates. [Published on May 13, 2016]. Retrieved from the Internet: <<https://www.youtube.com/watch?v=EKbb59WwOJM>>.*
 U.S. Appl. No. 29/623,597, filed Oct. 25, 2017, 13 pages.
 U.S. Office Action, U.S. Appl. No. 16/169,586, dated Feb. 21, 2019, 22 pages.
 International Search Report/Written Opinion, International Application No. PCT/US2018/057349 dated Jan. 18, 2019, 12 pages.

* cited by examiner

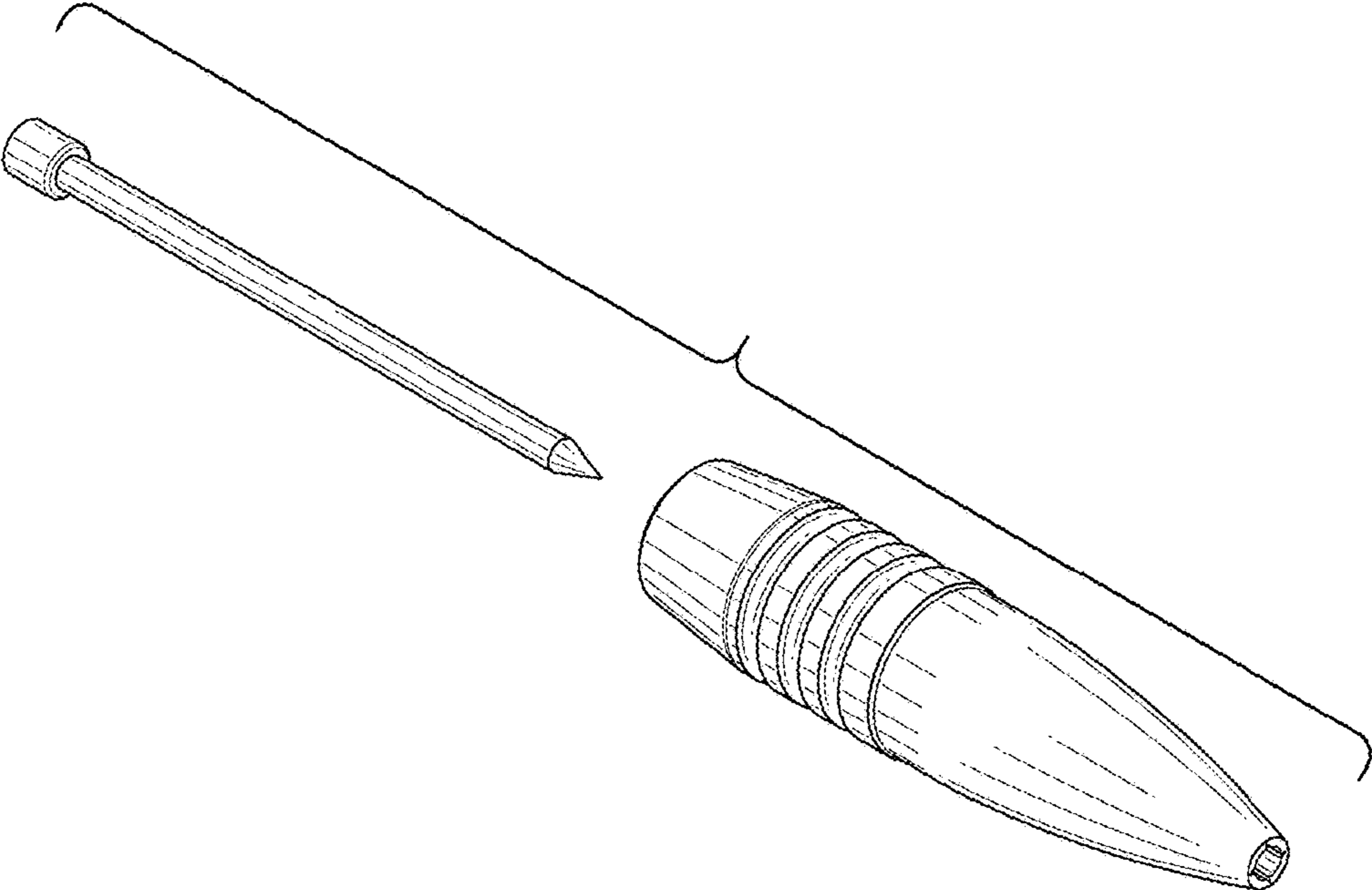
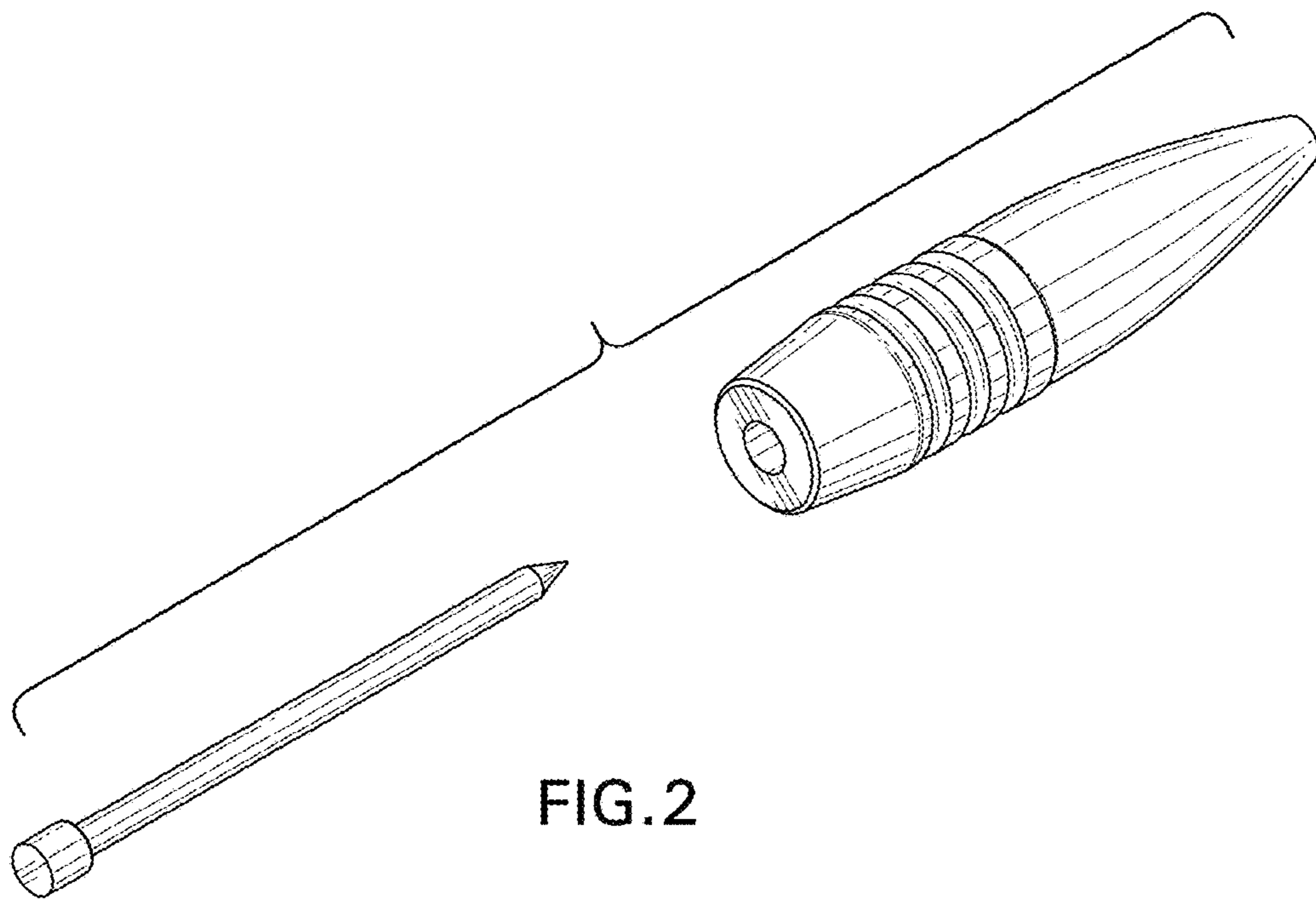


FIG. 1



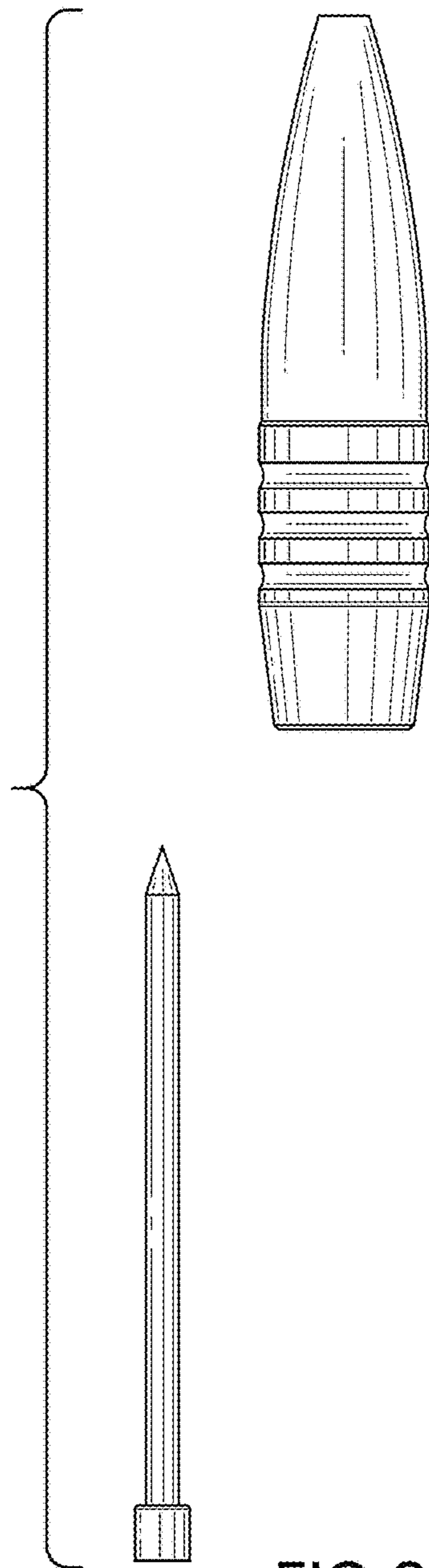


FIG. 3

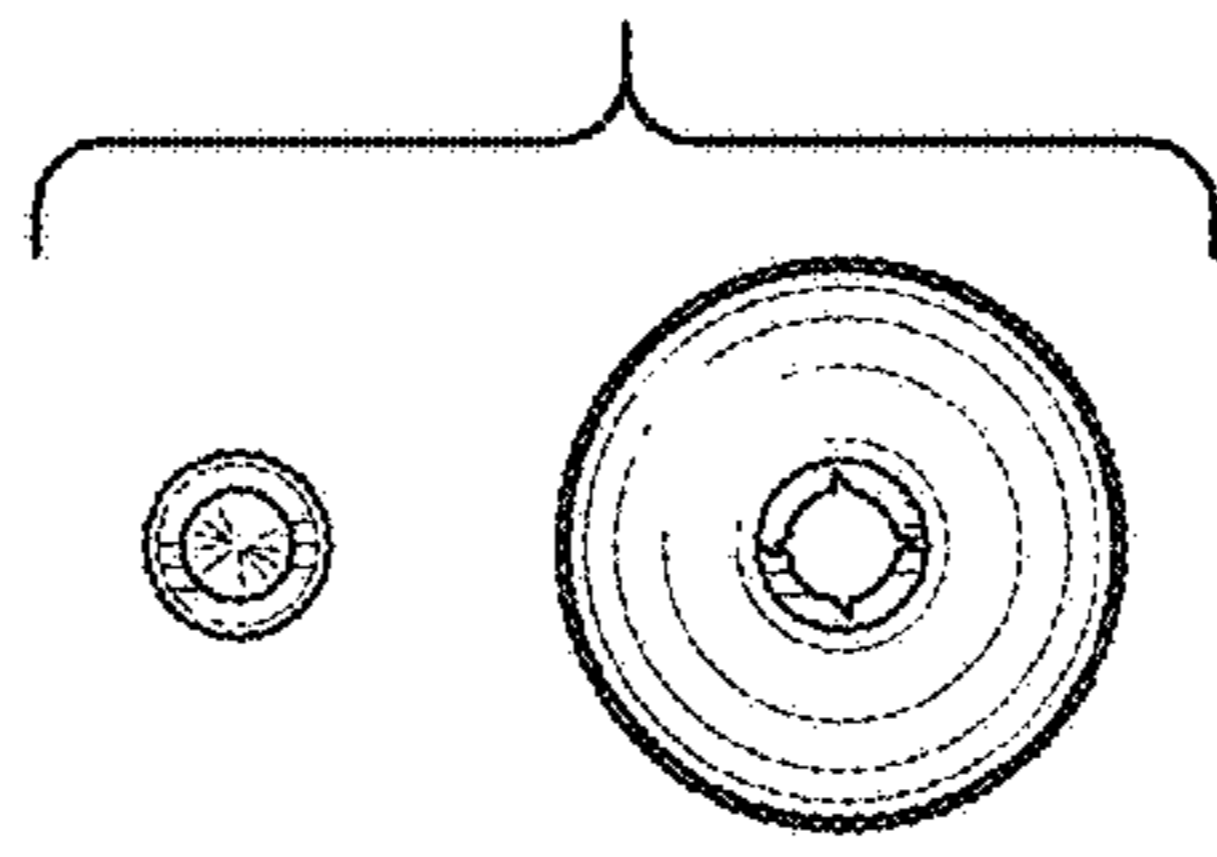


FIG. 4

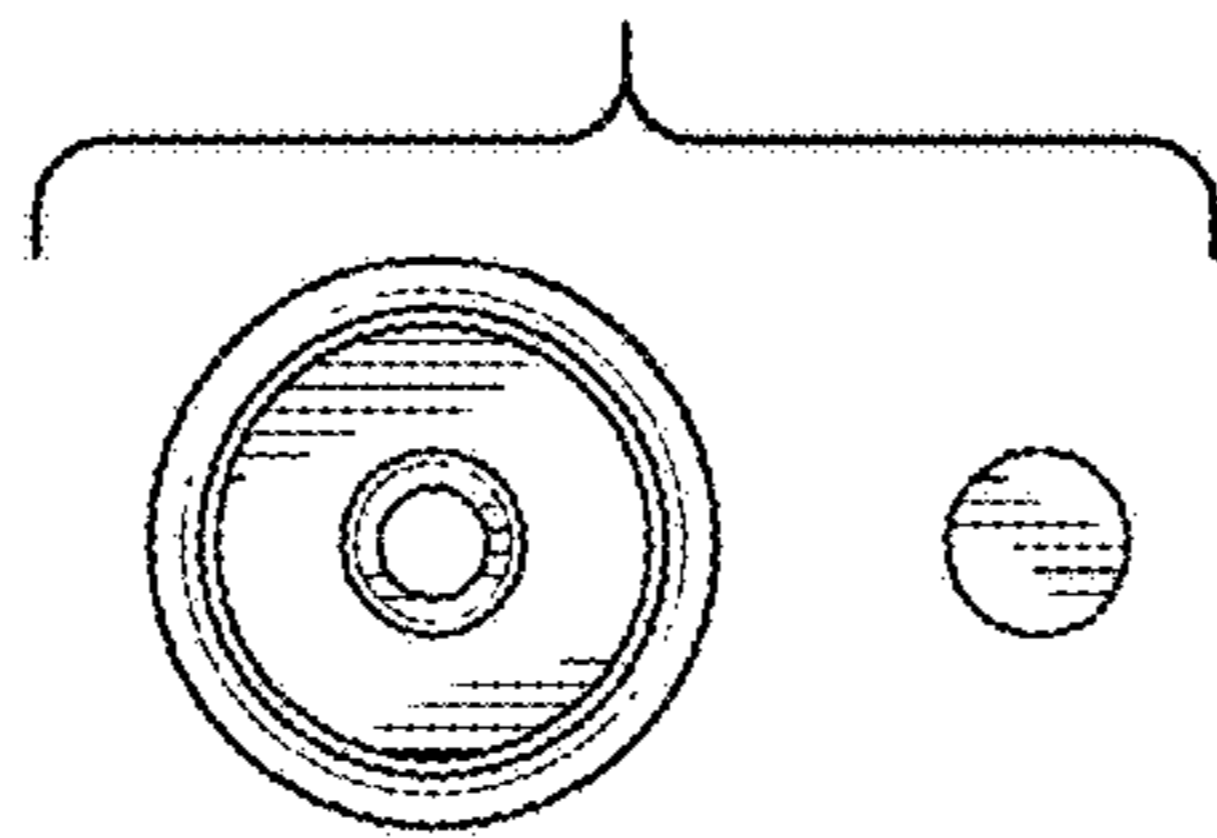


FIG. 5

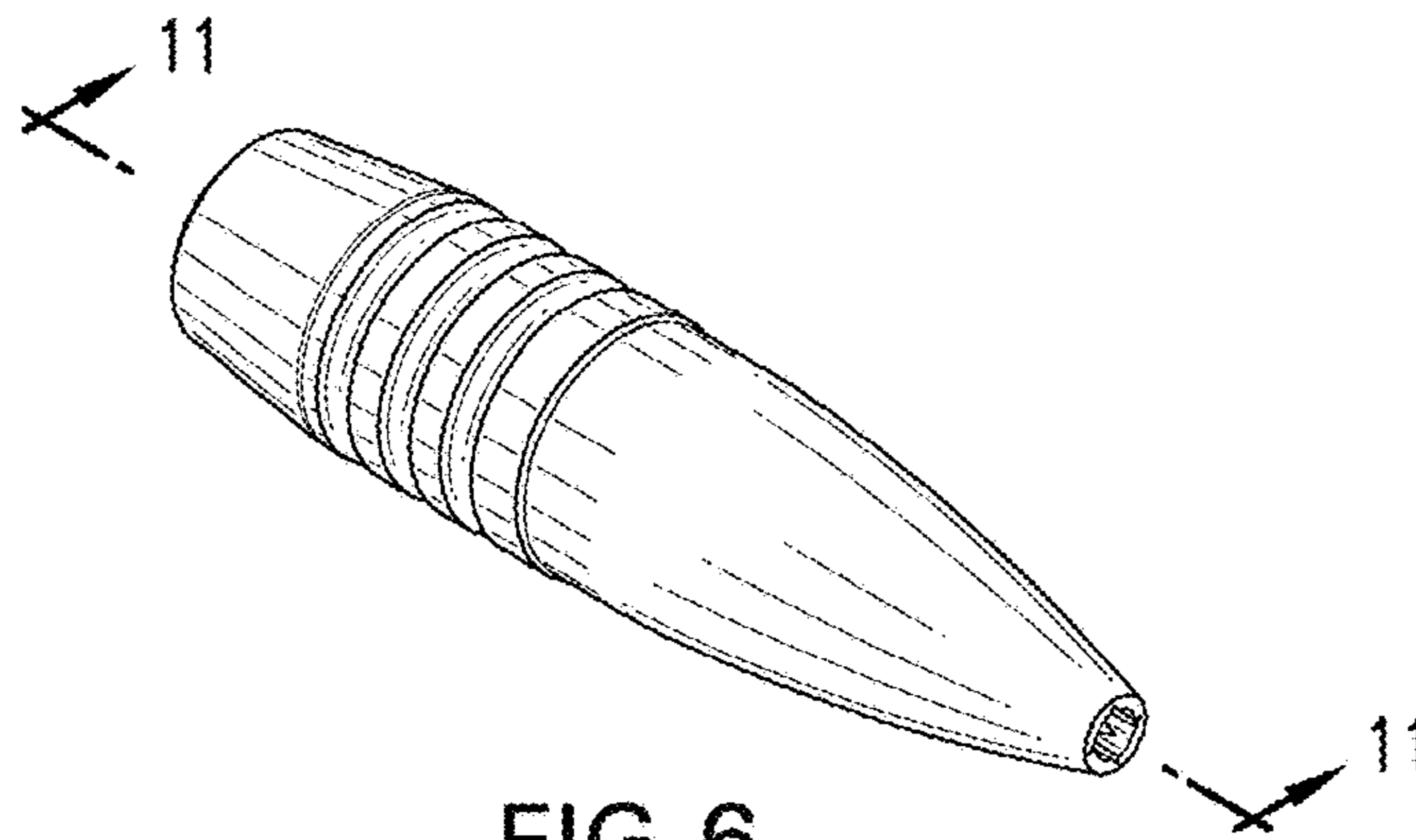


FIG. 6

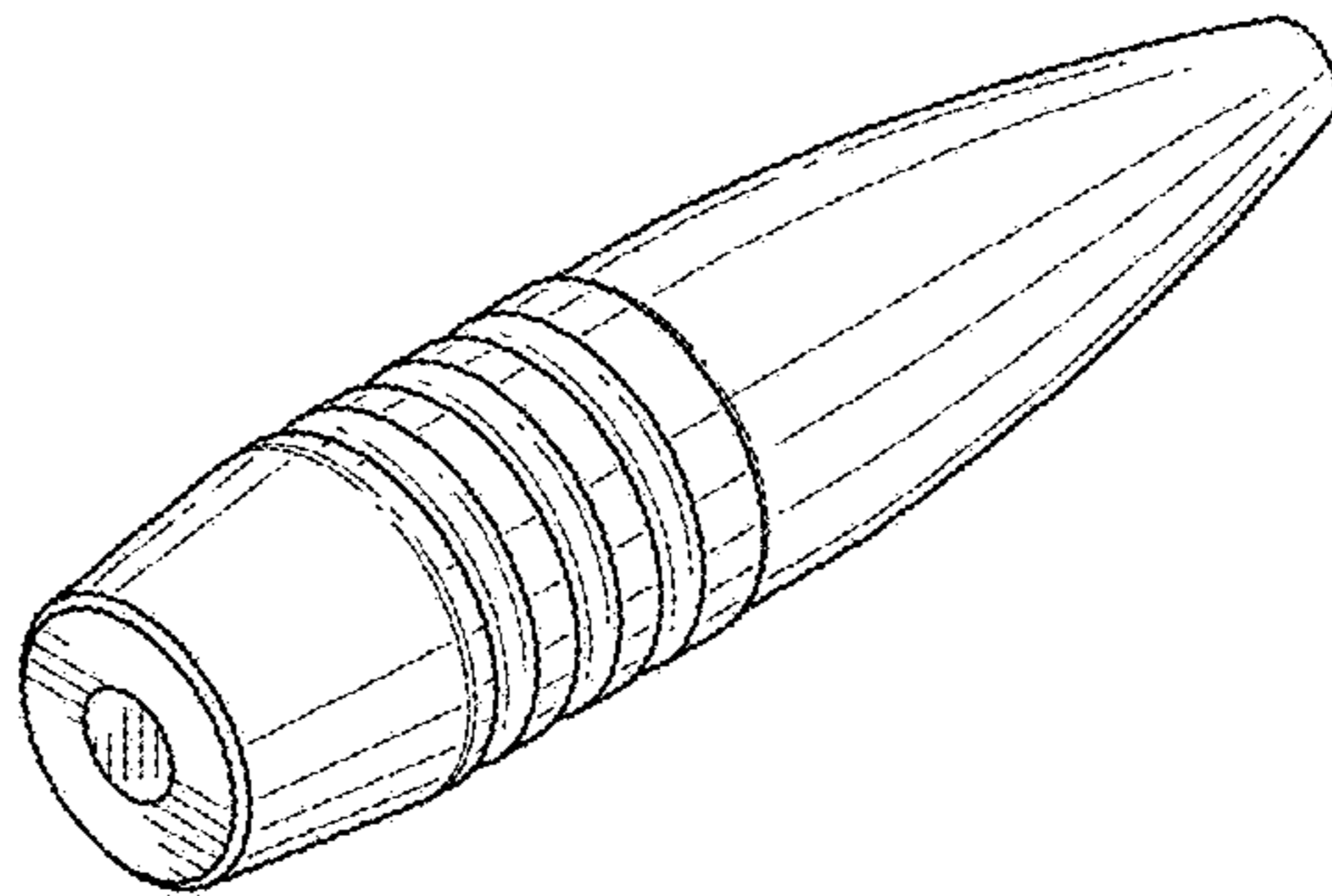


FIG. 7

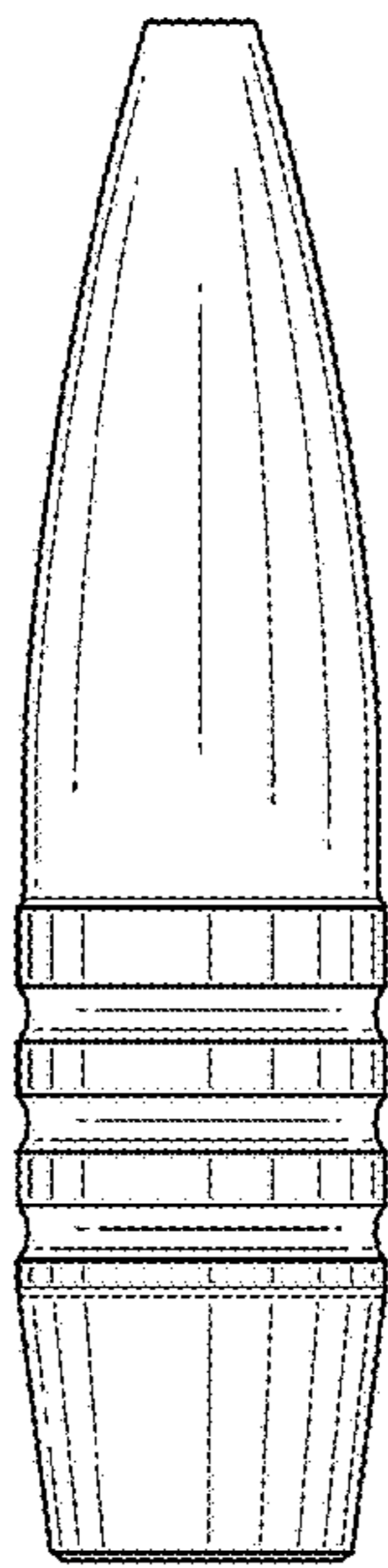


FIG.8

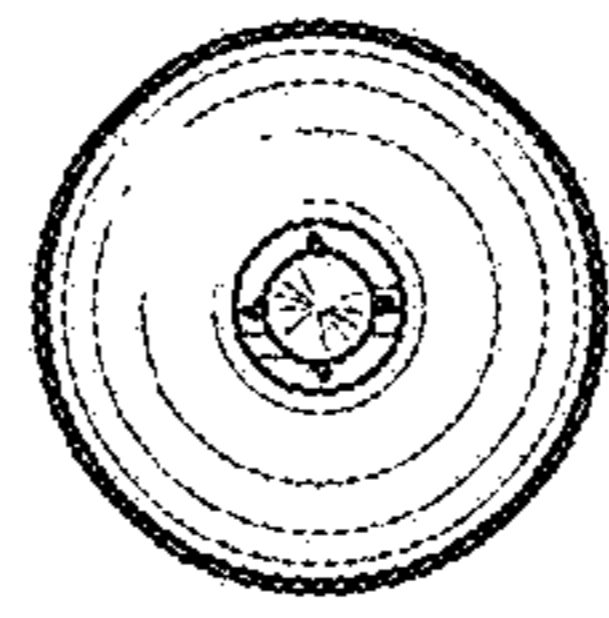


FIG. 9

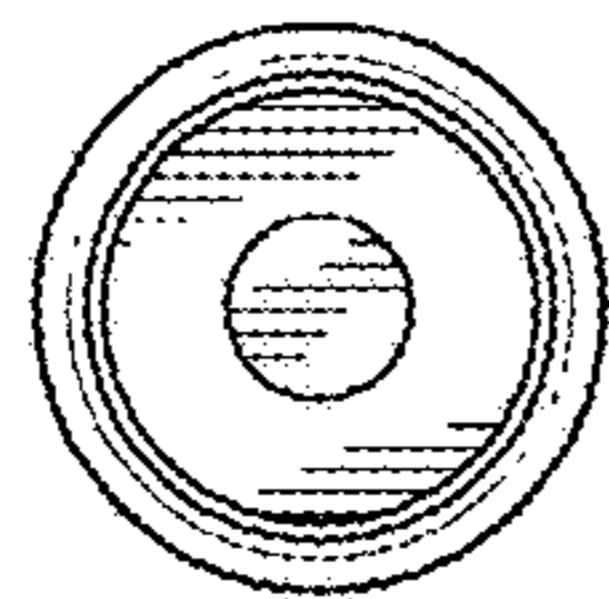


FIG. 10

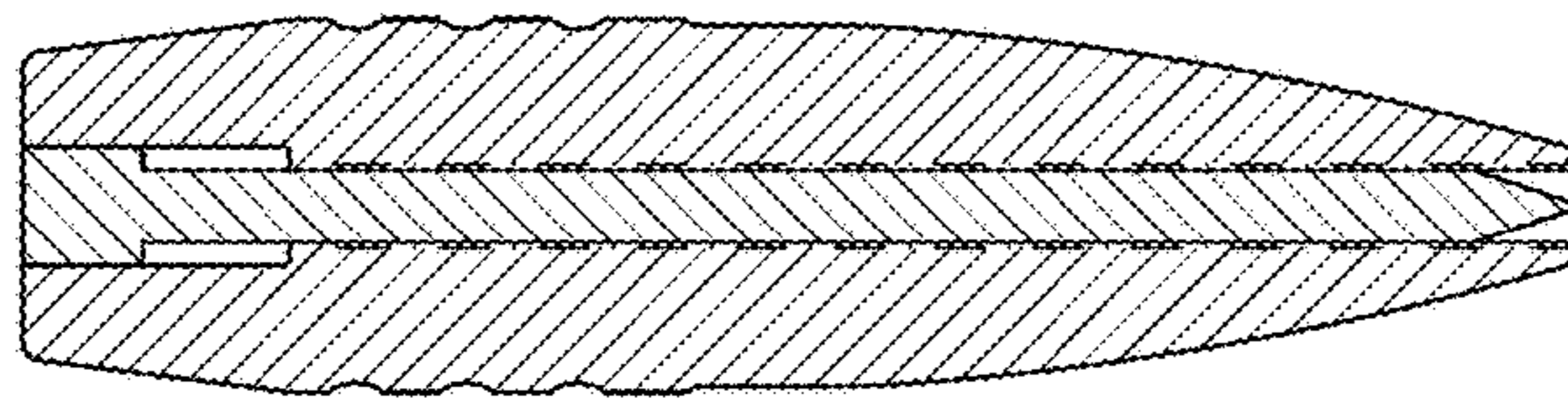


FIG. 11

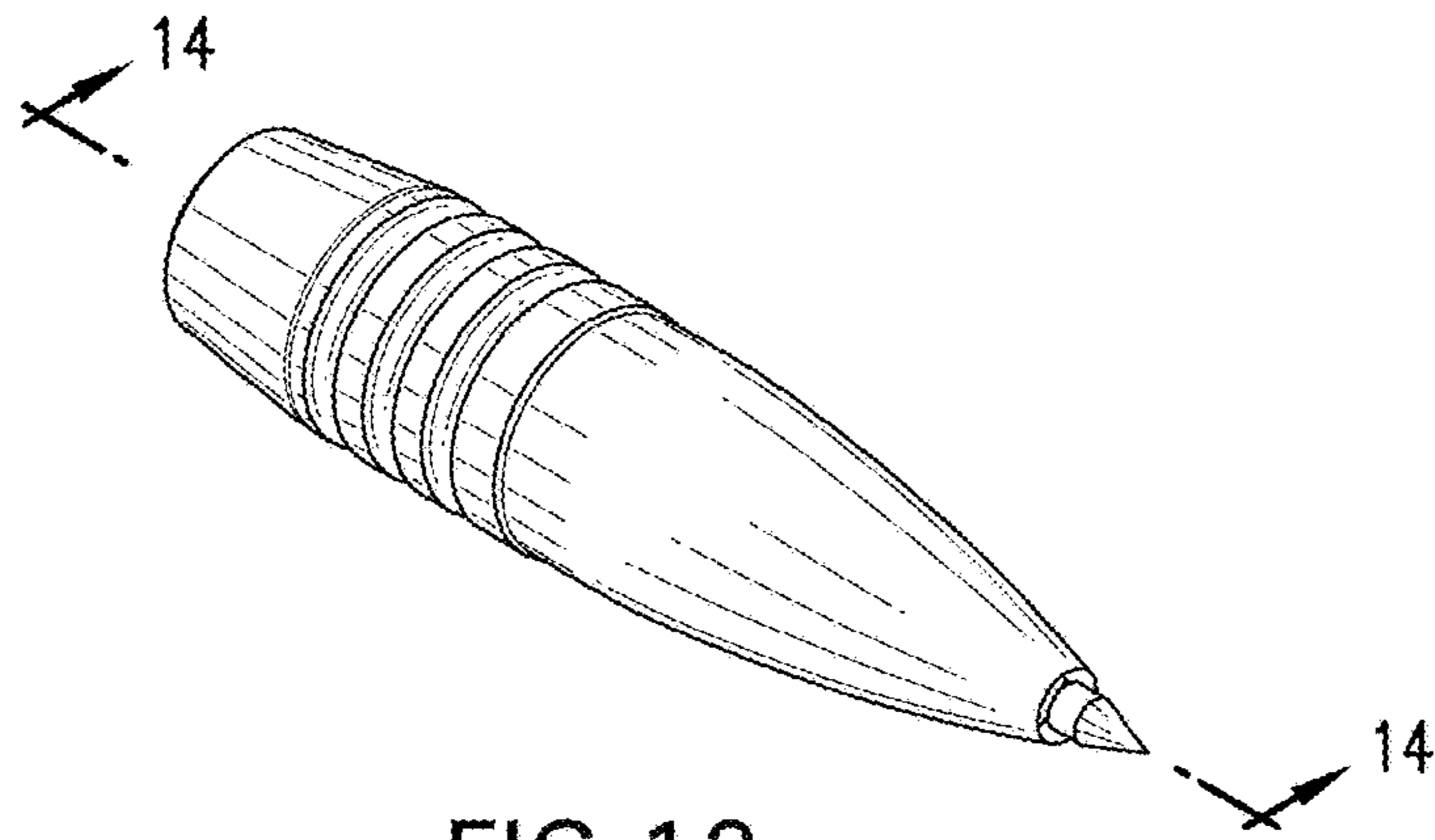


FIG. 12

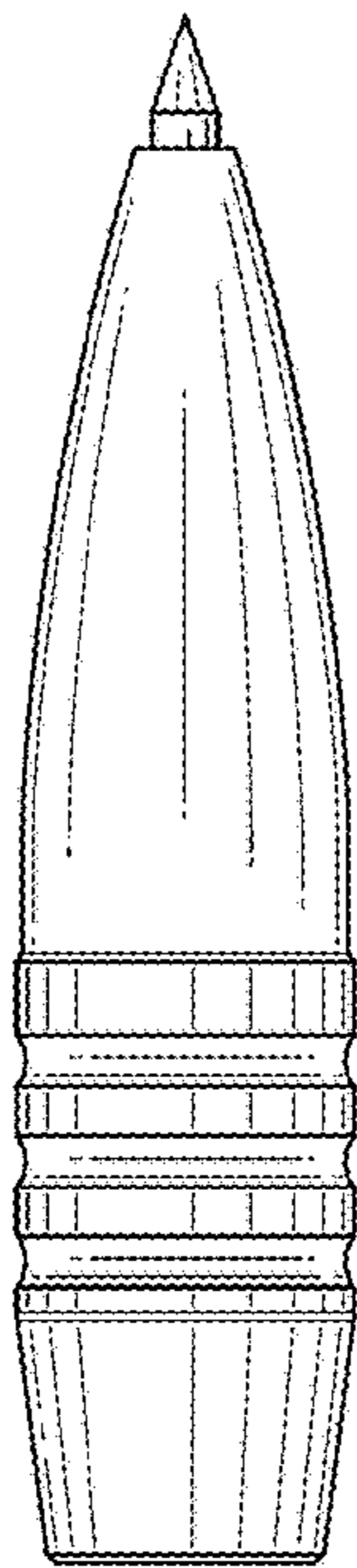


FIG. 13

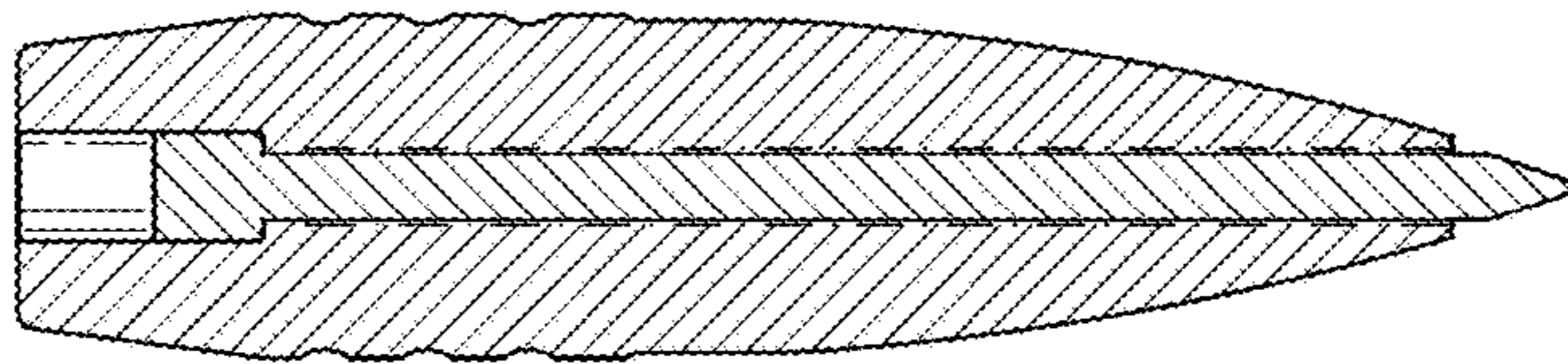


FIG. 14