



US00D855139S

(12) **United States Design Patent** (10) **Patent No.:** **US D855,139 S**
Fischer (45) **Date of Patent:** **** Jul. 30, 2019**

(54) **FIREARM HOLSTER SUPPORT**

Primary Examiner — Michael A. Pratt

(71) Applicant: **David John Fischer**, Haymarket, VA (US)

(57) **CLAIM**

The ornamental design for a firearm holster support, as shown and described.

(72) Inventor: **David John Fischer**, Haymarket, VA (US)

DESCRIPTION

(**) Term: **15 Years**

Additional details on firearm holster and firearm holster supports are provided in U.S. patent application Ser. No. 16/143,443, filed Sep. 26, 2018, and entitled "Barrel Held Firearm Carrier," which is hereby incorporated herein by reference.

(21) Appl. No.: **29/664,639**

(22) Filed: **Sep. 26, 2018**

(51) **LOC (11) Cl.** **22-01**

(52) **U.S. Cl.**
USPC **D22/108**; D3/222

(58) **Field of Classification Search**
USPC D22/108; D3/222; 224/149–150;
D8/394–396; 248/229.16, 229.2
CPC F41C 33/046; F41C 33/007
See application file for complete search history.

FIG. 1 is a top perspective view of a firearm holster support in accordance with an embodiment of the present design. FIG. 2 is a side perspective view of a firearm holster support in accordance with an embodiment of the present design. FIG. 3 is a top view for the firearm holster support in accordance with the embodiment of the present design. FIG. 4 is a bottom view for the firearm holster support in accordance with the embodiment of the present design. FIG. 5 is a right side view of the firearm holster support in accordance with the embodiment of the present design. FIG. 6 is a left side view for the firearm holster support in accordance with the embodiment of the present design. FIG. 7 is a front view for the firearm holster support in accordance with the embodiment of the present design. FIG. 8 is a rear view for the firearm holster support in accordance with the embodiment of the present design; and, FIG. 9 is a front view of an exemplary firearm holster suitable for having the firearm holster support attached thereto according to one embodiment.

(56) **References Cited**

U.S. PATENT DOCUMENTS

- 2,761,112 A * 8/1956 Torcivia H01R 13/447
174/50
- 4,154,015 A * 5/1979 Holland A01K 97/10
43/17
- D325,300 S 4/1992 Miklus, II
(Continued)

FOREIGN PATENT DOCUMENTS

WO WO 2007/045849 A1 4/2007

OTHER PUBLICATIONS

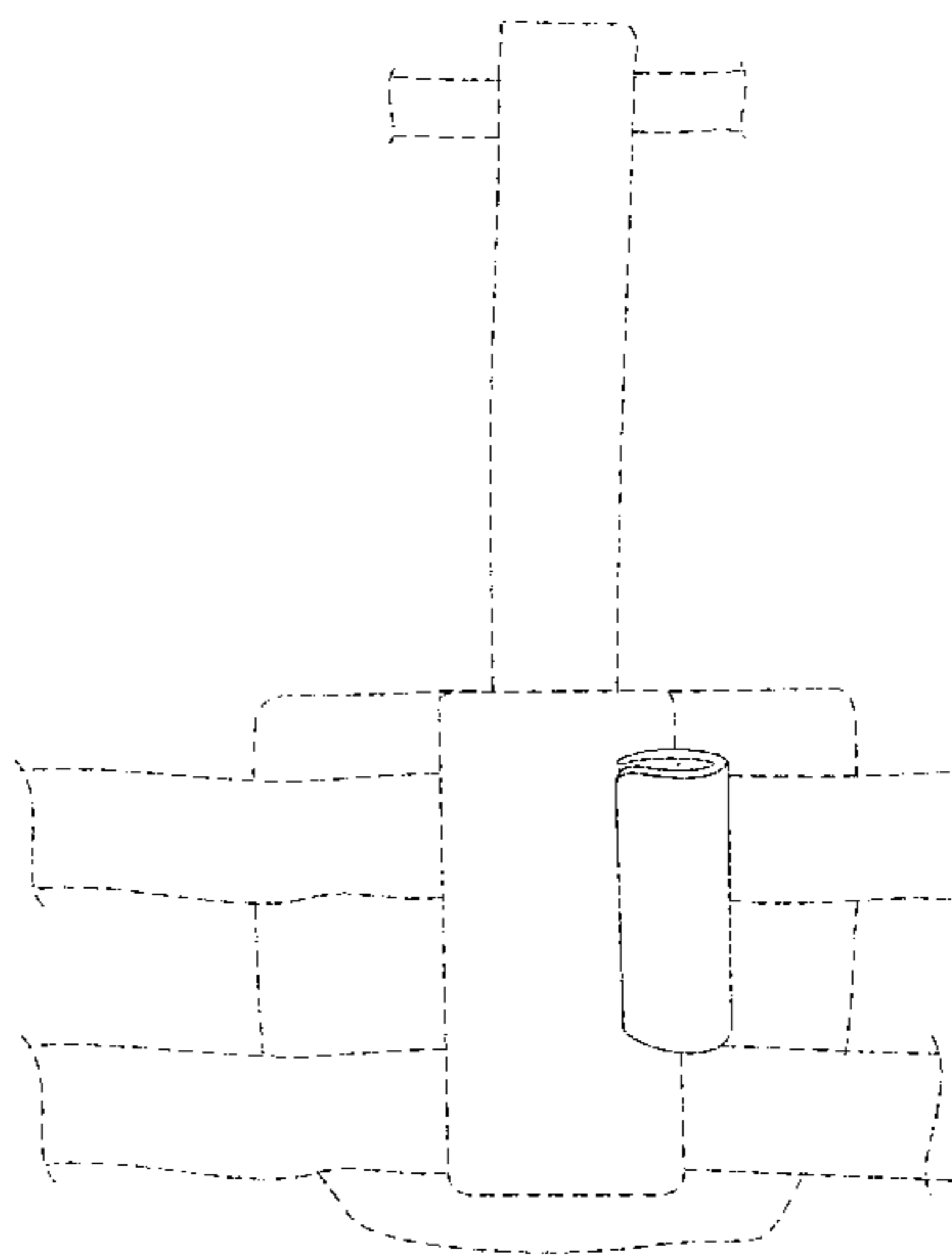
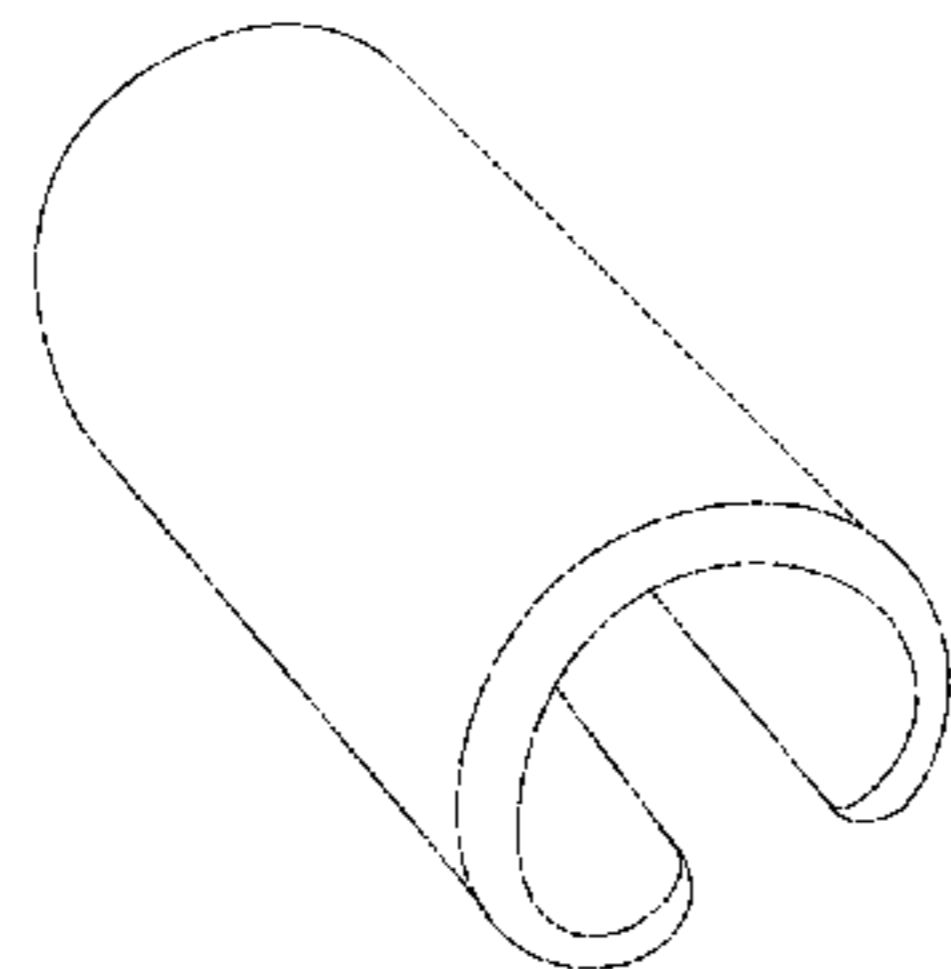
U.S. Patent Application entitled Barrel Held Firearm Carrier U.S. Appl. No. 16/143,433, filed Sep. 26, 2018.

(Continued)

The features shown in broken lines in the various figures are for illustrating environmental structure and form no part of the claimed design.

The firearm holster support can serve to support a firearm with respect to a firearm holster. The firearm holster support can also be referred to as a barrel support member or a barrel shroud.

1 Claim, 5 Drawing Sheets



(56)

References Cited

U.S. PATENT DOCUMENTS

5,184,797 A * 2/1993 Hurner A01K 97/10
 248/515
 D378,398 S * 3/1997 Osburn D22/147
 D407,137 S * 3/1999 Thompson D22/147
 6,755,331 B2 6/2004 Rassias
 7,258,259 B1 8/2007 Owens
 D605,851 S * 12/2009 Drake D22/147
 D752,176 S * 3/2016 Johns D22/147
 9,914,655 B2 3/2018 Oinuma et al.
 2002/0002791 A1 * 1/2002 Thompson A01K 97/08
 43/21.2
 2007/0185457 A1 * 8/2007 Euteneuer A61B 17/22032
 604/170.02
 2007/0292647 A1 * 12/2007 Princell B29C 65/5021
 428/36.9
 2009/0000137 A1 * 1/2009 Diaz E04B 1/4157
 33/562
 2009/0025942 A1 * 1/2009 Hall E21B 7/068
 166/381
 2010/0314423 A1 12/2010 Kawamoto et al.

2012/0172153 A1 * 7/2012 Newman A63B 69/0075
 473/417
 2012/0210793 A1 * 8/2012 Daton-Lovett E21B 47/0001
 73/570
 2016/0033059 A1 * 2/2016 Fonte C22F 1/183
 138/171
 2016/0113370 A1 * 4/2016 Arel, Jr. A45C 15/00
 220/592.09
 2016/0210955 A1 * 7/2016 Lagarrigue G10K 11/172
 2016/0363488 A1 * 12/2016 Sipila G01L 3/102
 2019/0001783 A1 * 1/2019 Garcia B60G 17/08

OTHER PUBLICATIONS

“Mossberg 500 Just in Case,” O.F. Mossberg & Sons, Inc., 2018, downloaded from <http://www.mossberg.com/category/series/500-jic>.
 “Voodoo Tactical Breachers Shotgun Scabbard,” www.opticsplanet.com, 2018, downloaded from <https://www.opticsplanet.com/voodoo-tactical-breachers-shotgun-scabbard.html>.

* cited by examiner

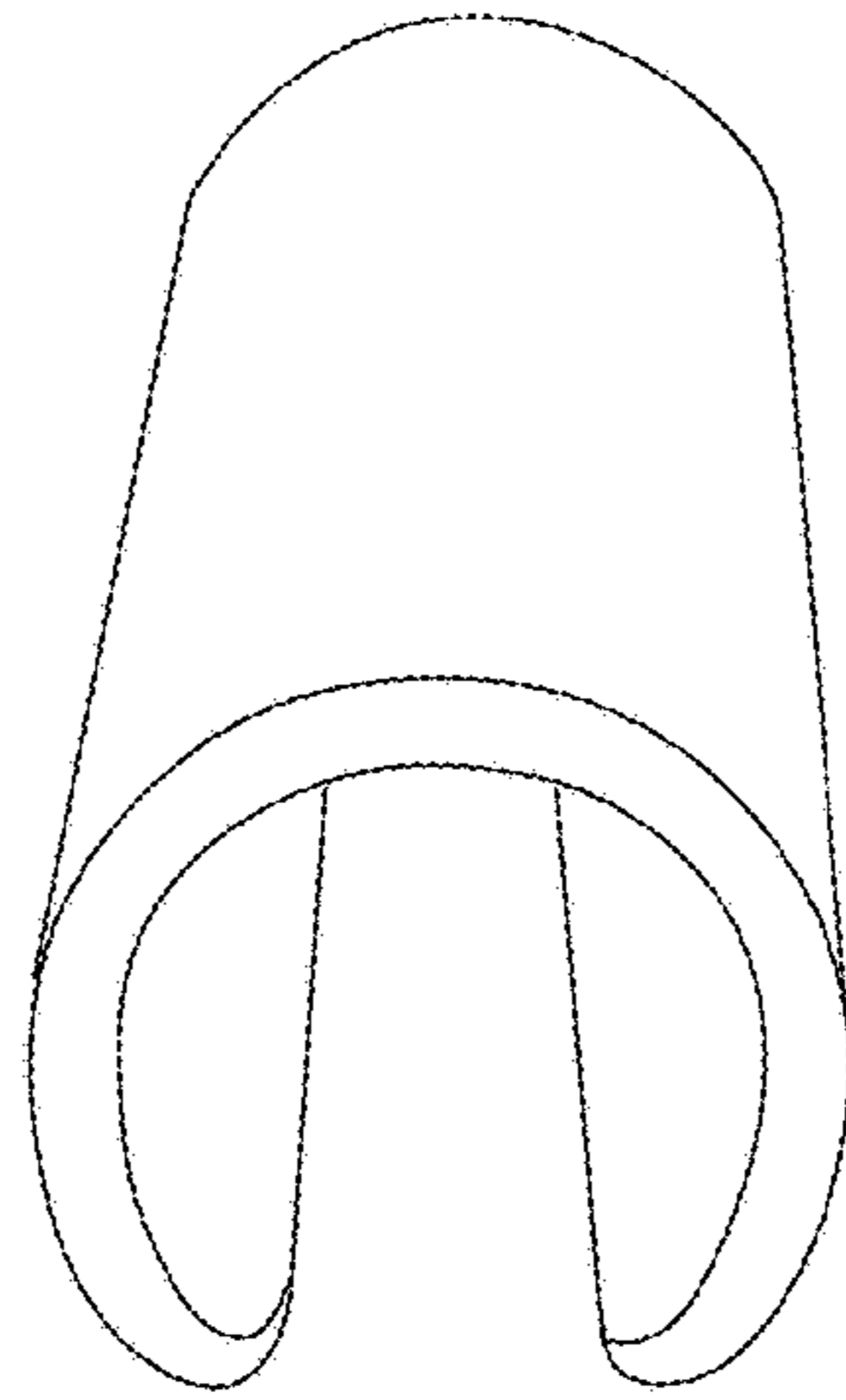


FIG. 1

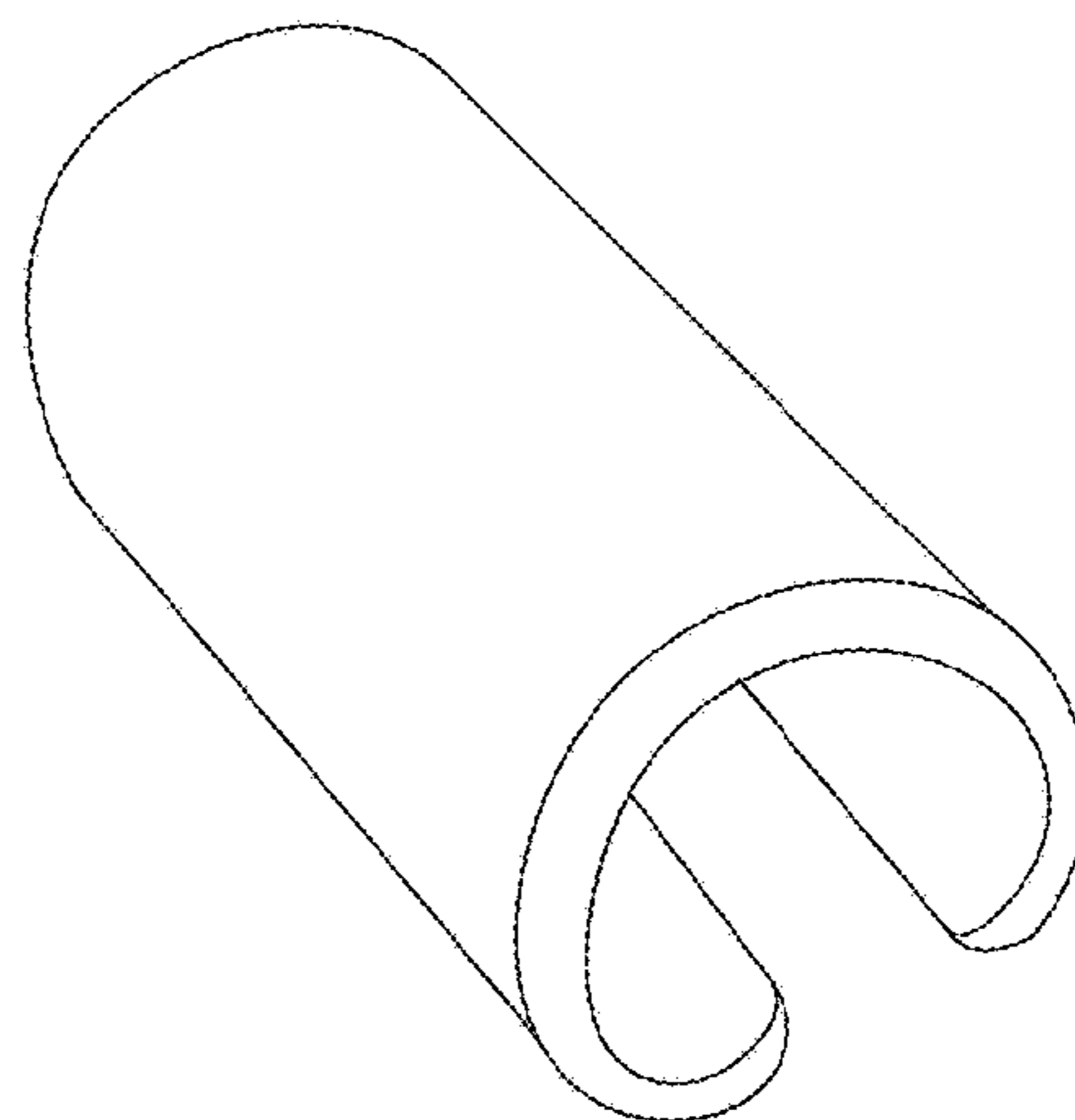


FIG. 2

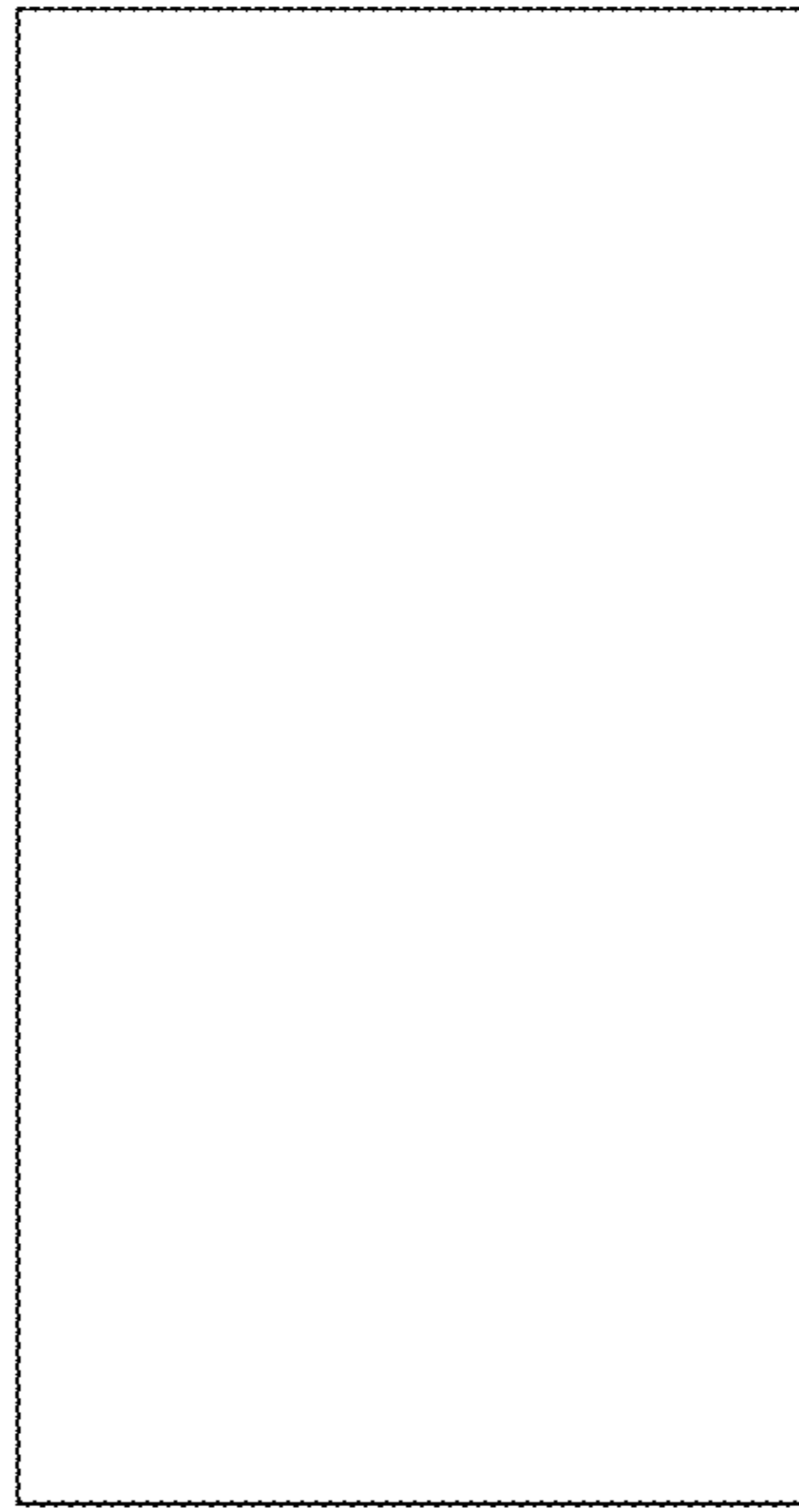


FIG. 3

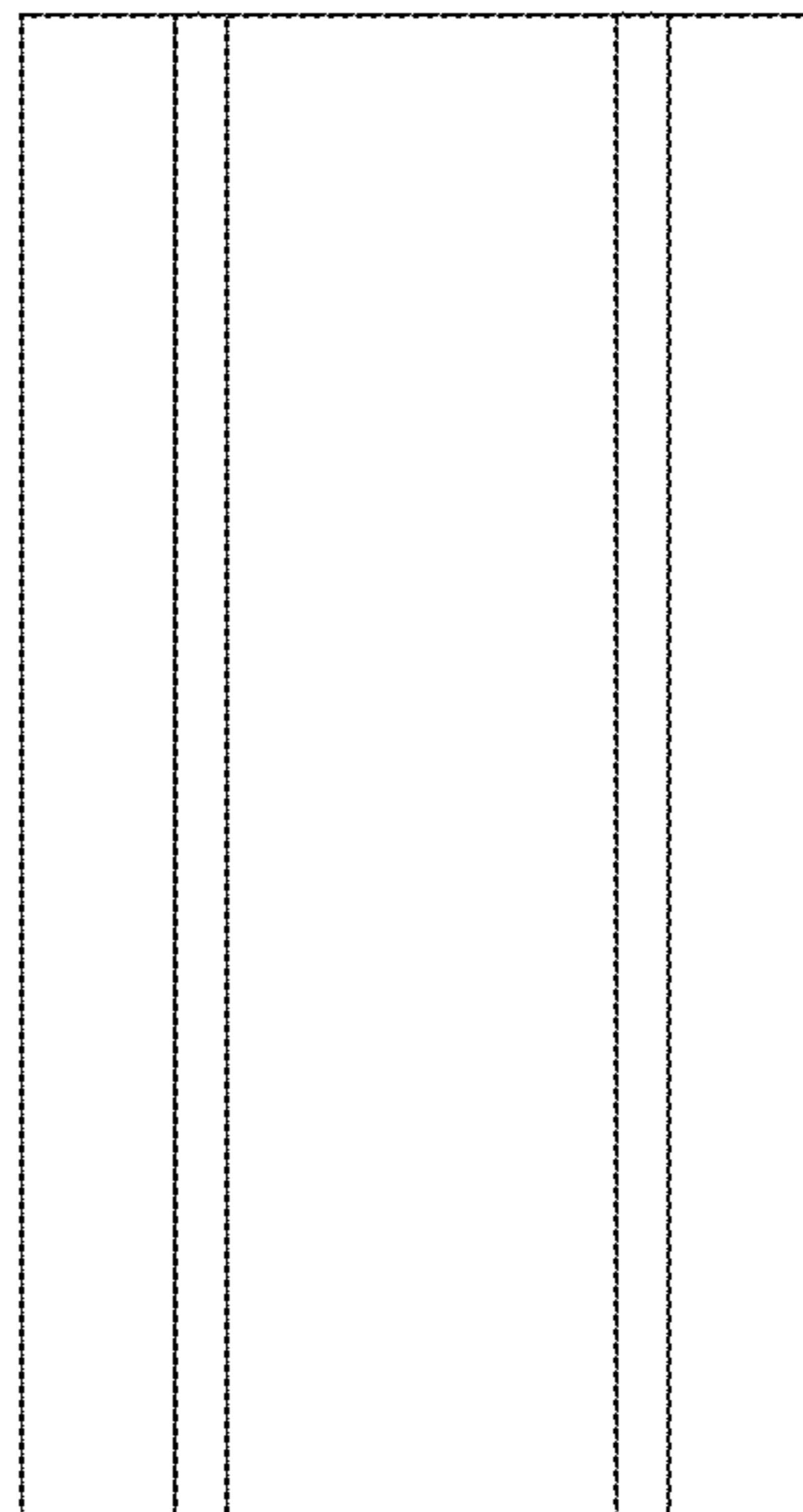


FIG. 4

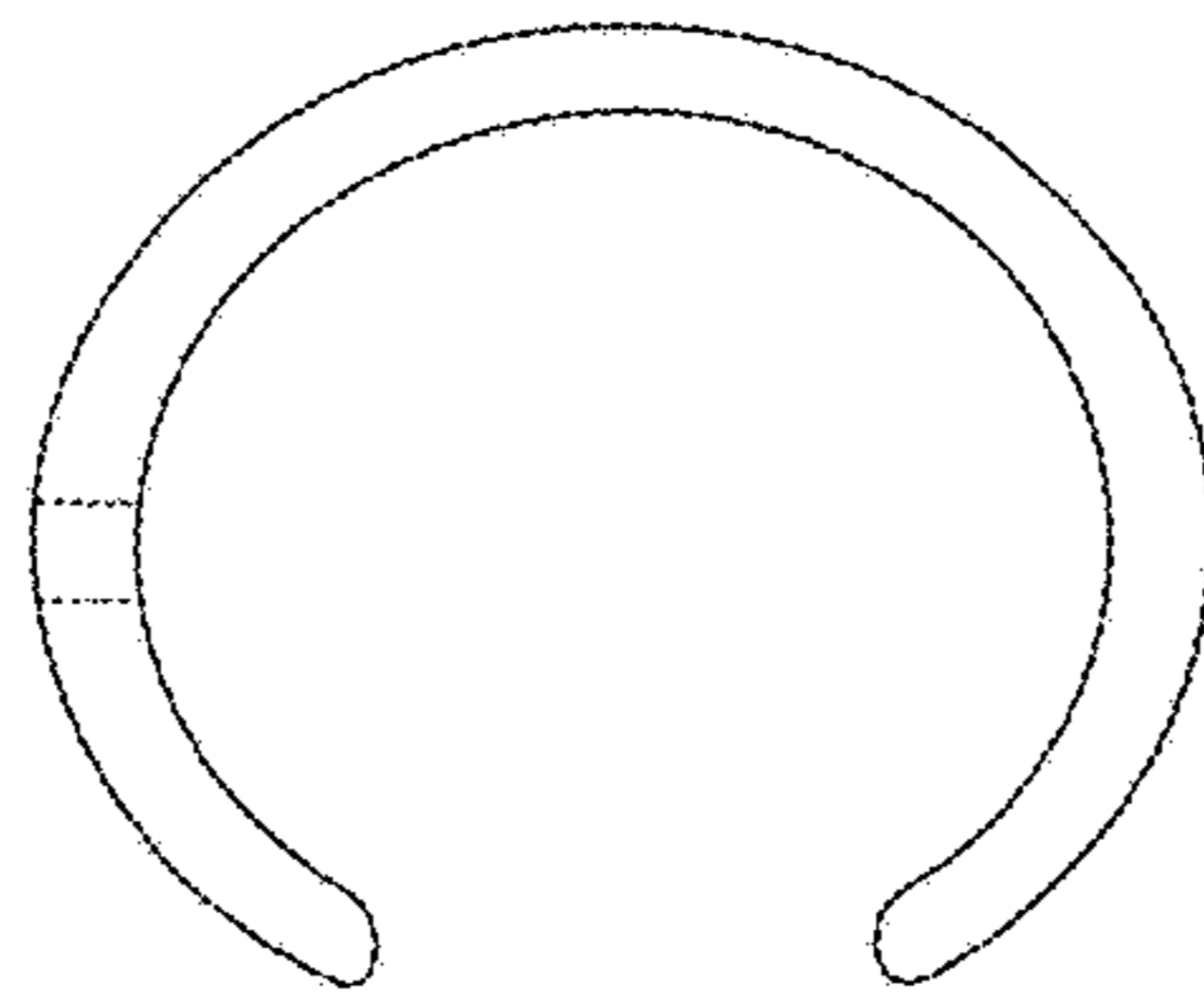


FIG. 5

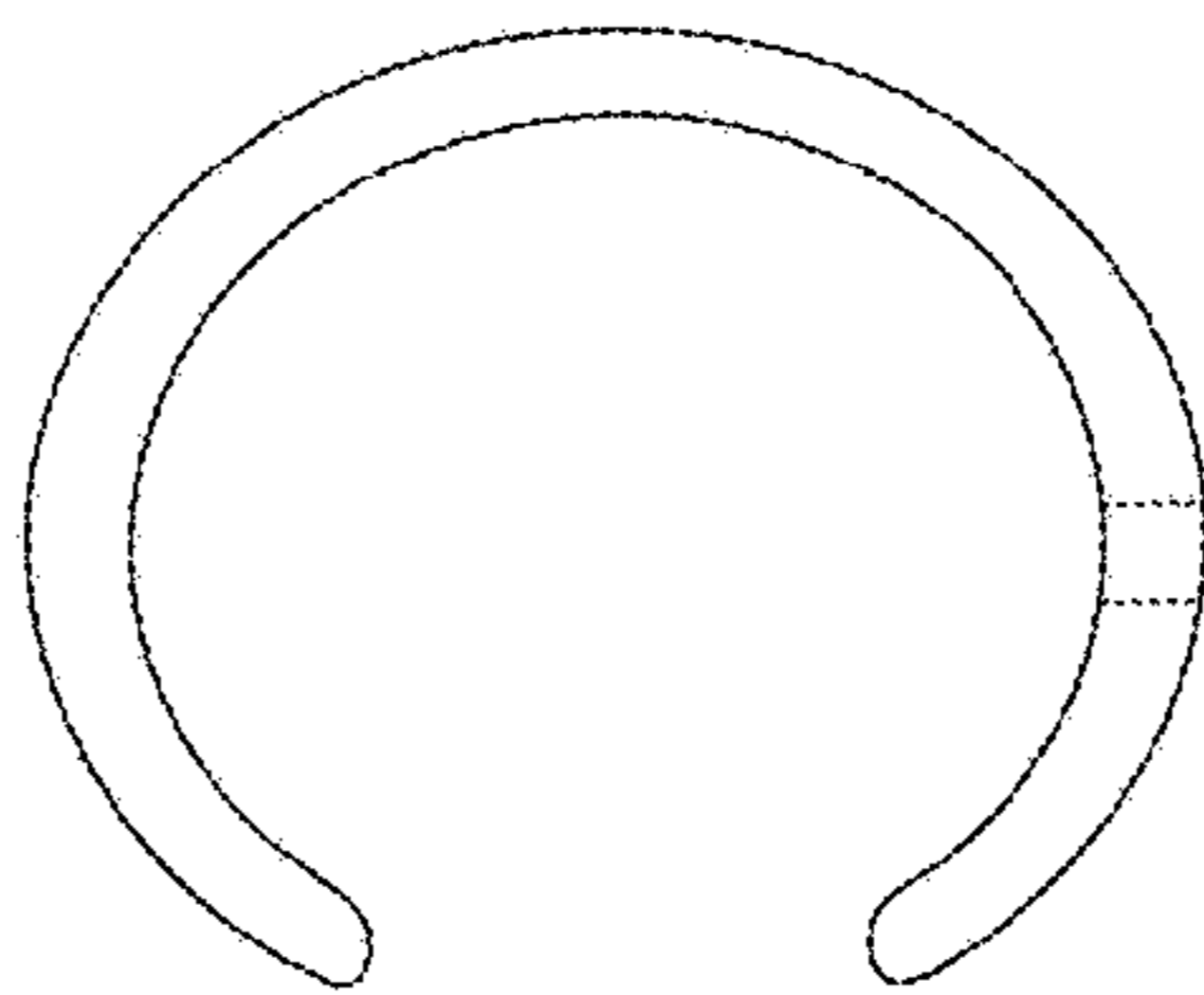


FIG. 6

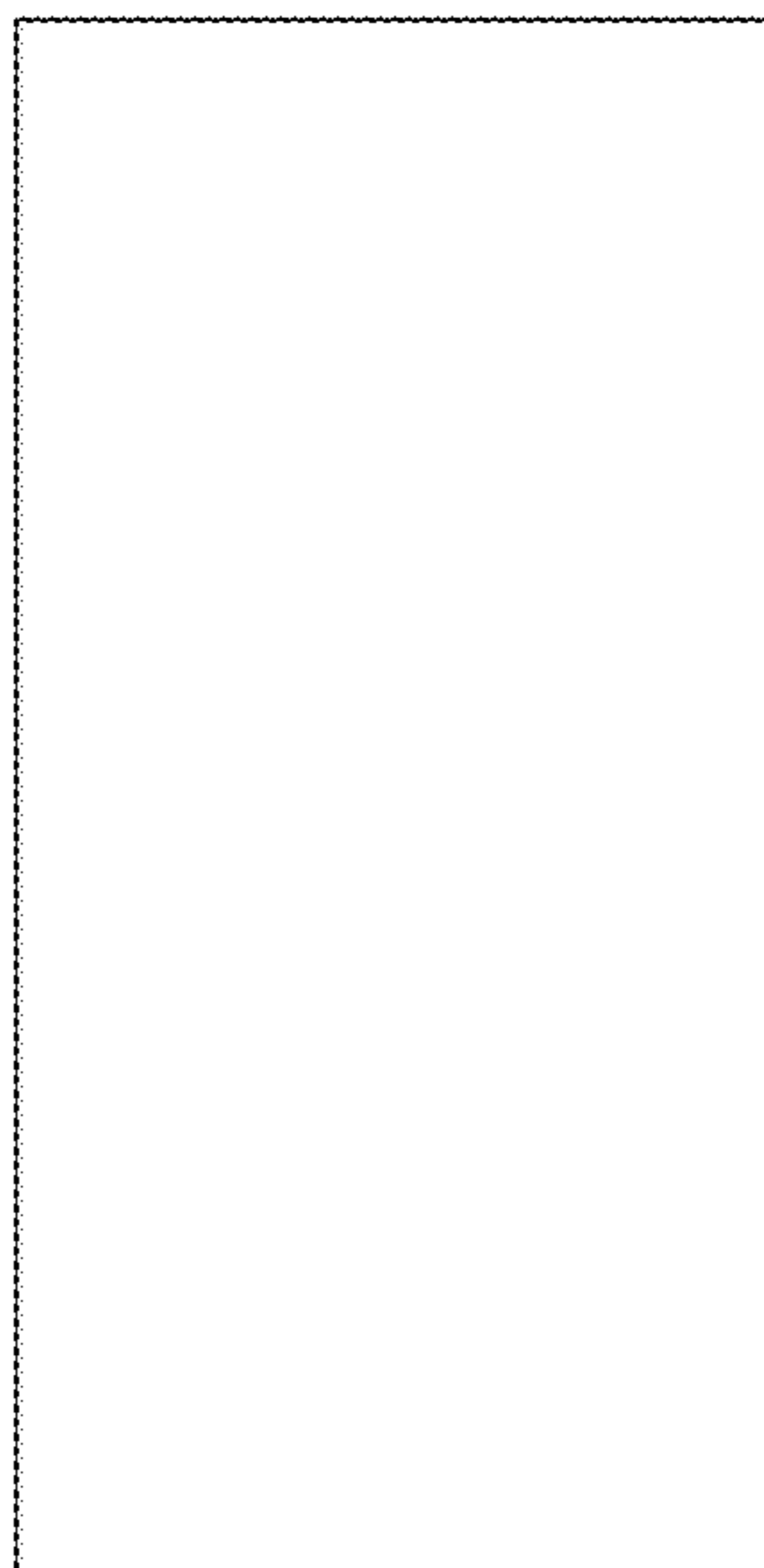


FIG. 7

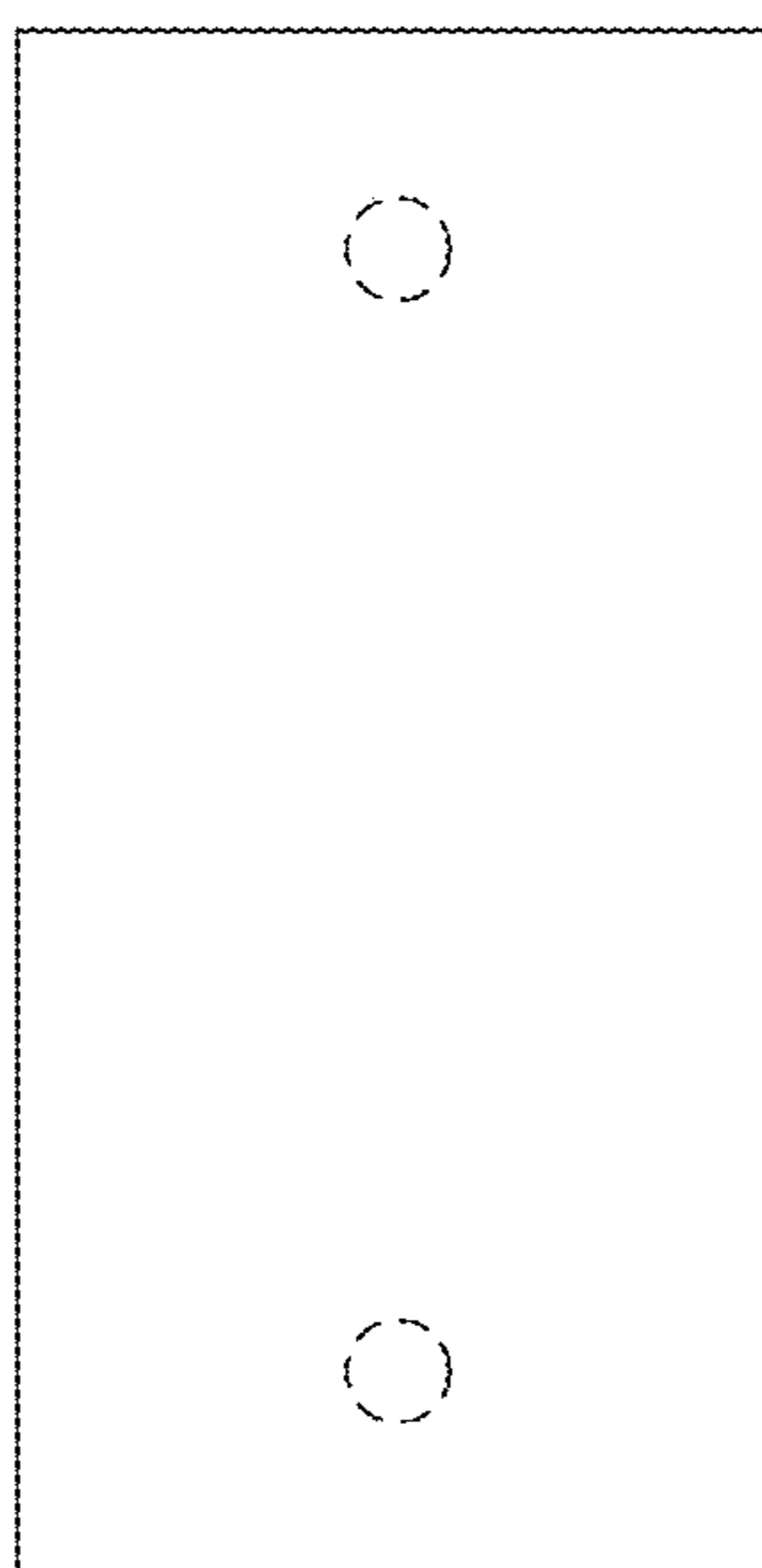


FIG. 8

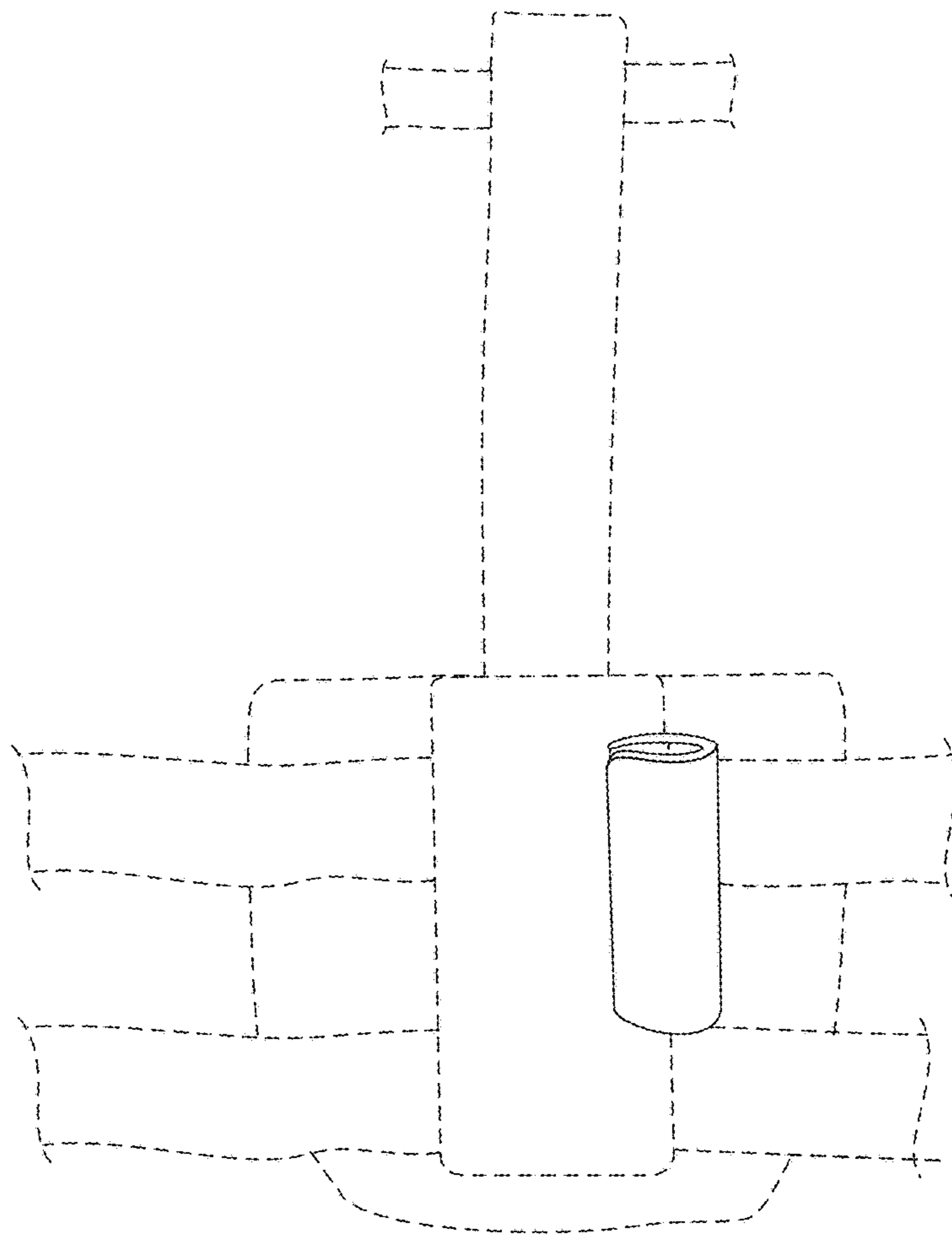


FIG. 9