



US00D855138S

(12) **United States Design Patent** (10) **Patent No.:** **US D855,138 S**  
**Cheng et al.** (45) **Date of Patent:** **\*\* Jul. 30, 2019**

(54) **AR 15 DRESSING KIT**

(71) Applicants: **Carson Cheng**, City of Industry, CA (US); **Jason Michael Cheng**, City of Industry, CA (US); **Richard Thomas**, City of Industry, CA (US)

(72) Inventors: **Carson Cheng**, City of Industry, CA (US); **Jason Michael Cheng**, City of Industry, CA (US); **Richard Thomas**, City of Industry, CA (US)

(73) Assignee: **NcSTAR, Inc.**, City of Industry, CA (US)

(\*\*) Term: **15 Years**

(21) Appl. No.: **29/622,829**

(22) Filed: **Oct. 19, 2017**

(51) **LOC (11) Cl.** ..... **22-01**

(52) **U.S. Cl.**  
USPC ..... **D22/108**; D22/109; D22/111

(58) **Field of Classification Search**  
USPC ..... D22/100, 101, 102, 103, 104, 105, 106, D22/107, 108, 109, 110, 111, 199; D21/571, 573, 574, 575, 746  
CPC ..... F41C 23/14; F41C 23/20; F41C 23/04; F41C 23/00; F41C 23/10; F41C 27/00; F41C 7/00; F41C 23/06; F41C 3/00; F41B 5/10; F41B 5/14; F41B 5/0094; F41B 5/1469; F41B 5/00  
See application file for complete search history.

(56) **References Cited**

**U.S. PATENT DOCUMENTS**

D614,723 S \* 4/2010 Bentley ..... D22/109  
D641,825 S \* 7/2011 Gridelet ..... D22/103  
D648,412 S \* 11/2011 Cook ..... D22/108  
D687,507 S \* 8/2013 Vaicunas ..... D22/107  
D722,672 S \* 2/2015 Juarez ..... D22/108

D763,396 S \* 8/2016 Juarez ..... D22/108  
D775,298 S \* 12/2016 Barnett ..... D22/107  
D780,277 S \* 2/2017 Barnett ..... D22/107  
D814,598 S \* 4/2018 Monti ..... D22/108  
D827,753 S \* 9/2018 Lessard ..... D22/103

**OTHER PUBLICATIONS**

“HERA Arms CQR stock and grip” [online]. Eric B. [Published on Jan. 21, 2017]. Retrieved from the Internet: <<https://www.thefirearmblog.com/blog/2017/01/21/hera-arms-cgr-stock-grip-12-000-people-waiting-list/>>.\*

\* cited by examiner

*Primary Examiner* — Khawaja Anwar

*Assistant Examiner* — Mojtaba Tehrani

(74) *Attorney, Agent, or Firm* — Raymond Y. Chan; David and Raymond Patent Firm

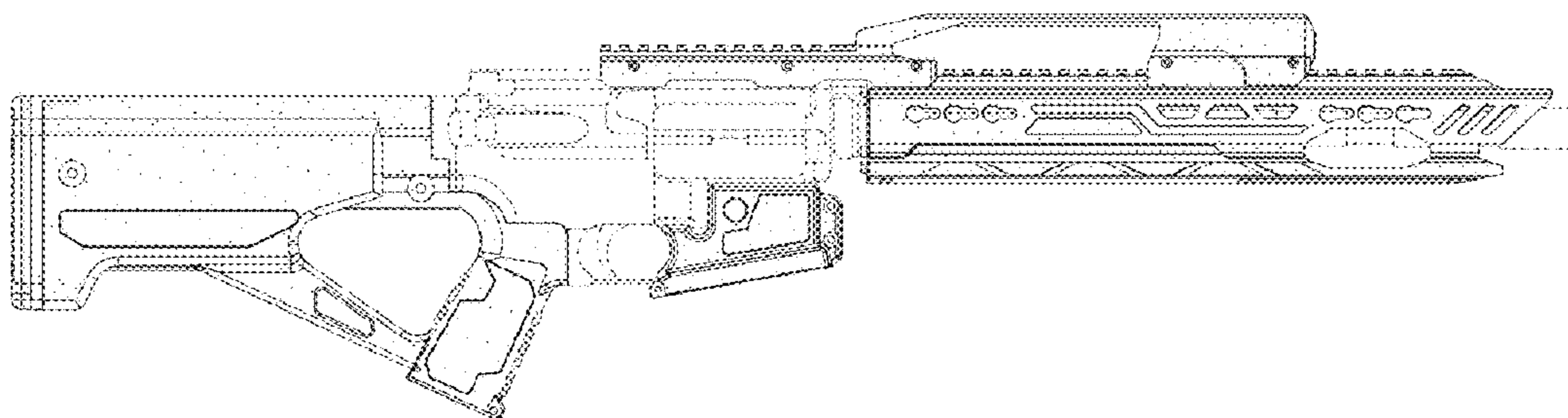
(57) **CLAIM**

The ornamental design for an AR 15 dressing kit, as shown and described.

**DESCRIPTION**

FIG. 1 is a front perspective view of an AR 15 dressing kit, showing our new design;  
FIG. 2 is a front view thereof;  
FIG. 3 is a rear view thereof;  
FIG. 4 is a right view thereof;  
FIG. 5 is a left view thereof;  
FIG. 6 is a top view thereof;  
FIG. 7 is a bottom view thereof;  
FIG. 8 is a rear perspective view thereof;  
FIG. 9 is another rear perspective view thereof; and,  
FIG. 10 is another front perspective view thereof.  
The broken lines represent unclaimed portions of the design article. All of the broken lines forms no part of the claimed design.

**1 Claim, 9 Drawing Sheets**



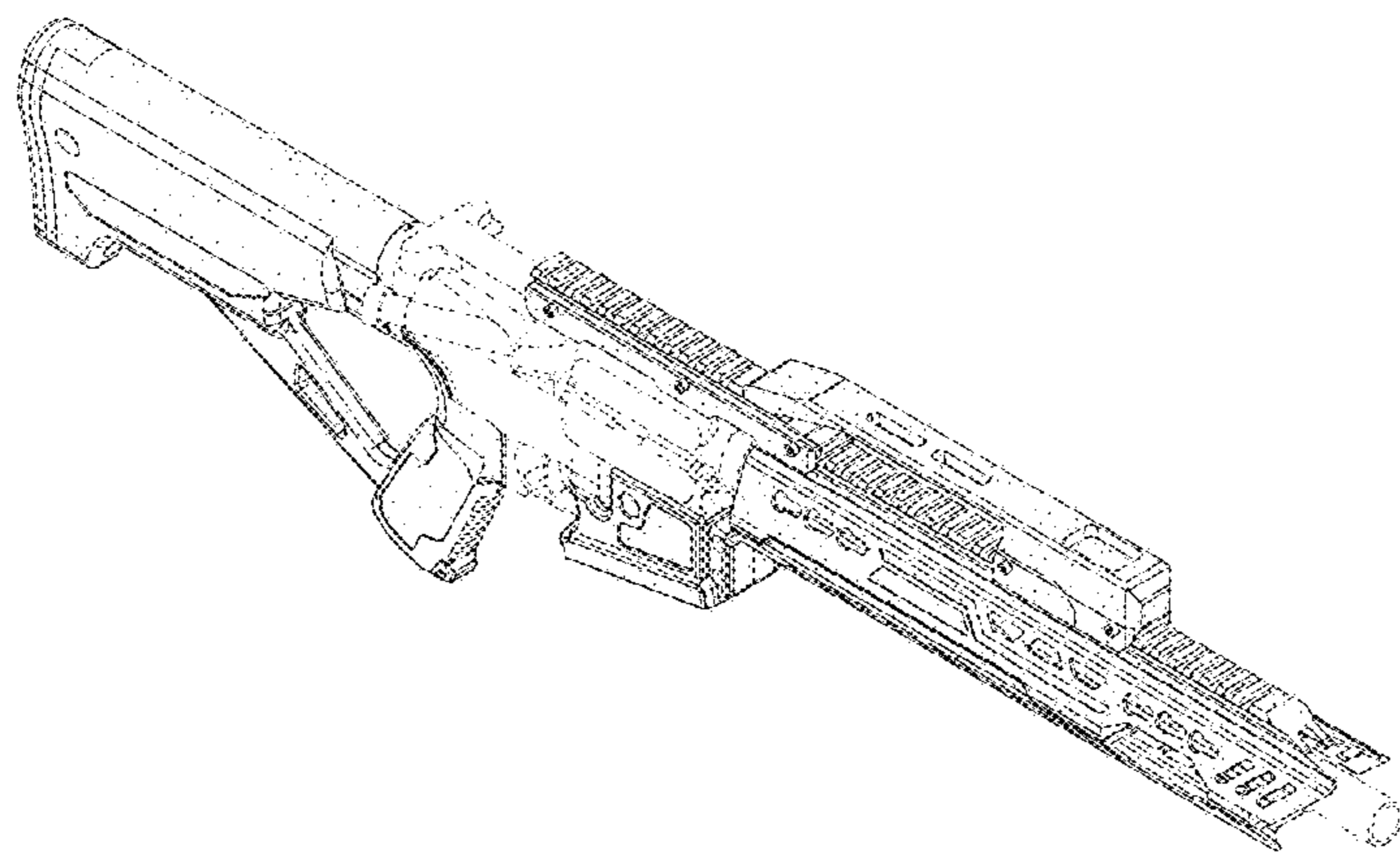


FIG.1

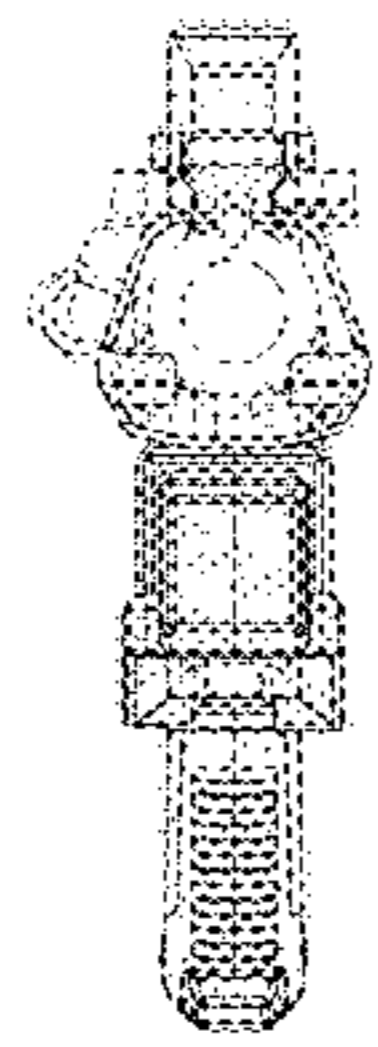


FIG. 2

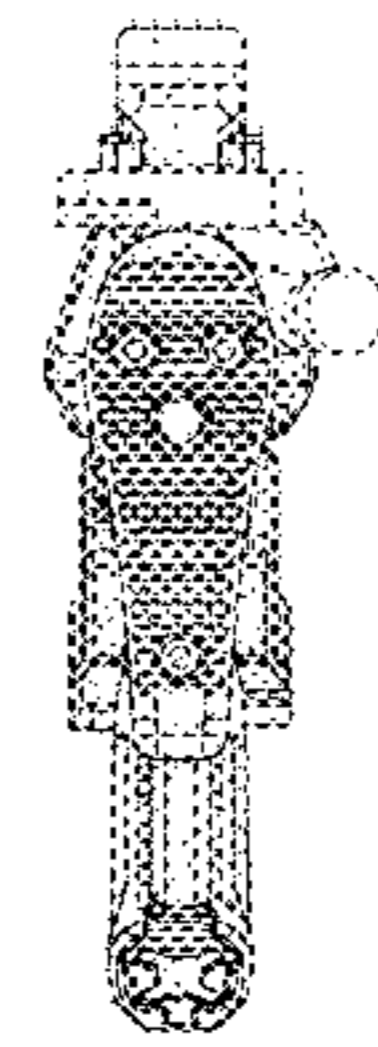


FIG. 3

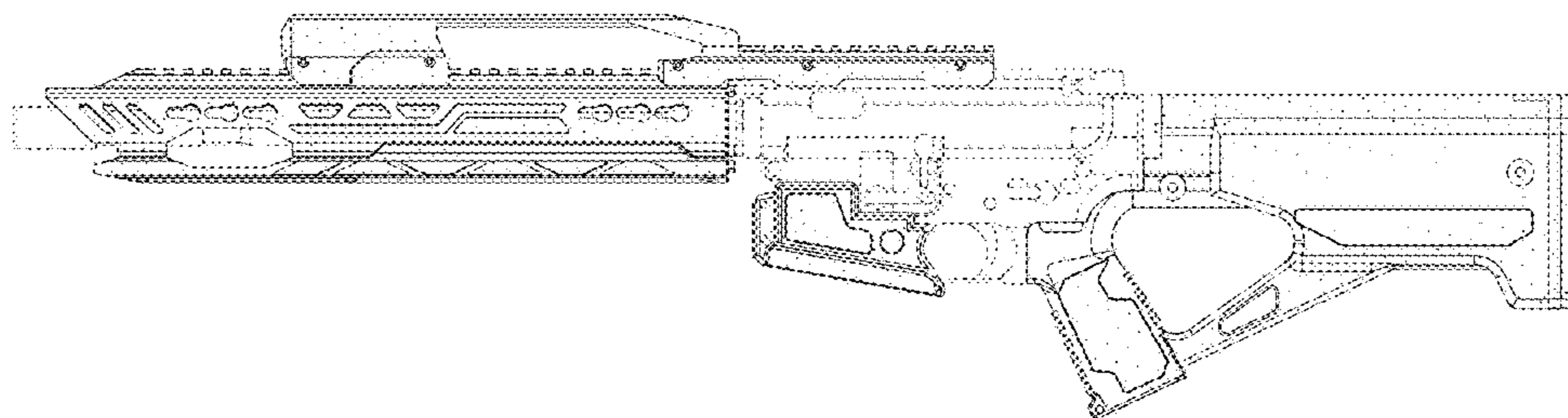


FIG.4

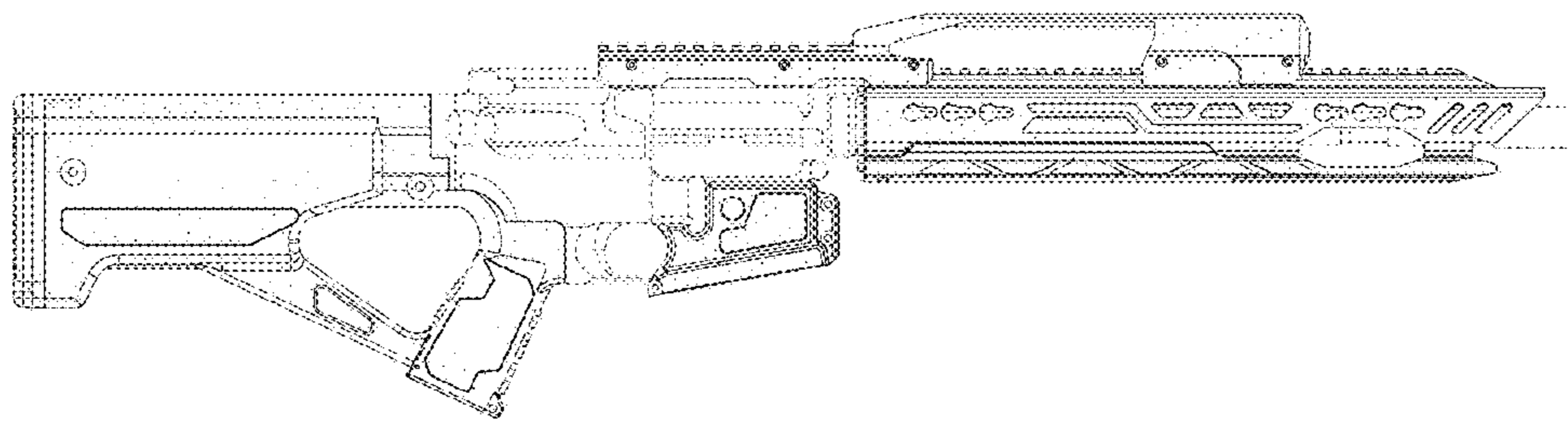


FIG.5

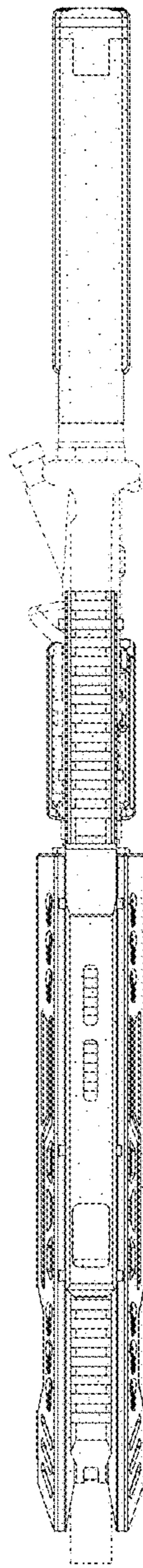


FIG.6

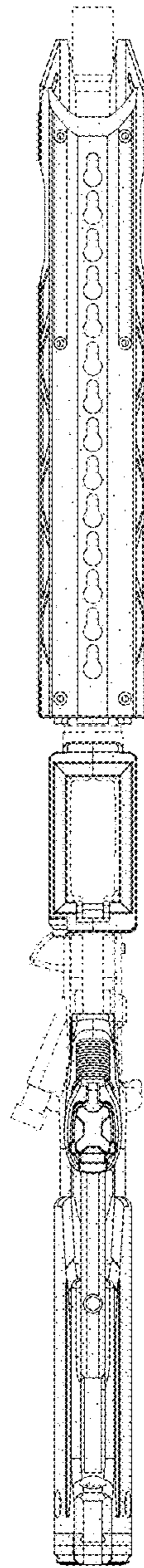


FIG.7

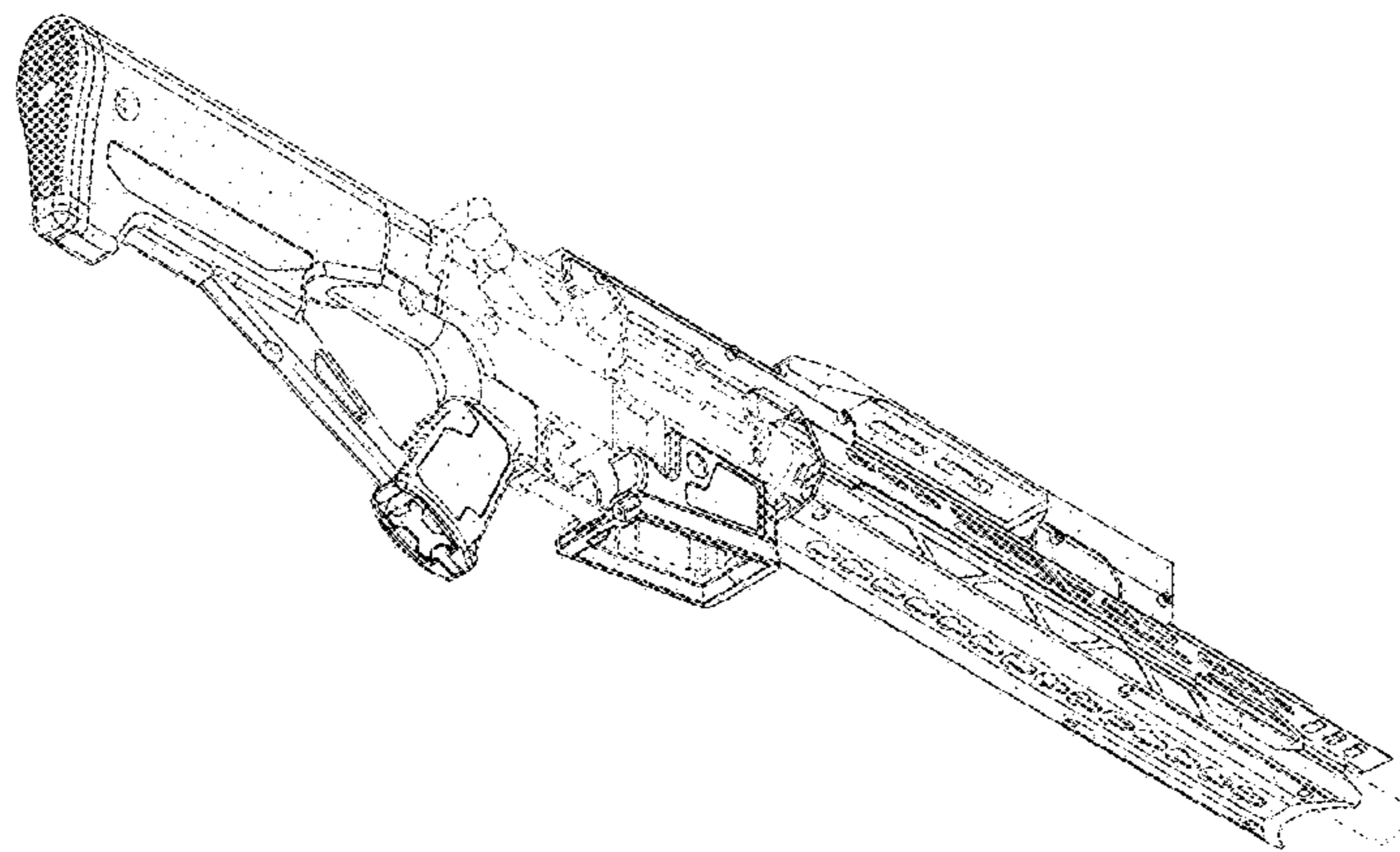


FIG.8



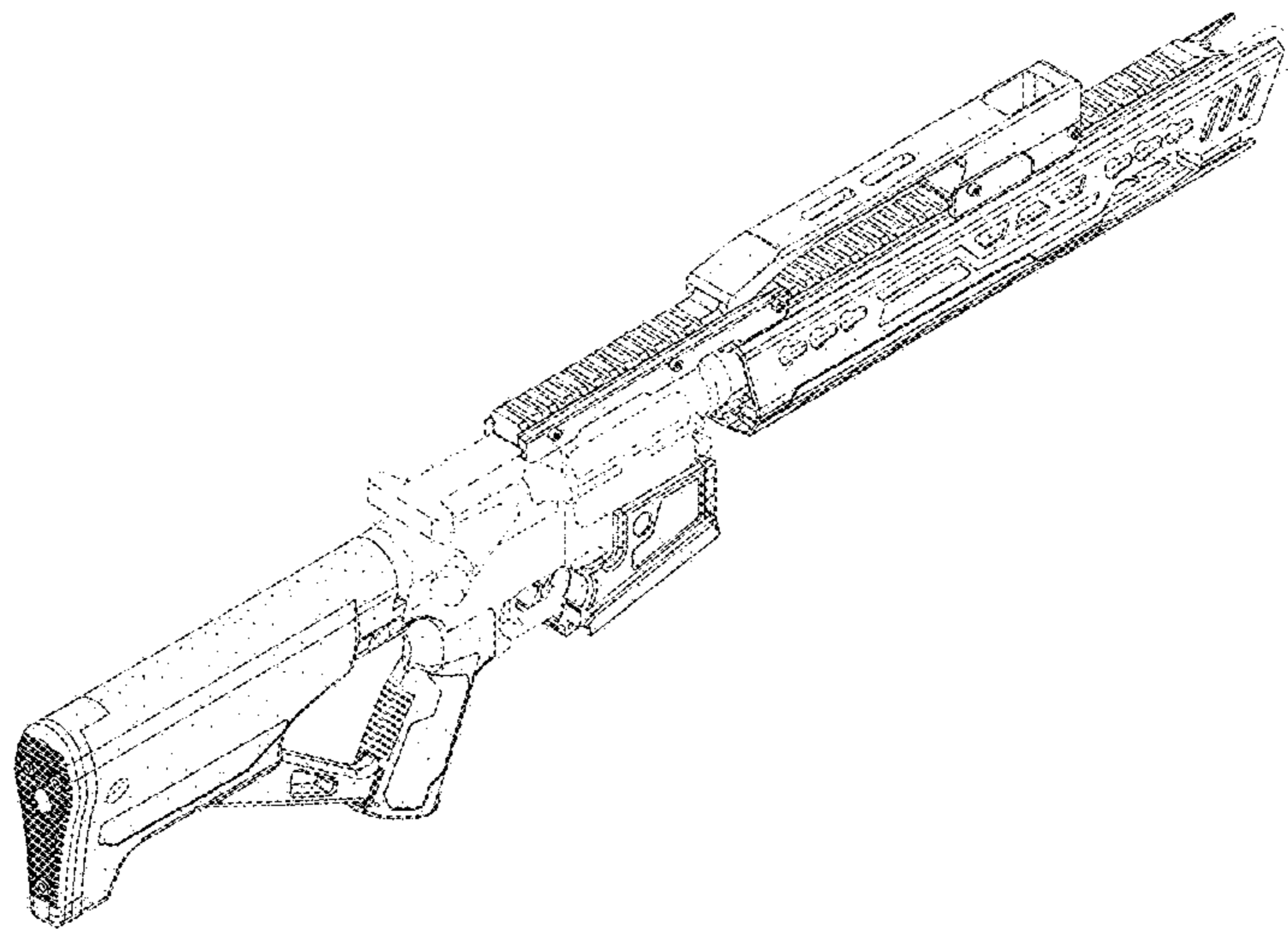


FIG.9

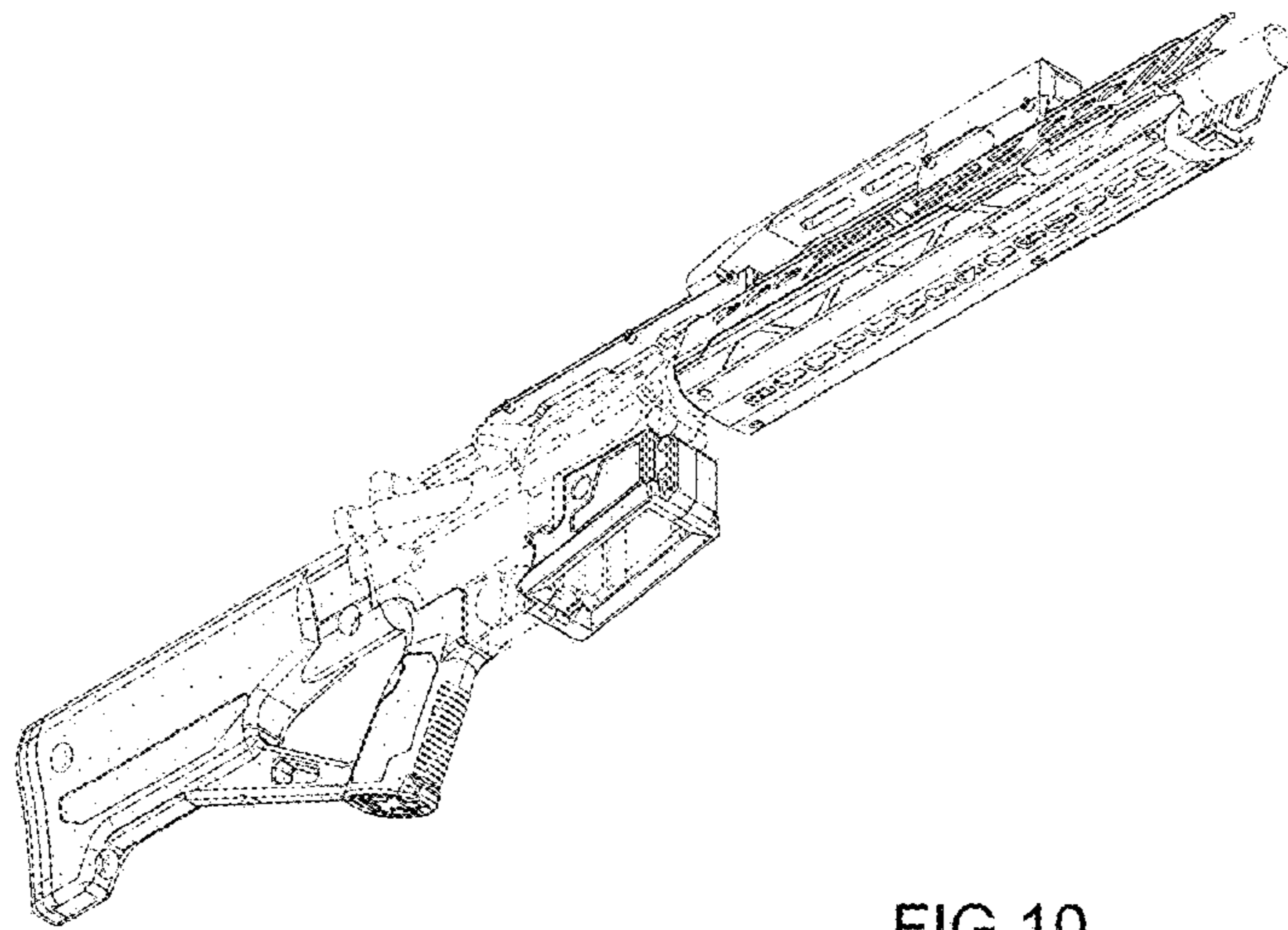


FIG.10