



US00D855137S

(12) **United States Design Patent** (10) **Patent No.:** **US D855,137 S**
Wiley et al. (45) **Date of Patent:** **** Jul. 30, 2019**

(54) **FIREARM SUPPRESSOR SLEEVE**

FOREIGN PATENT DOCUMENTS

(71) Applicant: **Jamak Fabrication—Tex LLC**,
Weatherford, TX (US)

GB 4042378 7/2015
GB 5001326 1/2016

(72) Inventors: **Thomas D. Wiley**, Arlington, TX (US);
Steve Meeks, Mineral Wells, TX (US)

OTHER PUBLICATIONS

(73) Assignee: **Jamak Fabrication—Tex LLC**,
Weatherford, TX (US)

www.thefirearmblog.com/blog/2013/12/26/manta-m700-sound-suppressor-covers/
www.thefirearmblog.com/blog/2014/04/14/gear-review-bowers-group-griptastic-suppressor-covers/.

(**) Term: **15 Years**

Primary Examiner — Karen S Acker
Assistant Examiner — Steven B Reinholdt, Jr.

(21) Appl. No.: **29/603,291**

(74) *Attorney, Agent, or Firm* — McGuireWoods LLP

(22) Filed: **May 8, 2017**

(57) **CLAIM**

We claim the ornamental design for a firearm suppressor sleeve, as shown and described.

Related U.S. Application Data

DESCRIPTION

(62) Division of application No. 29/551,911, filed on Jan. 18, 2016, now Pat. No. Des. 788,873.

(51) **LOC (11) Cl.** **22-01**

(52) **U.S. Cl.**
USPC **D22/108**

(58) **Field of Classification Search**
USPC D22/100, 101, 103, 104, 108, 199;
D21/572, 573; D25/119–125; D9/430
CPC F41A 13/00; F41A 35/04
See application file for complete search history.

FIG. 1 is an isometric view of a firearm suppressor sleeve according to our new design;
FIG. 2 is a front view of the firearm suppressor sleeve of FIG. 1;
FIG. 3 is a rear view of the firearm suppressor sleeve of FIG. 1;
FIG. 4 is a side view of the firearm suppressor sleeve of FIG. 1;
FIG. 5 is a top view of the firearm suppressor sleeve of FIG. 1; and,
FIG. 6 is an isometric view showing the firearm suppressor sleeve of FIG. 1 in a state of use with an unclaimed firearm suppressor as environment.

(56) **References Cited**

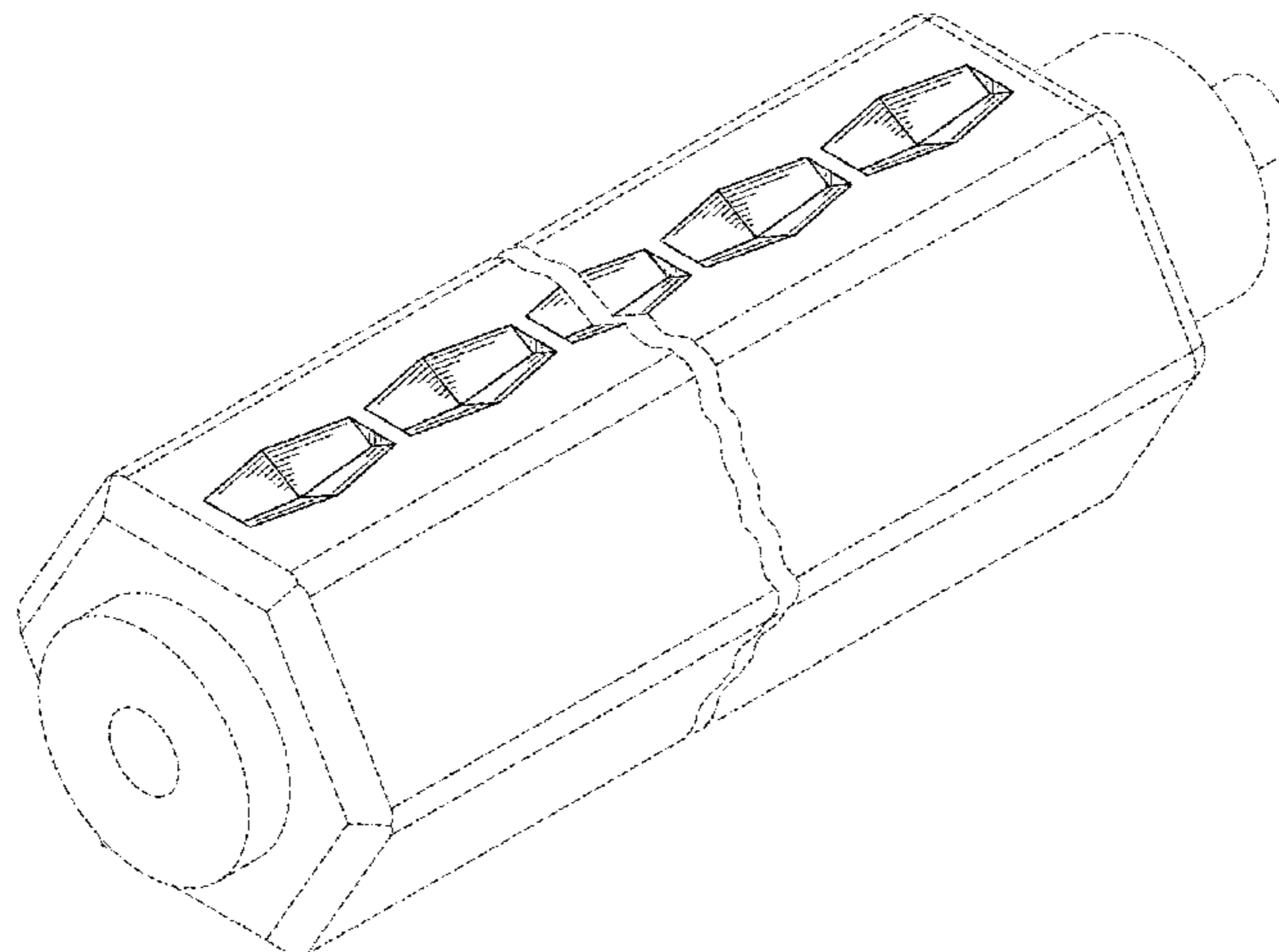
U.S. PATENT DOCUMENTS

1,674,986 A 6/1928 Norwood
2,965,994 A 12/1960 Sullivan
4,346,643 A 8/1982 Taylor et al.
D279,812 S 7/1985 Cellini
4,762,048 A 8/1988 Higashi et al.
5,183,953 A 2/1993 Anderson et al.
D344,351 S 2/1994 Stagl
D370,273 S 5/1996 Stagl
D375,159 S 10/1996 Johansson

All broken lines and all areas adjacent to shaded elements depict portions of the firearm suppressor sleeve that form no part of the claimed design. In FIG. 6 the included firearm suppressor drawn in broken lines is environmental subject matter that forms no part of the claimed design. The drawings include a symbolic break along the length of the article drawn in broken lines. The symbolic break lines and the areas between them form no part of the claimed design.

(Continued)

1 Claim, 5 Drawing Sheets



(56)

References Cited

U.S. PATENT DOCUMENTS

D380,886 S	7/1997	Hauser		D632,751 S	2/2011	Bowers et al.	
5,661,920 A	9/1997	Evans		D640,133 S	6/2011	Jones et al.	
5,778,590 A	7/1998	Browning et al.		8,347,773 B2	1/2013	Schlenkert et al.	
5,850,706 A	12/1998	Evans		8,397,615 B2	3/2013	Poling	
D415,574 S	10/1999	Shrira		D682,974 S *	5/2013	Honigmann	D22/108
D427,669 S	7/2000	Ruuska		D682,975 S *	5/2013	Honigmann	D22/108
D441,877 S *	5/2001	Fortier	D25/122	8,973,481 B2	3/2015	Dueck et al.	
D471,036 S	3/2003	Tsent		9,140,511 B2	9/2015	Michal et al.	
D473,663 S *	4/2003	Chou	D25/122	9,239,201 B1 *	1/2016	Reis Green	F41A 21/30
D475,798 S	6/2003	Galli		D767,072 S	9/2016	Dulisse	
D476,103 S	6/2003	Galli		D767,073 S	9/2016	Dulisse	
D501,054 S	1/2005	Galli		D769,395 S	10/2016	Dulisse	
D549,860 S	8/2007	Gustafson et al.		D780,356 S *	2/2017	Nguyen	D26/49
D551,880 S	10/2007	Chen		D788,873 S *	6/2017	Wiley	D22/108
D577,449 S *	9/2008	Shiu	D26/49	2007/0062090 A1	3/2007	Brindle	
D577,844 S	9/2008	Shiu		2012/0125184 A1	5/2012	Meyers	
D579,595 S	10/2008	Shiu		2012/0273083 A1	11/2012	Lin	
D593,631 S	6/2009	Salva		2013/0061503 A1 *	3/2013	W.	F41A 13/12 42/76.01
				2014/0059913 A1 *	3/2014	Diamond	F41C 27/00 42/90

* cited by examiner

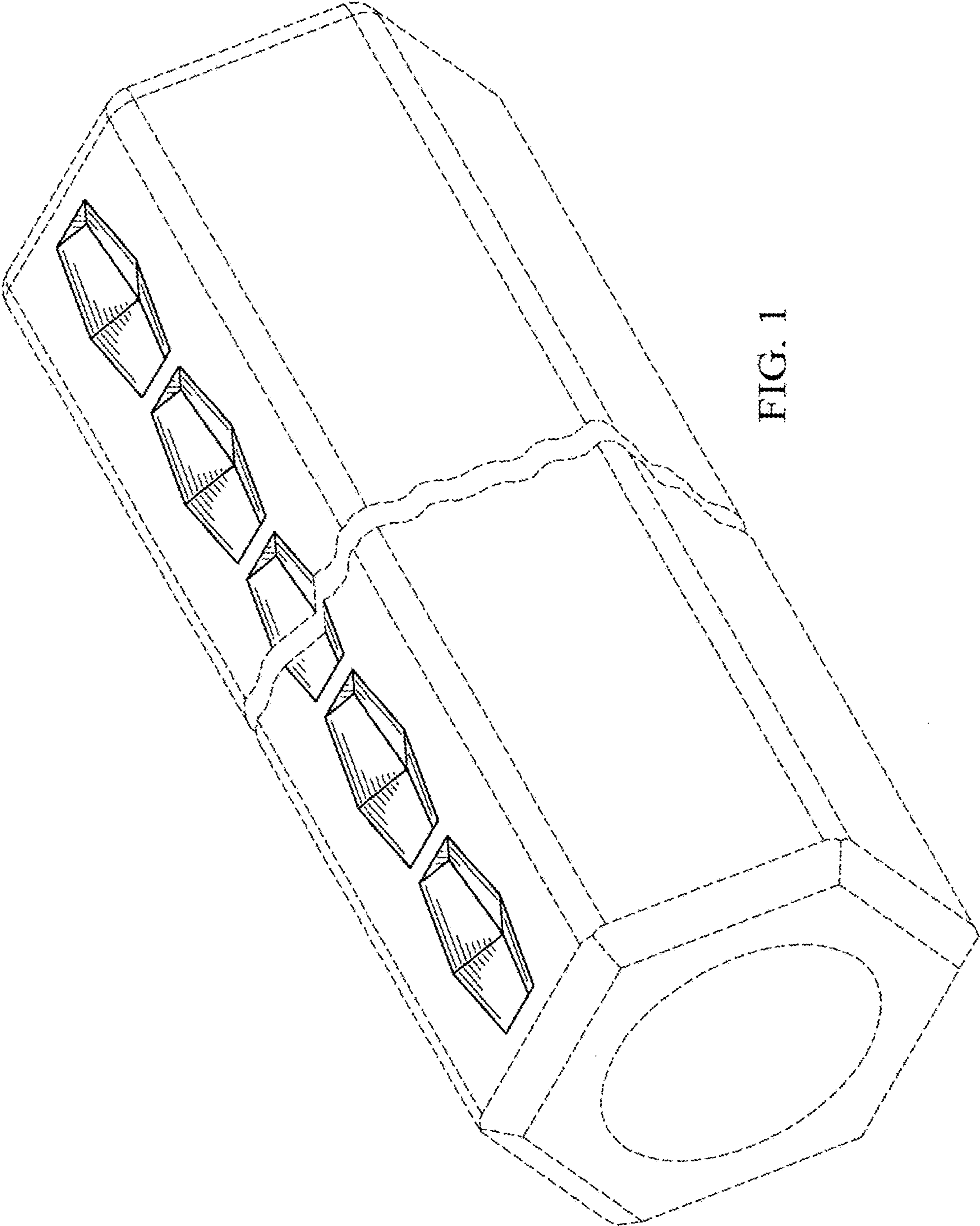


FIG. 1

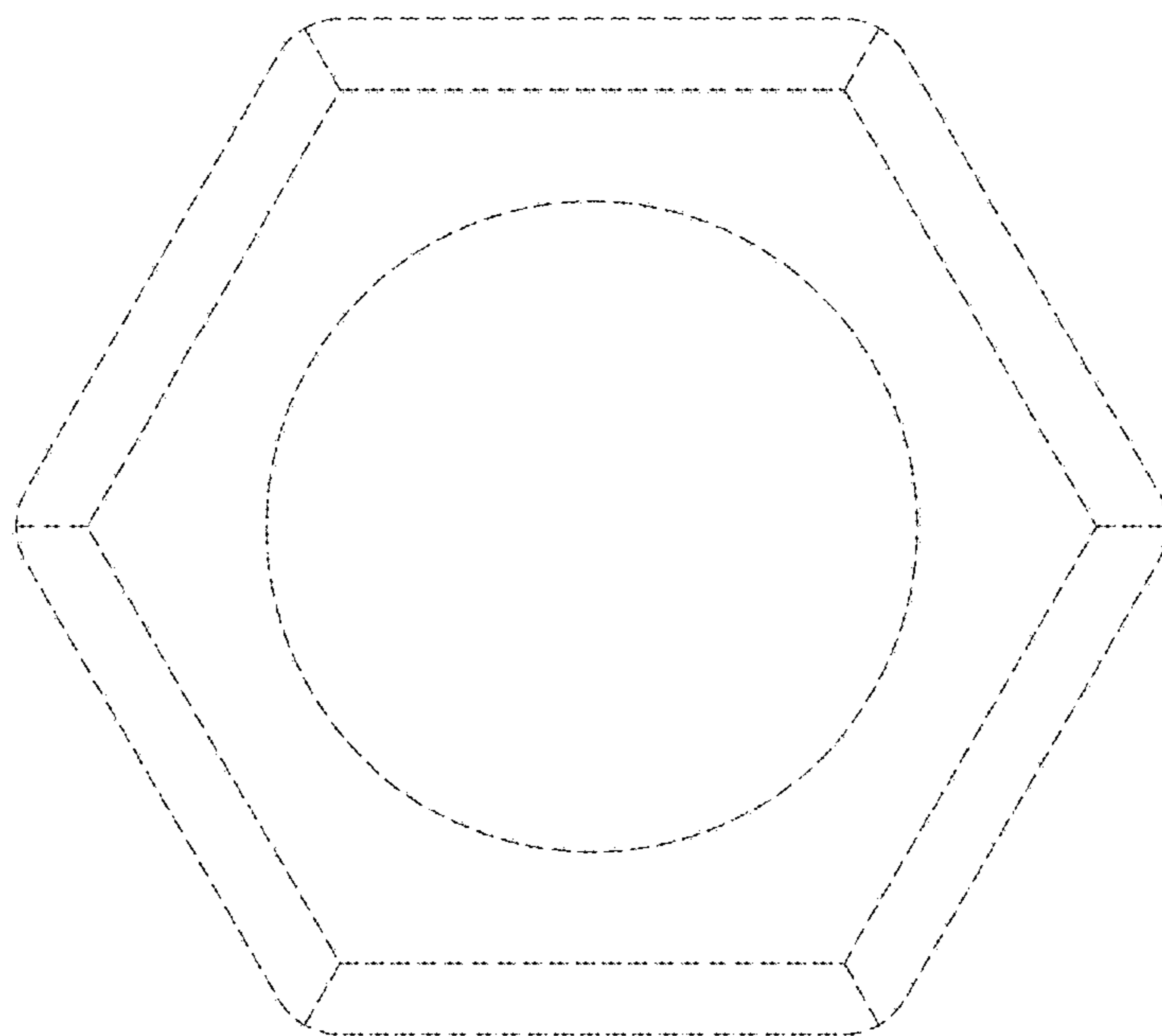


FIG. 2

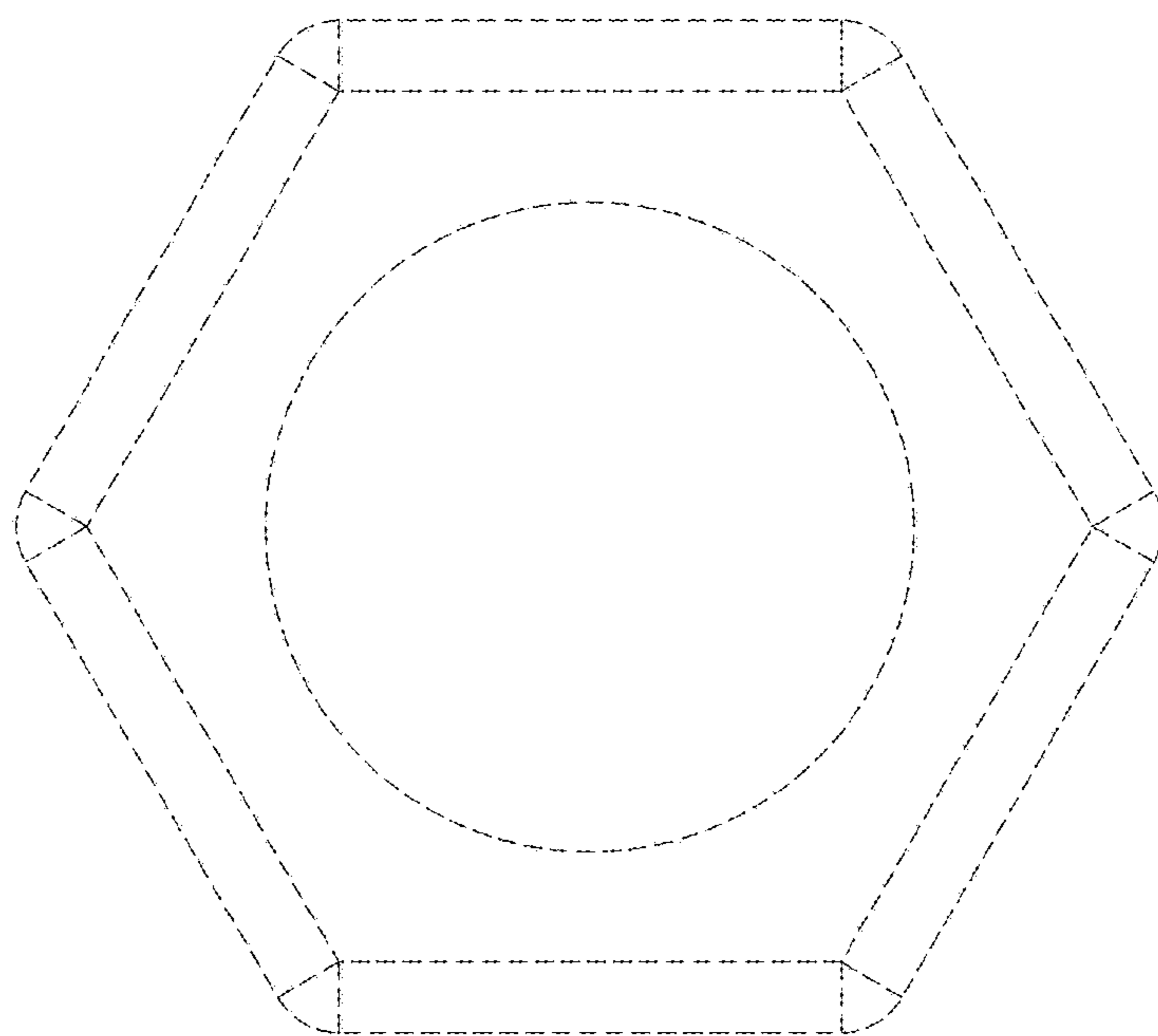


FIG. 3

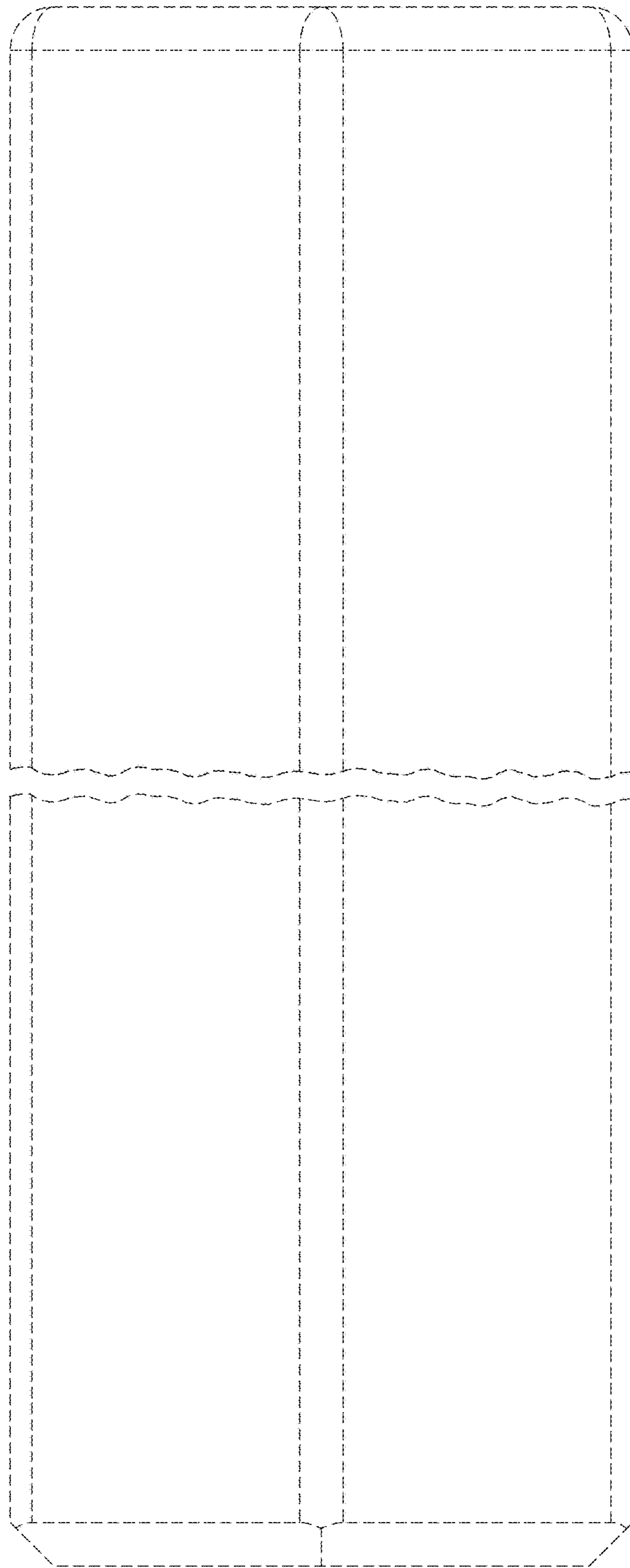
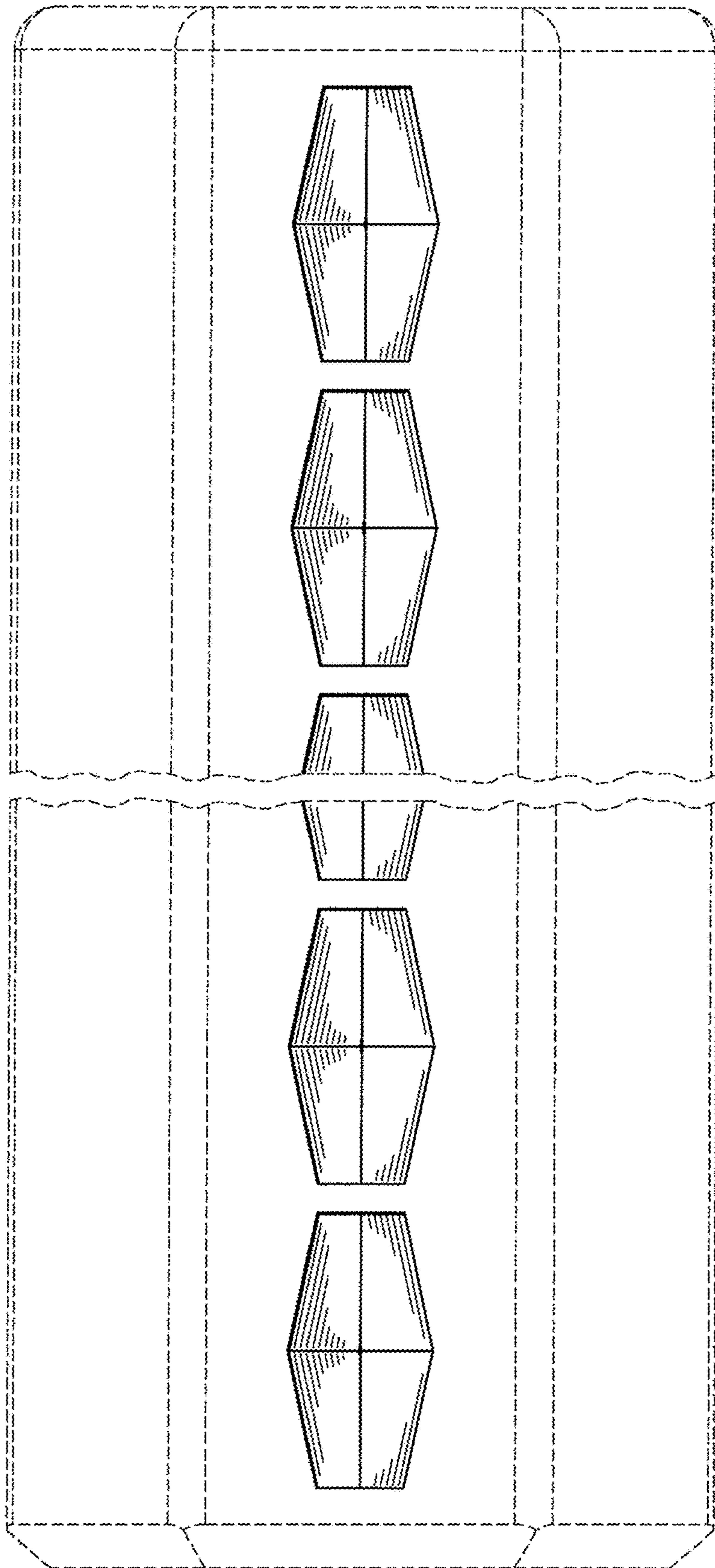


FIG. 4

FIG. 5



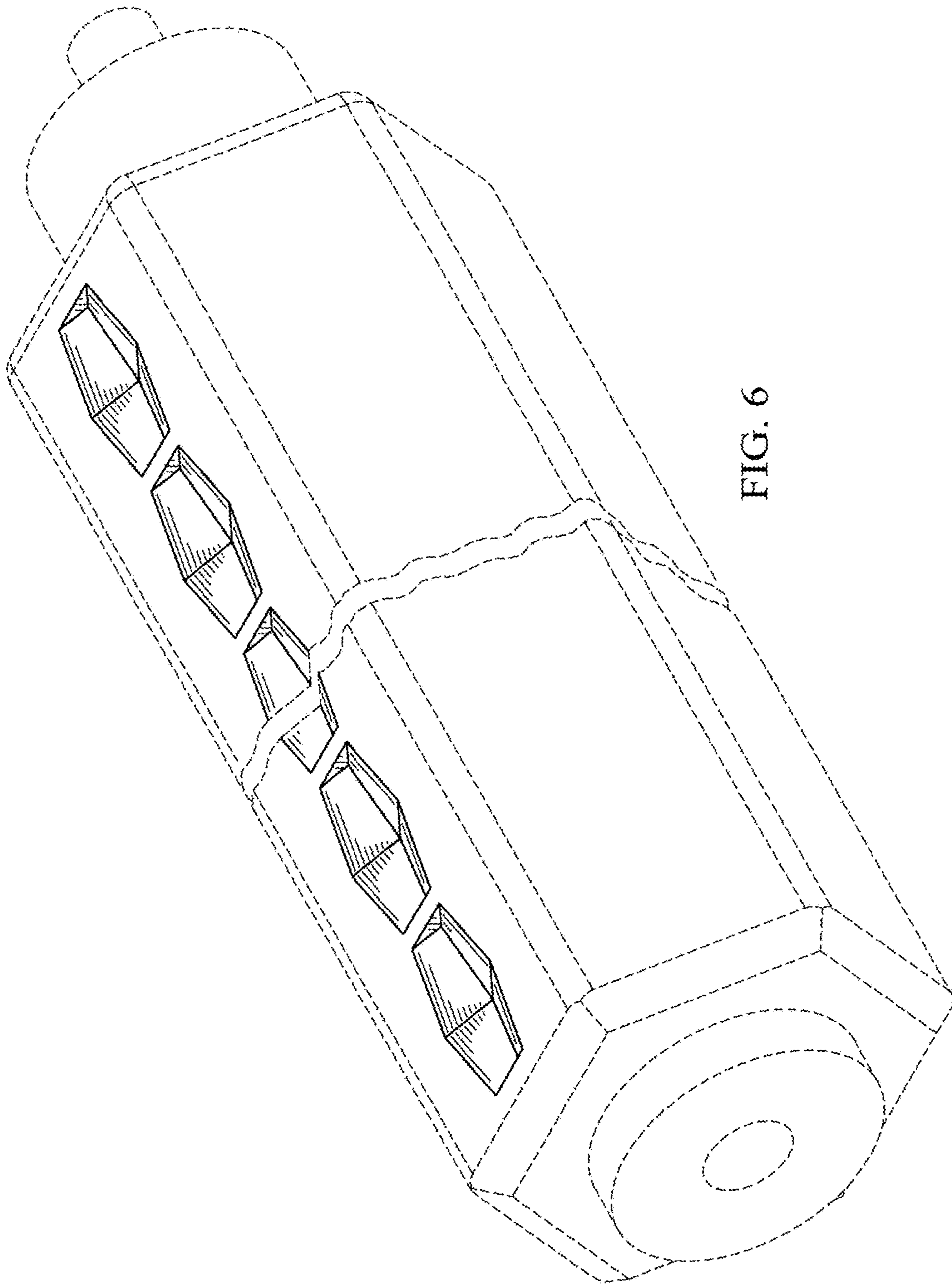


FIG. 6