



US00D855136S

(12) **United States Design Patent**  
**Briggs et al.**

(10) **Patent No.:** **US D855,136 S**  
(45) **Date of Patent:** **\*\* Jul. 30, 2019**

- (54) **LOOPING RIDE ELEMENT**
- (71) Applicant: **WHITEWATER WEST INDUSTRIES LTD.**, Richmond (CA)
- (72) Inventors: **Rick Briggs**, Springfield, IL (US);  
**Geoff Chutter**, Vancouver (CA);  
**Claudio Barrera**, South Surrey (CA);  
**Andrey Khomovskiy**, New Westminster (CA); **Bruce Bradley**, Vancouver (CA)
- (73) Assignee: **Whitewater West Industries Ltd.**, Richmond, BC (CA)
- (\*\*) Term: **15 Years**
- (21) Appl. No.: **29/625,616**
- (22) Filed: **Nov. 10, 2017**
- (51) **LOC (11) Cl.** ..... **21-03**
- (52) **U.S. Cl.**  
USPC ..... **D21/821**
- (58) **Field of Classification Search**  
USPC ..... D21/818-821  
CPC ..... A63G 21/00-21/22  
See application file for complete search history.

- D221,963 S \* 9/1971 Henning ..... D21/821
- D226,933 S \* 5/1973 Wormser et al. .... D21/821
- D227,382 S \* 6/1973 Wormser et al. .... D21/821
- 3,755,878 A \* 9/1973 Henning ..... A63G 21/00  
193/12
- 3,830,161 A 8/1974 Bacon
- 3,853,067 A 12/1974 Bacon

(Continued)

**FOREIGN PATENT DOCUMENTS**

- CA 2090878 3/1992
- CA 2328339 12/2001

(Continued)

*Primary Examiner* — Mitchell I. Siegel

(74) *Attorney, Agent, or Firm* — Buchalter

(57) **CLAIM**

The ornamental design for a looping ride element, as shown and described.

**DESCRIPTION**

FIG. 1 is a perspective view of the looping ride element having features in accordance with the present invention, the broken line showing along the top edge of the design is included for the purpose of illustrating unclaimed subject matter and forms no part of the claimed design;

FIG. 2 is a left side view of the looping ride element of FIG. 1;

FIG. 3 is a right side view of the looping ride element of FIG. 1;

FIG. 4 is a front side view of the looping ride element of FIG. 1;

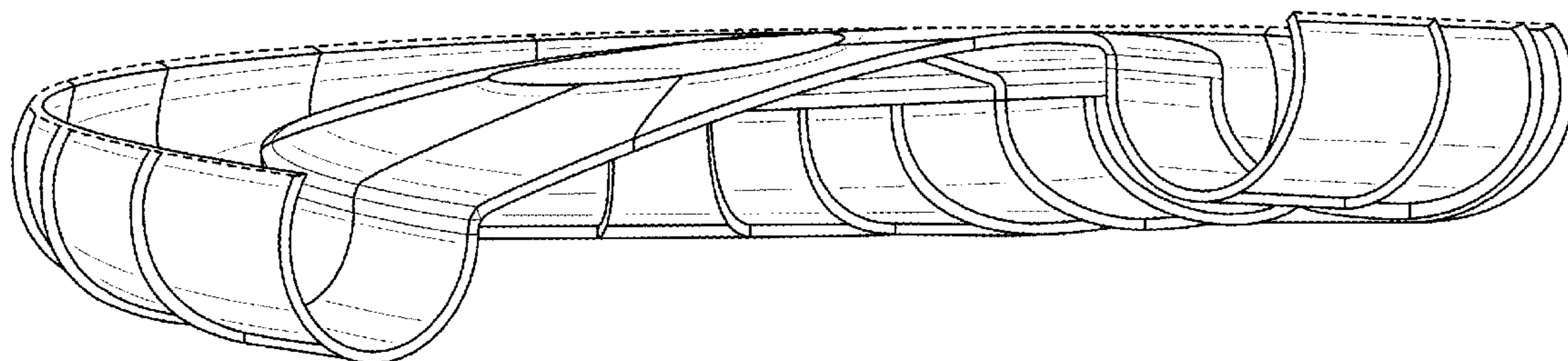
FIG. 5 is a back side view of the looping ride element of FIG. 1;

FIG. 6 is a top view of the looping ride element of FIG. 1; and,

FIG. 7 is a bottom view of the looping ride element of FIG. 1.

**1 Claim, 7 Drawing Sheets**

- (56) **References Cited**
- U.S. PATENT DOCUMENTS**
- 728,246 A 5/1903 Kremer
- 803,119 A \* 10/1905 Logan ..... A63G 21/00  
D21/821
- 920,567 A 5/1909 Hayes
- 953,266 A 3/1910 Healy
- 1,655,498 A 1/1928 Fisch
- 1,745,241 A 1/1930 Bartlett
- 2,224,948 A 12/1940 Bloomquist
- 2,254,482 A 9/1941 Heller
- D210,298 S 2/1968 Moulton
- D213,271 S \* 1/1969 Gale ..... D21/821
- D218,625 S \* 9/1970 Ahrens ..... D21/821



(56)

References Cited

U.S. PATENT DOCUMENTS

4,129,916 A 12/1978 Schlesinger et al.  
 4,172,593 A 10/1979 Palakanis  
 D253,363 S \* 11/1979 Dieter ..... D21/821  
 4,192,499 A 3/1980 Groves, Jr.  
 D256,827 S \* 9/1980 Allen, 3rd ..... D21/819  
 D256,828 S \* 9/1980 Allen, 3rd ..... D21/819  
 D256,940 S \* 9/1980 Allen, 3rd ..... D21/819  
 D257,874 S 1/1981 Sheehan et al.  
 4,278,247 A 7/1981 Joppe et al.  
 D262,230 S \* 12/1981 Ament ..... D21/820  
 4,339,122 A 7/1982 Croul  
 D266,346 S 9/1982 Millay et al.  
 D268,859 S \* 5/1983 Ament ..... D21/820  
 D269,104 S \* 5/1983 Brown ..... D21/819  
 D269,105 S \* 5/1983 Brown ..... D21/819  
 D269,106 S \* 5/1983 Brown ..... D21/819  
 D269,107 S \* 5/1983 Brown ..... D21/819  
 4,394,173 A \* 7/1983 Aste ..... A63G 21/06  
 104/124  
 4,444,290 A 4/1984 Valerio, Jr.  
 4,484,739 A 11/1984 Kreinbuhl et al.  
 4,652,199 A 3/1987 Pole  
 4,738,590 A 4/1988 Butler  
 4,750,733 A 6/1988 Foth  
 4,805,896 A 2/1989 Moody  
 4,805,897 A 2/1989 Dubeta  
 4,836,521 A 6/1989 Barber  
 4,893,447 A 1/1990 Opp et al.  
 5,137,497 A 8/1992 Dubeta  
 5,171,101 A 12/1992 Sauerbier et al.  
 D335,517 S \* 5/1993 Vatterot ..... D21/821  
 5,236,280 A 8/1993 Lochtefeld  
 5,271,592 A 12/1993 Lochtefeld  
 D344,317 S \* 2/1994 Petersheim ..... D21/821  
 5,393,170 A 2/1995 Lochtefeld  
 5,401,117 A 3/1995 Lochtefeld  
 5,421,782 A 6/1995 Lochtefeld  
 5,433,671 A 7/1995 Davis  
 5,453,054 A 9/1995 Langford  
 5,482,510 A 1/1996 Ishii et al.  
 5,528,584 A 6/1996 Grant et al.  
 5,540,622 A 7/1996 Gold et al.  
 5,564,859 A 10/1996 Lochtefeld  
 5,735,748 A 4/1998 Meyers et al.  
 5,738,590 A 4/1998 Lochtefeld  
 5,756,082 A 6/1998 Lochtefeld et al.  
 5,779,553 A 7/1998 Langford  
 5,899,633 A 5/1999 Lochtefeld  
 6,132,317 A 10/2000 Lochtefeld  
 6,319,137 B1 11/2001 Lochtefeld  
 6,354,955 B1 \* 3/2002 Stuart ..... A63G 21/18  
 104/70  
 6,357,964 B1 3/2002 DeGarie  
 6,450,891 B1 9/2002 Dubeta  
 6,485,372 B2 11/2002 Stuart et al.  
 6,491,589 B1 12/2002 Lochtefeld  
 6,527,646 B1 \* 3/2003 Briggs ..... A63G 21/18  
 104/69  
 6,716,107 B2 4/2004 Lochtefeld  
 6,743,107 B2 6/2004 Dubeta  
 6,743,108 B2 \* 6/2004 Hunter ..... A63G 21/18  
 104/69  
 6,857,964 B2 2/2005 Hunter  
 7,008,329 B2 3/2006 Hunter  
 D521,098 S \* 5/2006 Hunter ..... A63G 31/007  
 D21/819

7,056,220 B2 6/2006 Hunter  
 D548,810 S \* 8/2007 Hunter ..... D21/821  
 D567,322 S \* 4/2008 Hunter ..... D21/821  
 D573,222 S \* 7/2008 Huerta ..... D21/821  
 D577,408 S \* 9/2008 Ketcherside ..... D21/821  
 D583,895 S \* 12/2008 Hlynka ..... D21/821  
 7,713,134 B2 \* 5/2010 Hunter ..... A63G 21/02  
 472/117  
 7,731,595 B2 \* 6/2010 Hlynka ..... A63G 21/18  
 472/117  
 D619,186 S \* 7/2010 Strall ..... D21/818  
 7,762,900 B2 \* 7/2010 Henry ..... A63G 21/18  
 472/117  
 7,775,850 B2 \* 8/2010 Todokoro ..... A63H 23/10  
 446/156  
 7,780,537 B2 \* 8/2010 Hlynka ..... A63G 21/18  
 472/117  
 7,887,426 B2 \* 2/2011 Hlynka ..... A63G 21/18  
 104/70  
 7,967,692 B2 \* 6/2011 Werner ..... A63G 21/18  
 434/44  
 D650,463 S \* 12/2011 Degirmenci ..... D21/819  
 8,192,291 B2 \* 6/2012 Brassard ..... A63G 21/18  
 104/69  
 8,197,353 B2 \* 6/2012 Brassard ..... A63G 21/18  
 104/69  
 8,226,492 B2 7/2012 Hunter  
 8,262,494 B2 9/2012 Hunter  
 8,360,894 B2 \* 1/2013 Hlynka ..... A63G 31/007  
 472/117  
 8,360,895 B2 \* 1/2013 Brown ..... A63G 21/18  
 472/116  
 8,430,760 B2 \* 4/2013 Brassard ..... A63G 21/18  
 472/117  
 8,579,715 B2 \* 11/2013 Olive ..... A63G 21/18  
 472/116  
 8,608,581 B2 12/2013 Hunter  
 D697,159 S \* 1/2014 Altindag ..... D21/819  
 D697,571 S \* 1/2014 Altindag ..... D21/819  
 D705,381 S \* 5/2014 Brassard ..... D21/821  
 D705,882 S \* 5/2014 Brassard ..... D21/821  
 D705,883 S \* 5/2014 Brassard ..... D21/821  
 D706,892 S \* 6/2014 Altindag ..... D21/819  
 9,079,111 B2 \* 7/2015 Hunter ..... A63G 21/18  
 D771,213 S \* 11/2016 Ozturk ..... D21/821  
 D779,010 S \* 2/2017 Ozturk ..... D21/821  
 2005/0047869 A1 3/2005 Lochtefeld  
 2005/0075180 A1 4/2005 Dubeta  
 2006/0194638 A1 8/2006 Hunter  
 2008/0153610 A1 6/2008 Braun et al.  
 2009/0062025 A1 3/2009 Hlynka  
 2009/0221377 A1 9/2009 Hlynka  
 2013/0184087 A1 \* 7/2013 Degirmenci ..... A63G 21/04  
 472/117  
 2015/0314203 A1 11/2015 Hunter  
 2017/0106295 A1 \* 4/2017 Hunter ..... A63G 21/18

FOREIGN PATENT DOCUMENTS

CA 2639347 2/2009  
 CA 2656749 8/2009  
 CN 101417179 A 4/2009  
 EP 2498884 B1 5/2011  
 GB 2224948 A 5/1990  
 WO 0124899 A1 4/2001  
 WO 1057395 A1 5/2011

\* cited by examiner

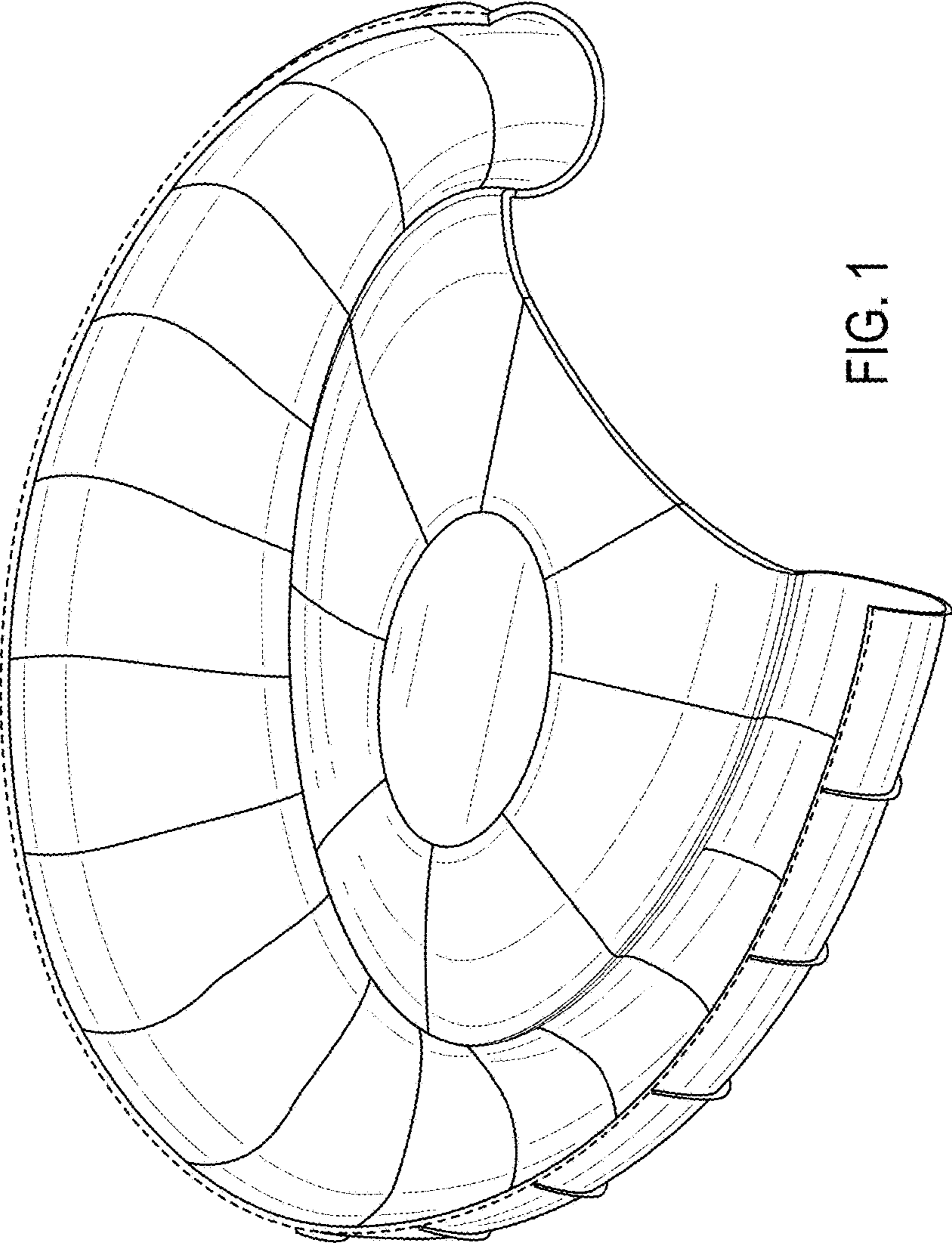


FIG. 1

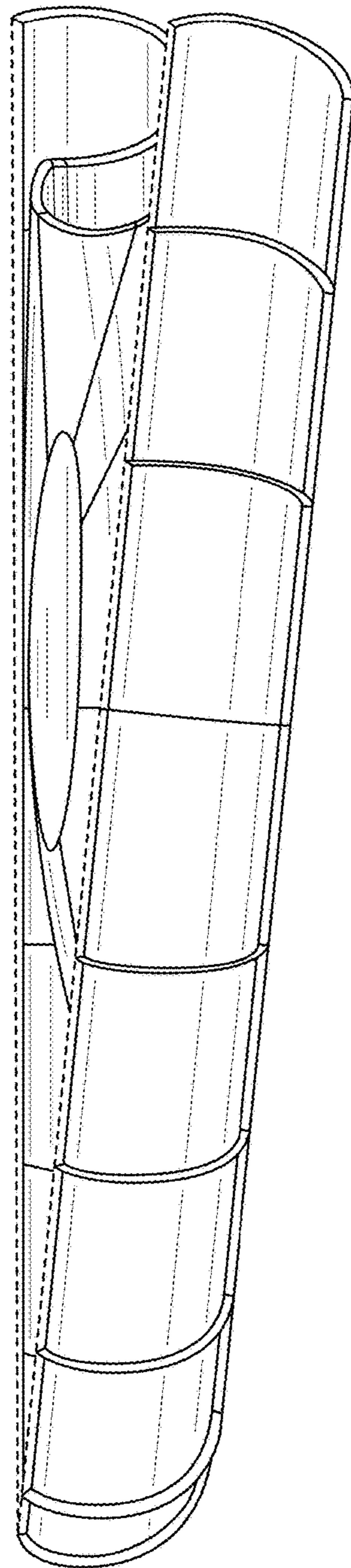


FIG. 2

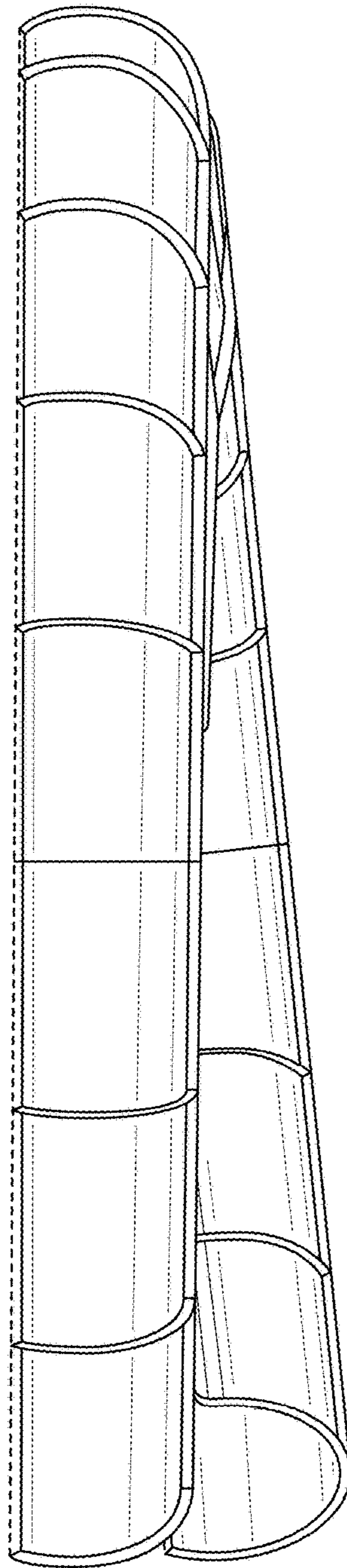


FIG. 3

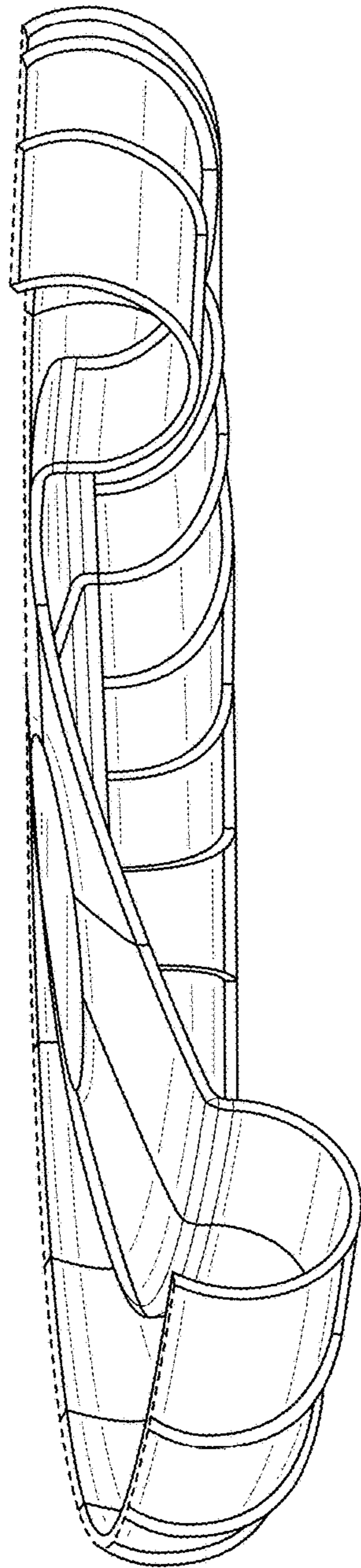


FIG. 4

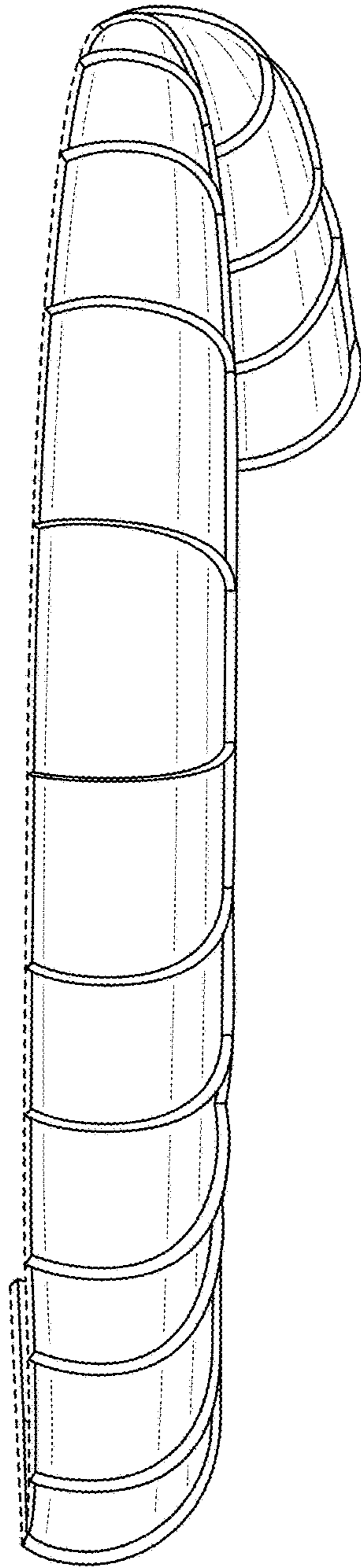


FIG. 5

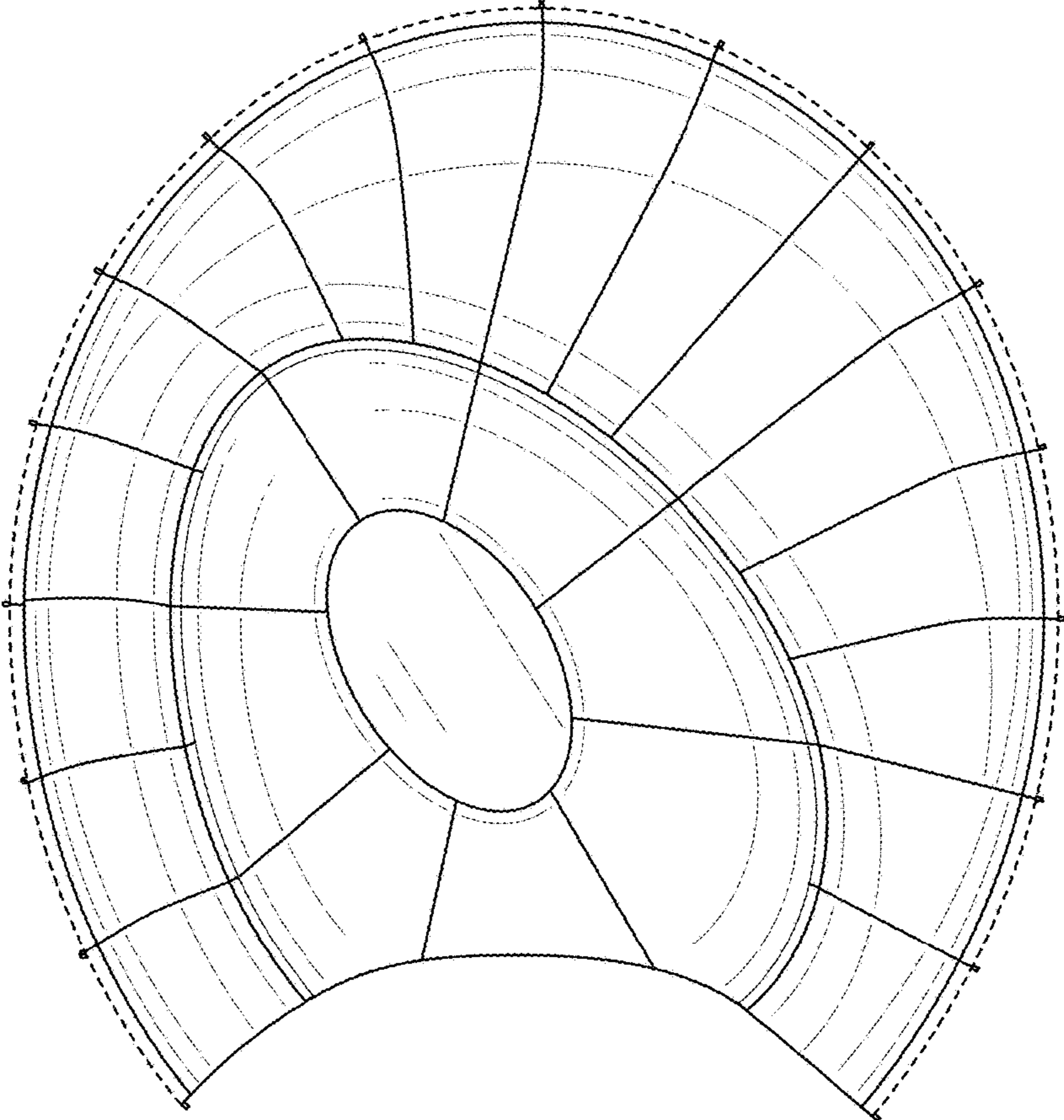


FIG. 6



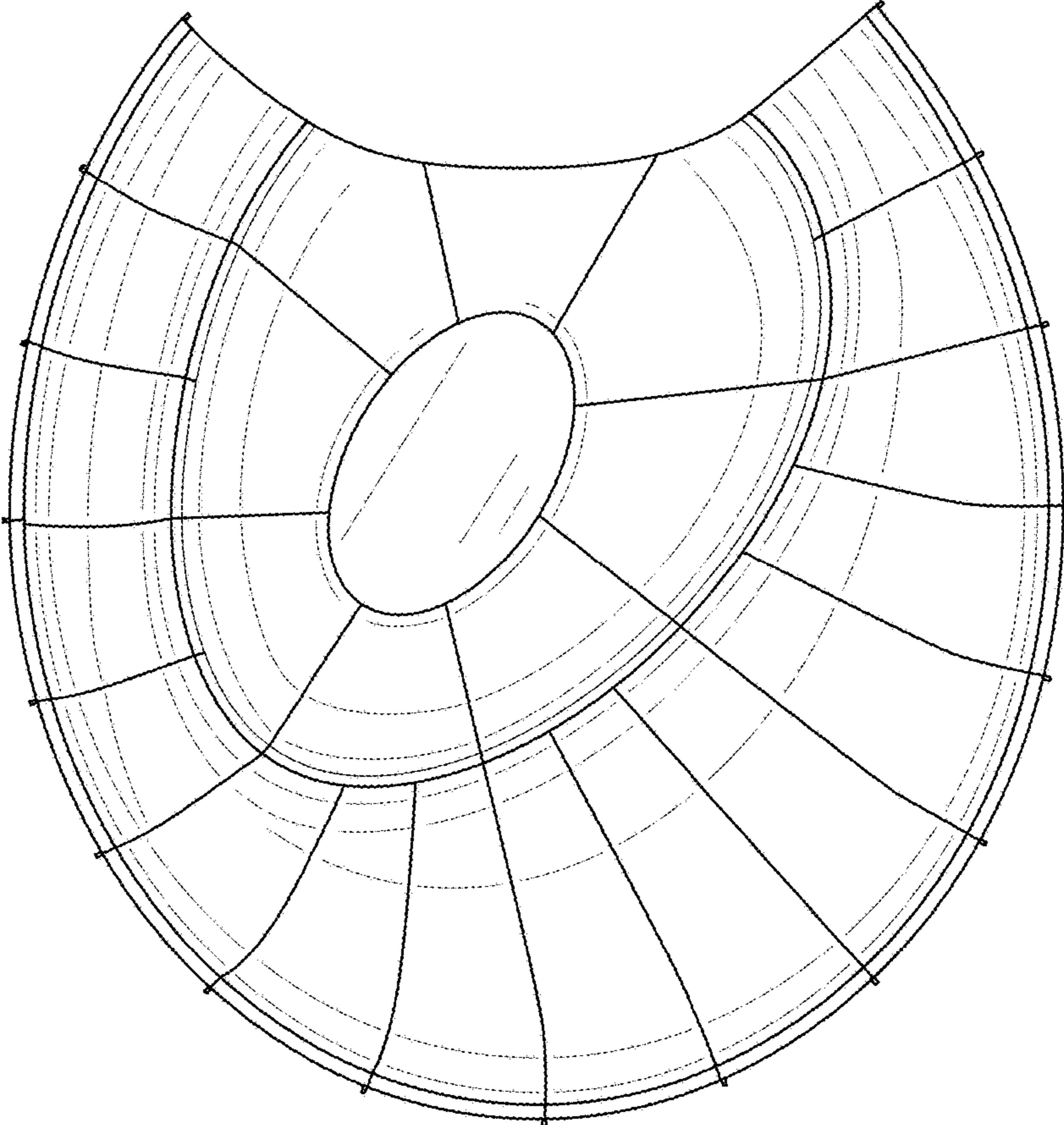


FIG. 7