



US00D855135S

(12) **United States Design Patent** (10) **Patent No.:** **US D855,135 S**
Kang et al. (45) **Date of Patent:** **** Jul. 30, 2019**

(54) **DIVOT TOOL**

(71) Applicants: **Brian Kang**, Los Angeles, CA (US);
Daniel Kang, Los Angeles, CA (US)

(72) Inventors: **Brian Kang**, Los Angeles, CA (US);
Daniel Kang, Los Angeles, CA (US)

(**) Term: **15 Years**

(21) Appl. No.: **29/638,940**

(22) Filed: **Mar. 2, 2018**

(51) **LOC (11) Cl.** **21-02**

(52) **U.S. Cl.**
USPC **D21/793**

(58) **Field of Classification Search**
USPC D21/789, 793, 794
CPC A63B 57/00; A63B 57/50; A63B 57/12;
A63B 57/16; A63B 57/20; A63B 57/30;
A63B 57/35

See application file for complete search history.

(56) **References Cited**

U.S. PATENT DOCUMENTS

3,763,515	A	*	10/1973	Voss	A63B 57/50
						15/105
D247,452	S	*	3/1978	Kitay	D10/70
D399,597	S	*	10/1998	Craven	D27/183
D401,379	S	*	11/1998	Goldoftas	D27/183
D419,631	S	*	1/2000	Fazekas	D21/793
D424,151	S	*	5/2000	Miura	D21/793
D471,612	S	*	3/2003	Chandler	D21/793
D513,632	S	*	1/2006	Sokolowski	D21/793
D534,982	S	*	1/2007	Miller	D21/793
D567,319	S	*	4/2008	Beard	D21/793
D616,953	S	*	6/2010	Shinki	D21/794
D622,799	S	*	8/2010	Cameron	A63B 59/50
						D21/794
D661,761	S	*	6/2012	Cameron	D21/794
D669,551	S	*	10/2012	Perez	D21/794
D719,232	S	*	12/2014	Wallander	D21/793
D792,541	S	*	7/2017	Beard	D21/793

D826,354	S	*	8/2018	Kragerud	D21/793
D826,355	S	*	8/2018	Kenny	D21/793
D828,886	S	*	9/2018	Fallon	D21/793
D828,887	S	*	9/2018	Kenny	D21/793
D834,124	S	*	11/2018	Zwart	D21/793

OTHER PUBLICATIONS

2018; <https://www.amazon.com/Birdicorn-6-Golf-Divot-Tool-x/dp/B07693MNKD#customerReviews>.*

* cited by examiner

Primary Examiner — Mitchell I. Siegel

(57) **CLAIM**

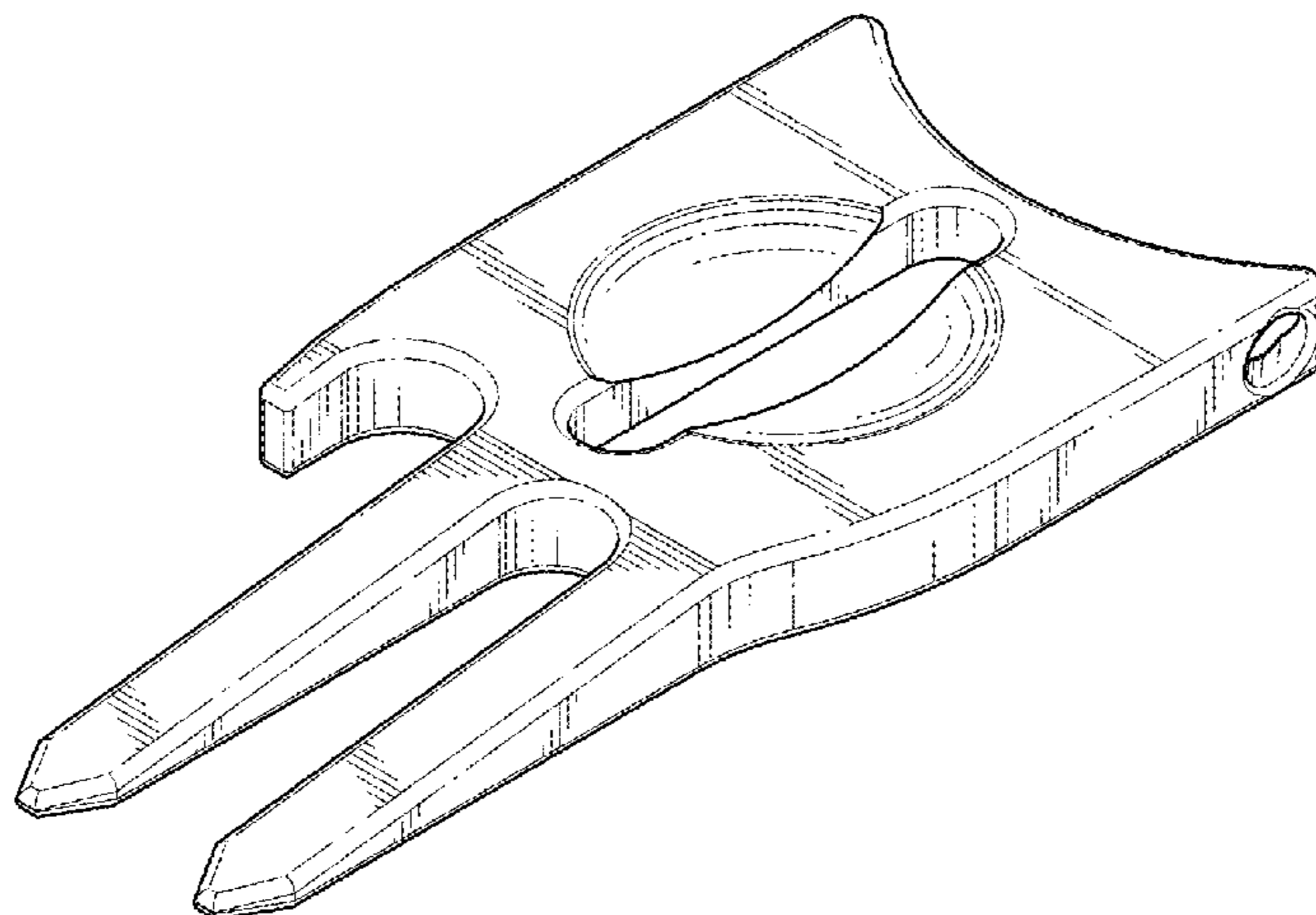
The ornamental design for a divot tool, as shown and described.

DESCRIPTION

FIG. 1 is a top perspective view of a first embodiment of the divot tool showing our new design;
 FIG. 2 is a bottom perspective view thereof;
 FIG. 3 is a top view thereof;
 FIG. 4 is a bottom view thereof;
 FIG. 5 is a right side view thereof;
 FIG. 6 is a left side view thereof;
 FIG. 7 is a front view thereof;
 FIG. 8 is a rear view thereof;
 FIG. 9 is a top perspective view of a second embodiment of the divot tool showing our new design;
 FIG. 10 is a bottom perspective view thereof;
 FIG. 11 is a top view thereof;
 FIG. 12 is a bottom view thereof;
 FIG. 13 is a right side view thereof;
 FIG. 14 is a left side view thereof;
 FIG. 15 is a front view thereof; and,
 FIG. 16 is a rear view thereof.

The broken lines in the FIGURES illustrate the portions of the divot tool which form no part of the claimed design.

1 Claim, 6 Drawing Sheets



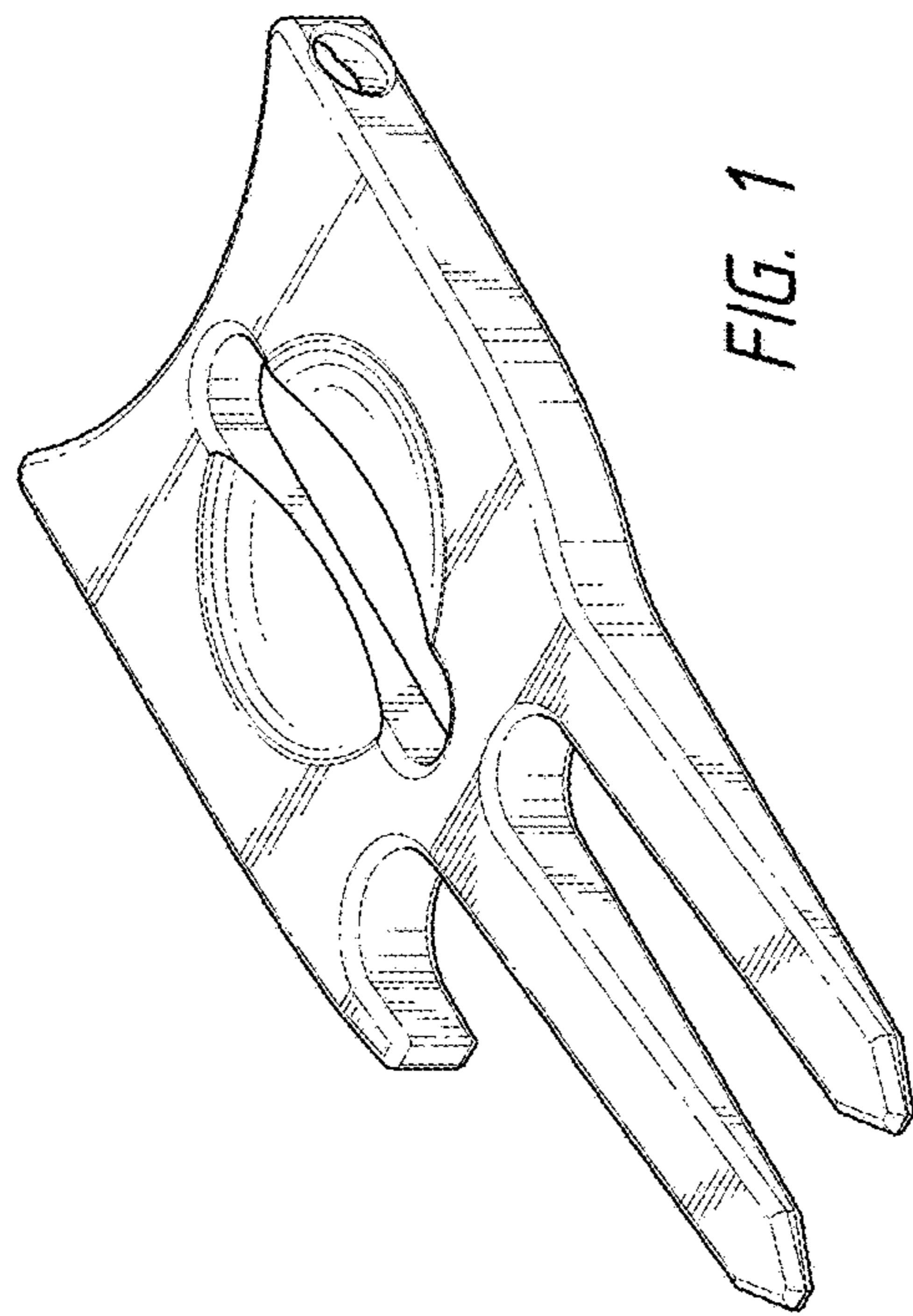


FIG. 1

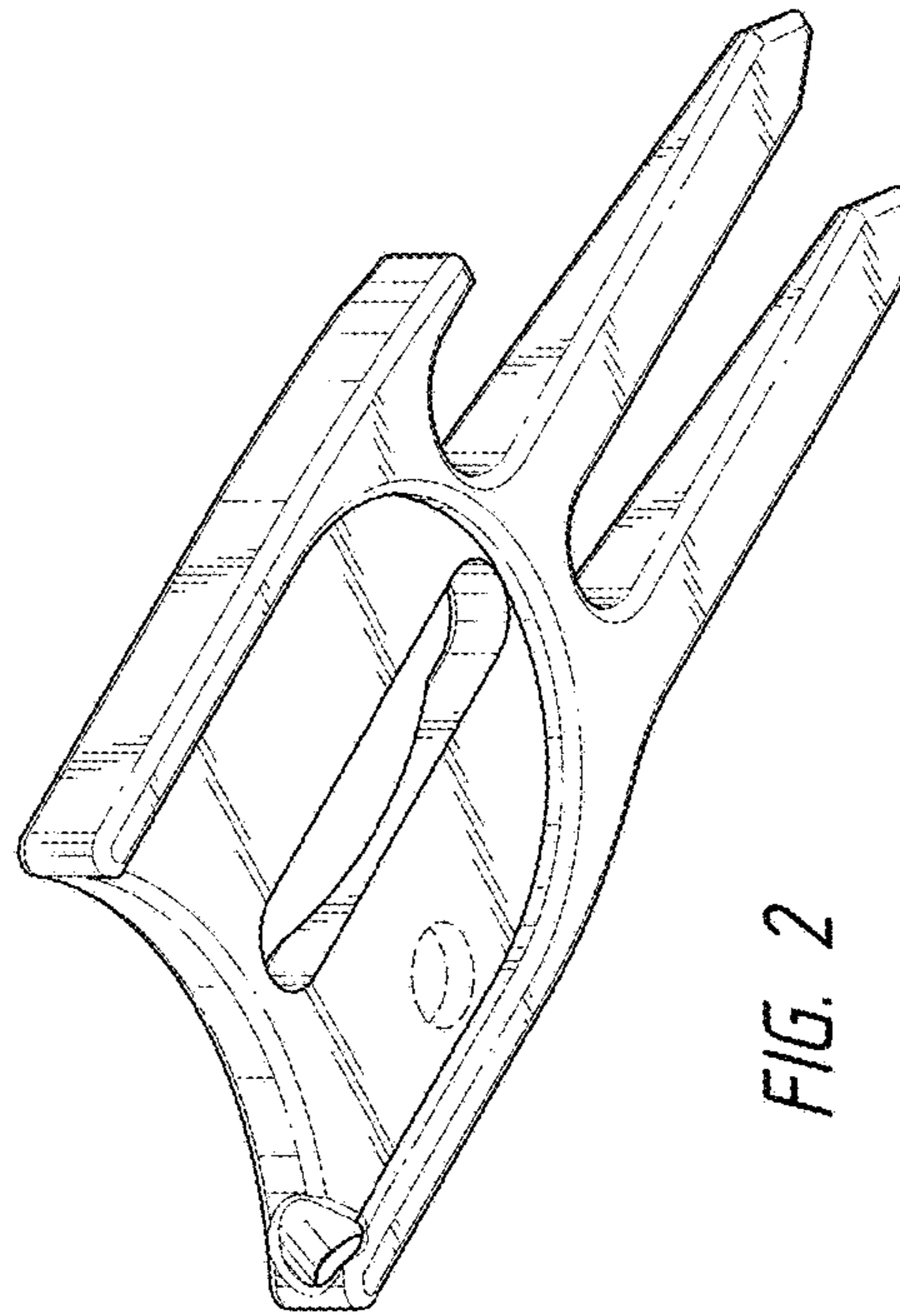


FIG. 2

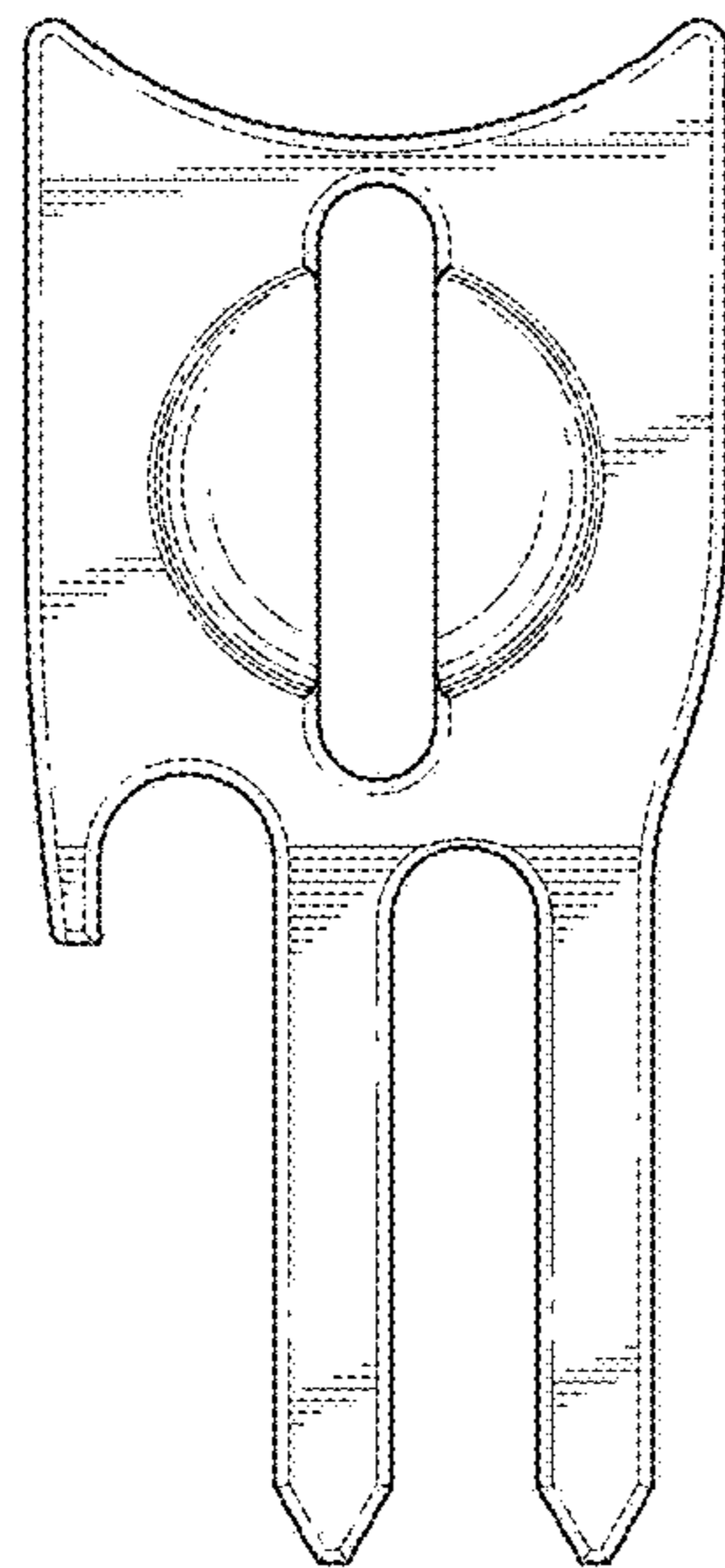


FIG. 3

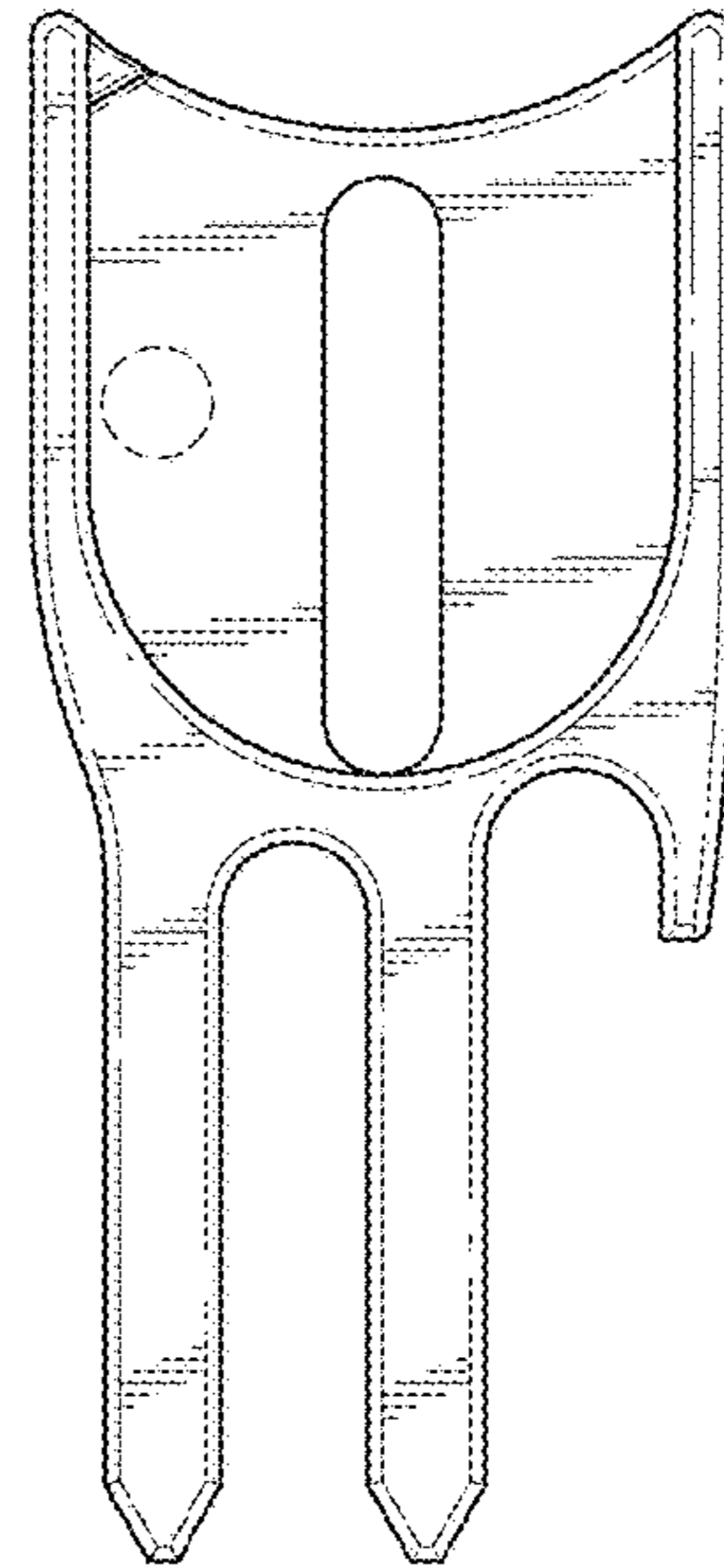


FIG. 4



FIG. 7

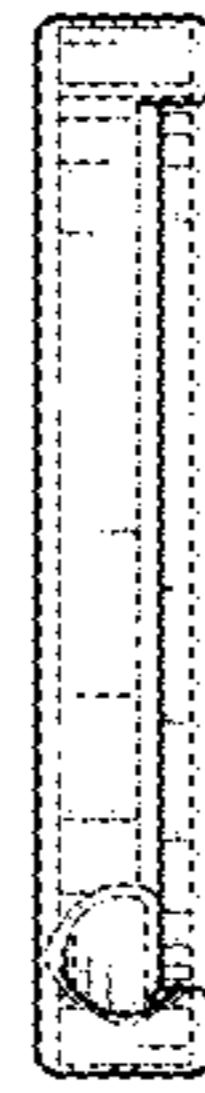


FIG. 8

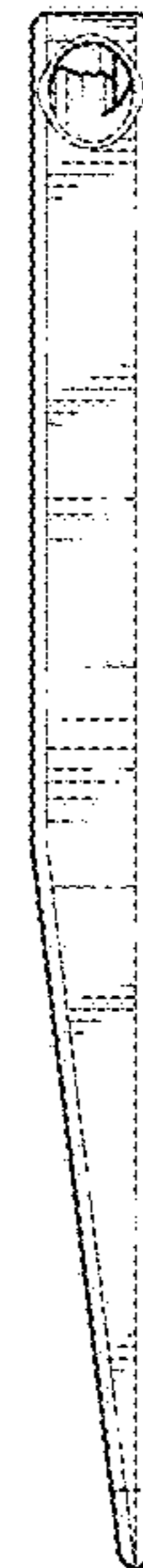


FIG. 5

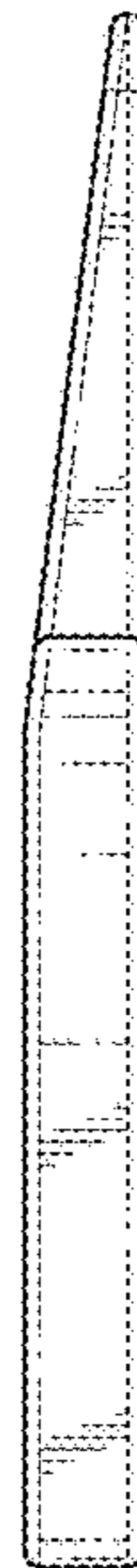


FIG. 6

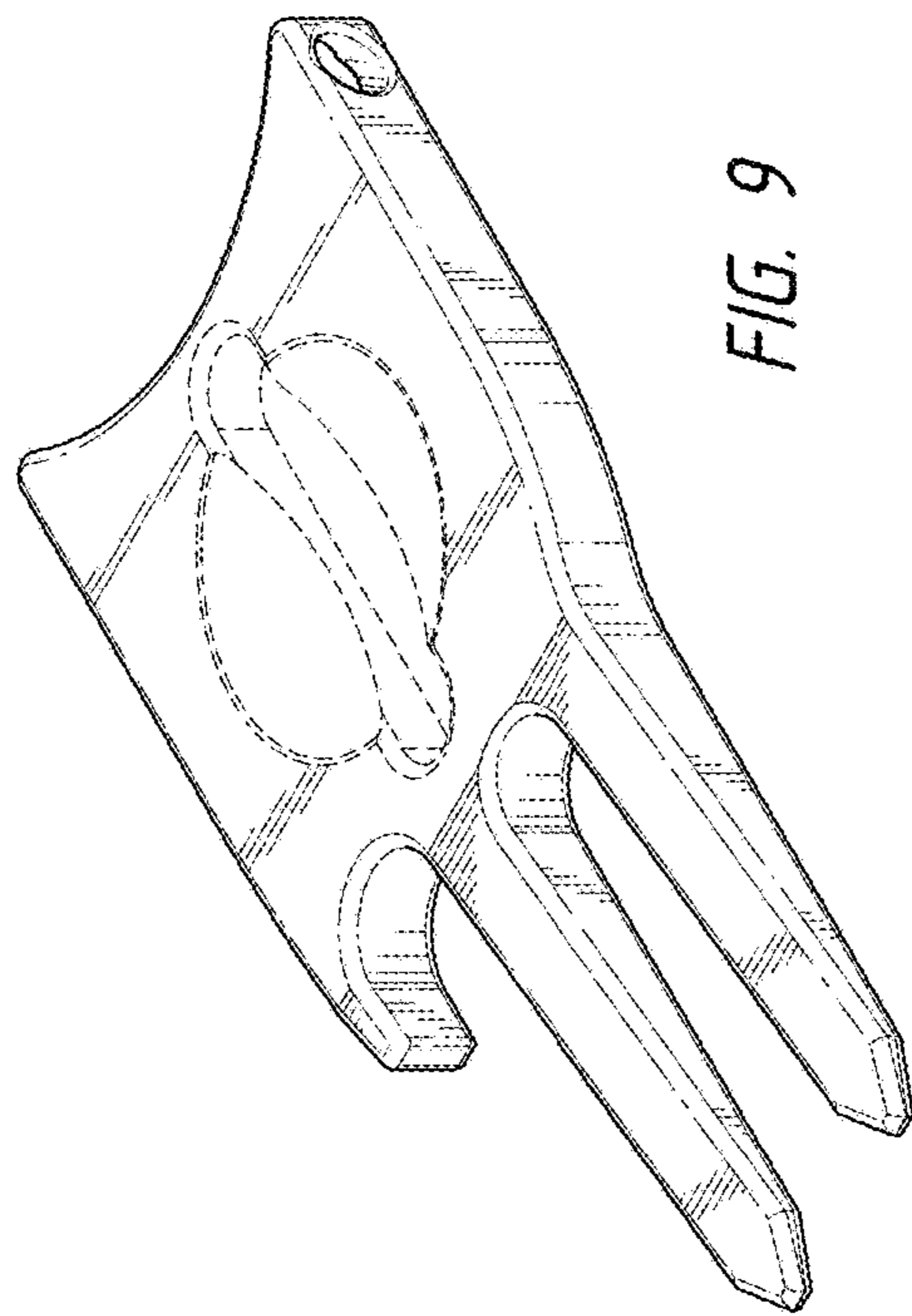


FIG. 9

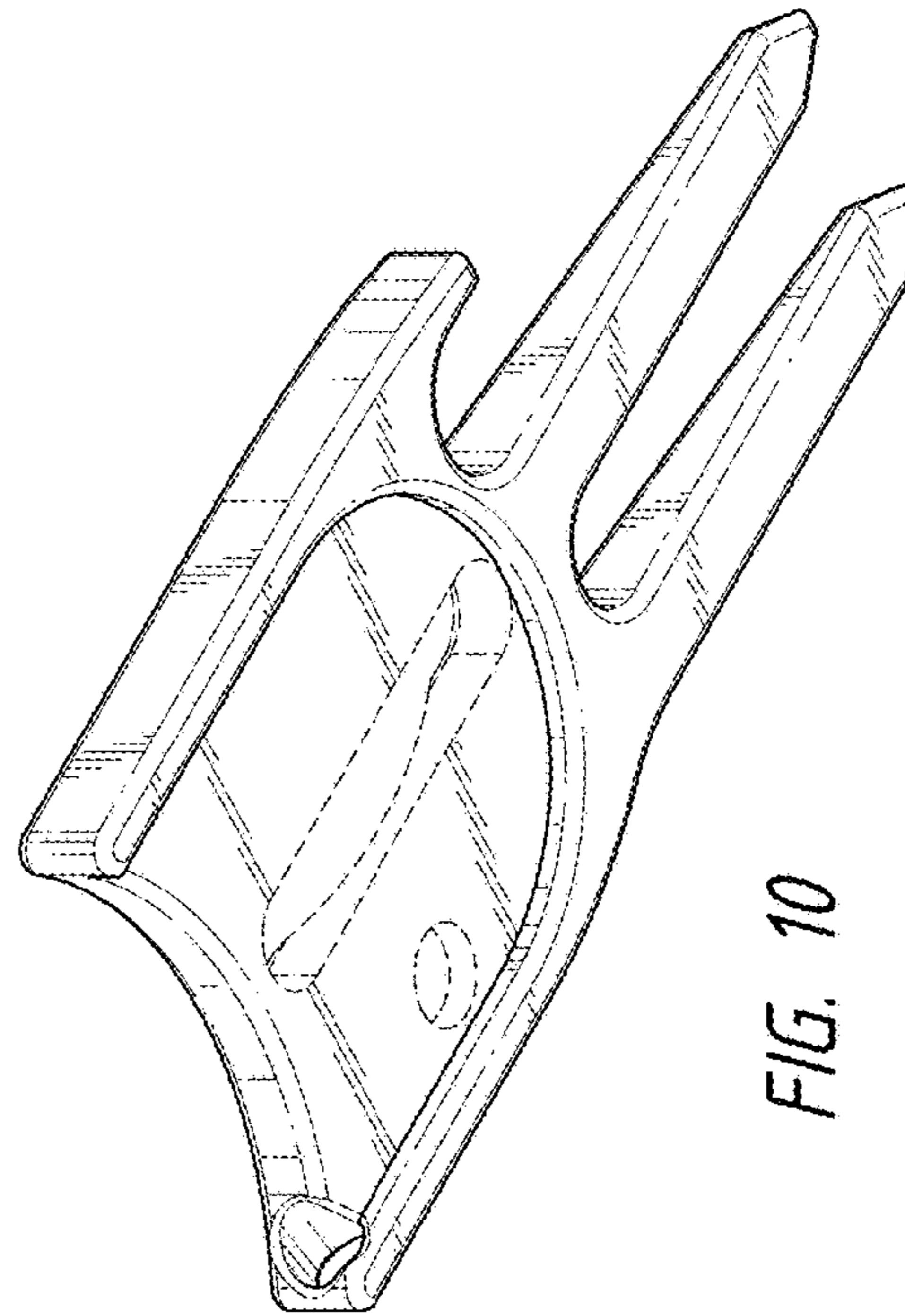


FIG. 10

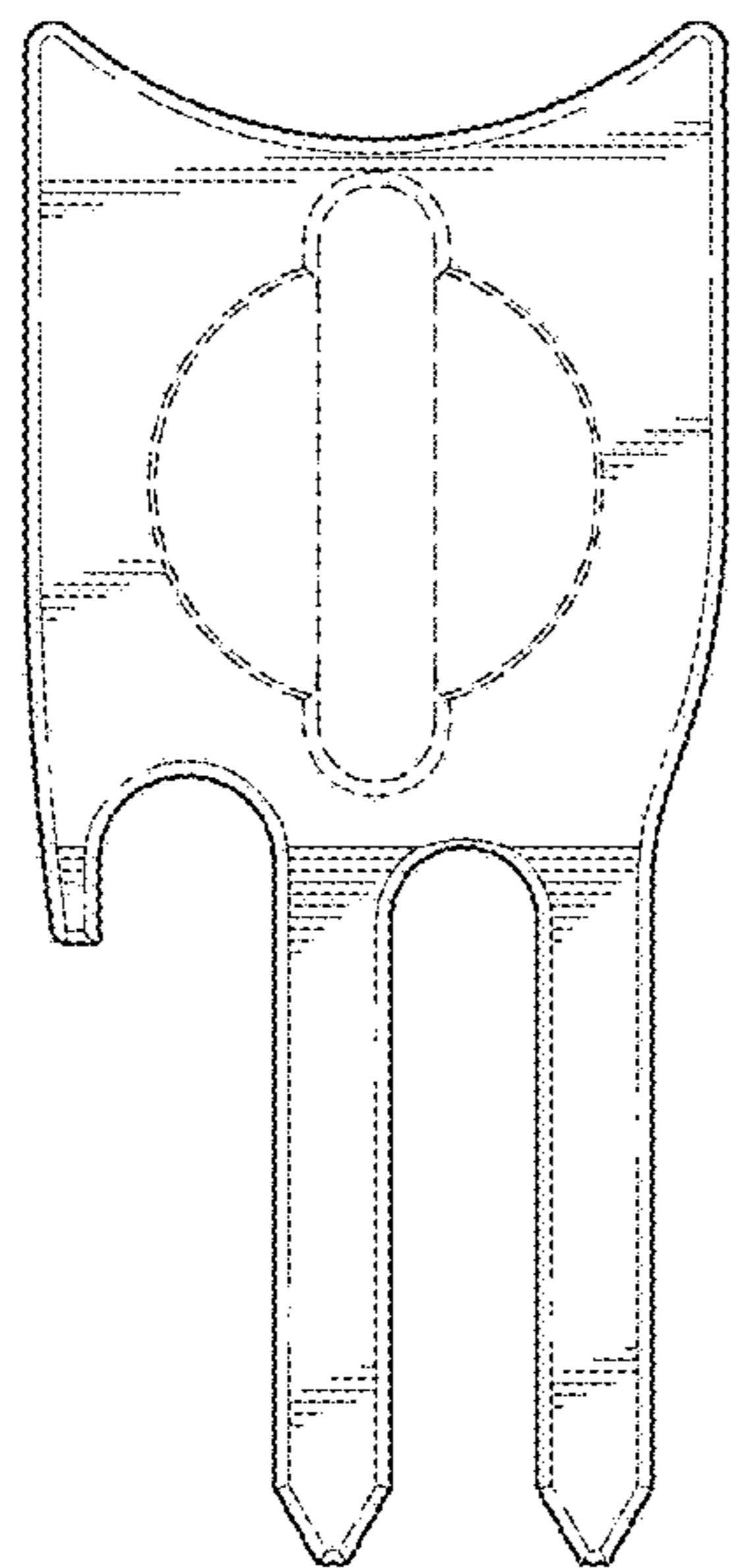


FIG. 11

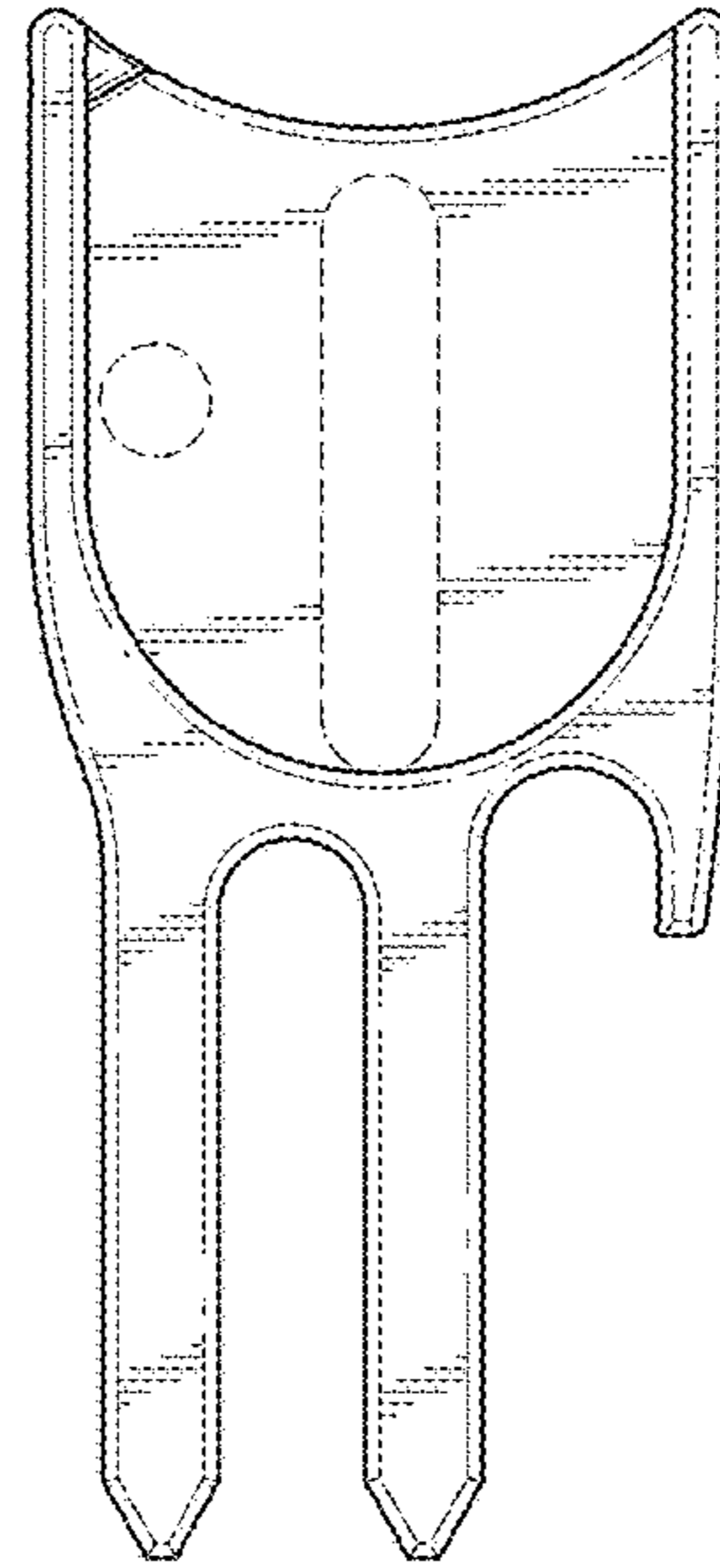


FIG. 12



FIG. 15

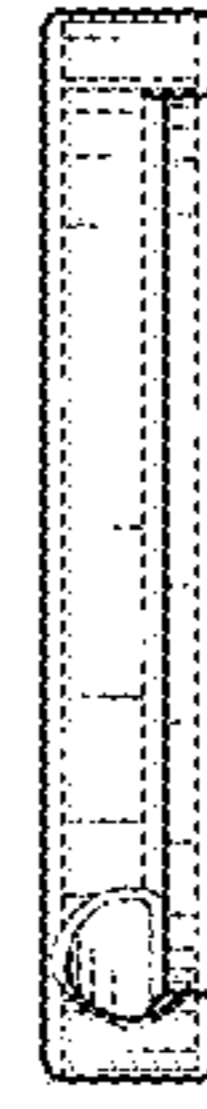


FIG. 16



FIG. 13



FIG. 14