



US00D855133S

(12) **United States Design Patent** (10) **Patent No.:** **US D855,133 S**
Frénée (45) **Date of Patent:** **** Jul. 30, 2019**

(54) **SNOWSHOE**

(56) **References Cited**

(71) Applicant: **Jean-Marc Frénée**, Domene (FR)

U.S. PATENT DOCUMENTS

(72) Inventor: **Jean-Marc Frénée**, Domene (FR)

D424,644 S *	5/2000	Kiniry	D21/768
D544,940 S *	6/2007	Gobbi	D21/768
D605,244 S *	12/2009	Herkner	D21/768
D649,212 S *	11/2011	Geiger	D21/760
8,474,158 B2 *	7/2013	Samuels	A43C 15/068
			36/123
9,308,434 B2 *	4/2016	Ostor	A63C 13/001
D761,083 S *	7/2016	Gobbi	A63C 13/003
			D8/354
9,393,482 B2 *	7/2016	Johnston	A63C 13/003
9,814,961 B2 *	11/2017	Kim	A43B 5/18
9,918,518 B2 *	3/2018	Chouinard	A43B 5/08
9,936,769 B2 *	4/2018	Girard	A43B 3/16

(**) Term: **15 Years**

(21) Appl. No.: **35/503,885**

(22) Filed: **Apr. 21, 2017**

(80) **Hague Agreement Data**

Int. Filing Date: **Apr. 21, 2017**
 Int. Reg. No.: **DM/096550**
 Int. Reg. Date: **Apr. 21, 2017**
 Int. Reg. Pub. Date: **Oct. 27, 2017**

* cited by examiner

Primary Examiner — George D. Kirschbaum

Assistant Examiner — Joseph J Kukella

(30) **Foreign Application Priority Data**

Dec. 8, 2016 (EM) 003508019

(51) **LOC (11) Cl.** **21-02**

(52) **U.S. Cl.**
USPC **D21/768**

(58) **Field of Classification Search**

USPC D21/698, 760, 768; D2/896, 902, 904,
 D2/905, 906, 909, 915, 947, 962, 976
 CPC .. A43B 5/00; A43B 5/002; A43B 5/04; A43B
 5/18; A43B 5/185; A43B 13/10; A43C
 15/00; A43C 15/02; A43C 15/04; A43C
 15/06; A43C 15/061; A43C 15/063; A43C
 15/065; A43C 15/066; A43C 15/068

See application file for complete search history.

(57) **CLAIM**

The ornamental design for a snowshoe, as shown and described.

DESCRIPTION

1. Snowshoe

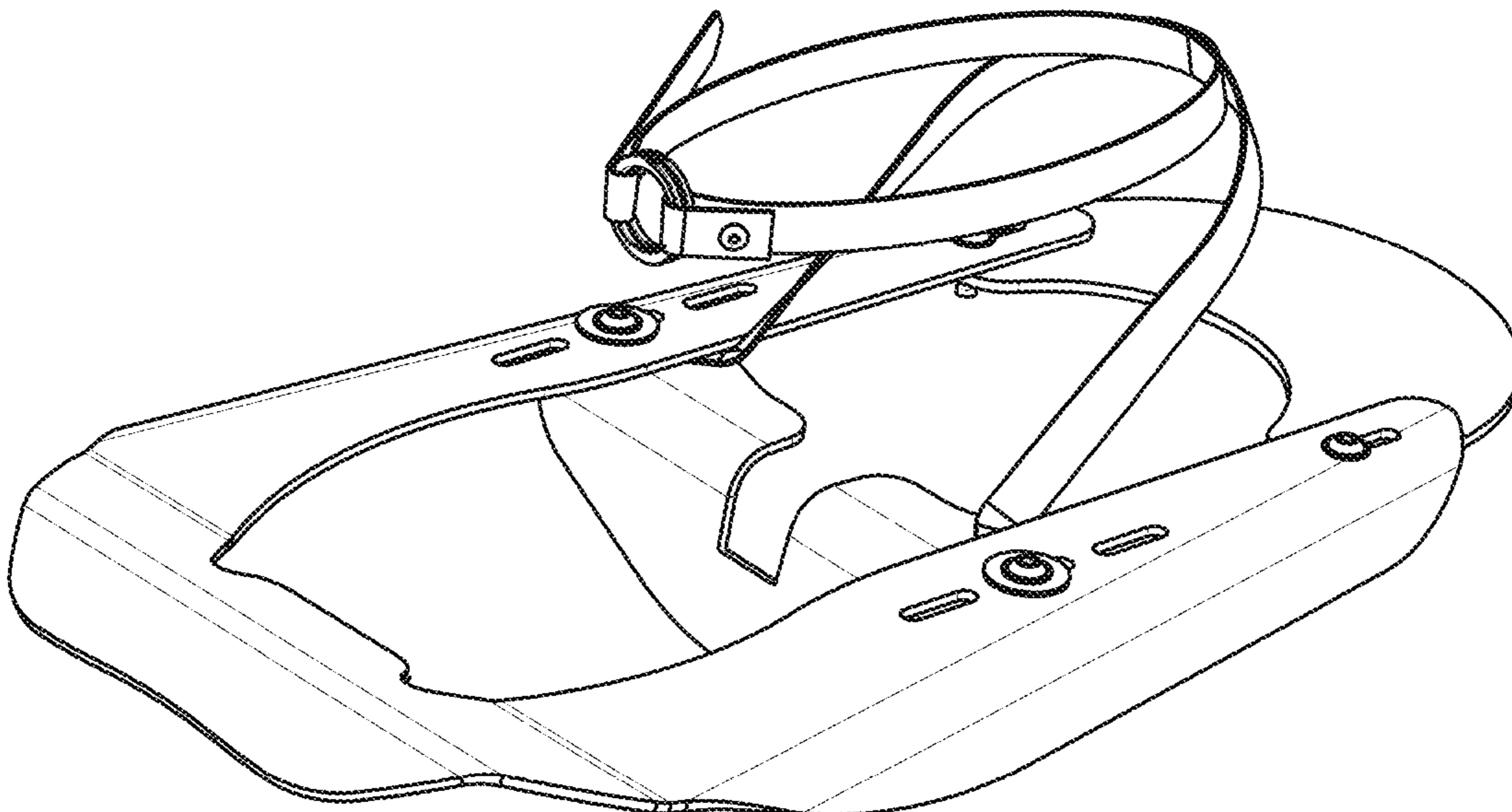
1.1 : Top

1.2 : Exploded

1.3 : Front

Snowshoe adapted for mounting on a shoe equipped with an ice spike device comprising a plate in the form of a horse-shoe which can block the relative displacements of the plate with respect to the shoe.

1 Claim, 3 Drawing Sheets



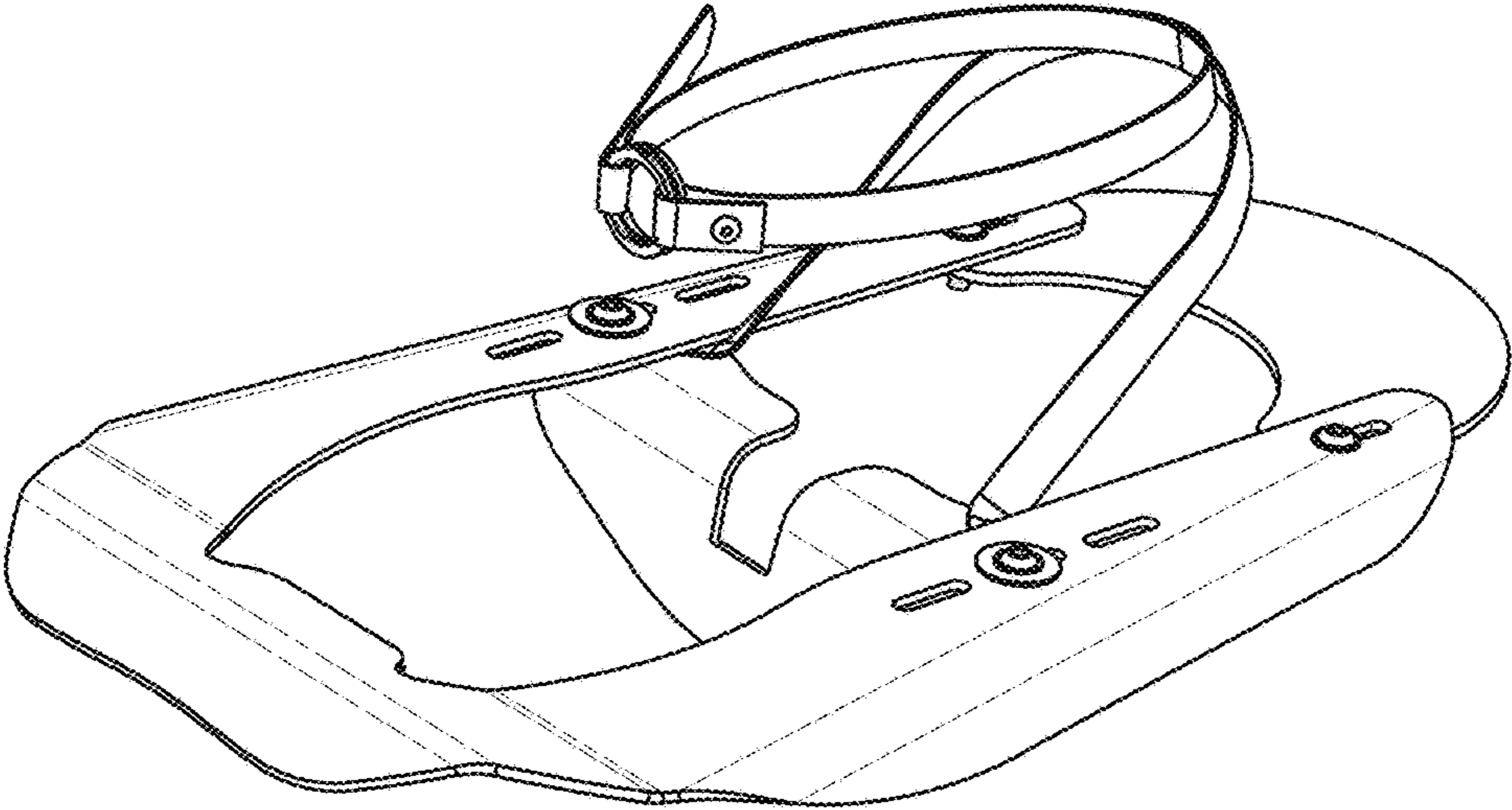


FIG. 1.1

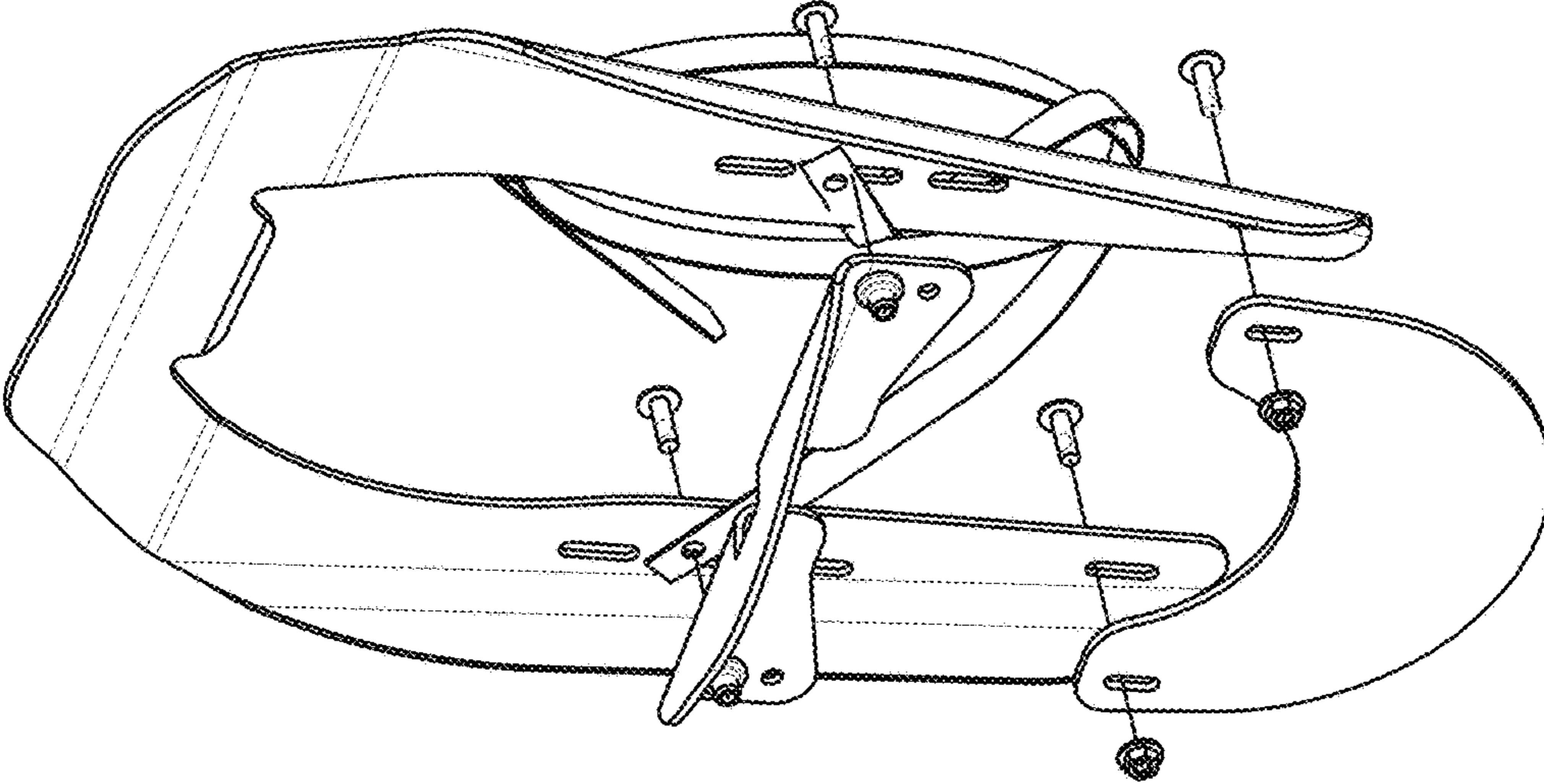


FIG.1.2

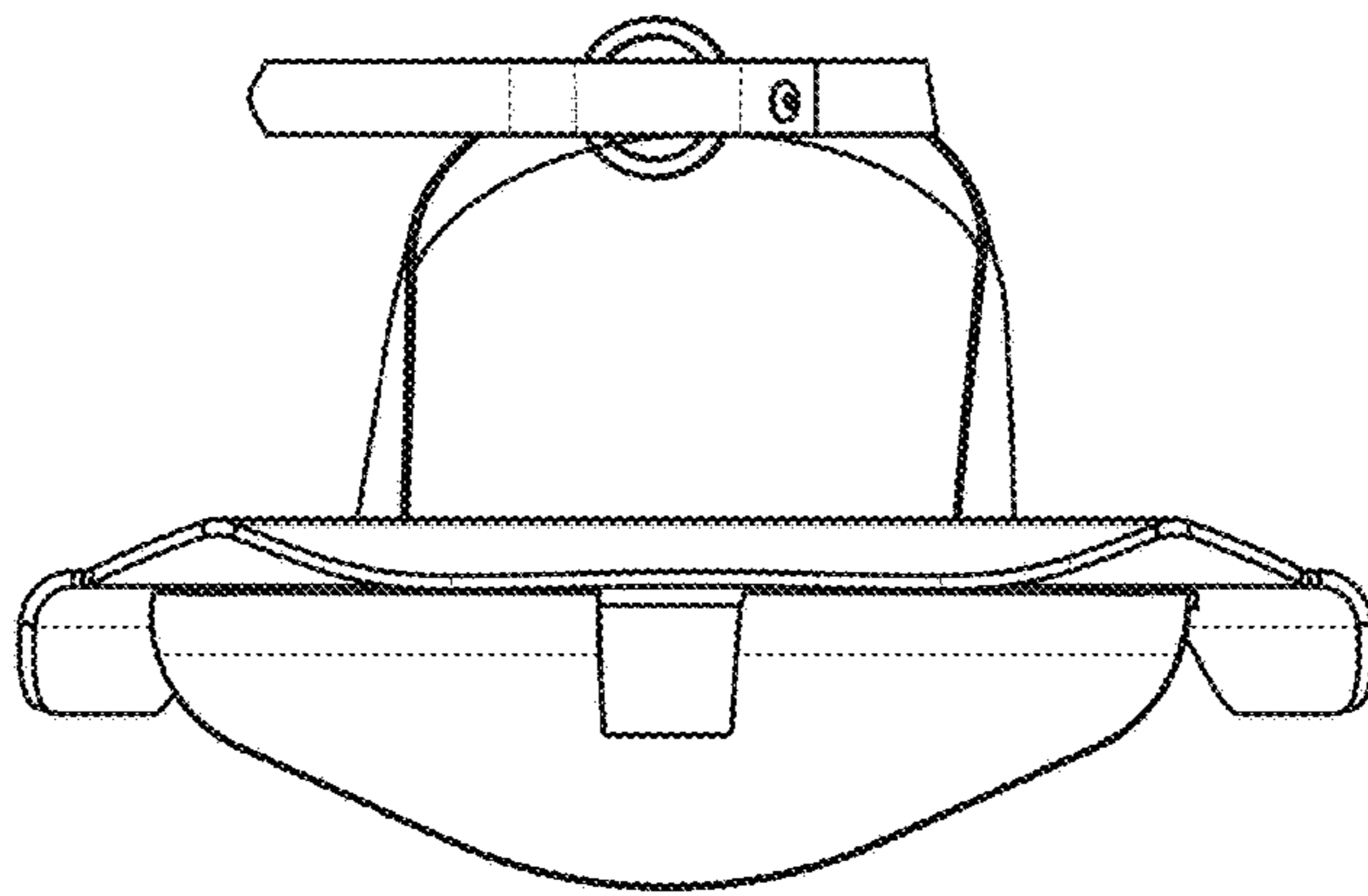


FIG.1.3