

US00D855132S

(12) **United States Design Patent**
Schweigert

(10) **Patent No.:** **US D855,132 S**

(45) **Date of Patent:** **** Jul. 30, 2019**

(54) **GOLF CLUB HEAD**

(71) Applicant: **PARSONS XTREME GOLF, LLC**,
Scottsdale, AZ (US)

(72) Inventor: **Bradley D. Schweigert**, Anthem, AZ
(US)

(73) Assignee: **Parsons Xtreme Golf, LLC**,
Scottsdale, AZ (US)

(**) Term: **15 Years**

(21) Appl. No.: **29/638,897**

(22) Filed: **Mar. 1, 2018**

Related U.S. Application Data

(60) Division of application No. 29/588,601, filed on Dec. 21, 2016, now Pat. No. Des. 815,703, which is a continuation-in-part of application No. 29/584,154, filed on Nov. 11, 2016, now abandoned.

(51) **LOC (11) Cl.** **21-02**

(52) **U.S. Cl.**
USPC **D21/759**

(58) **Field of Classification Search**
USPC D21/736-746, 759
CPC A63B 53/00; A63B 53/04; A63B 53/007;
A63B 53/065; A63B 53/0487; A63B
60/00; A63B 60/46
See application file for complete search history.

(56) **References Cited**

U.S. PATENT DOCUMENTS

922,444 A	5/1909	Youds
RE19,178 E	5/1934	Spiker
4,043,562 A	6/1977	Shillington
4,754,977 A	7/1988	Sahm
4,869,507 A	9/1989	Sahm
D335,317 S	5/1993	Shearer

D335,692 S	5/1993	Antonious
D336,757 S	6/1993	Antonious
D350,582 S	9/1994	Miansian et al.
5,429,366 A	7/1995	McCabe
D363,101 S	10/1995	Sturm
D365,864 S	1/1996	Sturm
5,489,097 A	2/1996	Simmons

(Continued)

FOREIGN PATENT DOCUMENTS

JP 2005/160691 A 6/2005

OTHER PUBLICATIONS

U.S. Appl. No. 29/523,587, Schweigert, "Golf Club Head," filed Apr. 10, 2015.

(Continued)

Primary Examiner — Mitchell I. Siegel

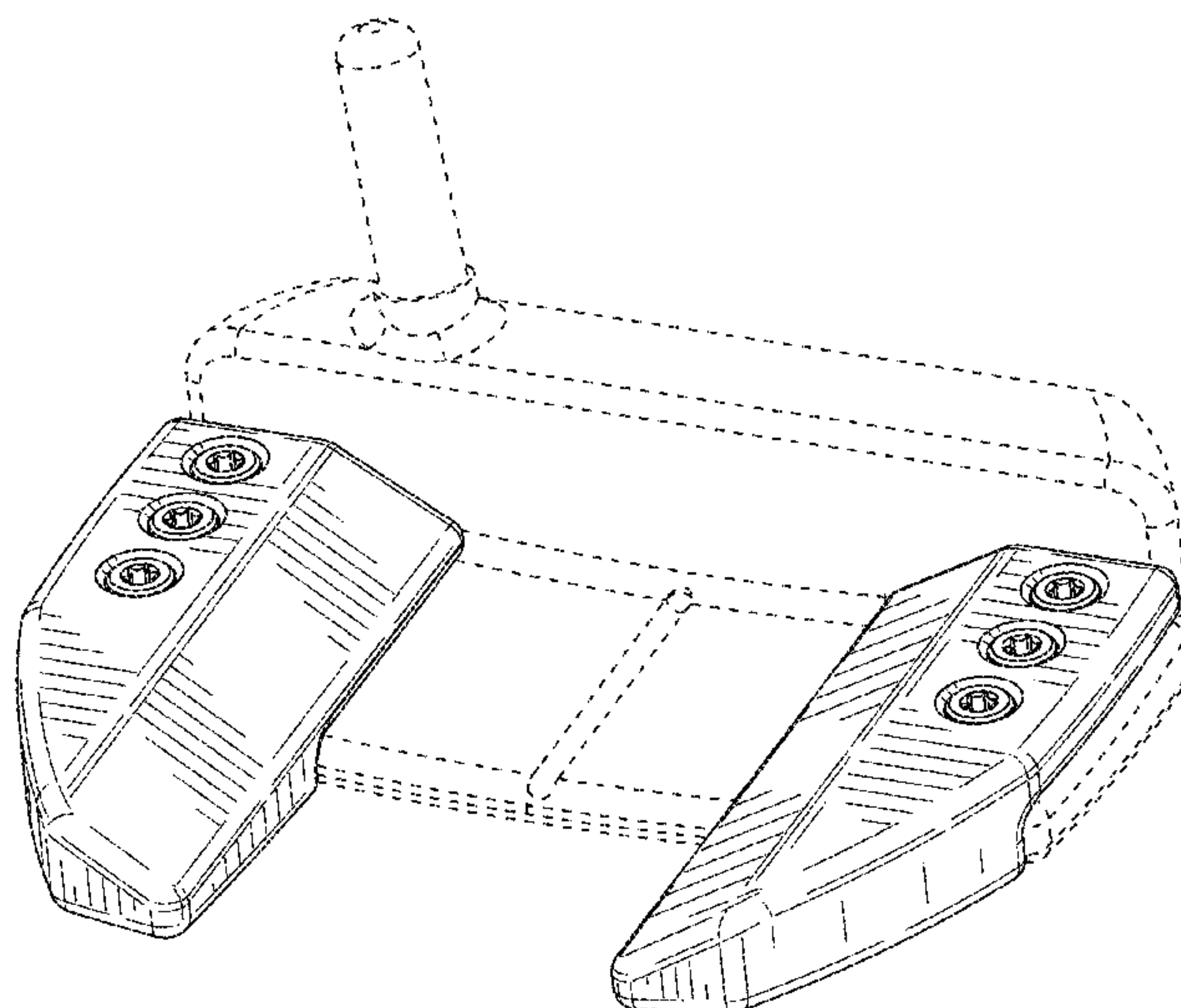
(57) **CLAIM**

The ornamental design for a golf club head, as shown and described.

DESCRIPTION

FIG. 1 is a front perspective view of a golf club head; FIG. 2 is a back perspective view of the golf club head of FIG. 1; FIG. 3 is a front elevational view of the golf club head of FIG. 1; FIG. 4 is a rear elevational view of the golf club head of FIG. 1; FIG. 5 is a top view of the golf club head of FIG. 1; FIG. 6 is a bottom view of the golf club head of FIG. 1; FIG. 7 is a left side view of the golf club head of FIG. 1; and, FIG. 8 is a right side view of the golf club head of FIG. 1. The broken line showing is included for the purpose of illustrating unclaimed subject matter and forms no part of the claimed design.

1 Claim, 6 Drawing Sheets



(56)

References Cited

U.S. PATENT DOCUMENTS

D368,751 S 4/1996 Rife
 D369,393 S 4/1996 Takahashi et al.
 5,571,053 A 11/1996 Lane
 D378,688 S 4/1997 Cameron
 D385,609 S 10/1997 Cameron
 5,683,307 A 11/1997 Rife
 D388,143 S 12/1997 Huan-Chiang
 D389,207 S 1/1998 Cameron
 D396,685 S 9/1998 Masuda
 D399,290 S 10/1998 Sizemore, Jr.
 D399,911 S 10/1998 Nicolette et al.
 5,839,974 A 11/1998 McAllister
 D405,836 S 2/1999 Nicolette et al.
 D409,701 S 5/1999 Ashcraft et al.
 5,924,938 A 7/1999 Hines
 D422,655 S 4/2000 Hicks
 D426,276 S 6/2000 Besnard et al.
 D431,854 S 10/2000 Cameron
 D432,192 S 10/2000 Hicks
 D436,151 S 1/2001 Nicolette et al.
 D437,374 S 2/2001 Cameron
 D441,820 S 5/2001 Nicolette et al.
 D443,668 S 6/2001 Nicolette et al.
 D443,905 S 6/2001 Nicolette et al.
 D444,833 S 7/2001 Wells et al.
 6,264,571 B1 7/2001 Lekavich
 D449,664 S 10/2001 Beebe et al.
 D449,865 S 10/2001 Fife, Jr. et al.
 D450,799 S 11/2001 Nicolette et al.
 D451,973 S 12/2001 Wells et al.
 6,348,014 B1 2/2002 Chiu
 6,354,959 B1 3/2002 Nicolette et al.
 6,394,910 B1 5/2002 McCarthy
 D472,949 S 4/2003 Serrano
 D474,821 S 5/2003 Wells et al.
 D474,949 S 5/2003 Schaffeld et al.
 D483,086 S 12/2003 Schweigert et al.
 D486,872 S 2/2004 Schweigert et al.
 D488,200 S 4/2004 Olsavsky
 D498,276 S 11/2004 Schweigert et al.
 6,902,496 B2 6/2005 Solheim et al.
 D512,116 S 11/2005 Mirafior et al.
 6,988,956 B2 1/2006 Cover et al.
 D520,088 S 5/2006 Parr
 D531,242 S 10/2006 Adams
 D532,067 S 11/2006 Soracco et al.
 D532,845 S * 11/2006 Rollinson D21/736
 7,153,220 B2 12/2006 Lo
 D534,595 S 1/2007 Hasebe
 7,156,752 B1 1/2007 Bennett
 D536,401 S 2/2007 Kawami
 D536,403 S 2/2007 Kawami
 D538,371 S 3/2007 Kawami
 7,204,765 B2 4/2007 Cover et al.
 D542,869 S 5/2007 Adams
 D543,598 S 5/2007 Kuan et al.
 D543,601 S 5/2007 Kawami
 D555,219 S 11/2007 Lin
 D556,277 S 11/2007 Broom
 D561,854 S 2/2008 Morris
 7,331,876 B2 2/2008 Klein
 7,351,162 B2 4/2008 Soracco et al.
 D569,461 S 5/2008 Morris
 D569,930 S 5/2008 Nehrbas
 7,396,289 B2 7/2008 Soracco et al.
 D574,908 S * 8/2008 Hettinger D21/743
 D577,085 S 9/2008 Nicolette et al.
 D577,086 S 9/2008 Nicolette et al.
 D579,506 S 10/2008 Nicolette et al.
 D579,995 S 11/2008 Nicolette et al.
 D582,497 S * 12/2008 Rollinson D21/744
 7,473,189 B2 1/2009 Schweigert et al.
 7,491,131 B2 2/2009 Vinton
 D589,575 S * 3/2009 Kim D21/744
 D590,461 S * 4/2009 Kim D21/743

D591,807 S * 5/2009 Rollinson D21/744
 D595,373 S * 6/2009 Kim D21/744
 D595,793 S 7/2009 Rollinson
 D599,425 S 9/2009 Laub
 D600,763 S 9/2009 Cameron
 7,744,485 B2 6/2010 Jones et al.
 D620,993 S 8/2010 Laub
 D621,461 S 8/2010 Serrano
 D623,709 S 9/2010 Serrano et al.
 D631,925 S 2/2011 Broom
 7,887,432 B2 2/2011 Jones et al.
 7,909,707 B2 3/2011 Klein
 7,918,745 B2 4/2011 Morris et al.
 D636,891 S 5/2011 Nicolette et al.
 D642,643 S 8/2011 Nicolette et al.
 D643,485 S 8/2011 Nicolette et al.
 D645,104 S 9/2011 Nicolette et al.
 8,096,039 B2 1/2012 Soracco et al.
 D653,718 S 2/2012 Stokke et al.
 D661,753 S 6/2012 Cameron et al.
 D666,260 S 8/2012 Cynn
 8,376,878 B2 2/2013 Bennett et al.
 D688,339 S 8/2013 Hilton et al.
 D688,341 S * 8/2013 Rollinson D21/746
 D691,226 S * 10/2013 Hilton D21/746
 D699,308 S * 2/2014 Rollinson D21/736
 D704,782 S 5/2014 Rollinson
 8,721,472 B2 5/2014 Kuan et al.
 8,790,193 B2 7/2014 Serrano et al.
 D711,483 S 8/2014 Wong
 D715,388 S 10/2014 Serrano
 D722,350 S 2/2015 Schweigert
 D722,351 S * 2/2015 Parsons D21/736
 D722,352 S 2/2015 Nicolette et al.
 D723,120 S 2/2015 Nicolette
 D724,164 S 3/2015 Schweigert et al.
 D725,208 S * 3/2015 Schweigert D21/743
 D726,265 S 4/2015 Nicolette
 D726,846 S * 4/2015 Schweigert D21/743
 D728,715 S * 5/2015 Cameron D21/736
 D730,462 S 5/2015 Becktor
 D731,605 S * 6/2015 Rollinson D21/736
 D732,122 S 6/2015 Becktor
 D732,618 S 6/2015 Becktor
 D733,234 S 6/2015 Nicolette
 D738,447 S * 9/2015 Schweigert D21/736
 D738,449 S 9/2015 Schweigert
 D739,487 S 9/2015 Schweigert
 D741,426 S 10/2015 Schweigert
 D748,213 S * 1/2016 Parsons D21/742
 D748,215 S 1/2016 Parsons et al.
 9,233,263 B2 1/2016 Schweigert
 D750,186 S * 2/2016 Schweigert D21/746
 D753,252 S 4/2016 Schweigert
 9,440,124 B2 9/2016 Parsons et al.
 D768,248 S * 10/2016 Rollinson D21/744
 D773,573 S * 12/2016 Abbott D21/744
 D776,771 S * 1/2017 Peterson D21/744
 D777,270 S * 1/2017 Rollinson D21/744
 D791,891 S * 7/2017 Davis D21/736
 D794,146 S * 8/2017 Davis D21/736
 D799,615 S * 10/2017 Kroloff D21/736
 D799,617 S * 10/2017 Becktor D21/742
 D801,459 S * 10/2017 Rollinson D21/746
 2007/0142122 A1 6/2007 Bonneau
 2007/0207675 A1 9/2007 Kuan et al.
 2007/0238548 A1 10/2007 Johnson
 2008/0139333 A1 6/2008 Klein
 2008/0146372 A1 6/2008 John
 2008/0176672 A1 7/2008 Roach et al.
 2011/0165959 A1 7/2011 Klein
 2013/0165256 A1 6/2013 Stevenson
 2013/0210537 A1 8/2013 Ainscough et al.

OTHER PUBLICATIONS

TourSpecGolf (Gold's Factory Multi Weighted Custom Putter) [online]. Nov. 20, 2010 [retrived Apr. 21, 2016]. Retrieved from the

(56)

References Cited

OTHER PUBLICATIONS

internet: <URL: <http://www.tourspegolf.com/blog/golds-factory-multi-weighted-custom-putter/>>.

* cited by examiner

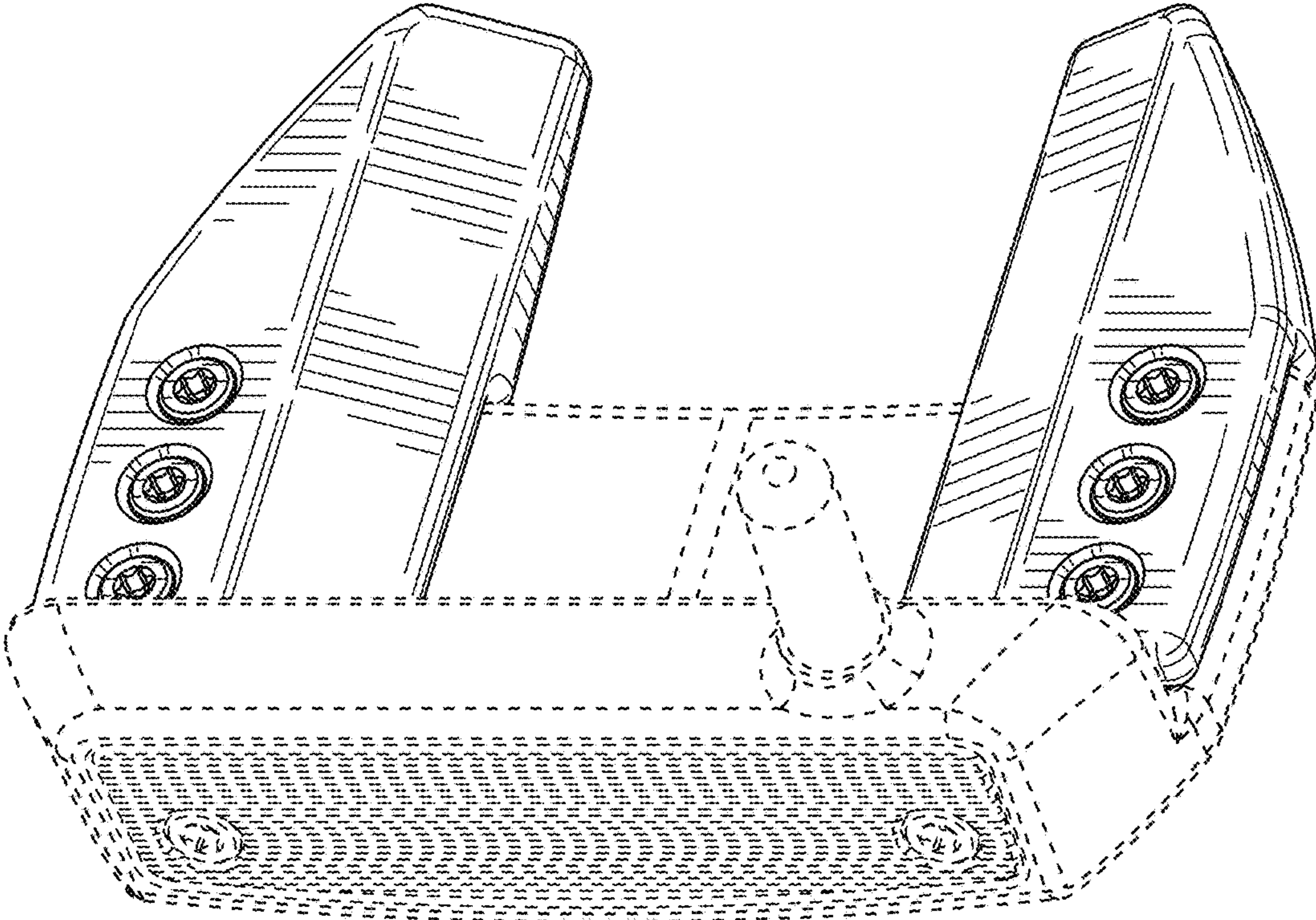


FIG. 1

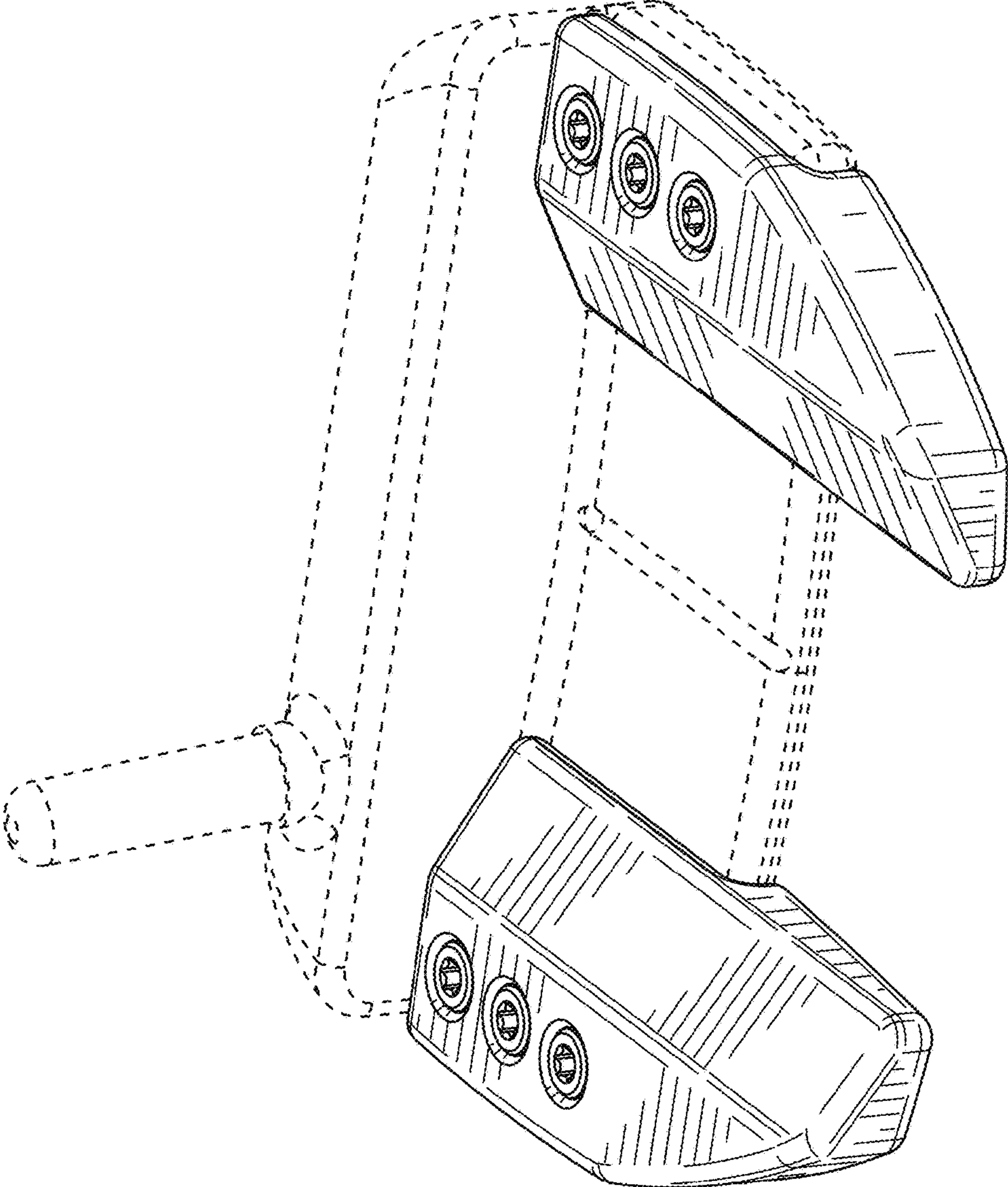


FIG. 2

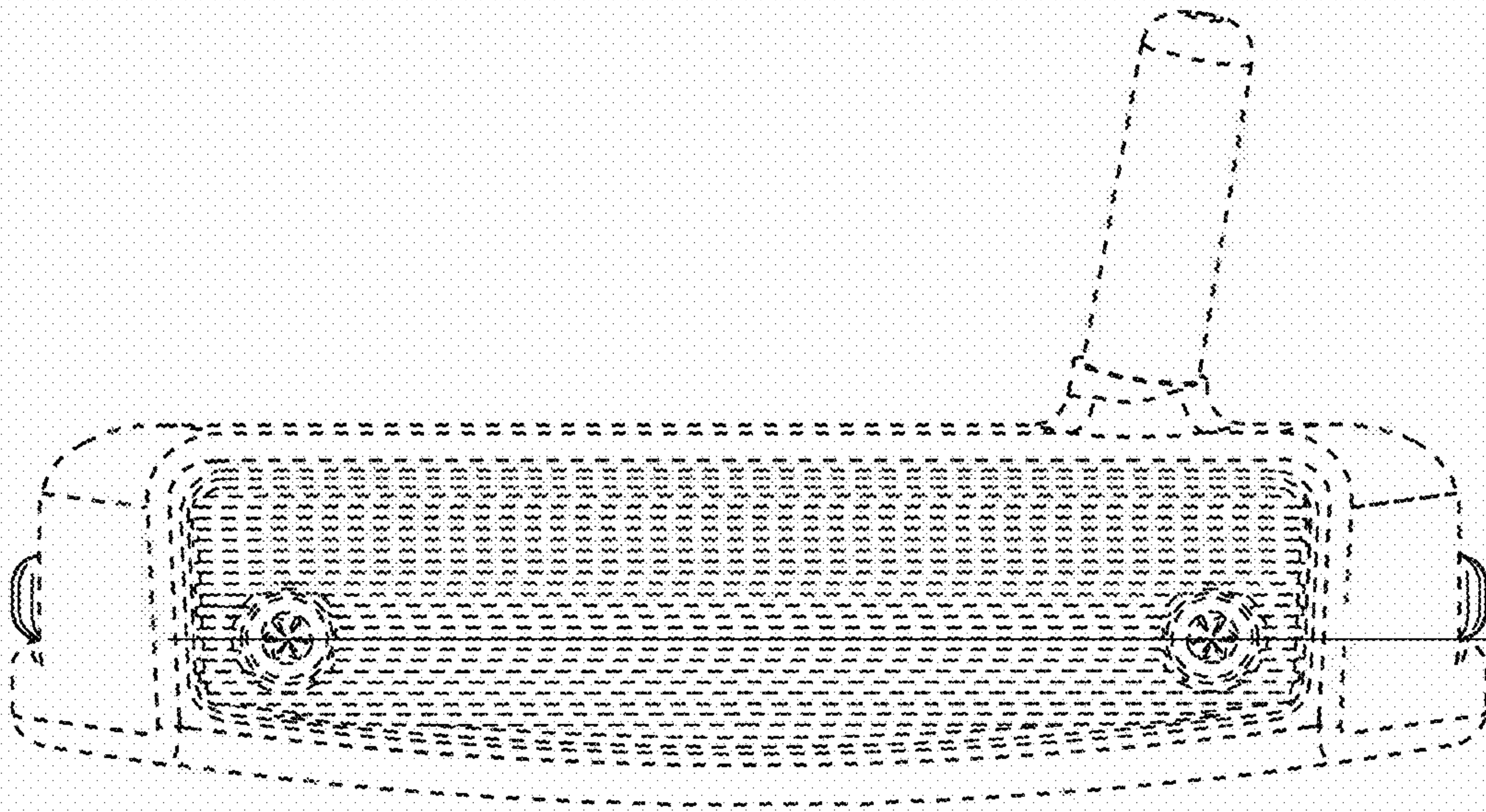


FIG. 3

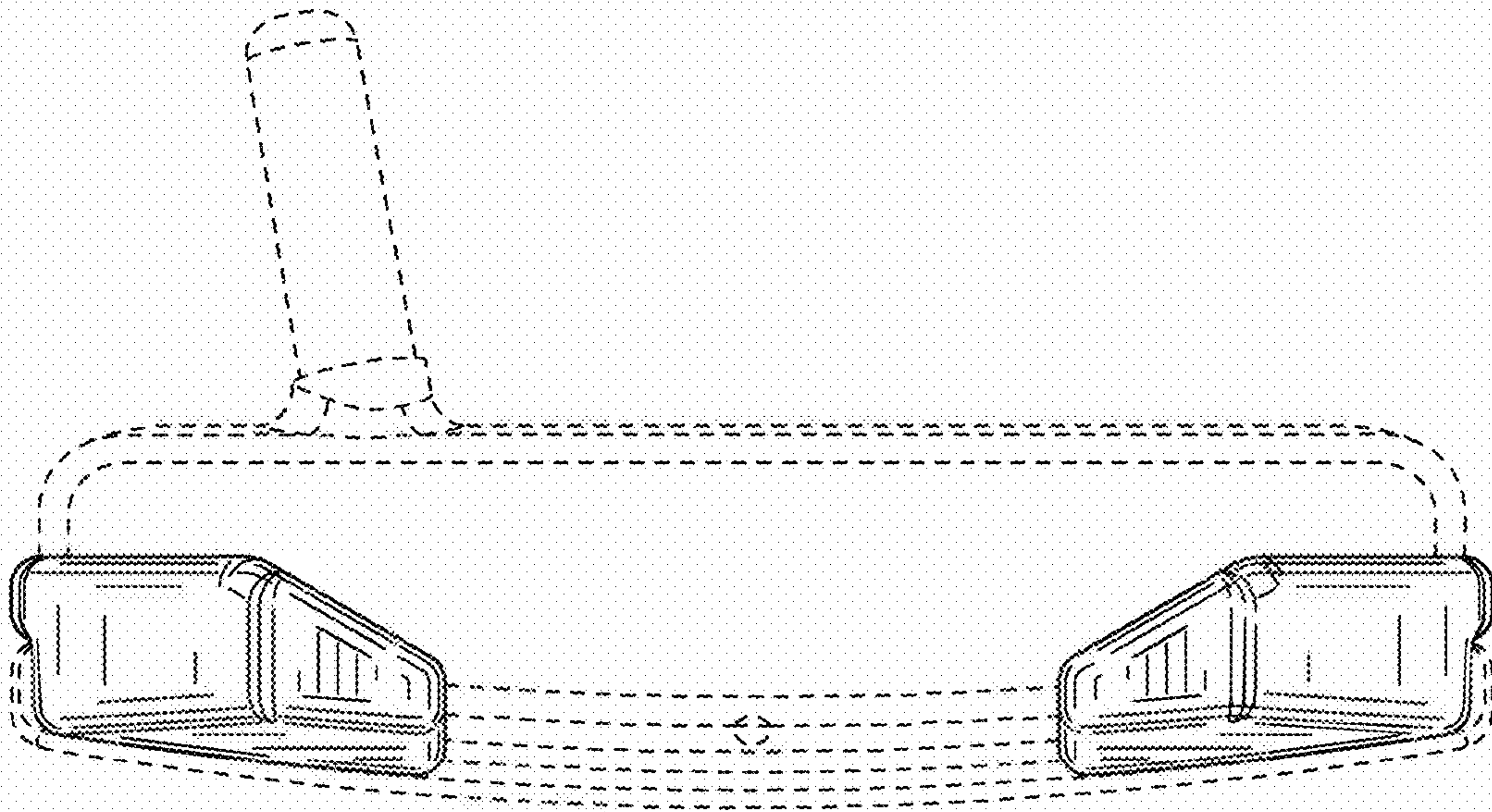


FIG. 4

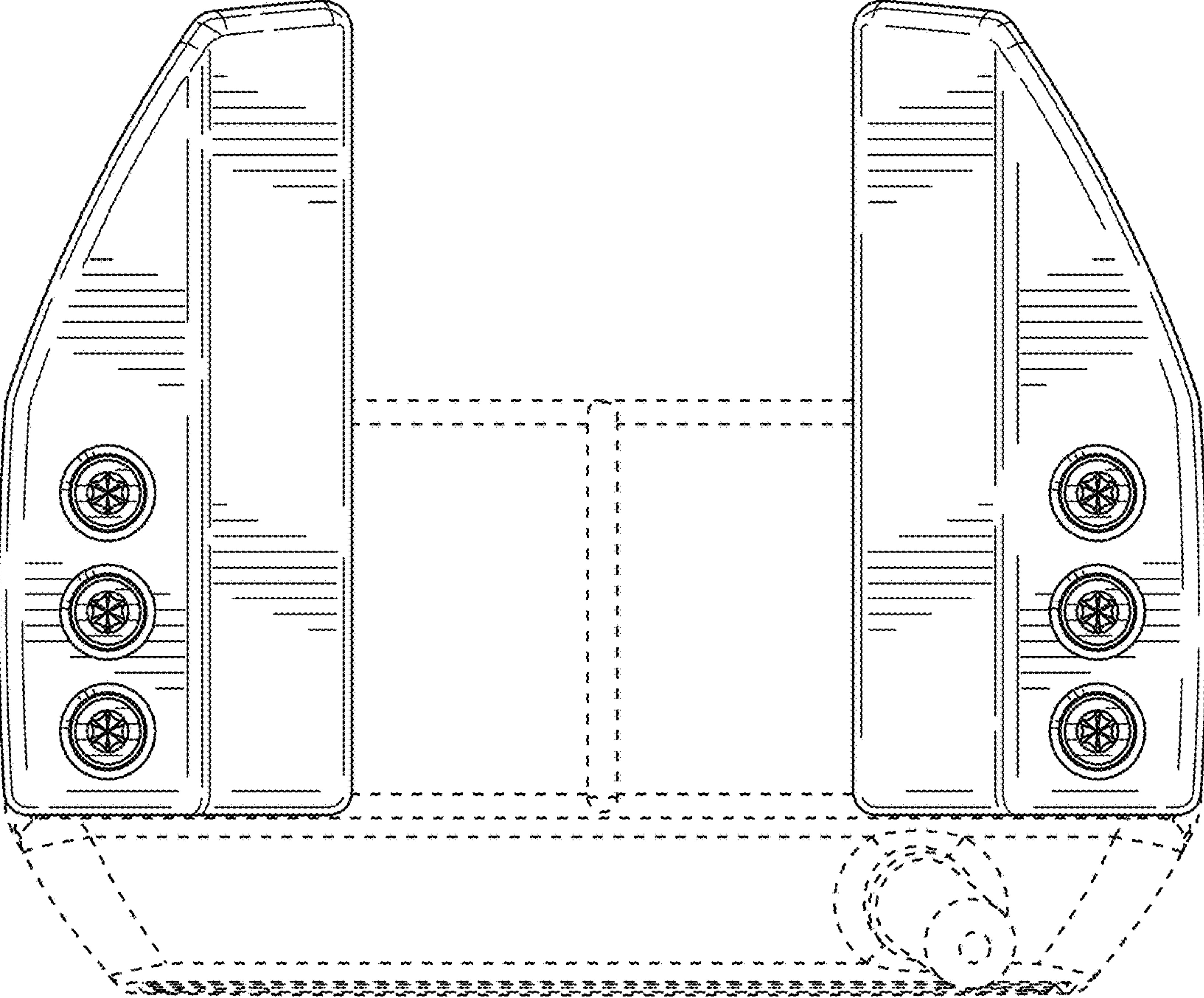


FIG. 5

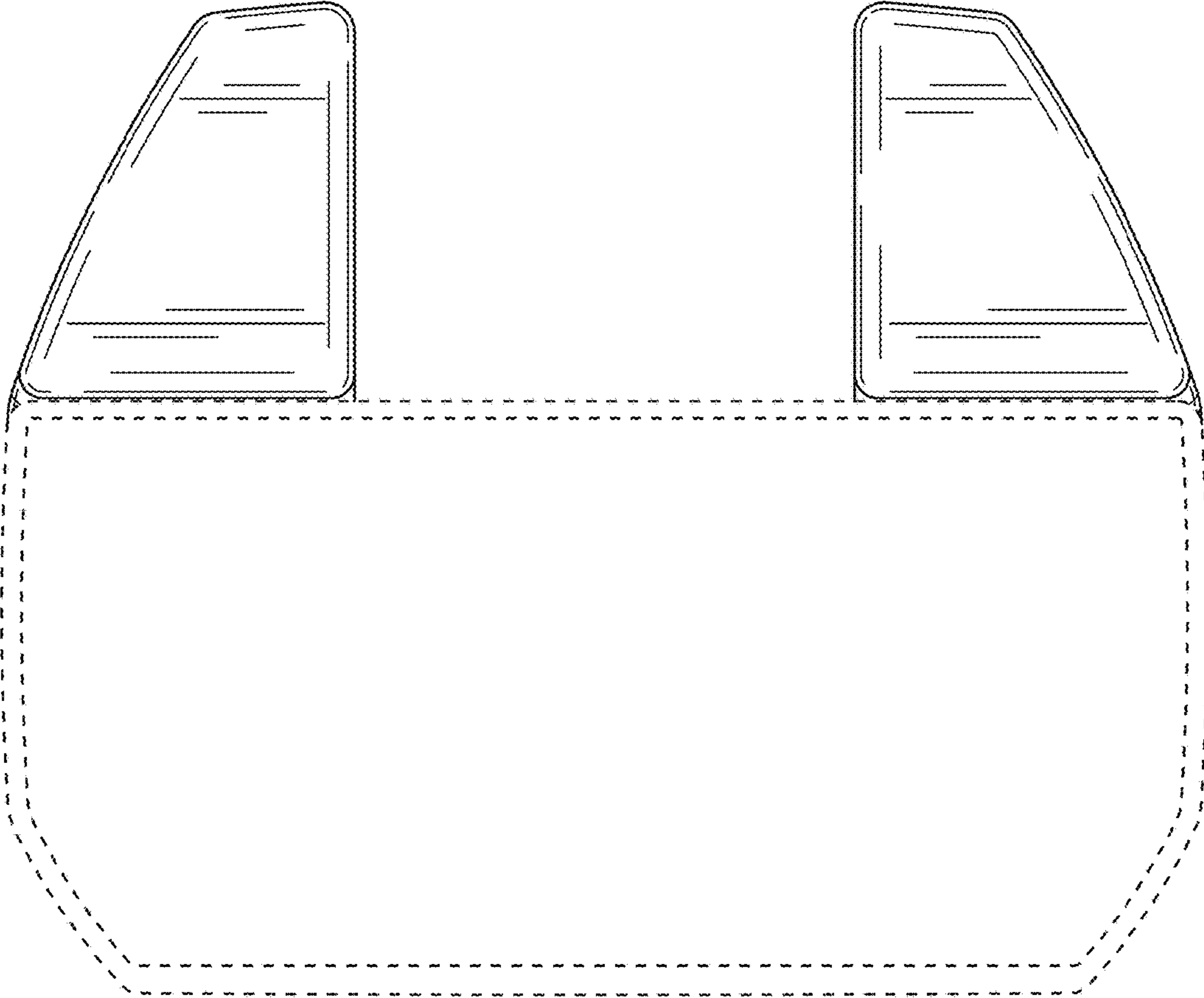


FIG. 6

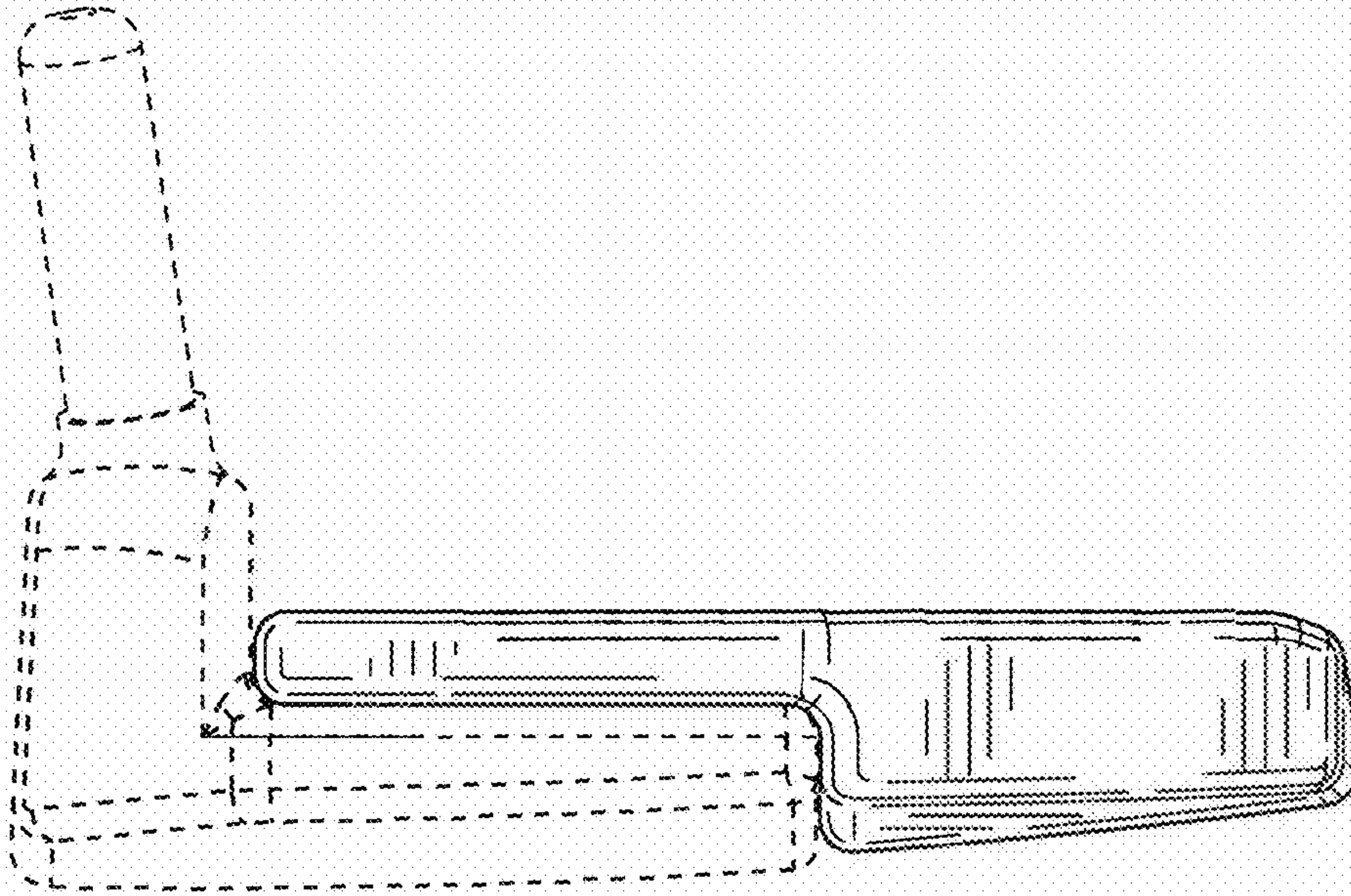


FIG. 7

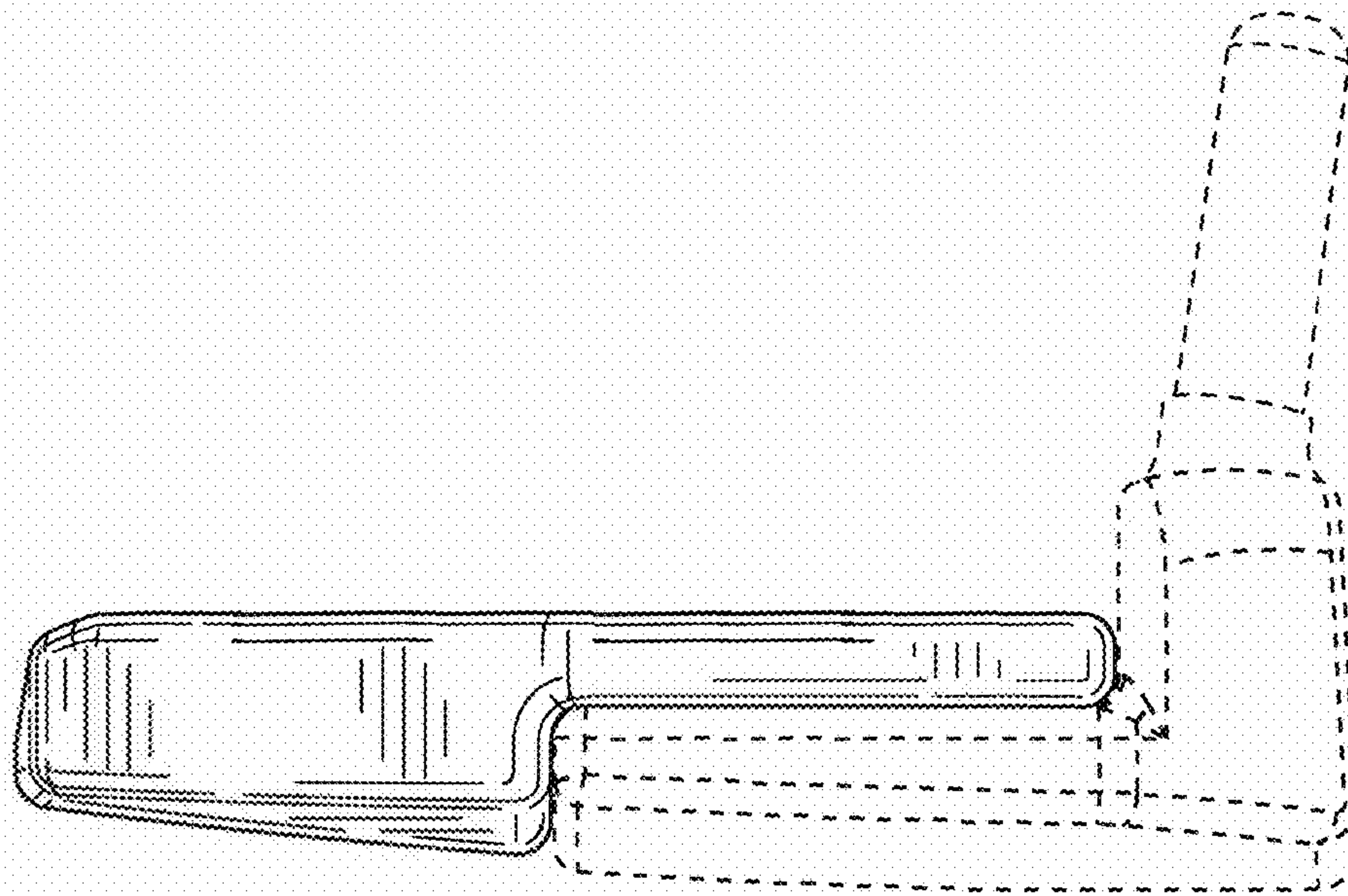


FIG. 8