



US00D855131S

(12) **United States Design Patent**  
**Chung**

(10) **Patent No.:** **US D855,131 S**

(45) **Date of Patent:** **\*\* Jul. 30, 2019**

(54) **GOLF CLUB GRIP**

(71) Applicant: **Andrew Chung**, Cypress, CA (US)

(72) Inventor: **Andrew Chung**, Cypress, CA (US)

(\*\*) Term: **15 Years**

(21) Appl. No.: **29/636,509**

(22) Filed: **Feb. 8, 2018**

(51) **LOC (11) Cl.** ..... **21-02**

(52) **U.S. Cl.**

USPC ..... **D21/756**

(58) **Field of Classification Search**

USPC ..... D21/756-758

CPC ... A63B 60/06-34; A63B 53/14; A63B 60/00;

A63B 60/46; A63B 59/20; A63B 59/40;

A63B 59/60-80; A63B 49/00-14; A63B

53/00-14

See application file for complete search history.

(56) **References Cited**

**U.S. PATENT DOCUMENTS**

4,215,860 A \* 8/1980 Nakamatsu ..... A63B 53/14

473/201

D355,011 S \* 1/1995 Subnick ..... D21/756

5,993,327 A \* 11/1999 Terril ..... A63B 53/007

473/297

D531,243 S \* 10/2006 Davis ..... D21/756

D595,376 S \* 6/2009 Martin ..... D21/753

D602,546 S \* 10/2009 Lin ..... D21/756

D717,894 S \* 11/2014 Dingman ..... D21/756

D725,730 S \* 3/2015 Ambrose ..... D21/756

D738,973 S \* 9/2015 Dingman ..... D21/756

D756,473 S \* 5/2016 McIlroy ..... D21/756

D768,251 S \* 10/2016 Giannatti ..... D21/756

D772,361 S \* 11/2016 Giannatti ..... D21/756

D774,611 S \* 12/2016 Nunn ..... D21/756

\* cited by examiner

*Primary Examiner* — Mitchell I. Siegel

(74) *Attorney, Agent, or Firm* — Raymond Sun

(57) **CLAIM**

The ornamental design for a golf club grip, as shown and described.

**DESCRIPTION**

FIG. 1 is a perspective view of a golf club grip showing my new design.

FIG. 2 is a front view thereof.

FIG. 3 is a rear view thereof.

FIG. 4 is a left view thereof.

FIG. 5 is a right view thereof.

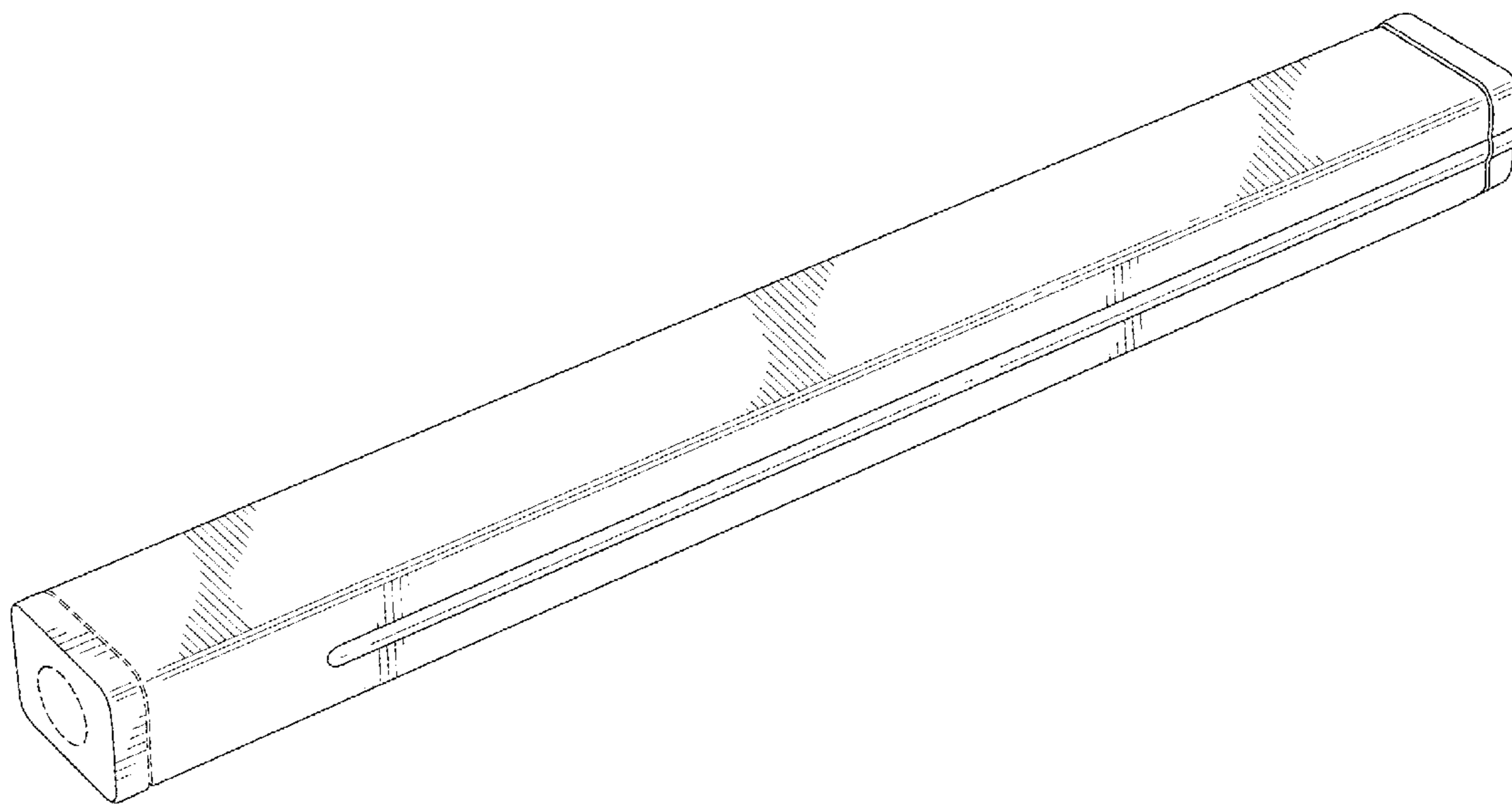
FIG. 6 is a top view thereof.

FIG. 7 is a bottom view thereof; and,

FIG. 8 is a perspective view thereof shown in use with a golf club.

The broken lines shown represent unclaimed subject matter and form no part of the claimed design.

**1 Claim, 7 Drawing Sheets**



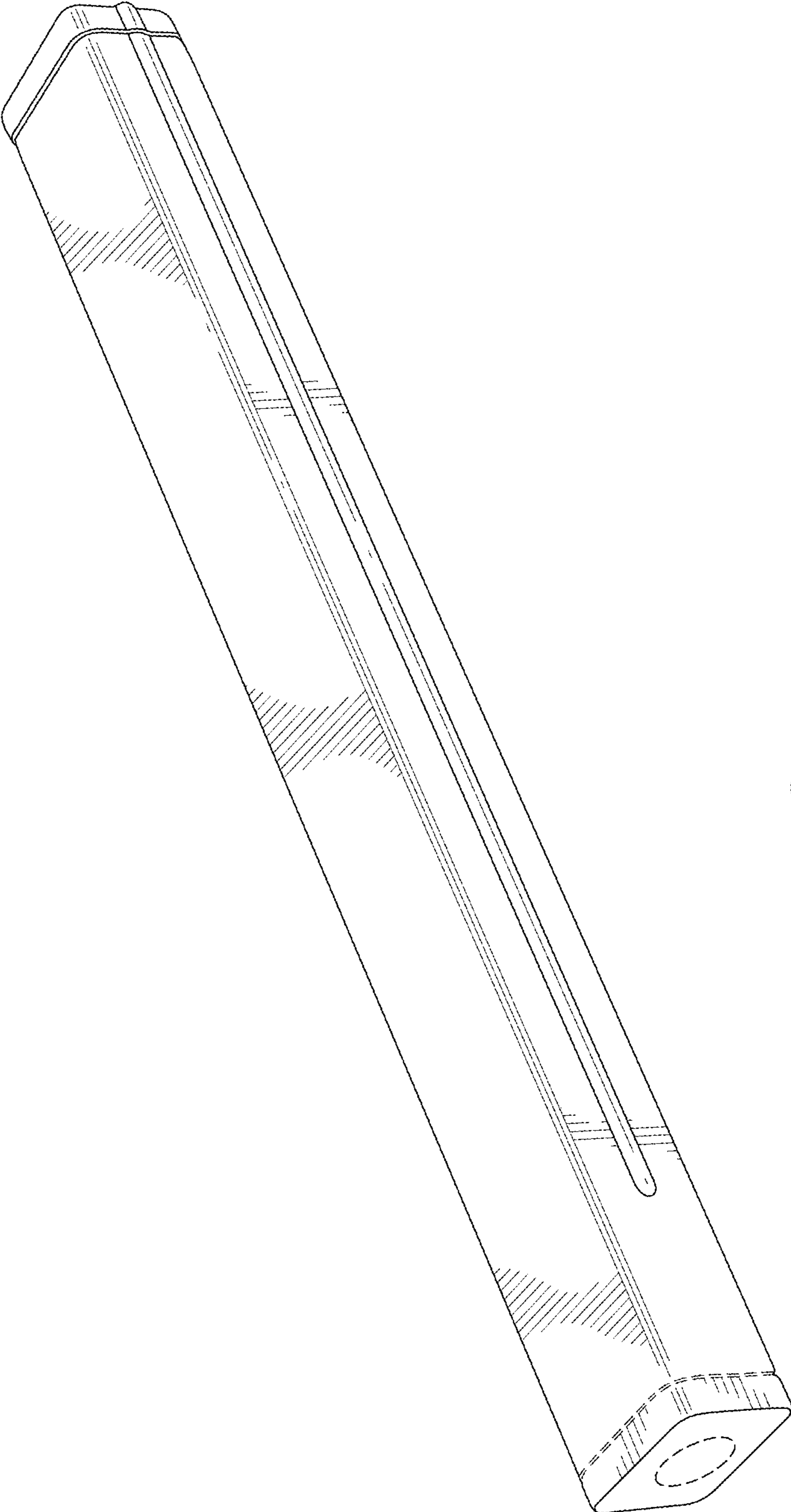


FIG. 1

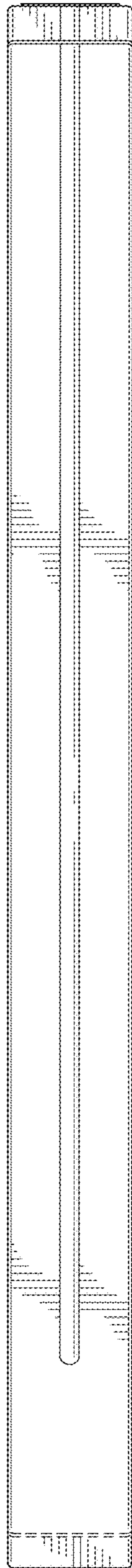


FIG. 2

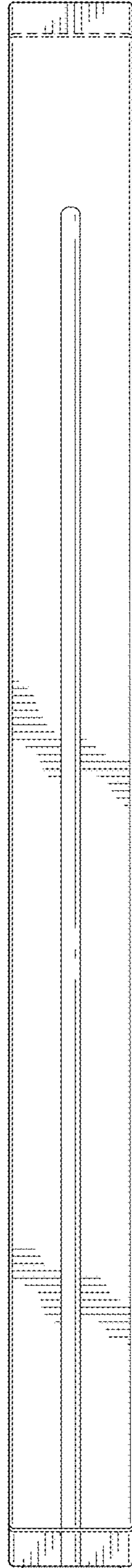


FIG. 3

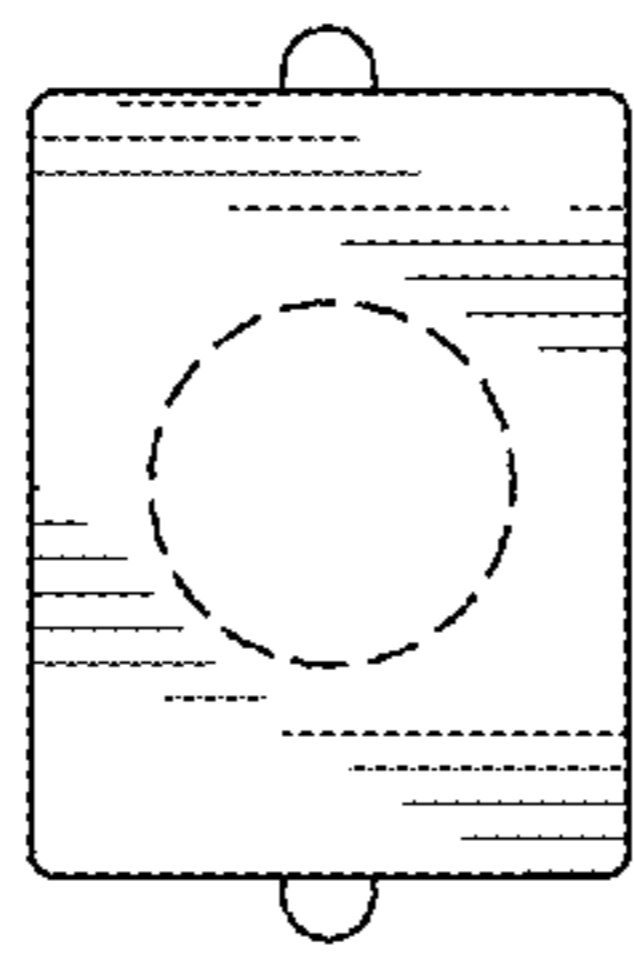


FIG. 5

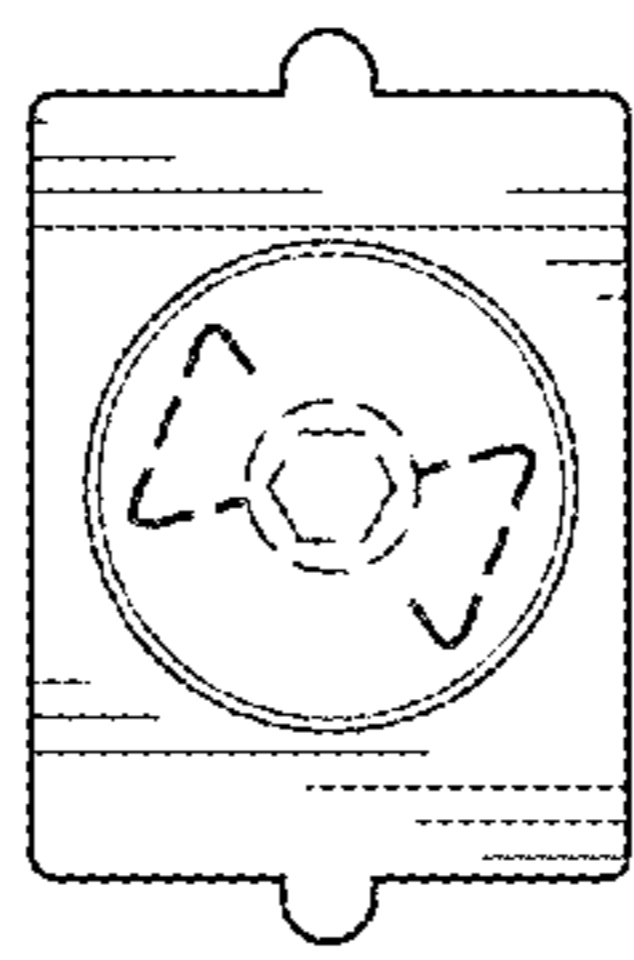


FIG. 4

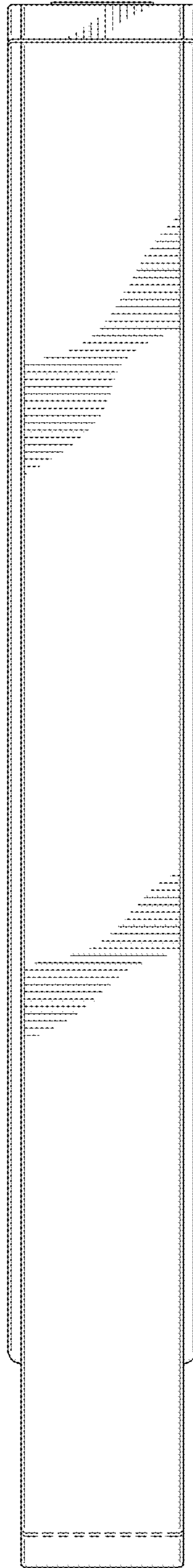


FIG. 6

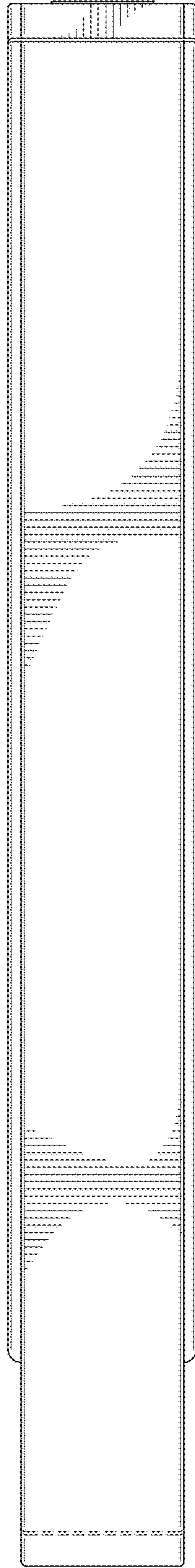


FIG. 7



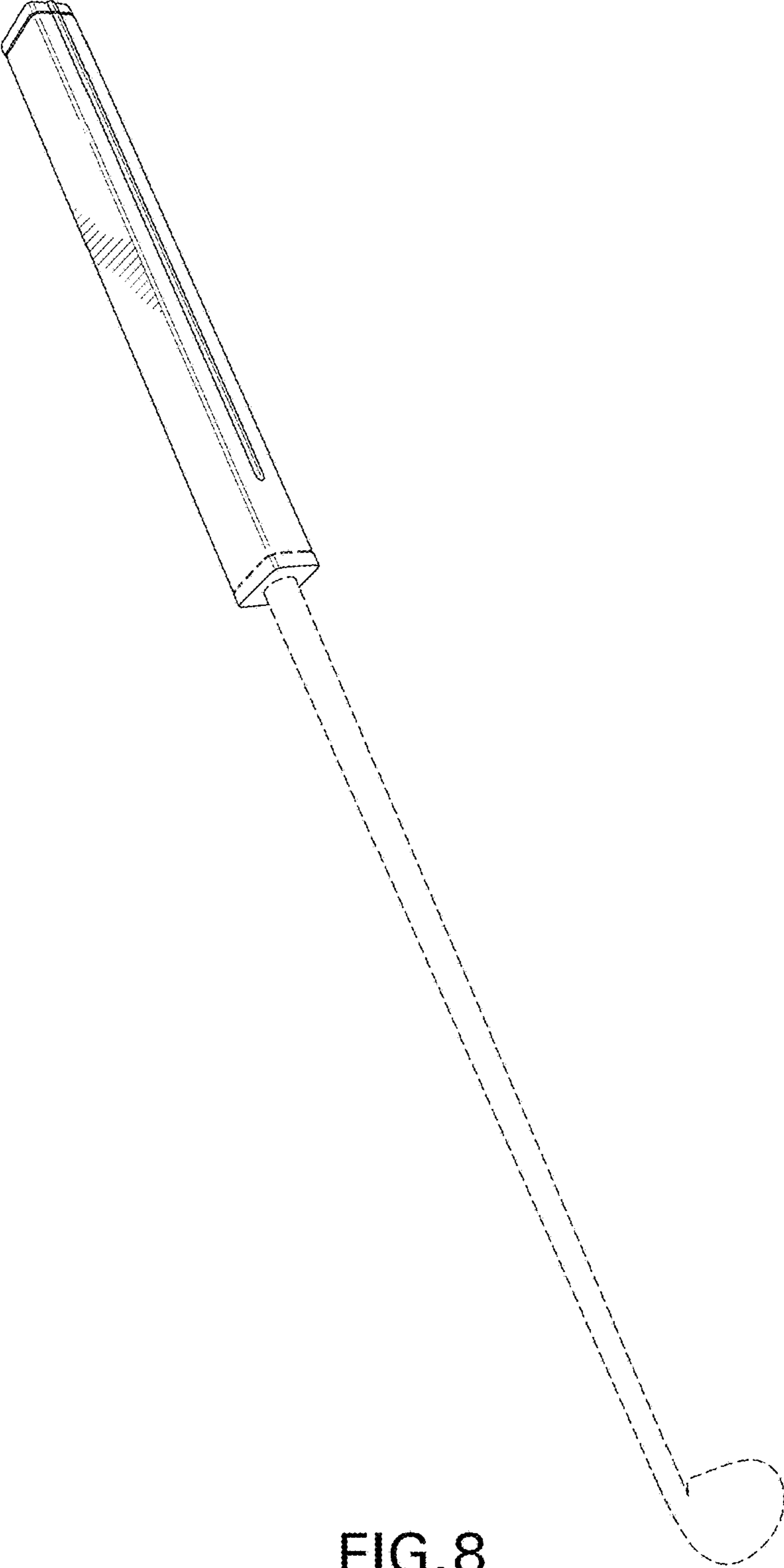


FIG. 8