



US00D855130S

(12) **United States Design Patent**  
**Chun et al.**

(10) **Patent No.:** **US D855,130 S**

(45) **Date of Patent:** **\*\* Jul. 30, 2019**

(54) **IRON GOLF CLUB HEAD**

(71) Applicant: **Acushnet Company**, Fairhaven, MA  
(US)

(72) Inventors: **Kevin J. Chun**, Encinitas, CA (US);  
**Joshua G. Breier**, Vista, CA (US);  
**Ryan J. A. Ritchie**, Huntington Beach,  
CA (US)

(73) Assignee: **Acushnet Company**, Fairhaven, MA  
(US)

(\*\*) Term: **15 Years**

(21) Appl. No.: **29/637,567**

(22) Filed: **Feb. 20, 2018**

(51) **LOC (11) Cl.** ..... **21-02**

(52) **U.S. Cl.**  
USPC ..... **D21/747**

(58) **Field of Classification Search**  
USPC ..... D21/747-751, 759  
CPC ..... A63B 53/00; A63B 53/02; A63B 53/04;  
A63B 53/047; A63B 53/0475; A63B  
2053/0479; A63B 2053/0483; A63B  
2053/0445; A63B 60/00; A63B 60/46  
See application file for complete search history.

(56) **References Cited**

**U.S. PATENT DOCUMENTS**

D428,634 S *	7/2000	Nagai	.....	D21/759
D492,376 S *	6/2004	Nicolette	.....	D21/747
D503,204 S *	3/2005	Nicolette	.....	D21/749
D523,501 S *	6/2006	Nicolette	.....	D21/749

D550,317 S *	9/2007	Oldknow	.....	D21/759
D579,996 S *	11/2008	Gilbert	.....	D21/747
D675,690 S *	2/2013	Breier	.....	D21/747
D702,786 S *	4/2014	Engel	.....	D21/759
D705,880 S *	5/2014	Engel	.....	D21/759
D707,765 S *	6/2014	Engel	.....	D21/733
D753,250 S *	4/2016	Song	.....	D21/749
D839,371 S *	1/2019	Clarke	.....	D21/747
2015/0297961 A1 *	10/2015	Voshall	.....	A63B 53/06 473/335
2015/0306473 A1 *	10/2015	Breier	.....	A63B 53/0466 473/336
2015/0321055 A1 *	11/2015	Golden	.....	A63B 53/0466 473/338

\* cited by examiner

*Primary Examiner* — Mitchell I. Siegel

(74) *Attorney, Agent, or Firm* — Randy K. Chang

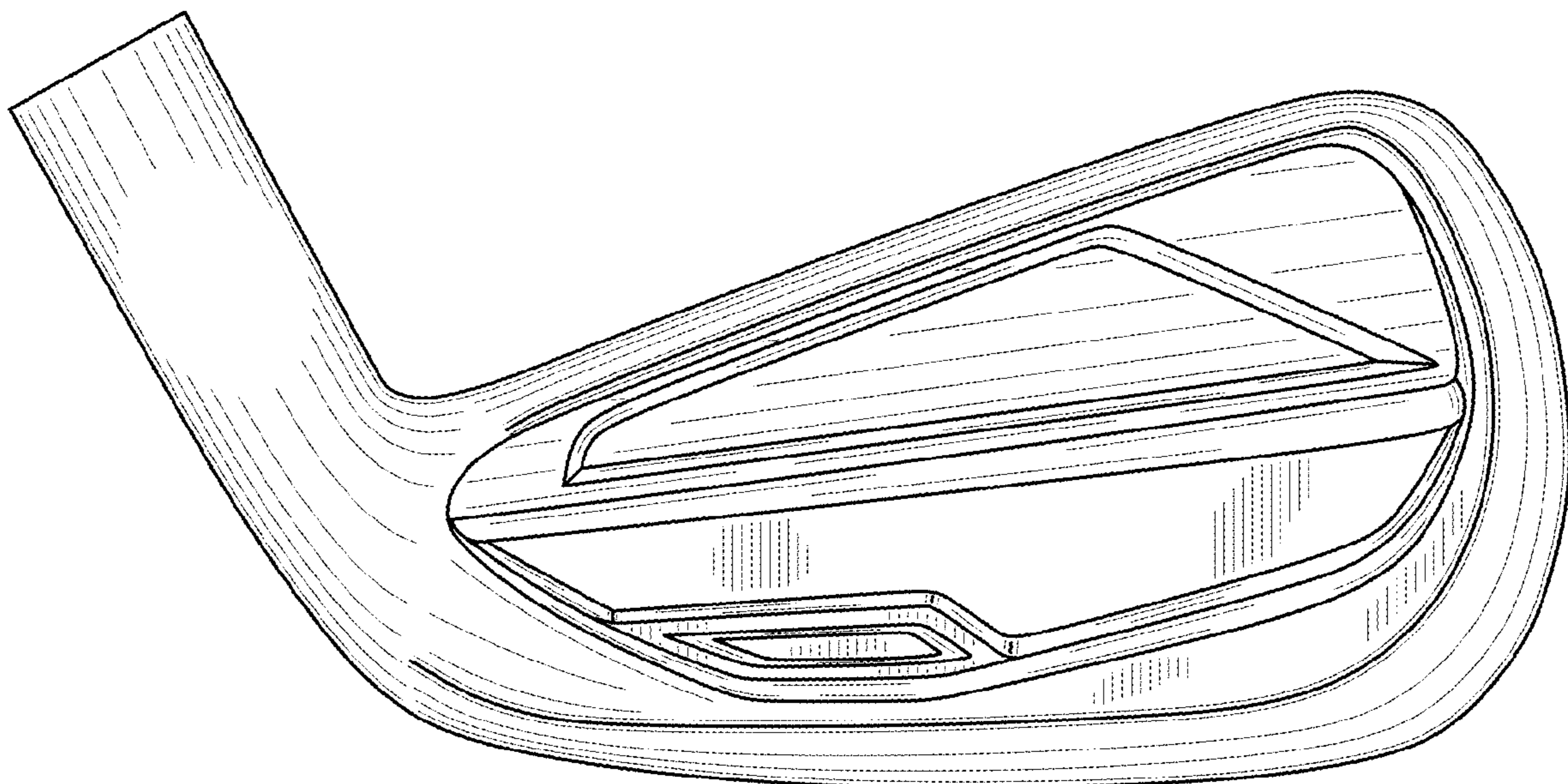
(57) **CLAIM**

The ornamental design for an iron golf club head, as shown and described.

**DESCRIPTION**

FIG. 1 is a rear perspective view of an iron golf club head showing my new design;  
FIG. 2 is a rear elevational view thereof;  
FIG. 3 is a bottom plan view thereof;  
FIG. 4 is a top plan view thereof;  
FIG. 5 is a toe end view thereof;  
FIG. 6 is a front elevational view thereof; and,  
FIG. 7 is a heel end view thereof.  
The broken line showing is included for the purpose of illustrating unclaimed subject matter and forms no part of the claimed design.

**1 Claim, 2 Drawing Sheets**



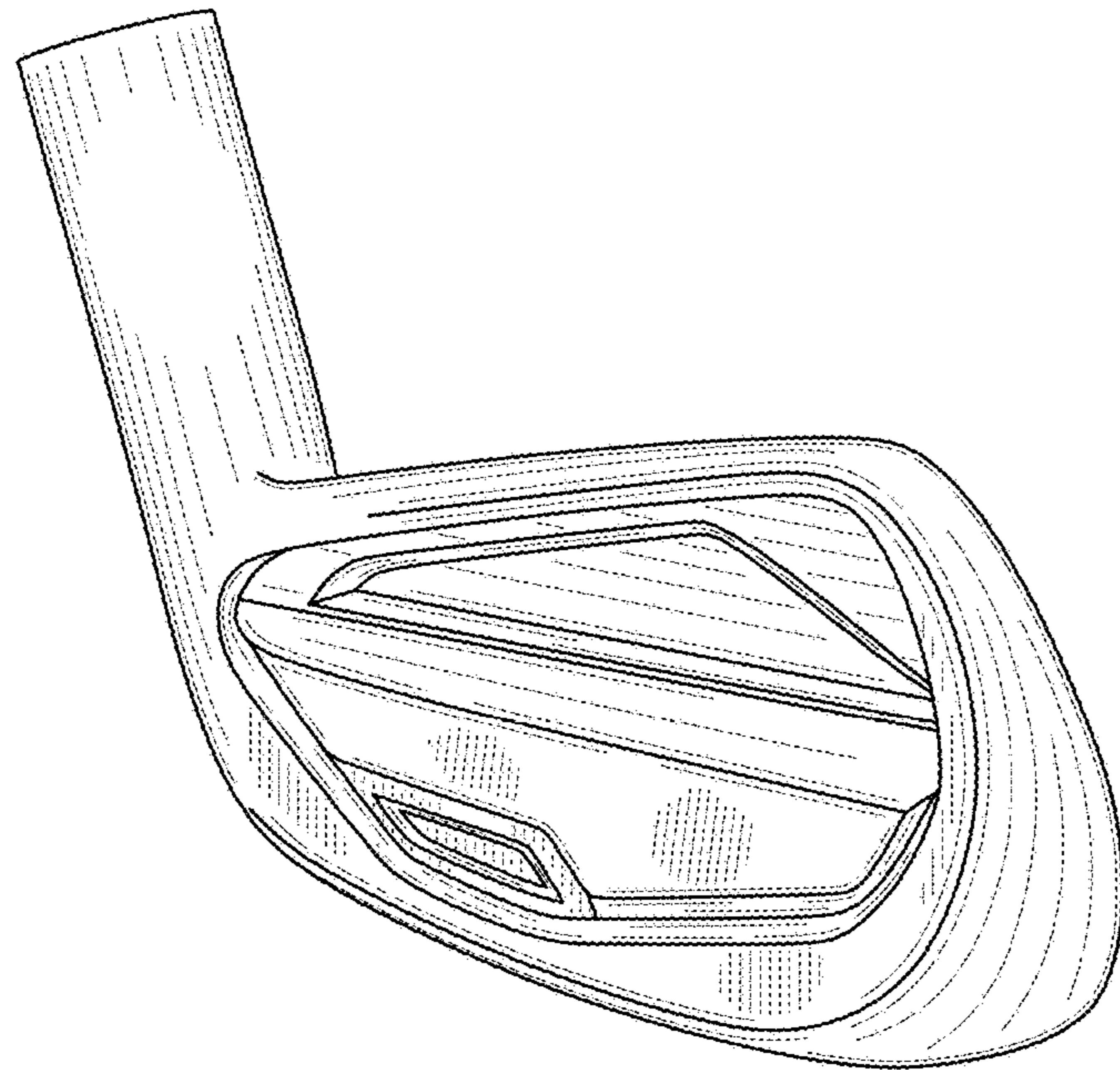


FIG. 1

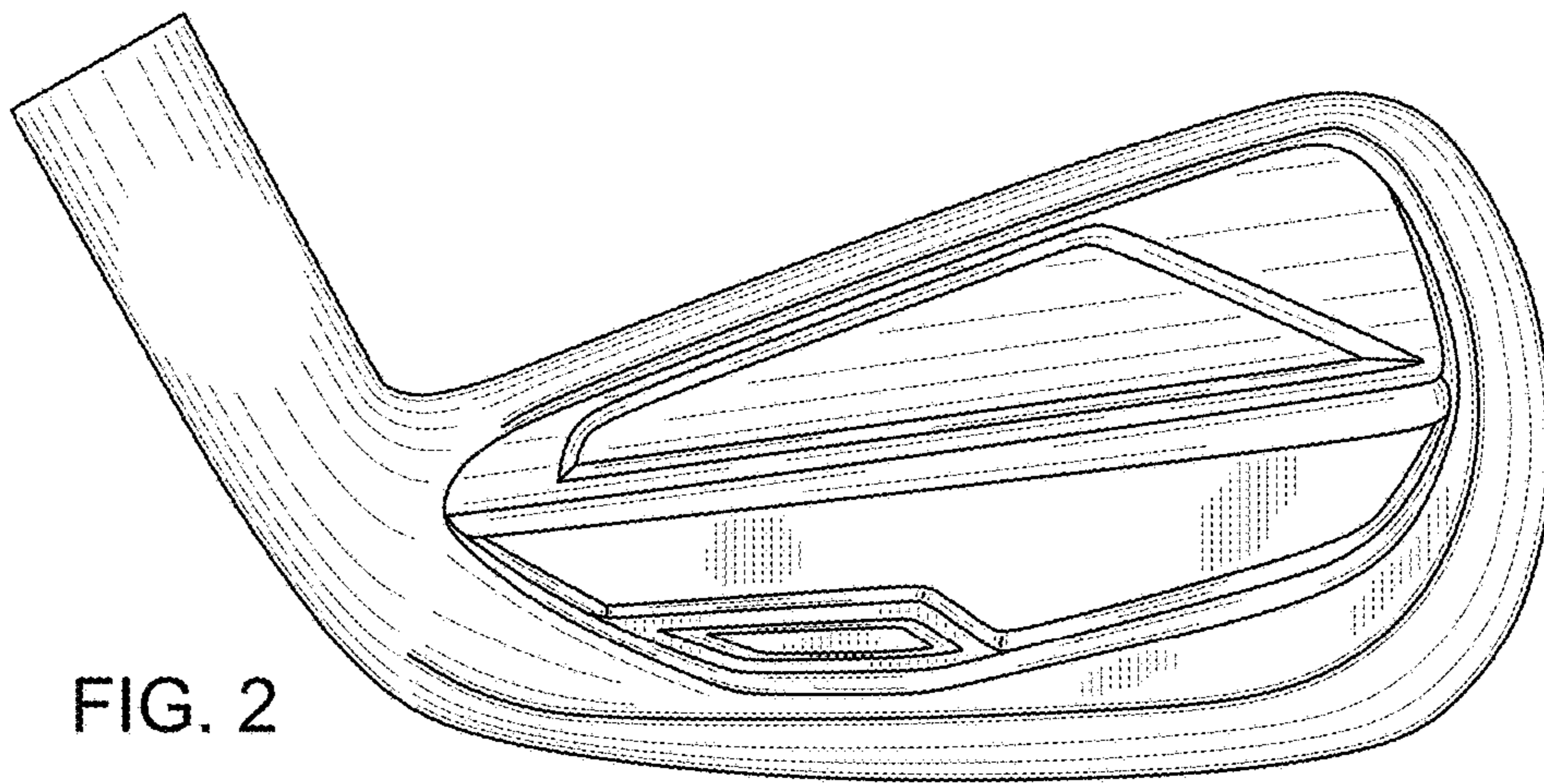


FIG. 2

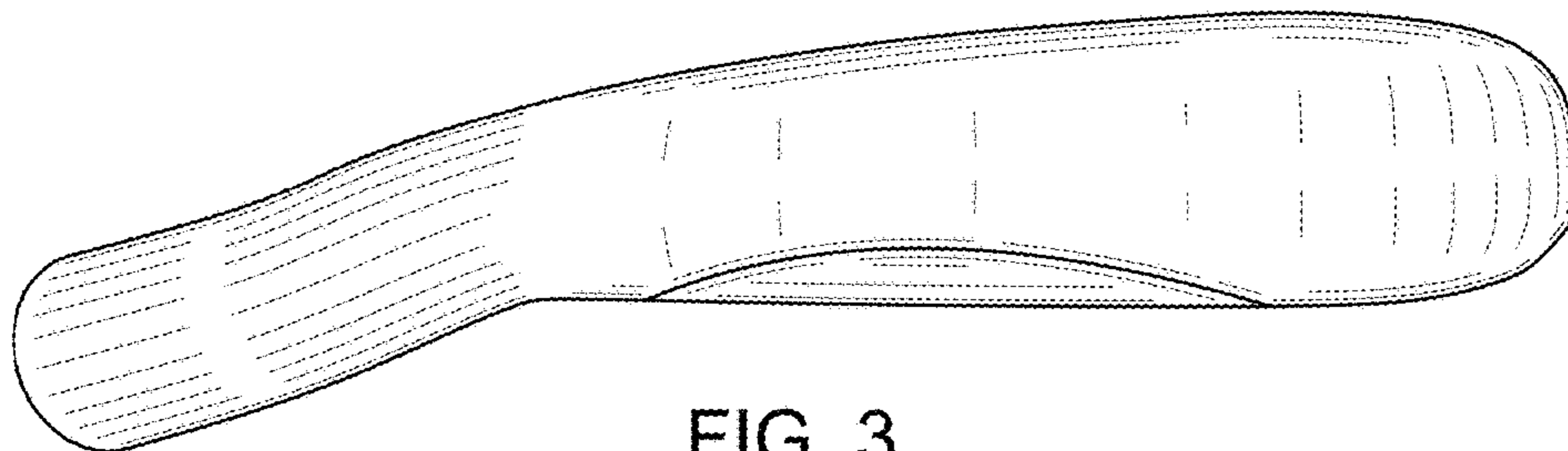


FIG. 3

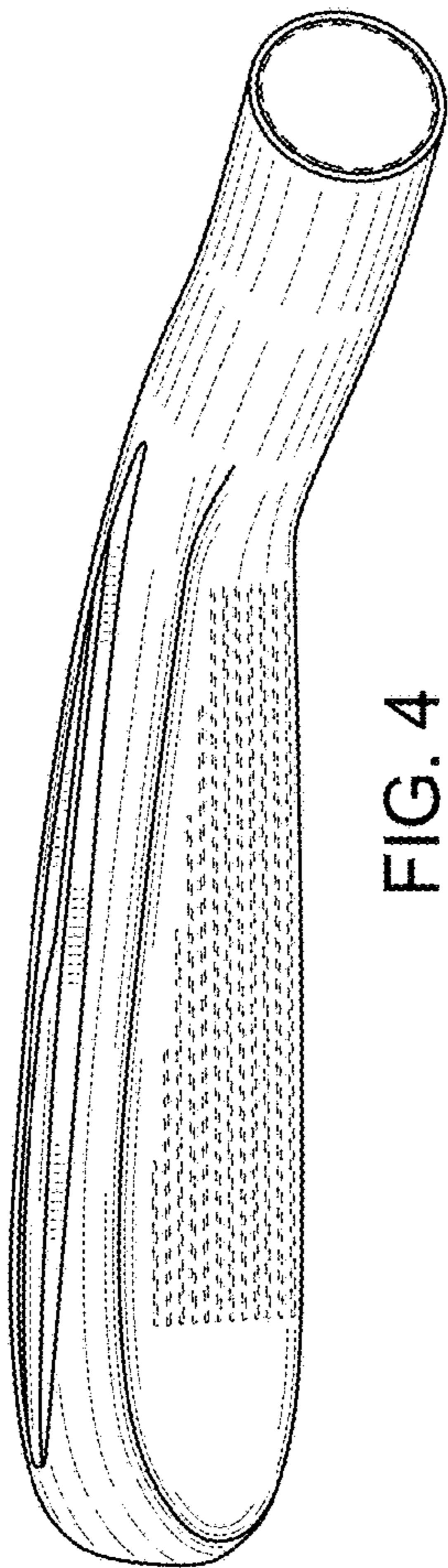


FIG. 4

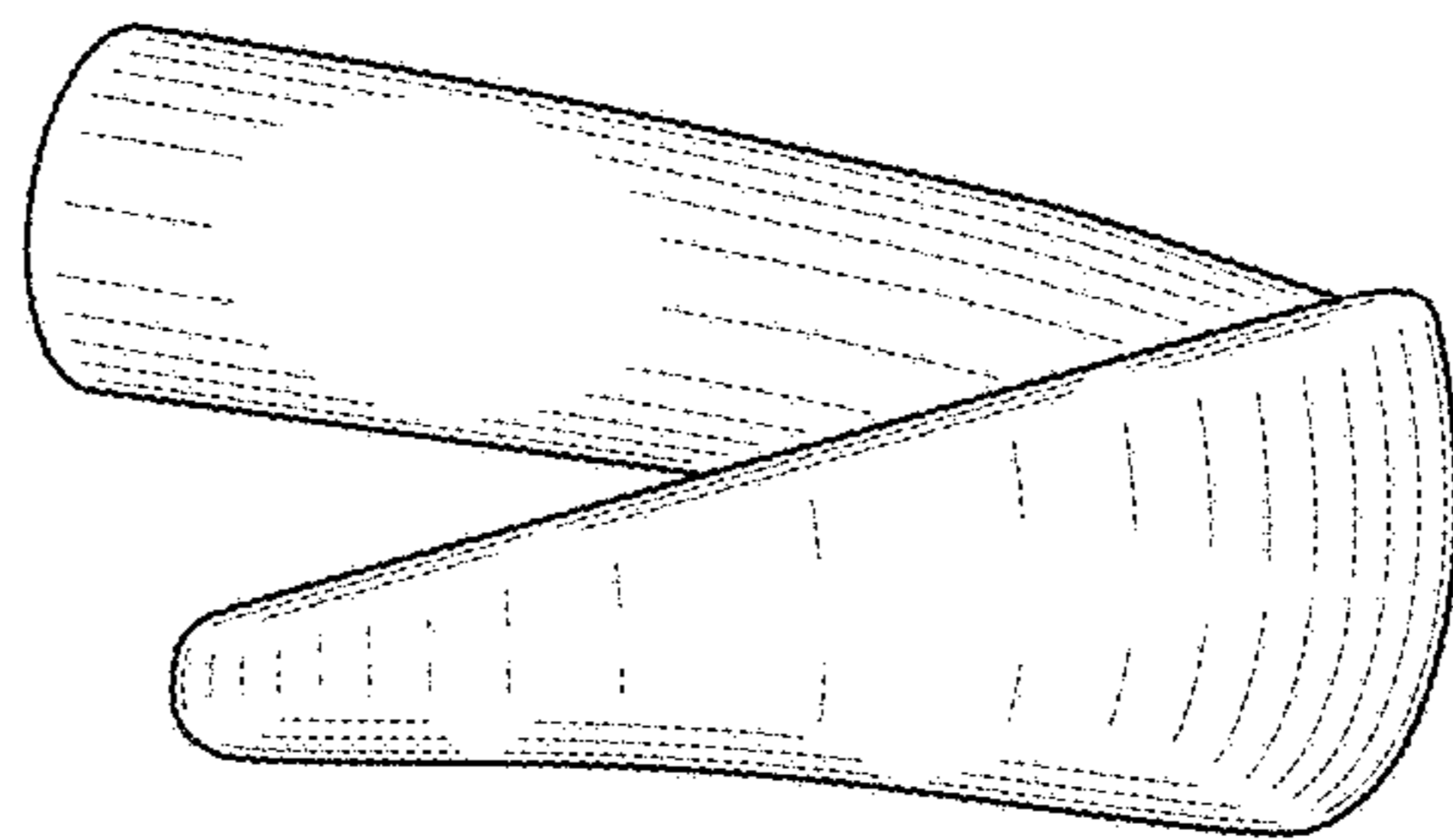


FIG. 5

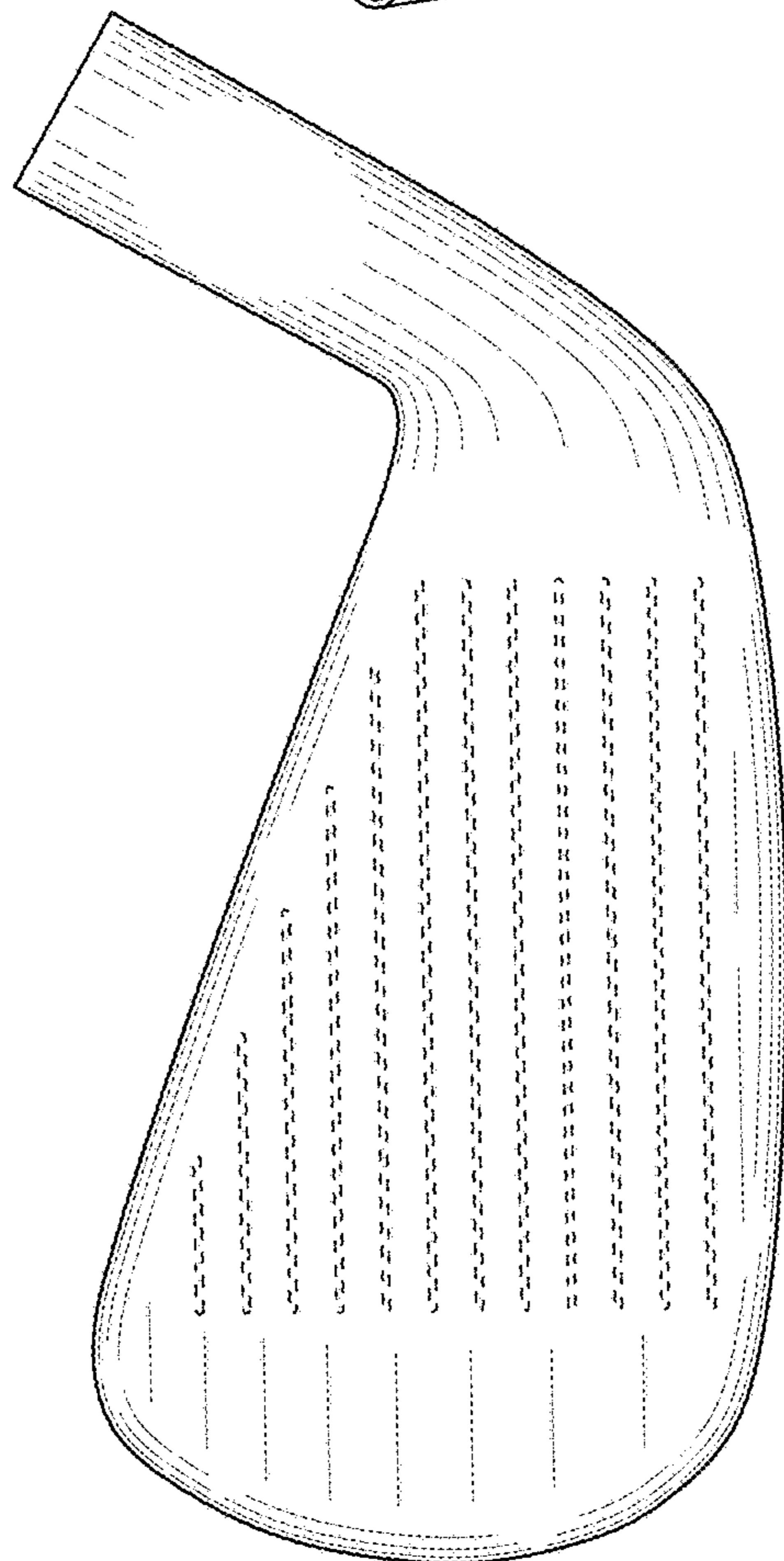


FIG. 6

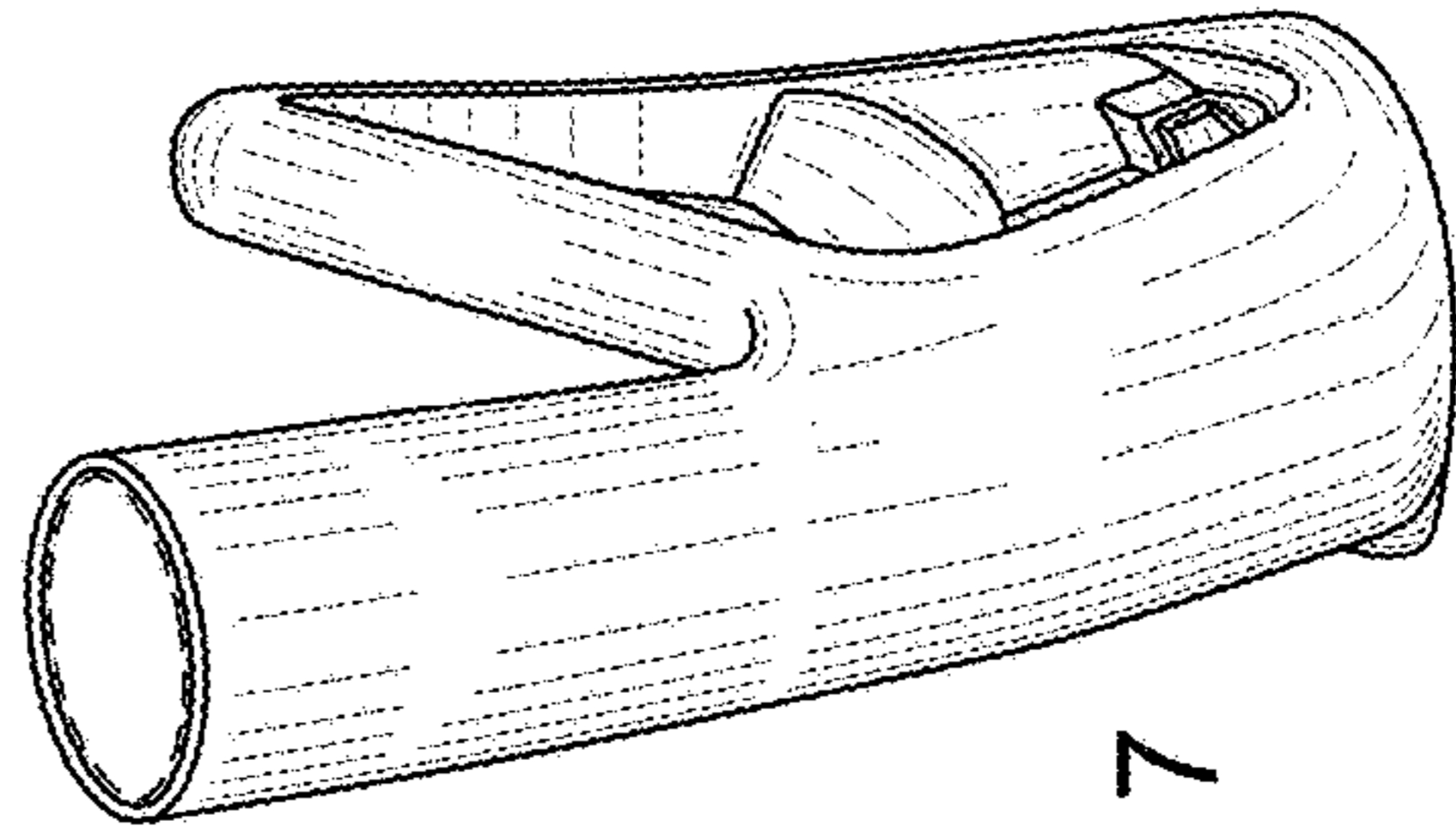


FIG. 7