



US00D855128S

(12) **United States Design Patent** (10) **Patent No.:** **US D855,128 S**
Adams (45) **Date of Patent:** **** Jul. 30, 2019**

(54) **WEIGHT RELEASER**
(71) Applicant: **Coulter Ventures LLC**, Columbus, OH (US)
(72) Inventor: **Bryan Adams**, Columbus, OH (US)
(73) Assignee: **Coulter Ventures, LLC**, Columbus, OH (US)
(**) Term: **15 Years**
(21) Appl. No.: **29/645,667**
(22) Filed: **Apr. 27, 2018**
(51) **LOC (11) Cl.** **21-02**
(52) **U.S. Cl.**
USPC **D21/694**
(58) **Field of Classification Search**
USPC 482/92, 93, 97, 104, 129, 130, 131, 133;
D21/673, 675, 679, 680, 686, 688, 694
CPC A63B 21/00185; A63B 21/16
See application file for complete search history.

D772,356 S * 11/2016 Gregory D21/686
D778,999 S * 2/2017 Zanyk D21/686
9,808,663 B2 * 11/2017 Chen A63B 21/0626
D806,808 S * 1/2018 Gregory D21/686
D813,322 S * 3/2018 Zannini A63B 21/4047
D21/673
2007/0082795 A1 * 4/2007 Murray A63B 21/078
482/104

OTHER PUBLICATIONS

Roguefitness, "Rogue Weight Releasers", Feb. 14, 2019. <https://www.roguefitness.com/rogue-weight-releasers>. Shown on p. 1. (Year: 2019).*
Product listing for Monster Grips Monster Hooks from <https://web.archive.org/web/20170320114450/http://monster-grips.com/eccentrichooks.html>, dated Mar. 20, 2017.

* cited by examiner

Primary Examiner — Cynthia Ramirez
Assistant Examiner — Michael A Maharajh
(74) *Attorney, Agent, or Firm* — Banner & Witcoff, Ltd.

(57) **CLAIM**

The ornamental design for a weight releaser, as shown and described.

DESCRIPTION

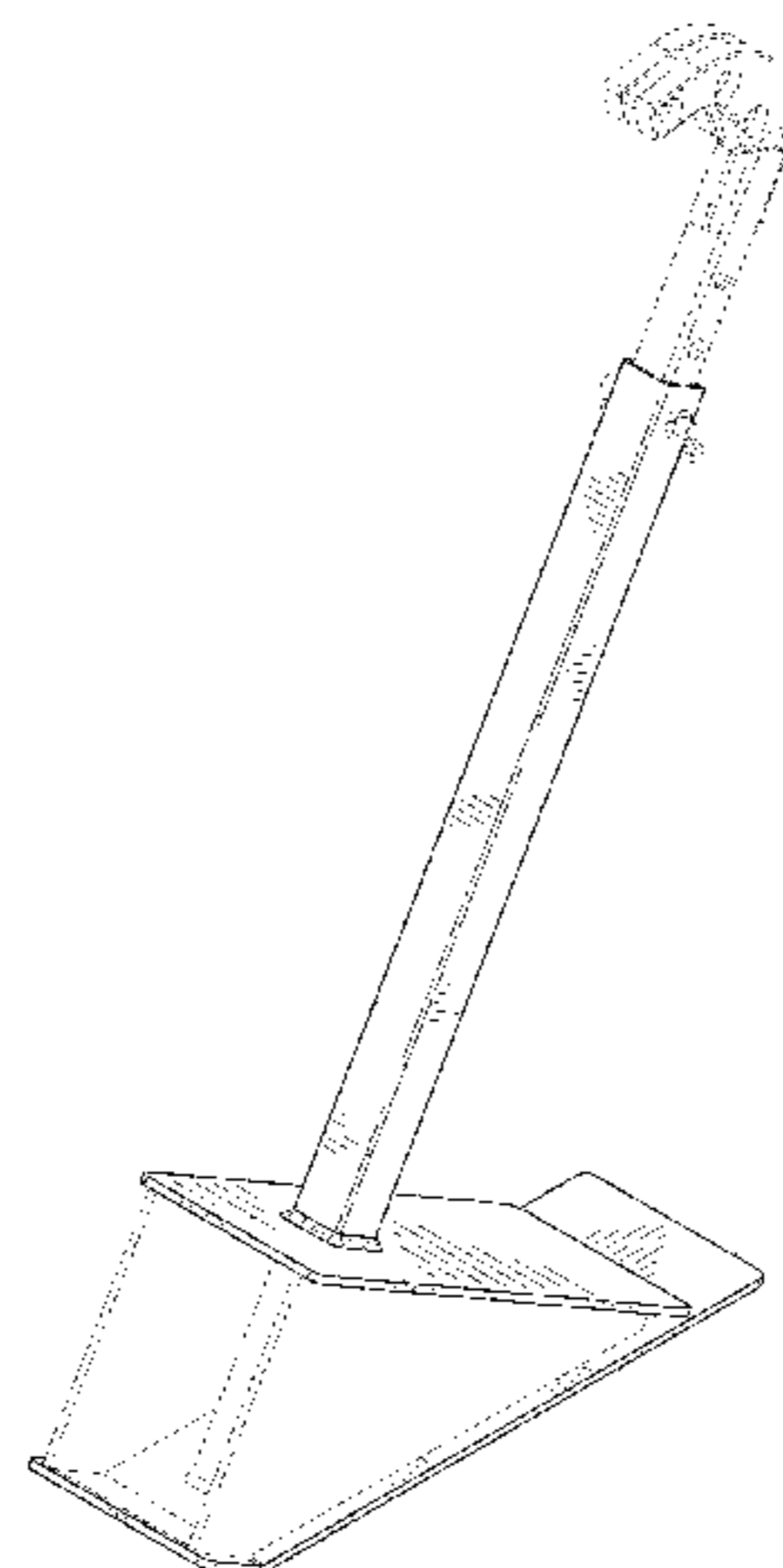
FIG. 1 is a top, front, right perspective view of a weight releaser showing my new design;
FIG. 2 is a top, front, left perspective view thereof;
FIG. 3 is a front view thereof;
FIG. 4 is a rear view thereof;
FIG. 5 is a right side view thereof;
FIG. 6 is a left side view thereof;
FIG. 7 is a top view thereof; and,
FIG. 8 is a top, rear, left perspective view thereof.
The broken lines shown in the figures are for the purpose of illustrating portions of the weight releaser, which form no part of the claimed design.

1 Claim, 7 Drawing Sheets

(56) **References Cited**

U.S. PATENT DOCUMENTS

D274,829 S * 7/1984 Bankier D21/679
D290,033 S * 5/1987 Policastro D21/691
4,834,364 A * 5/1989 Gongwer A63B 23/00
482/131
5,137,504 A * 8/1992 Mangini A61H 1/0244
482/131
5,143,372 A * 9/1992 Wilson A63B 21/0615
473/442
D356,351 S * 3/1995 Watts D21/691
D682,955 S * 5/2013 Stephan D21/679
8,992,394 B2 * 3/2015 Mitchell A63B 21/0724
482/104
9,216,314 B2 * 12/2015 Chen A63B 21/16
D748,745 S * 2/2016 Hansen D21/679
D764,607 S * 8/2016 Beckford D21/679
D768,791 S * 10/2016 Beaver D21/686
D769,991 S * 10/2016 Thomas D21/686



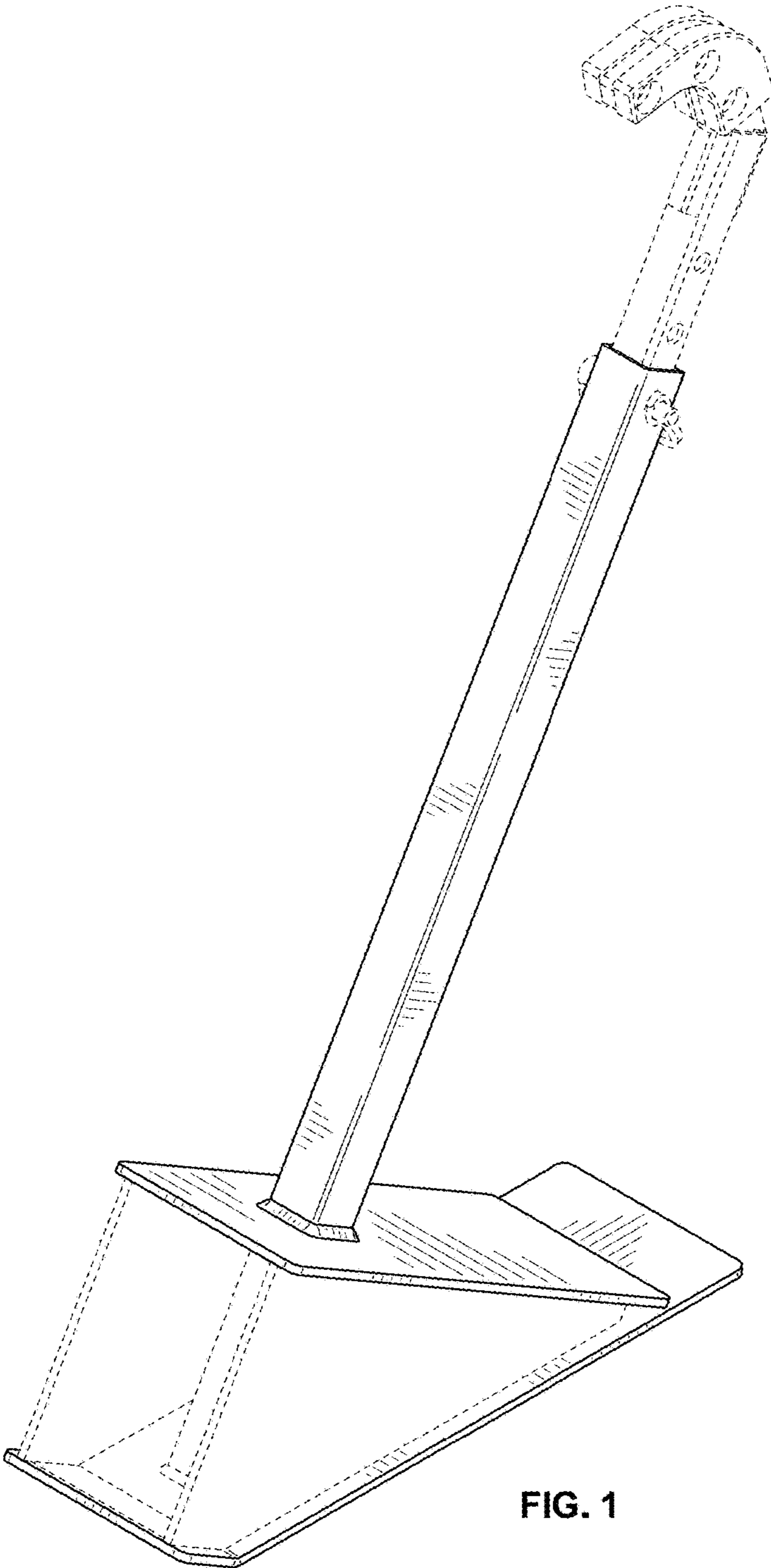


FIG. 1

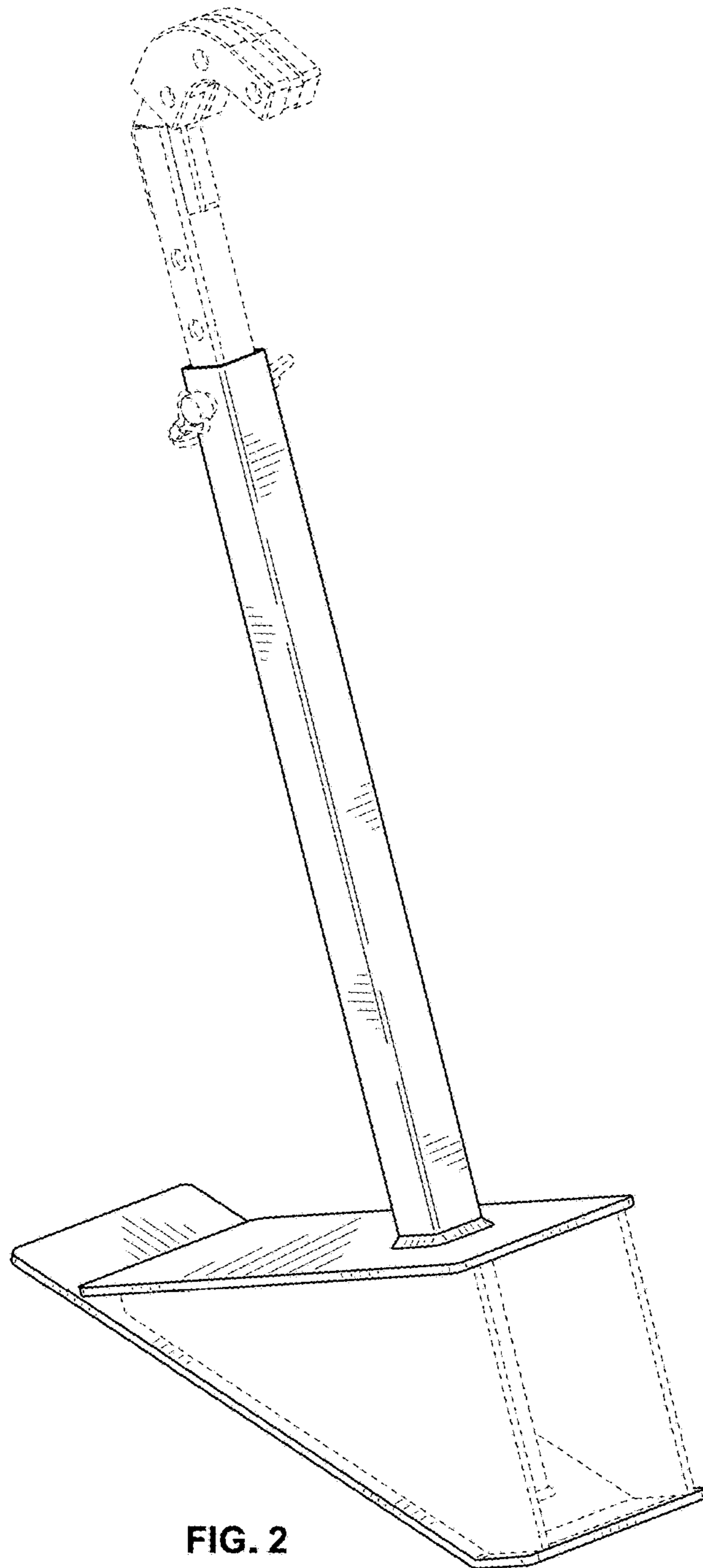


FIG. 2

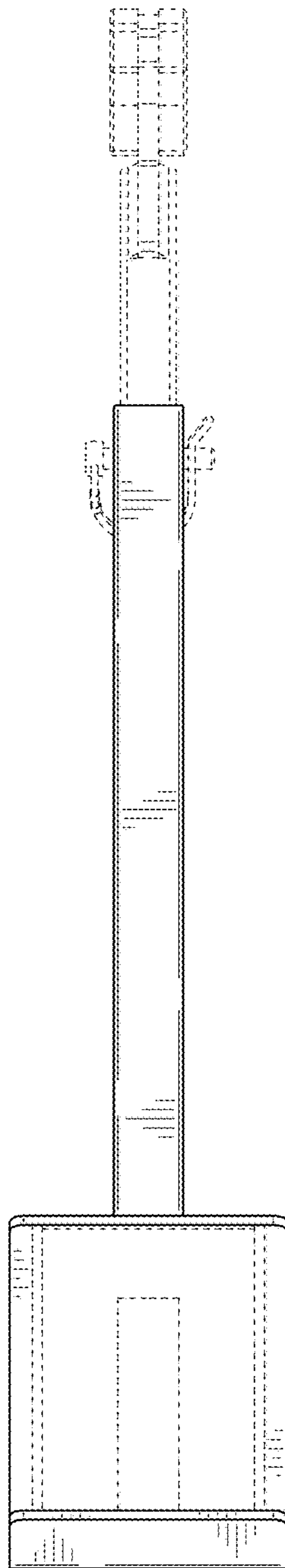


FIG. 3

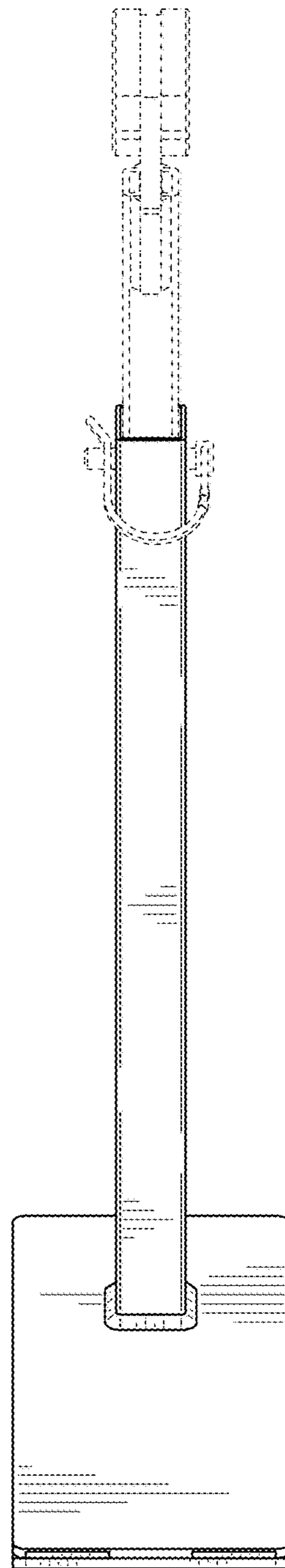


FIG. 4

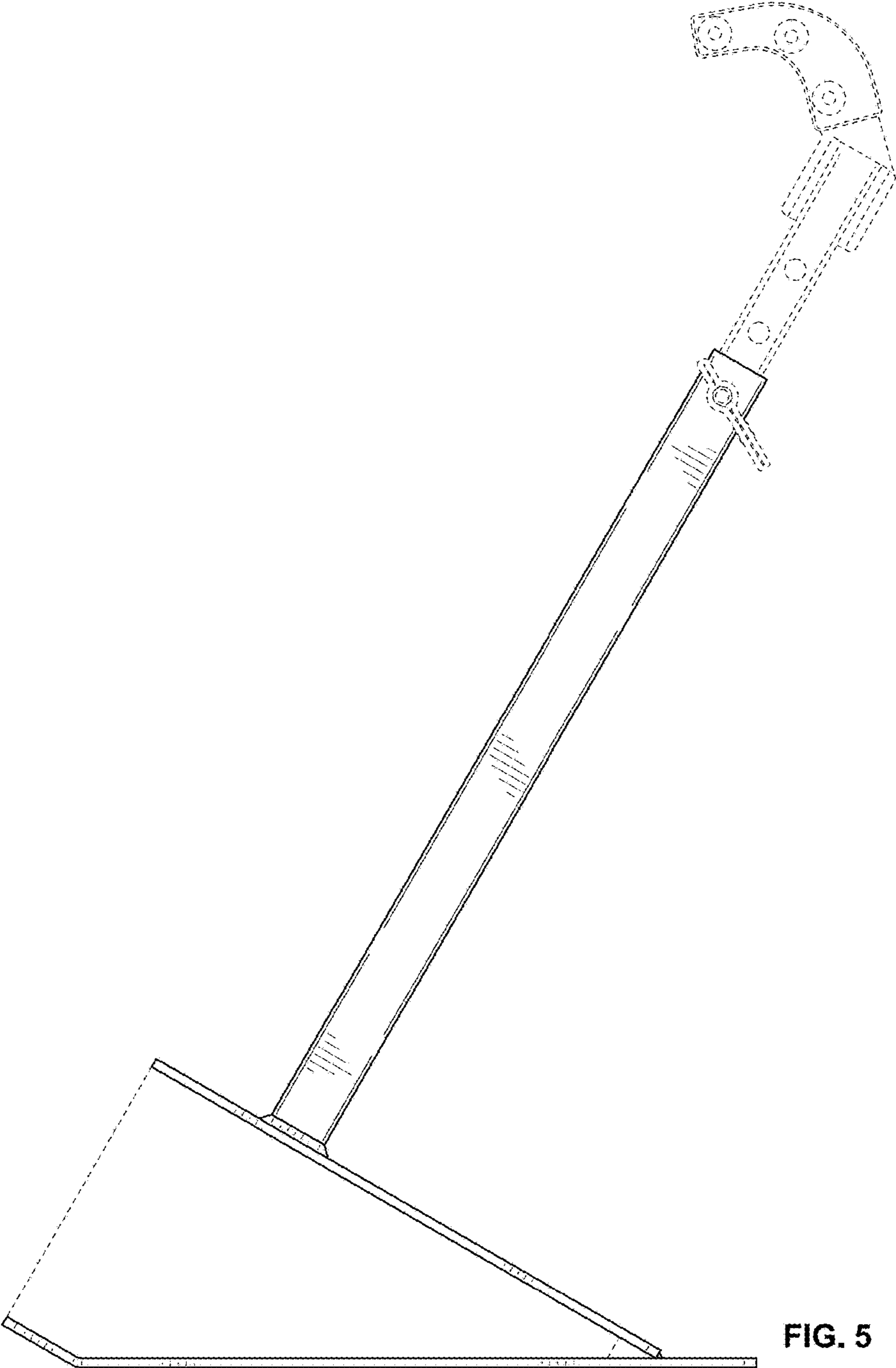
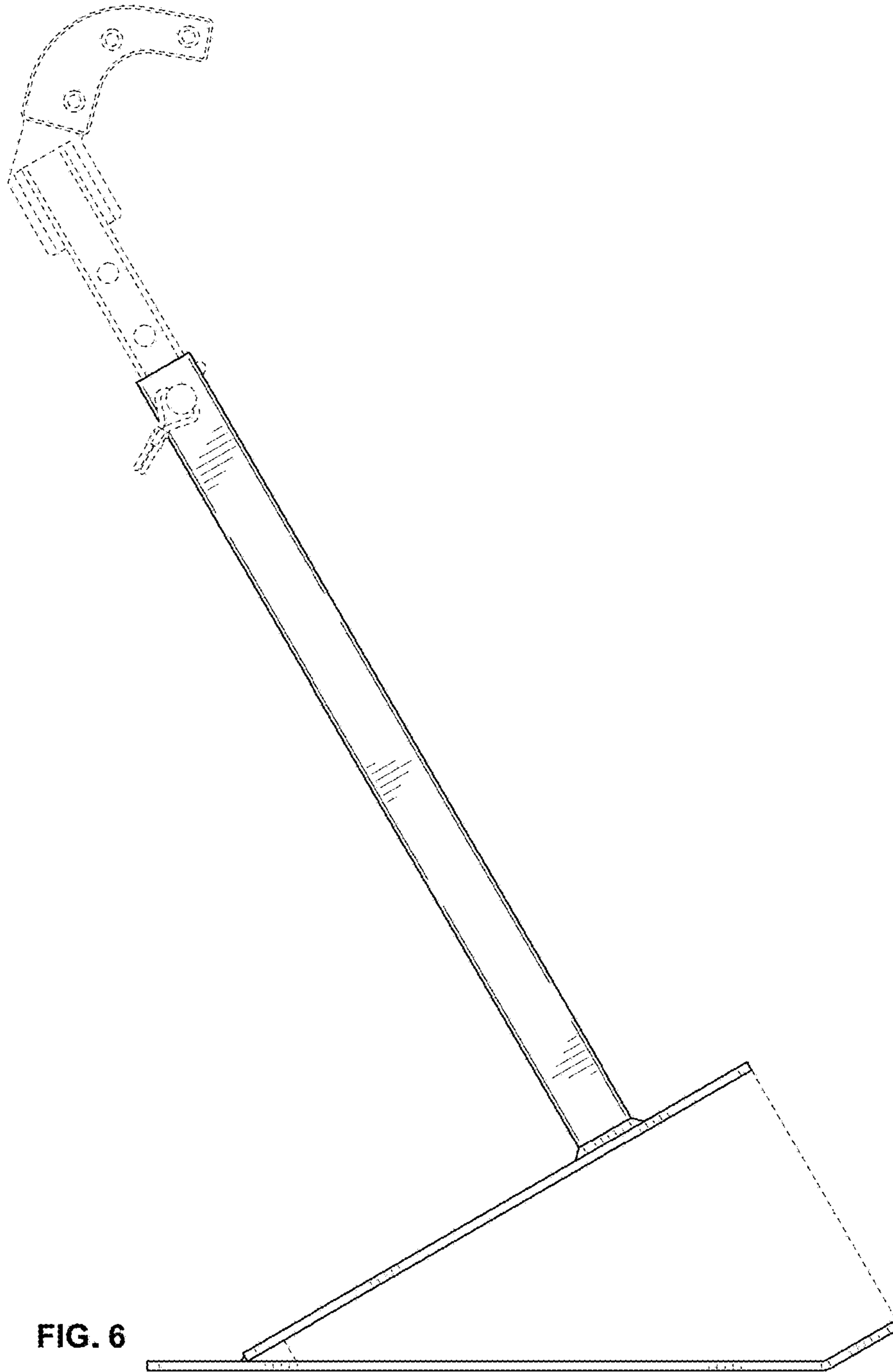


FIG. 5



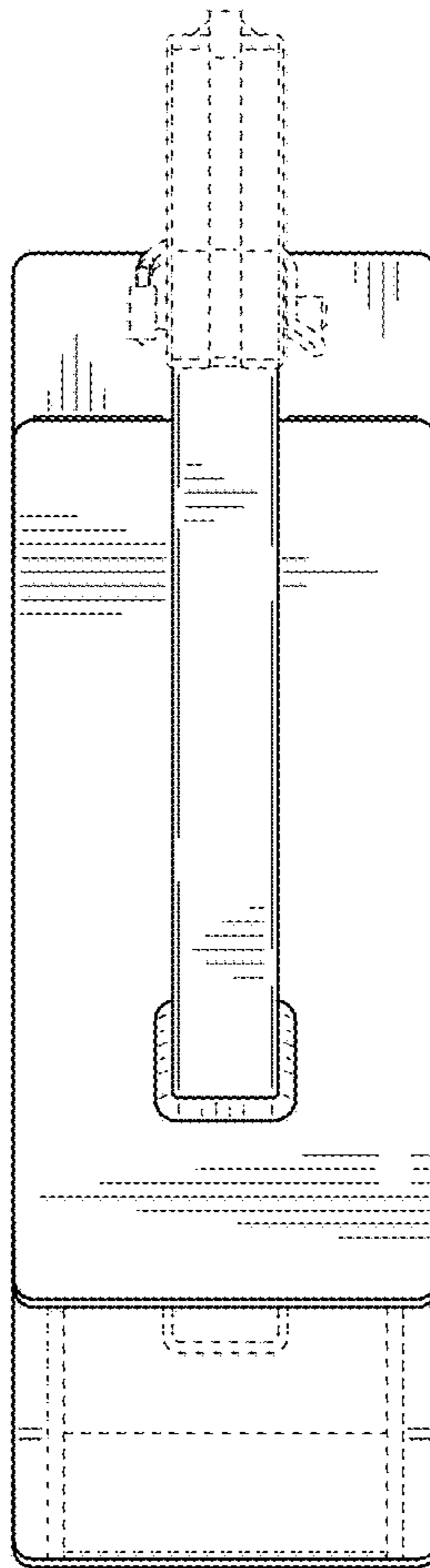


FIG. 7

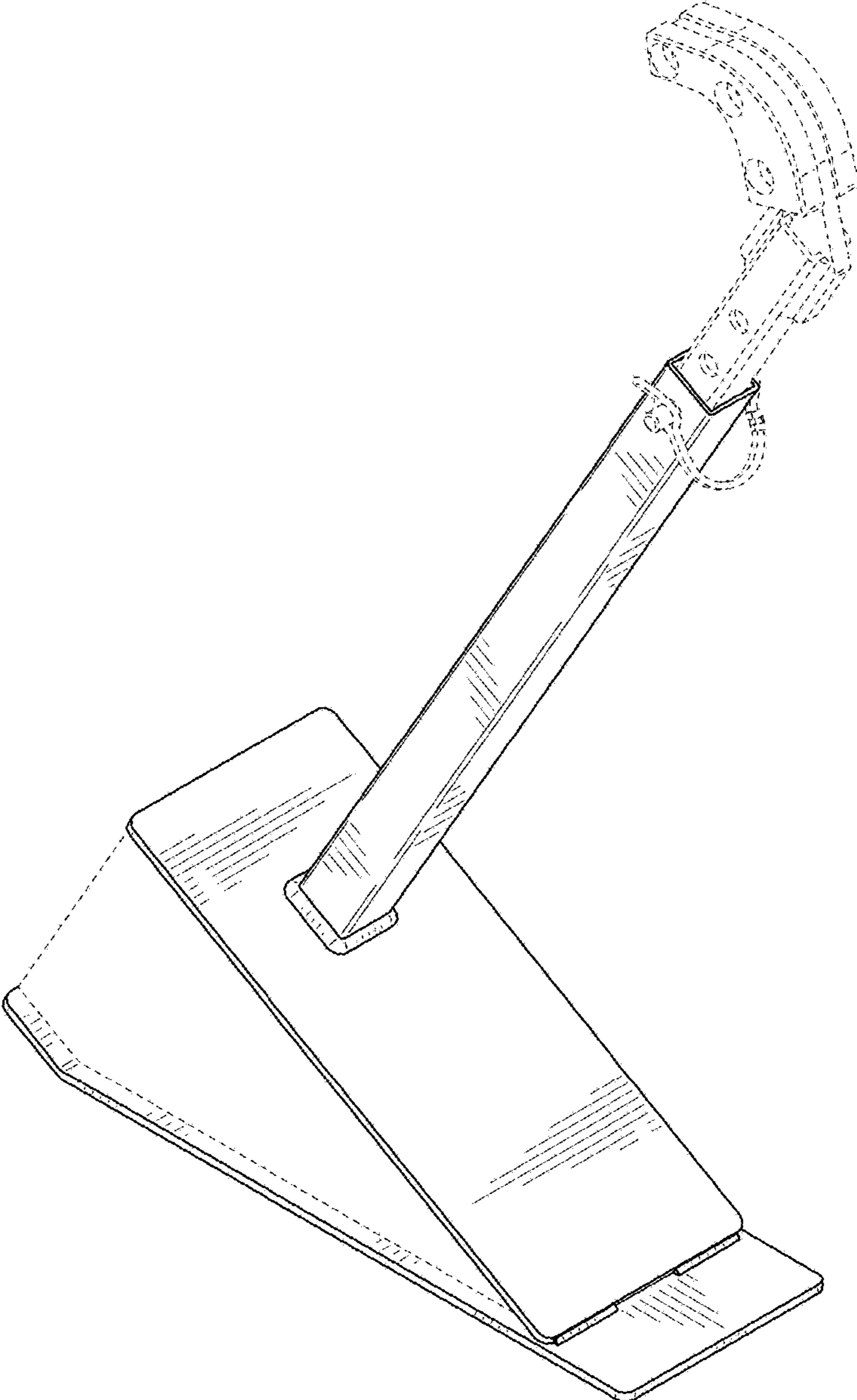


FIG. 8