



US00D855127S

(12) **United States Design Patent** (10) **Patent No.:** **US D855,127 S**
Lucas (45) **Date of Patent:** **** Jul. 30, 2019**

(54) **HAND EXERCISER**

(71) Applicant: **Stephen Lucas**, Lihue, HI (US)

(72) Inventor: **Stephen Lucas**, Lihue, HI (US)

(**) Term: **15 Years**

(21) Appl. No.: **29/621,267**

(22) Filed: **Oct. 6, 2017**

(51) **LOC (11) Cl.** **21-02**

(52) **U.S. Cl.**

USPC **D21/684**

(58) **Field of Classification Search**

USPC 73/379.01, 379.02; 482/44, 47, 48, 49,
482/121, 122, 129; D29/113; D21/662,
D21/684, 692, 694; D24/133, 214

CPC A63B 23/16; A63B 21/05; A63B 21/4025
See application file for complete search history.

(56) **References Cited**

U.S. PATENT DOCUMENTS

1,623,869	A	4/1927	Armando	
4,711,445	A	12/1987	Whitehead	
D294,614	S *	3/1988	Ditsch	D21/684
D325,411	S *	4/1992	Everly	D21/684
5,125,878	A *	6/1992	Wingate	A63B 23/16 482/121
5,160,304	A *	11/1992	Van Der Hoeven	A63B 21/0004 482/121
D343,880	S *	2/1994	Shelton	D21/678
D352,754	S *	11/1994	Silagy	D21/684
D359,779	S *	6/1995	Peters	D21/684
5,431,611	A *	7/1995	Silagy	A63B 23/16 482/122
D385,319	S	10/1997	Lucas	
D416,299	S *	11/1999	Hug	D21/684
D487,123	S *	2/2004	Ihli	D21/662
D583,884	S *	12/2008	Zickert	D21/684
D628,249	S	11/2010	Wu	
D683,804	S *	6/2013	Huang	D21/684

D721,144	S *	1/2015	Goldberg	D21/684
D732,615	S *	6/2015	Goldberg	D21/684
D732,616	S *	6/2015	Goldberg	D21/684
D733,227	S *	6/2015	Goldberg	D21/684
D733,228	S *	6/2015	Goldberg	D21/684
D733,229	S *	6/2015	Goldberg	D21/684
9,700,758	B1 *	7/2017	Goldberg	A63B 23/16
D794,808	S *	8/2017	Sorbel	D21/684
D799,611	S *	10/2017	Charles	D21/684
D827,736	S *	9/2018	Meyer	D21/684
D831,759	S *	10/2018	Cerreta	D21/684

(Continued)

OTHER PUBLICATIONS

US Trademark Serial Number 87556381; Mark—The Tinker Thinker
Filing date: Aug. 4, 2017.

(Continued)

Primary Examiner — Cynthia Ramirez

Assistant Examiner — Michael A Maharajh

(74) *Attorney, Agent, or Firm* — LegalForce RAPC
Worldwide

(57) **CLAIM**

The ornamental design for a hand exerciser, as shown and described.

DESCRIPTION

FIG. 1 is a top left perspective view for a hand exerciser, showing my new design;

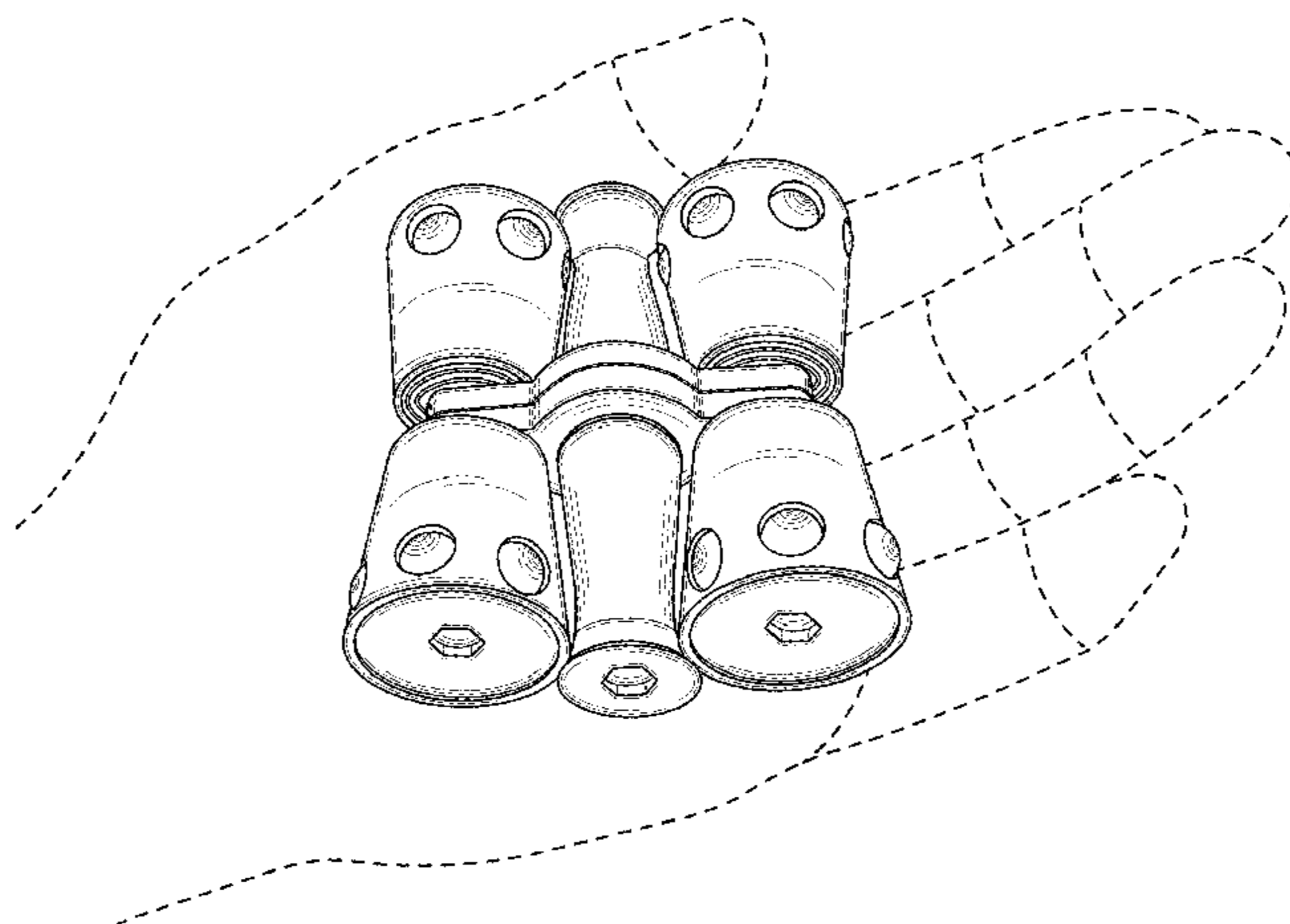
FIG. 2 is a front elevational view of FIG. 1 thereof, the rear elevational view being a mirror image;

FIG. 3 is a left side elevational view of FIG. 1 thereof, the right side elevational view being a mirror image; and,

FIG. 4 is a top plan view of FIG. 1 thereof, the bottom plan view being a mirror image.

The broken lines shown in FIG. 1 are for the purpose of illustrating environmental structure, which form no part of the claimed design.

1 Claim, 4 Drawing Sheets



(56)

References Cited

U.S. PATENT DOCUMENTS

2005/0059531 A1* 3/2005 Collier A63B 21/023
482/44
2009/0318269 A1* 12/2009 D'Addario A63B 21/023
482/47
2015/0190675 A1* 7/2015 Silagy A63B 23/16
482/47

OTHER PUBLICATIONS

“Hand-roller fidget toy”, by The Tinker Thinker, Found Online [Oct. 27, 2017] <http://nebula.wsimg.com/86d23f25f39b225b344469b629400552?AccessKeyId=69DFDA9E96458F2F3281&disposition=0&alloworigin=1>.
“Fidget Nyckelrings hand roller”, by Svart, Found Online [Oct. 27, 2017] https://malmoteknik.se/81890-large_default/fidget-nyckelrings-hand-roller---svart.jpg.
“Gencliq Fidget Spinner”, by Gencliq, Found Online [Oct. 27, 2017] <http://coupon99.net/wp-content/uploads/2017/06/fidget-spinner-metal-theessentials1-two-finger-gyro-ultra-durable-premium.jpg>.
“Fidget Spinner Stress Focus Toy”, by Little Hood, Found Online [Oct. 27, 2017] <https://i1.wp.com/www.voucherplus.in/wp-content/uploads/2017/05/fidget1.jpg?resize=500%2C500&ssl=1>.

* cited by examiner

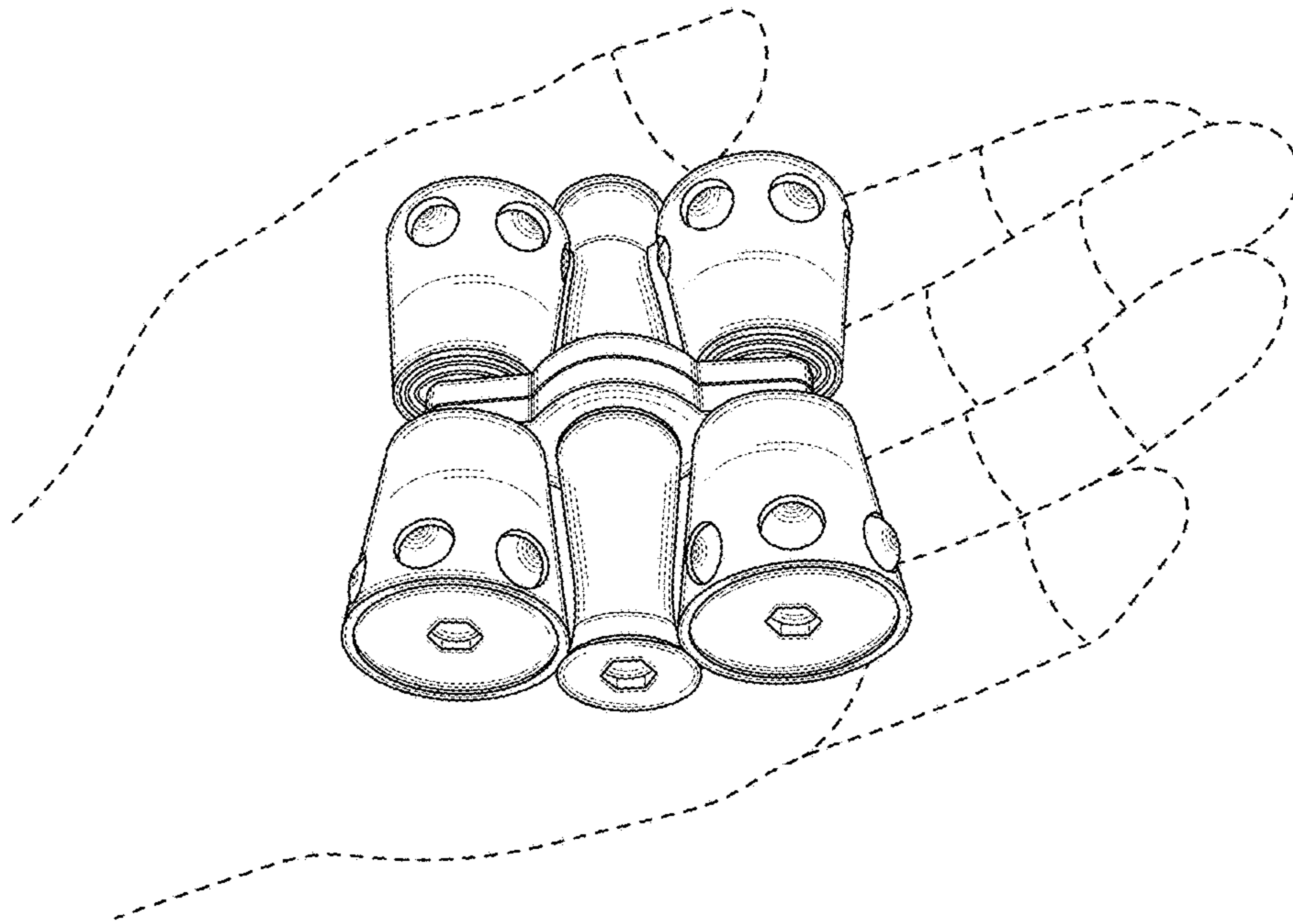


FIG. 1

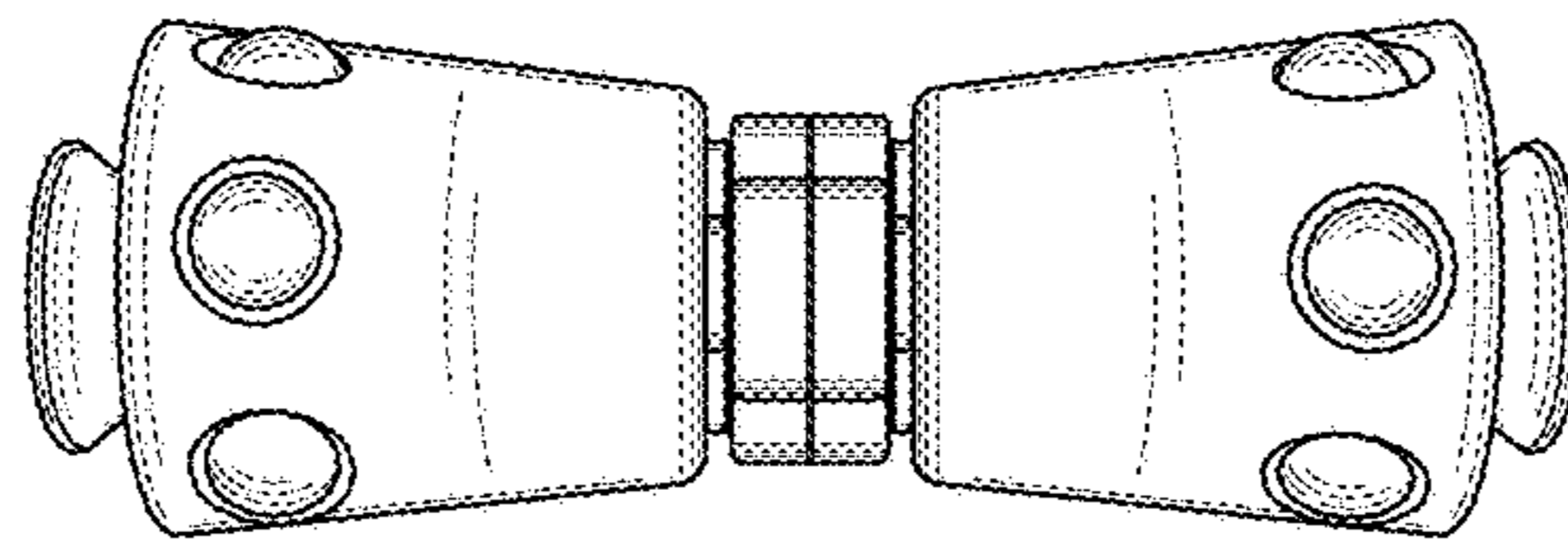


FIG. 2

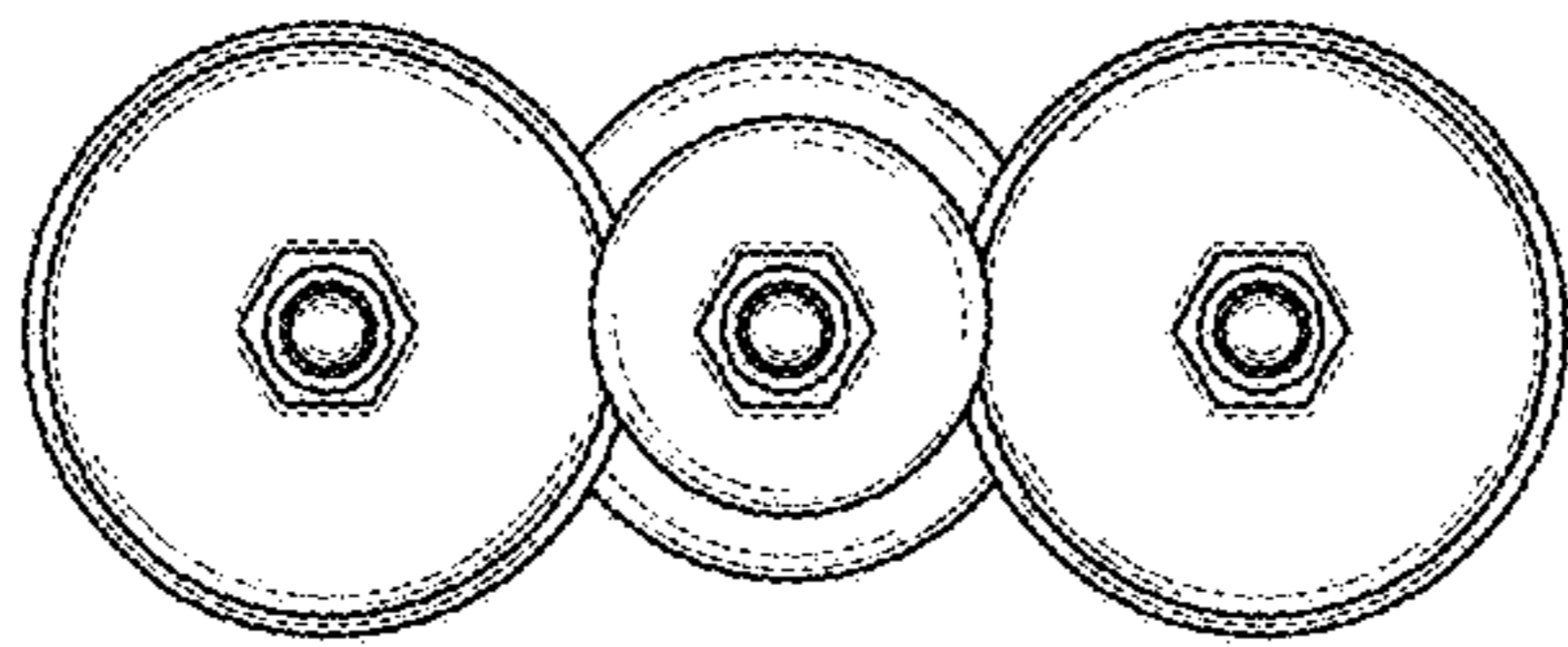


FIG. 3

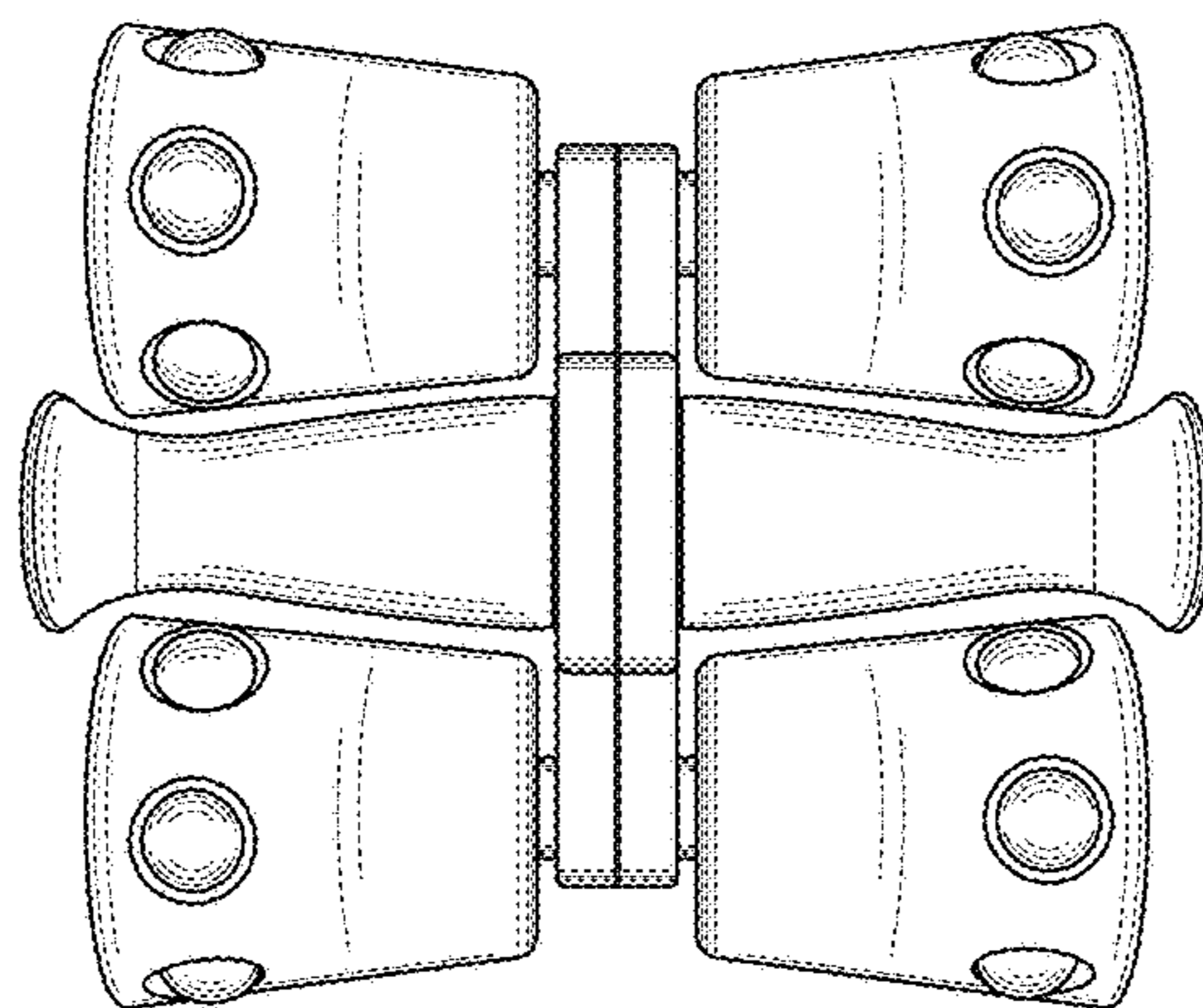


FIG. 4