



US00D855126S

(12) **United States Design Patent** (10) **Patent No.:** **US D855,126 S**  
**Kuka** (45) **Date of Patent:** **\*\* Jul. 30, 2019**

- (54) **REVOLVING PULLUP BAR**
- (71) Applicant: **MoveStrong Functional Fitness Equipment, LLC**, Chattanooga, TN (US)
- (72) Inventor: **Jared Kuka**, Chattanooga, TN (US)
- (73) Assignee: **MoveStrong Functional Fitness Equipment, LLC**, Chattanooga, TN (US)

D686,286	S	*	7/2013	Orakwusi	.....	D21/679
D748,744	S	*	2/2016	Hansen	.....	D21/679
D748,745	S	*	2/2016	Hansen	.....	D21/679
D764,607	S	*	8/2016	Beckford	.....	D21/679
9,427,611	B1	*	8/2016	Balentine	.....	A63B 1/00
2012/0115683	A1	*	5/2012	Ross	.....	A63B 21/1636
						482/38
2012/0115684	A1	*	5/2012	Nguyen	.....	A63B 21/1627
						482/40
2013/0040784	A1	*	2/2013	Gillespie	.....	A63B 1/00
						482/39

- (\*\*) Term: **15 Years**
- (21) Appl. No.: **29/622,705**
- (22) Filed: **Oct. 19, 2017**
- (51) **LOC (11) Cl.** ..... **21-02**
- (52) **U.S. Cl.**  
USPC ..... **D21/679**
- (58) **Field of Classification Search**  
USPC ..... 482/33, 38, 39, 40, 44, 45, 46, 47, 49,  
482/50, 51, 55, 91, 93, 104, 105, 106,  
482/108, 109, 121, 123, 126, 127, 139,  
482/141, 148; D21/662, 679, 680, 681,  
D21/686, 691, 692, 694, 797, 798  
CPC ..... A63B 21/0724; A63B 21/0728; A63B  
21/4017; A63B 21/0004; A63B 21/1627;  
A63B 1/00  
See application file for complete search history.

- (56) **References Cited**  
U.S. PATENT DOCUMENTS  
4,557,479 A \* 12/1985 Guibert ..... A63B 21/0004  
482/110  
6,179,748 B1 \* 1/2001 Barr ..... A63B 1/00  
482/38  
D554,209 S \* 10/2007 Loucks ..... D21/691  
D682,955 S \* 5/2013 Stephan ..... D21/679  
D685,865 S \* 7/2013 Kuhn ..... D21/679

**OTHER PUBLICATIONS**

Youtube (Applicant's page), "Movestrong Revolver Pull-Up Bar debuted", Jun. 8, 2017. <https://www.youtube.com/watch?v=BSG4pWEJABs>. Shown at the 00:31 minute mark. (Year: 2017).\*  
Movestrong (Applicant's website), "The Revolver Pullup Bar", Jun. 9, 2017. <http://www.movestrongfit.com/productnews/2017/6/9/the-revolver-pull-up-bar-now-available-for-nova-fts-and-pull-up-brackets>. Shown on pp. 2 and 3. (Year: 2017).\*

\* cited by examiner

*Primary Examiner* — Cynthia Ramirez  
*Assistant Examiner* — Michael A Maharajh  
(74) *Attorney, Agent, or Firm* — Patterson Intellectual Property Law, P.C.; Ryan D. Levy

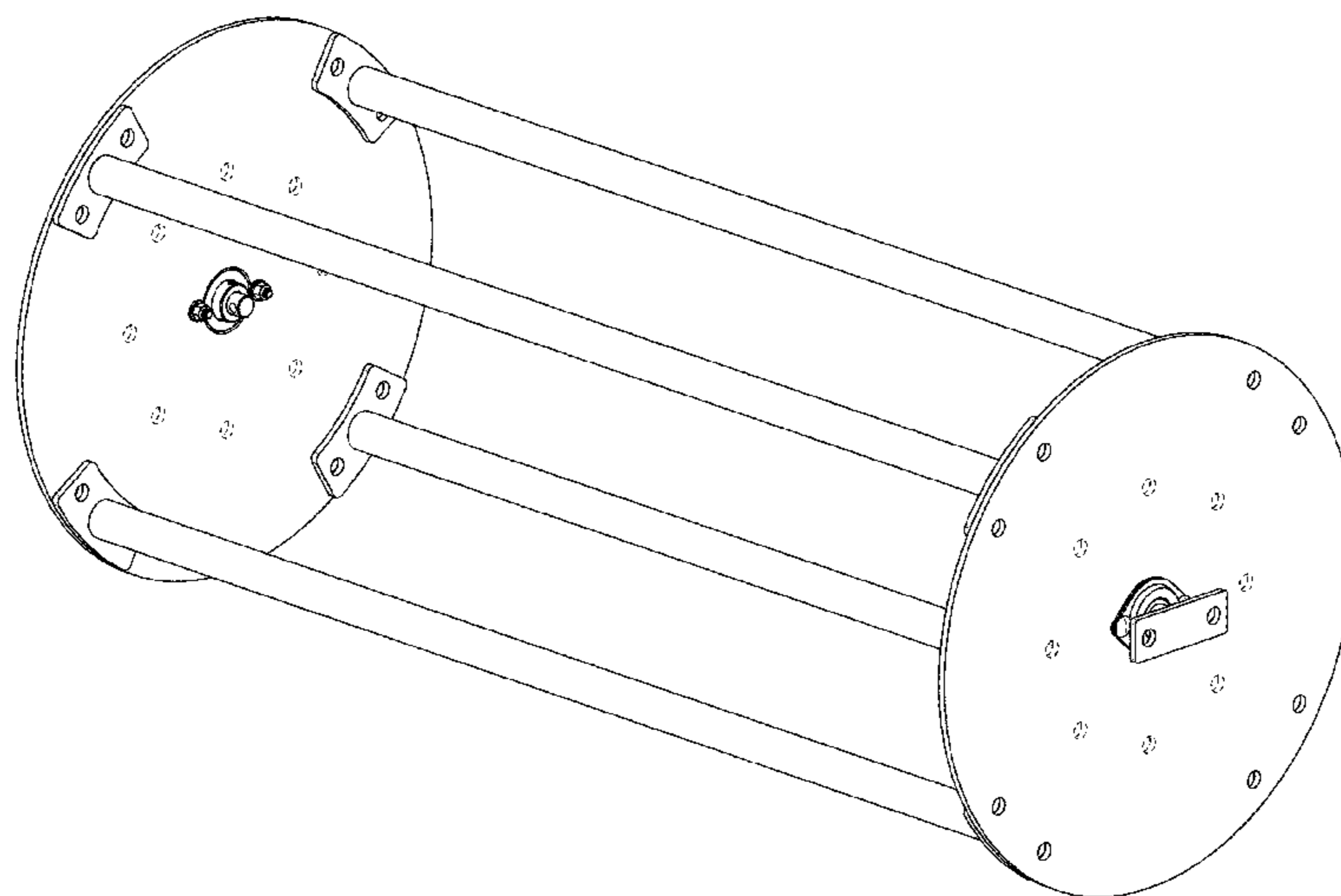
(57) **CLAIM**

What is claimed is the ornamental design for a revolving pullup bar, as shown and described.

**DESCRIPTION**

FIG. 1 is a front perspective view of a revolving pullup bar showing my new design.  
FIG. 2 is a front view thereof.  
FIG. 3 is a top view thereof; and,  
FIG. 4 is a right view thereof.

**1 Claim, 4 Drawing Sheets**



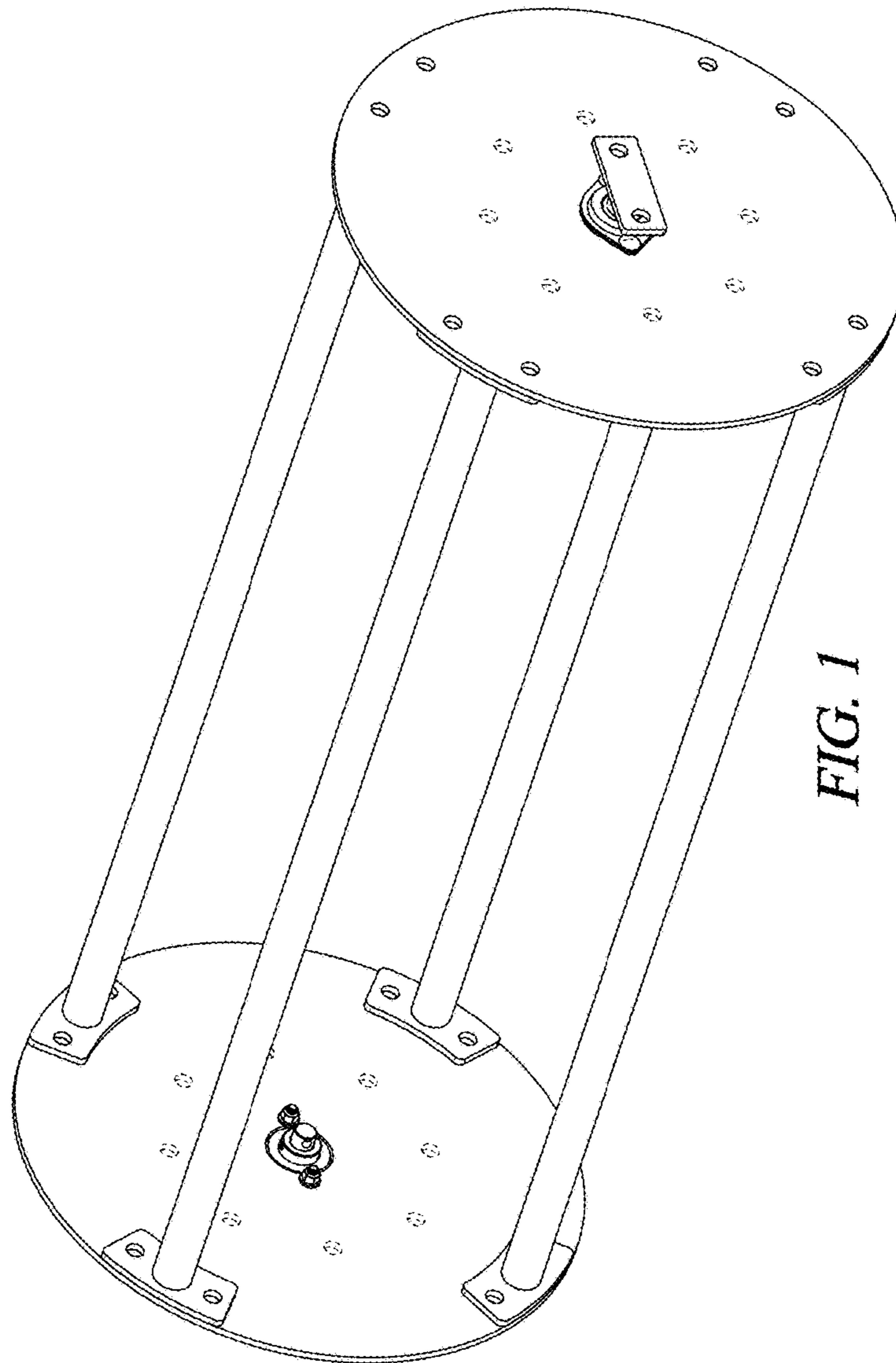


FIG. 1

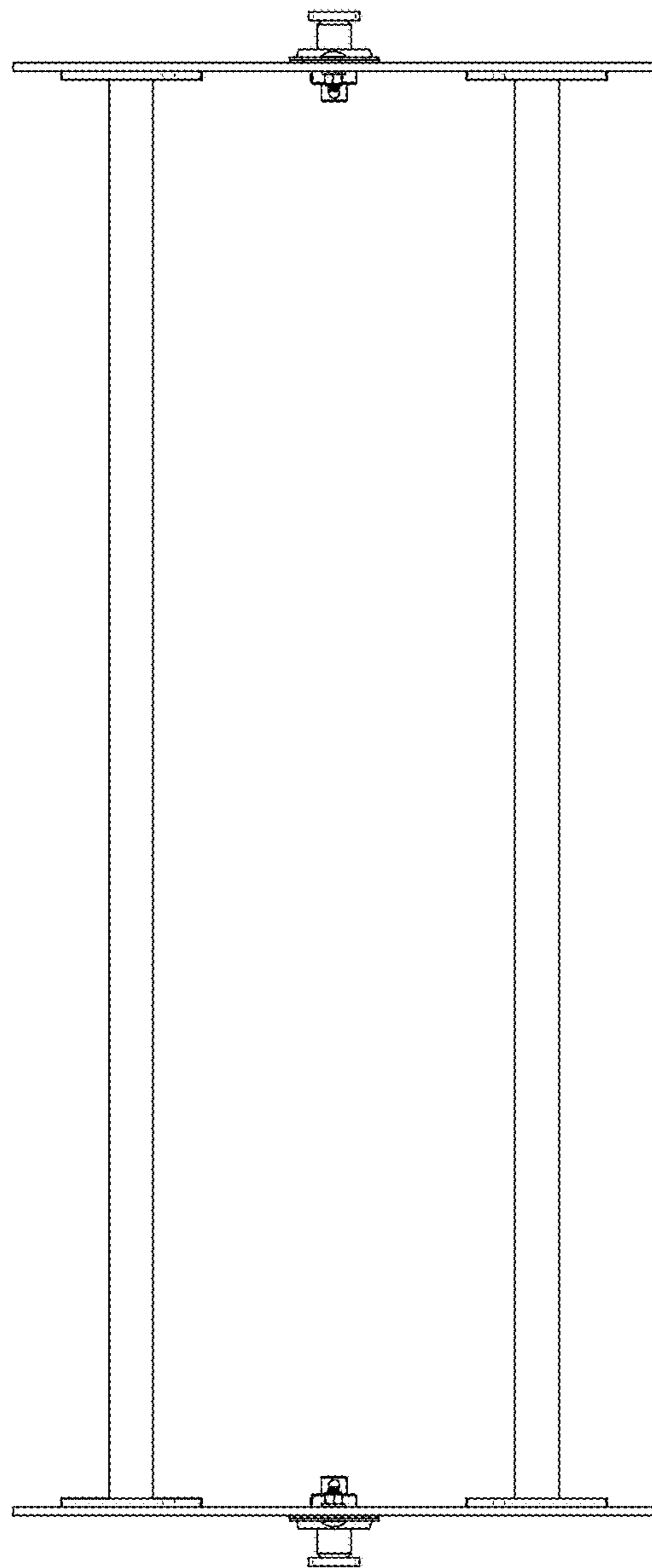


FIG. 2

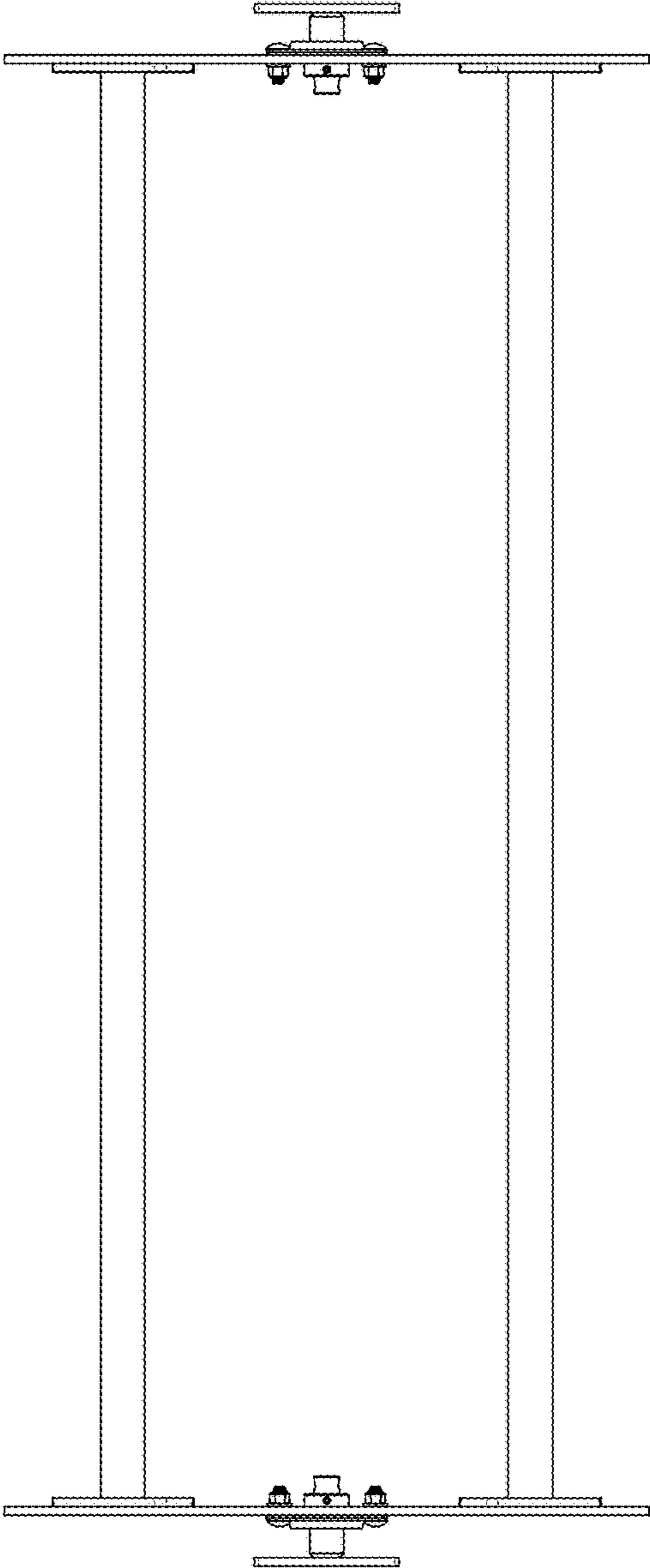
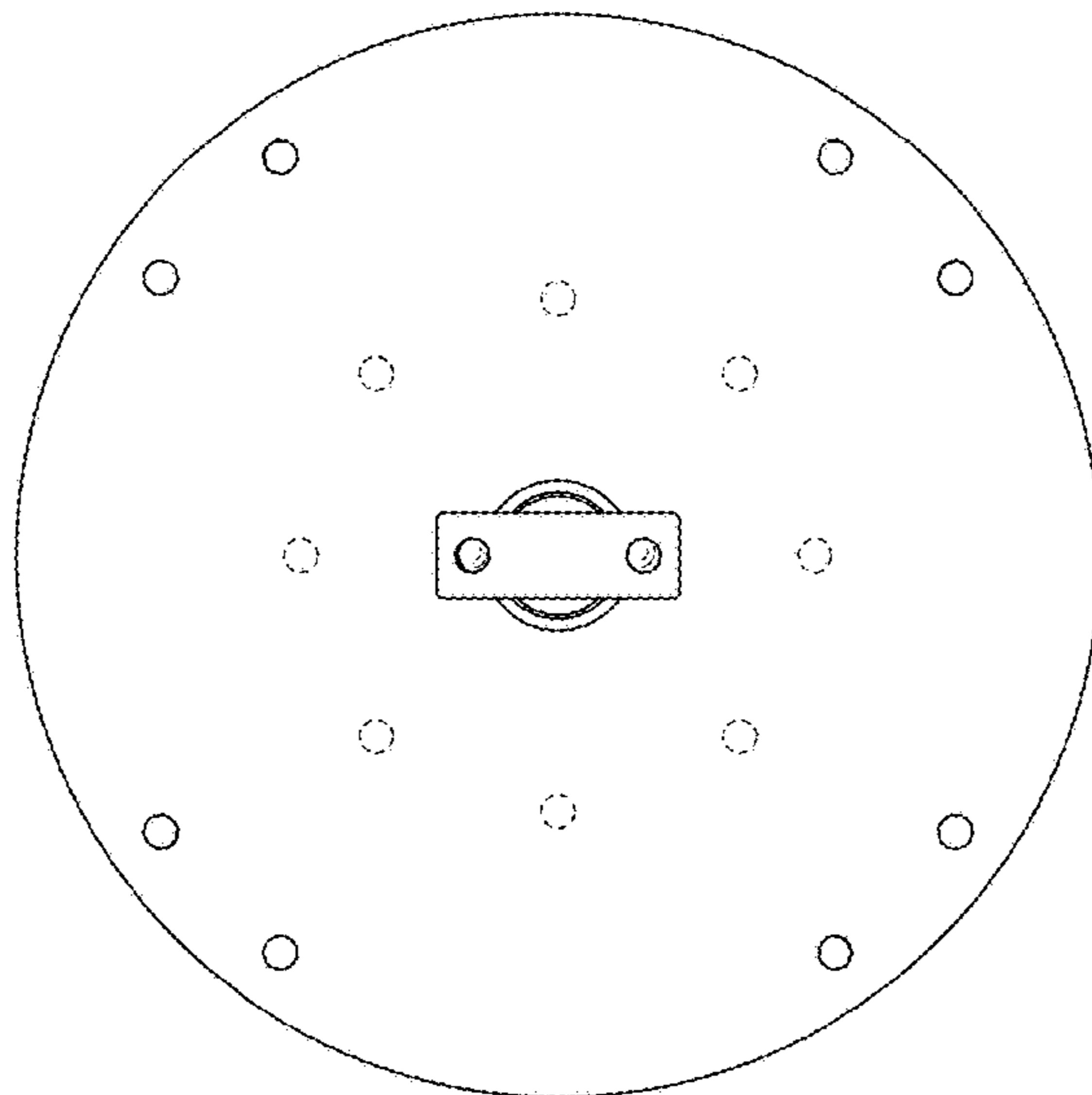


FIG. 3



*FIG. 4*