



US00D855121S

(12) **United States Design Patent**  
**Kim**

(10) **Patent No.:** **US D855,121 S**  
(45) **Date of Patent:** **\*\* Jul. 30, 2019**

(54) **PISTOL TOY**  
(71) Applicant: **Yong Chul Kim**, Seoul (KR)  
(72) Inventor: **Yong Chul Kim**, Seoul (KR)  
(\*\*) Term: **15 Years**  
(21) Appl. No.: **29/632,758**  
(22) Filed: **Jan. 9, 2018**

(30) **Foreign Application Priority Data**

Sep. 4, 2017 (KR) ..... 30-2017-0041160

(51) **LOC (11) Cl.** ..... **21-01**

(52) **U.S. Cl.**  
USPC ..... **D21/575; D21/567; D21/570; D21/574**

(58) **Field of Classification Search**  
USPC ..... D22/103, 107, 108; D21/567, 570, 573,  
D21/574, 575  
CPC ..... A63B 69/407; F41B 7/003; F41B 7/08;  
F41B 7/025  
See application file for complete search history.

(56) **References Cited**

**U.S. PATENT DOCUMENTS**

D286,308 S \* 10/1986 Mayer ..... D21/573  
D410,048 S \* 5/1999 Luk ..... D21/572  
D436,108 S \* 1/2001 Lee ..... D14/418  
D515,638 S \* 2/2006 Pflaumer ..... D21/574  
D521,568 S \* 5/2006 Hussaini ..... D14/418

D523,096 S \* 6/2006 Pflaumer ..... D21/573  
D524,871 S \* 7/2006 Nunokawa ..... D21/324  
D618,687 S \* 6/2010 Ito ..... D14/418  
D638,887 S \* 5/2011 En ..... D21/573  
D649,202 S \* 11/2011 En ..... D21/573  
D658,727 S \* 5/2012 Greiner ..... D21/570  
D660,920 S \* 5/2012 Johnson ..... D21/572  
D660,922 S \* 5/2012 Mead ..... D21/573  
D660,924 S \* 5/2012 Jablonski ..... D21/573  
D754,258 S \* 4/2016 Sakai ..... D14/418

\* cited by examiner

*Primary Examiner* — Robin V Webster

*Assistant Examiner* — Keith J Wilson

(74) *Attorney, Agent, or Firm* — Im IP Law; C. Andrew Im; Chai Im

(57) **CLAIM**

The ornamental design for a pistol toy, as shown and described.

**DESCRIPTION**

FIG. 1 is a perspective view of a pistol toy showing my new design;

FIG. 2 is a front view of the pistol toy thereof;

FIG. 3 is a rear view of the pistol toy thereof;

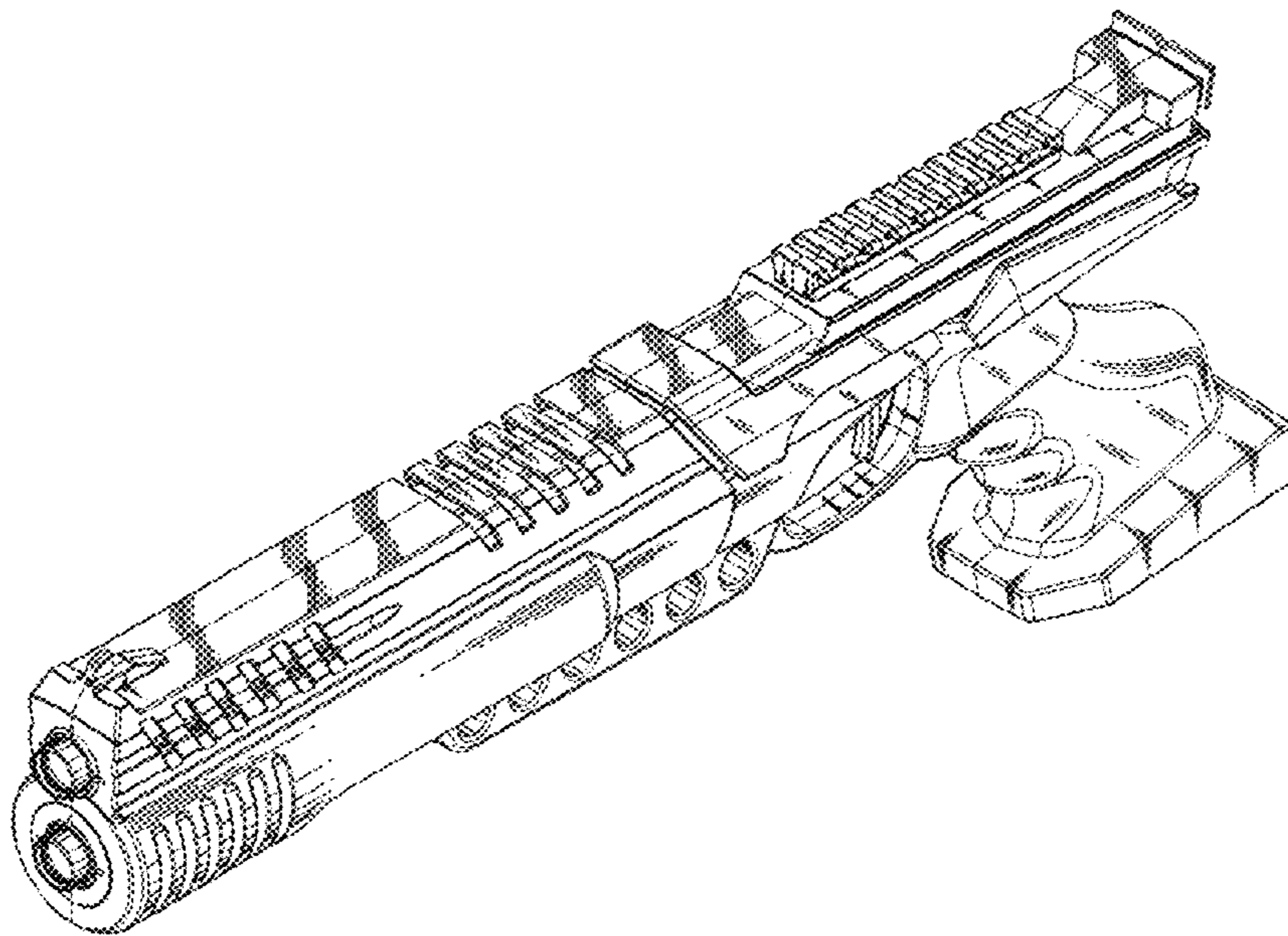
FIG. 4 is a left-side view of the pistol toy thereof;

FIG. 5 is a right-side view of the pistol toy thereof;

FIG. 6 is a top view of the pistol toy thereof; and,

FIG. 7 is a bottom view of the pistol toy thereof.

**1 Claim, 7 Drawing Sheets**



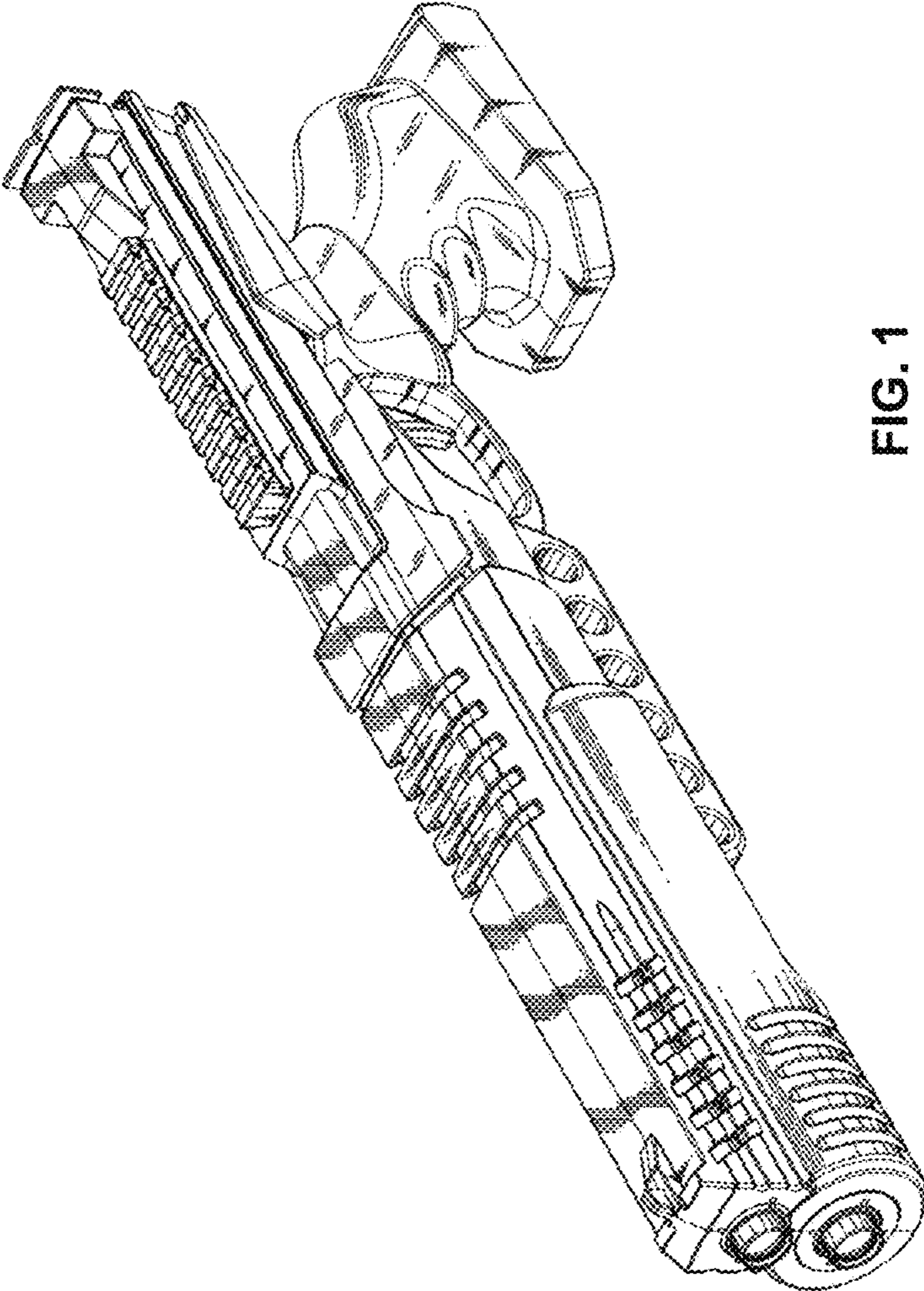


FIG. 1

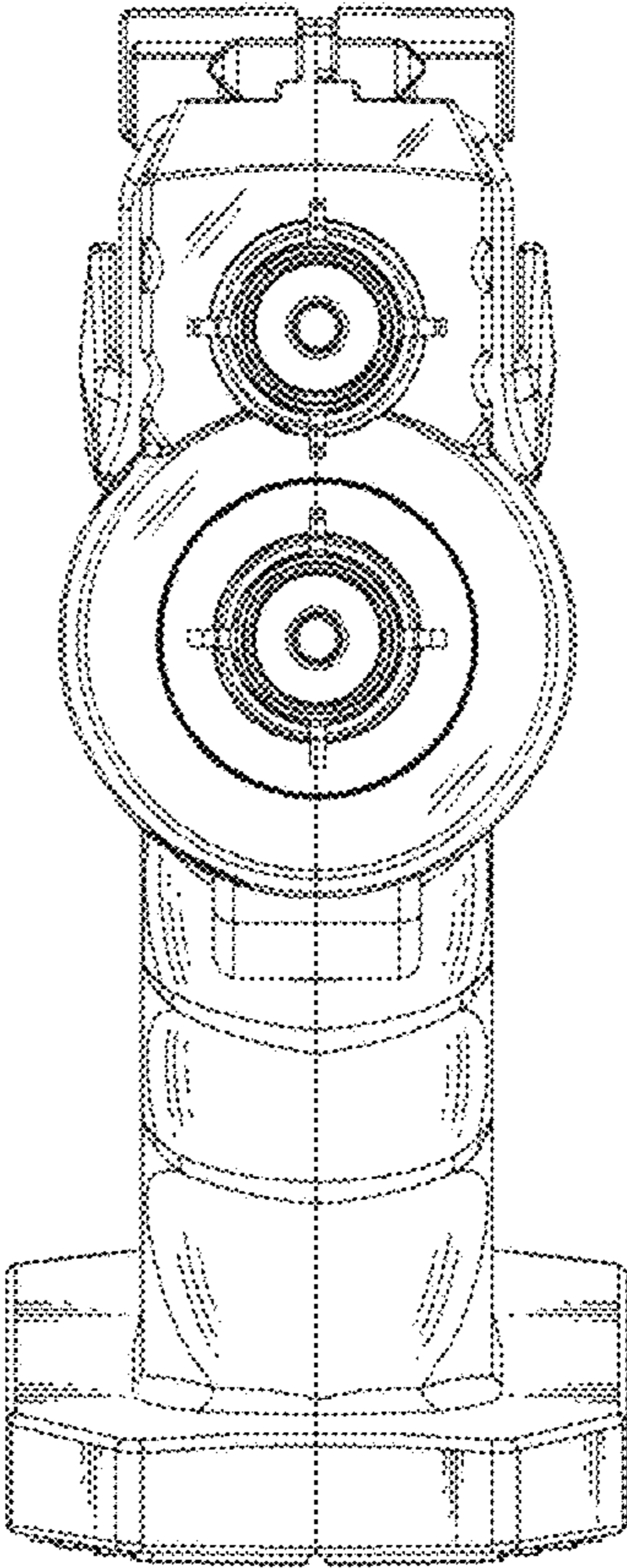


FIG. 2

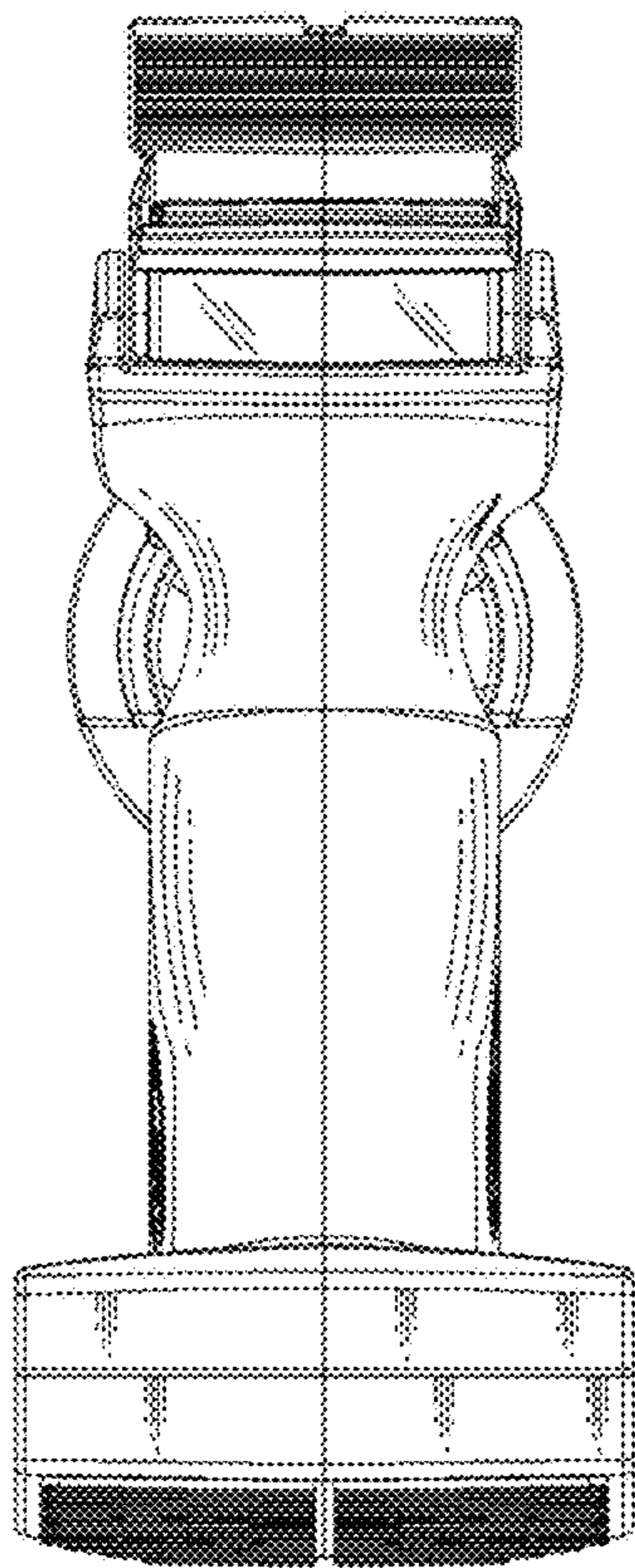


FIG. 3

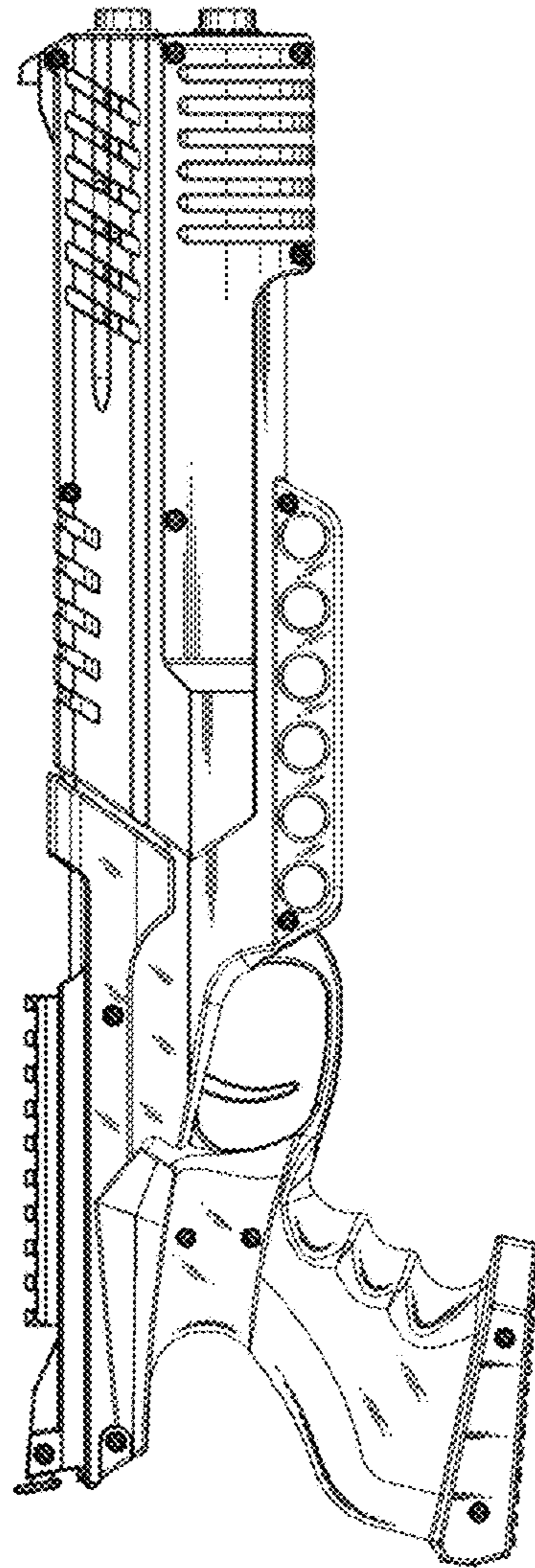


FIG. 4

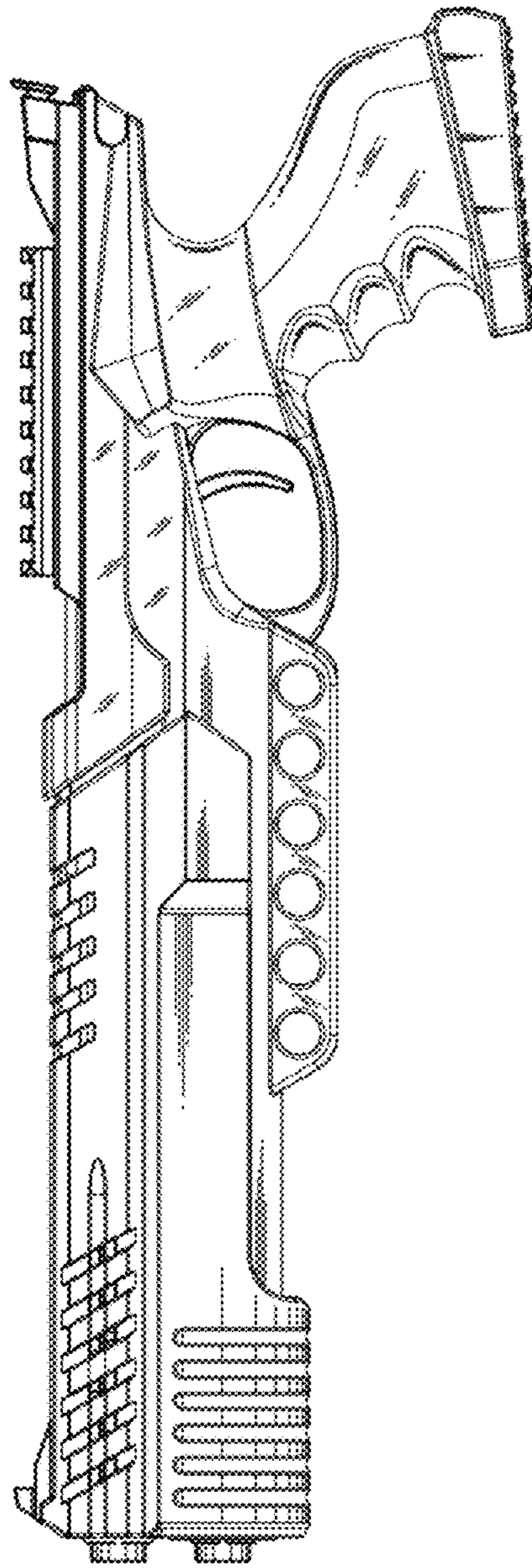


FIG. 5

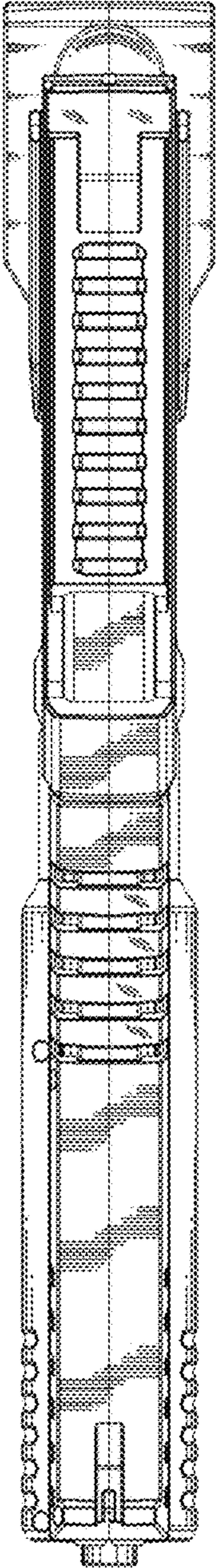


FIG. 6

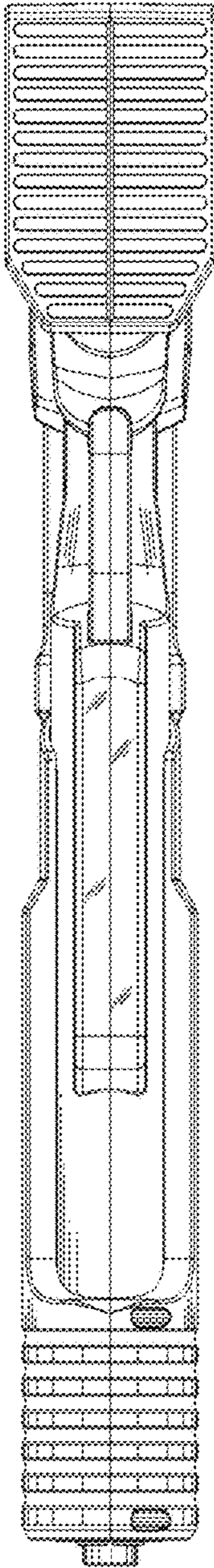


FIG. 7