



US00D855120S

(12) **United States Design Patent** (10) **Patent No.:** **US D855,120 S**  
**Millar et al.** (45) **Date of Patent:** **\*\* Jul. 30, 2019**

(54) **CURVED TRACK DESIGN**  
(71) Applicant: **Grow Solutions Tech LLC**, Lehi, UT (US)  
(72) Inventors: **Gary Bret Millar**, Highland, UT (US); **Mark Gerald Stott**, Eagle Mountain, UT (US); **Todd Garrett Tueller**, American Fork, UT (US); **Michael Stephen Hurst**, Farmington, UT (US); **Shane York**, Morgan, UT (US); **Taylor John Woodbury**, Provo, UT (US)

(73) Assignee: **GROW SOLUTIONS TECH LLC**, Vineyard, UT (US)  
(\*\*) Term: **15 Years**

(21) Appl. No.: **29/637,802**  
(22) Filed: **Feb. 22, 2018**  
(51) **LOC (11) Cl.** ..... **21-01**  
(52) **U.S. Cl.**  
USPC ..... **D21/565**; D21/564

(58) **Field of Classification Search**  
USPC ..... D21/484, 490, 493, 509, 564, 565, 802, D21/818, 821  
CPC ..... A63H 19/24; A63H 19/28; A63H 19/30; A63H 19/32; A63H 19/36; A63H 21/00; A63H 21/02; A63H 21/04; A63H 18/00; A63H 18/02; A63H 18/021; A63H 18/025; A63H 18/028; A63H 18/04; A63H 18/06; A63H 18/16; E01B 23/00; E01B 23/02; E01B 23/04; E01B 23/06  
See application file for complete search history.

(56) **References Cited**  
U.S. PATENT DOCUMENTS  
D203,937 S \* 3/1966 Dunbar ..... D21/564  
D246,196 S \* 10/1977 Suzuki ..... D21/564

D248,887 S \* 8/1978 Tanaka ..... D21/564  
D296,804 S \* 7/1988 Bach ..... D21/565  
D296,806 S \* 7/1988 Bach ..... D21/565  
D344,306 S \* 2/1994 Ruskai ..... D21/565  
D344,992 S \* 3/1994 Ruskai ..... D21/565  
D393,164 S 4/1998 Russell et al.  
D408,758 S 4/1999 Lussier  
D412,949 S \* 8/1999 Nielsen ..... D21/493  
D421,281 S \* 2/2000 Riley ..... D21/564  
D481,424 S \* 10/2003 Rothkopf ..... D21/565  
D493,849 S \* 8/2004 Elia ..... D21/565  
6,883,720 B2 \* 4/2005 D'Angelo, Jr. .... A63H 18/02 104/61  
D632,348 S \* 2/2011 McNutt ..... D21/565  
D640,333 S 6/2011 Beauregard et al.  
D644,696 S \* 9/2011 Mimlitch, III ..... D21/565  
D644,697 S \* 9/2011 Mimlitch, III ..... D21/565  
D645,913 S \* 9/2011 Beauregard ..... D21/565  
D651,661 S \* 1/2012 Yuen ..... D21/565

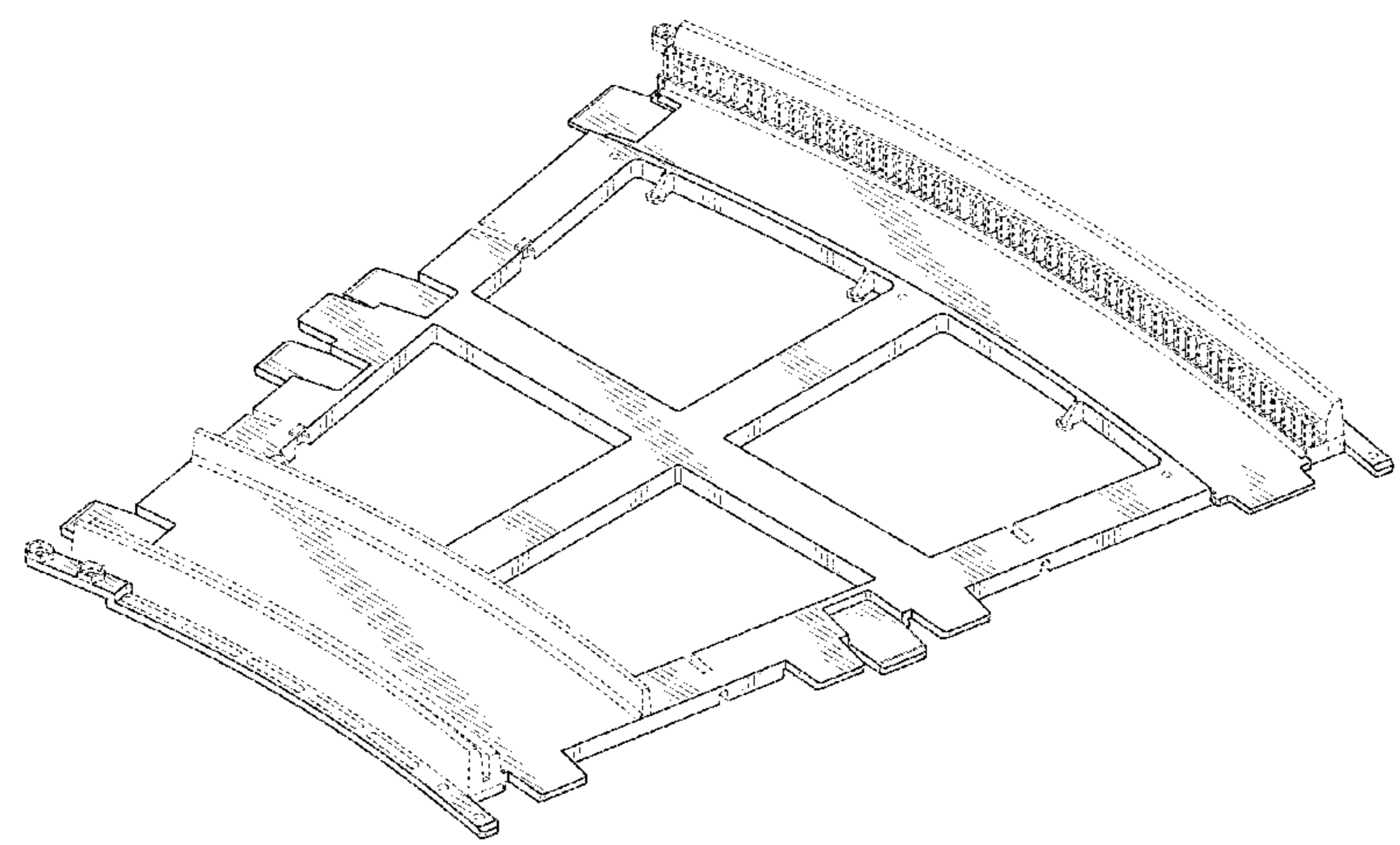
(Continued)

*Primary Examiner* — Robin V Webster  
*Assistant Examiner* — Keith J Wilson  
(74) *Attorney, Agent, or Firm* — Dinsmore & Shohl LLP

(57) **CLAIM**  
The ornamental design for a curved track design, as shown and described.

**DESCRIPTION**  
FIG. 1 is a top perspective view of a curved track design illustrating our new design;  
FIG. 2 is a bottom perspective view of thereof;  
FIG. 3 is a top view thereof;  
FIG. 4 is a bottom view thereof;  
FIG. 5 is a front view of thereof;  
FIG. 6 is a rear view thereof;  
FIG. 7 is a left side view thereof; and,  
FIG. 8 is a right side view thereof.  
The broken line representations in the figures show unclaimed environment, and thus form no part of the claimed design.

**1 Claim, 6 Drawing Sheets**



(56)

**References Cited**

U.S. PATENT DOCUMENTS

D660,379	S *	5/2012	Glickman .....	D21/565
D660,380	S *	5/2012	Glickman .....	D21/565
D689,141	S *	9/2013	Mimlitch, III .....	D21/565
D689,143	S *	9/2013	Mimlitch, III .....	D21/565
D689,144	S *	9/2013	Mimlitch, III .....	D21/565
D689,145	S *	9/2013	Mimlitch, III .....	D21/565
D689,959	S *	9/2013	Mimlitch, III .....	D21/565
D692,070	S *	10/2013	Mimlitch, III .....	D21/565
D707,757	S *	6/2014	Mimlitch, III .....	D21/565
D717,887	S *	11/2014	Edwards .....	D21/565
D725,718	S *	3/2015	Feit .....	D21/564
D726,835	S *	4/2015	Edwards .....	D21/565
D734,403	S *	7/2015	Womack .....	D21/565
D741,418	S *	10/2015	Beauregard .....	D21/565
D741,957	S *	10/2015	Beauregard .....	D21/565
D828,880	S *	9/2018	Tiffin .....	D21/564
D832,369	S *	10/2018	Johnson .....	D21/564
2008/0265049	A1 *	10/2008	Stadlbauer .....	A63H 18/02 238/10 F
2018/0128477	A1 *	5/2018	Balanchi .....	A63H 18/02

\* cited by examiner

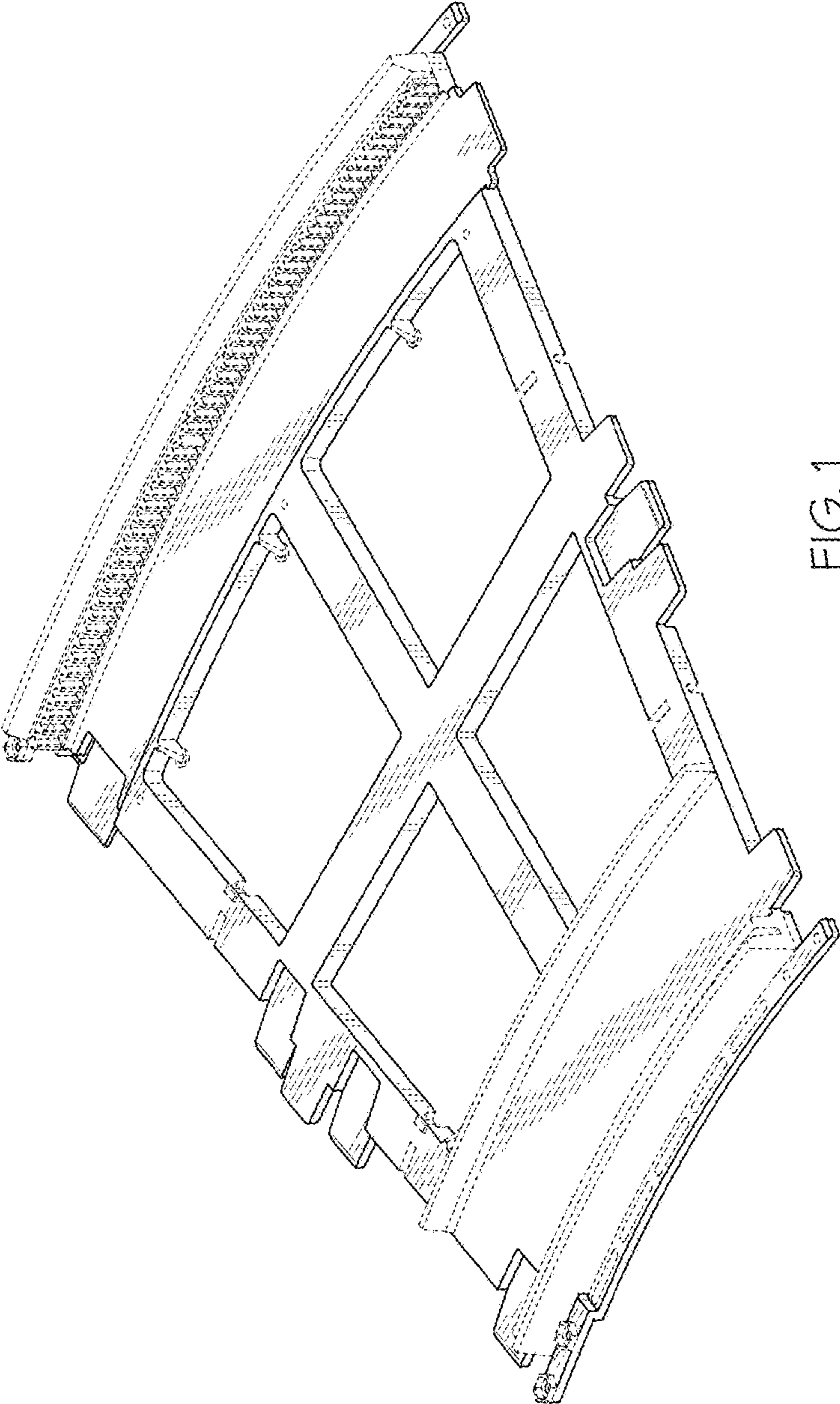


FIG. 1

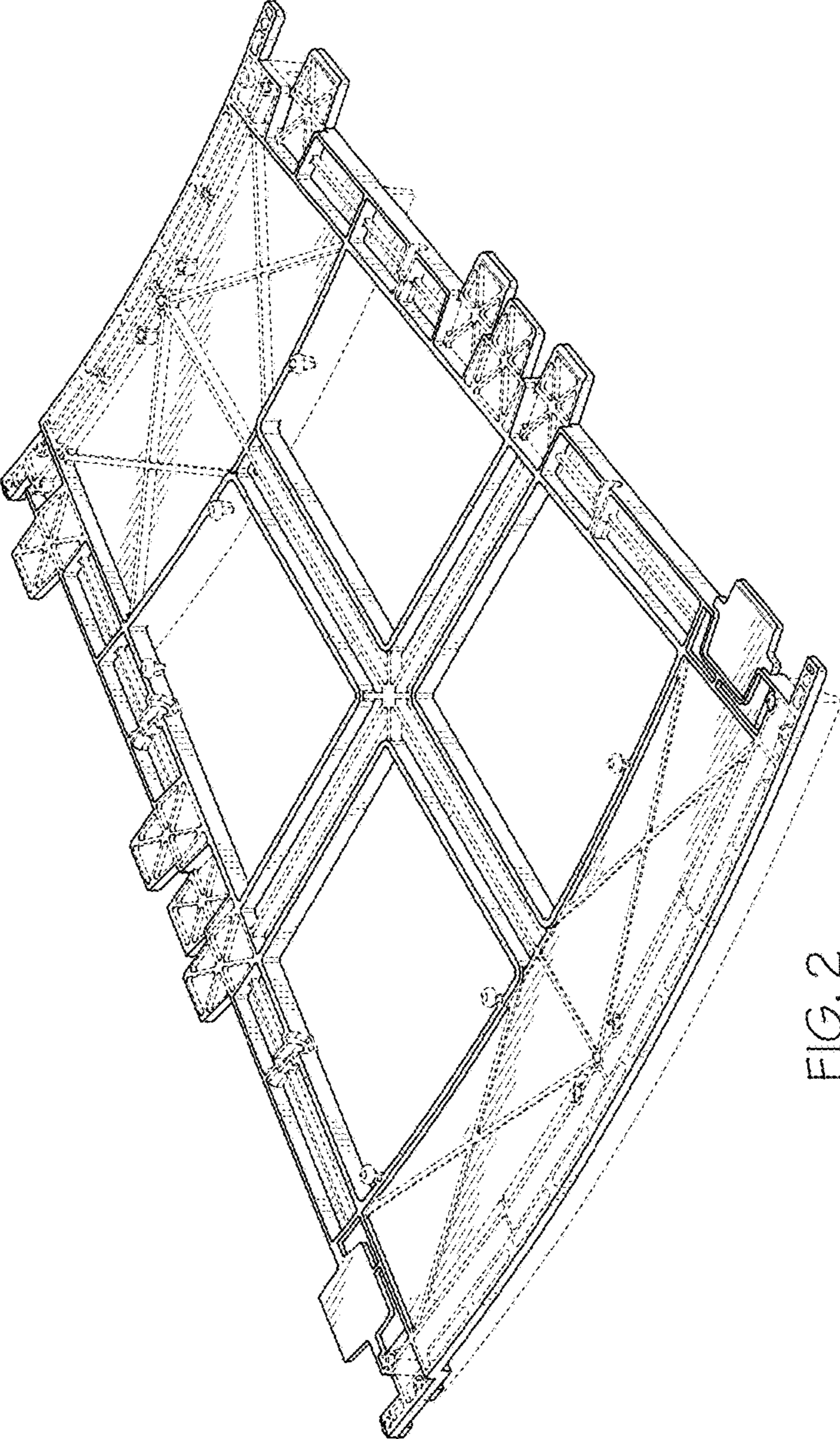


FIG. 2

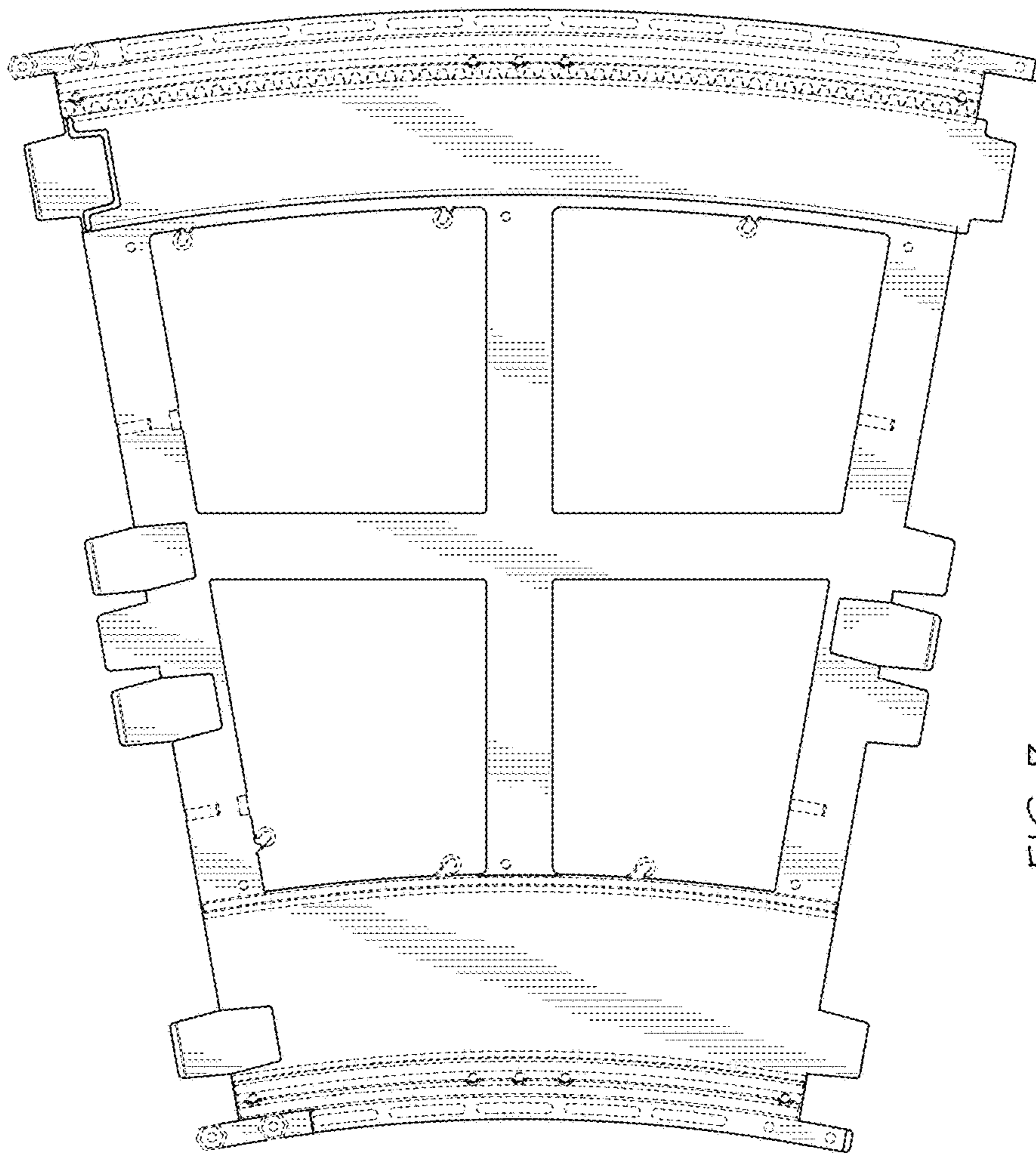


FIG. 3

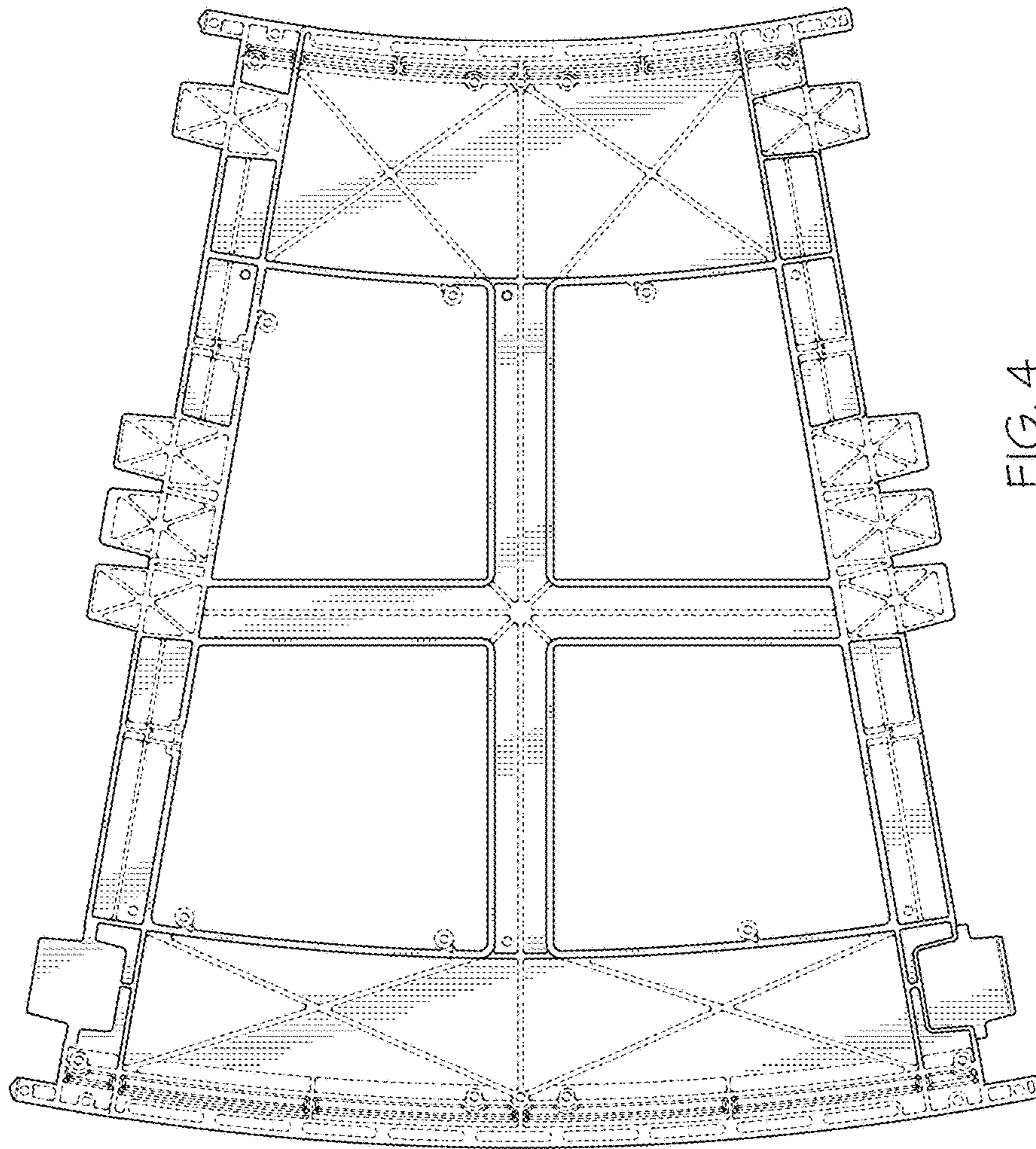


FIG. 4

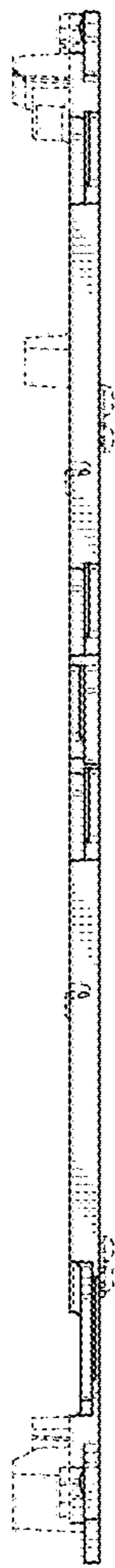


FIG. 5

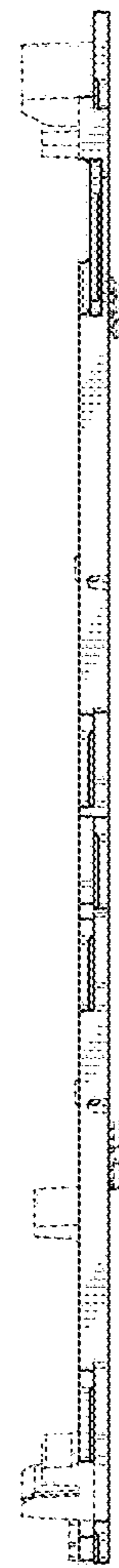


FIG. 6

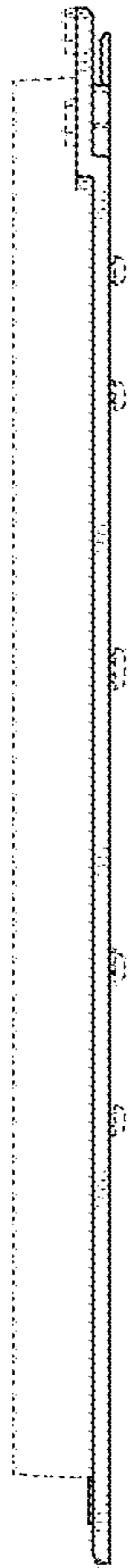


FIG. 7

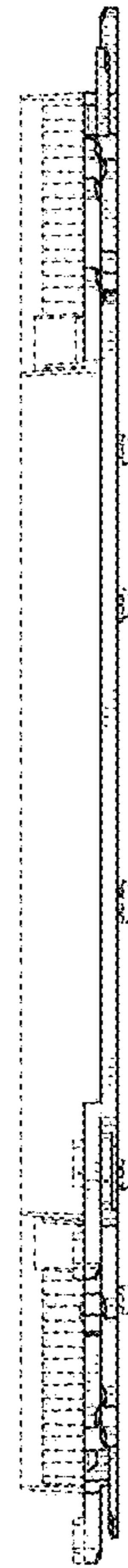


FIG. 8