



US00D855119S

(12) **United States Design Patent**
Saito et al.

(10) **Patent No.:** **US D855,119 S**
(45) **Date of Patent:** **** Jul. 30, 2019**

(54) **ACCESSORY FOR SPINNING TOP TOY**
(71) Applicant: **TOMY COMPANY, LTD.**, Tokyo (JP)
(72) Inventors: **Shina Saito**, Tokyo (JP); **Toshinobu Ishii**, Saitama (JP); **Asami Oba**, Tokyo (JP)
(73) Assignee: **TOMY COMPANY, LTD.**, Tokyo (JP)

(**) Term: **15 Years**

(21) Appl. No.: **29/644,665**

(22) Filed: **Apr. 19, 2018**

(30) **Foreign Application Priority Data**

Oct. 20, 2017 (JP) 2017-023265

(51) **LOC (11) Cl.** **21-01**

(52) **U.S. Cl.**
USPC **D21/460**

(58) **Field of Classification Search**
USPC D21/455-464; 446/236-266
CPC A63H 1/00-32
See application file for complete search history.

(56) **References Cited**

U.S. PATENT DOCUMENTS

9,597,604 B1 *	3/2017	Horikoshi	A63H 1/02
D820,919 S *	6/2018	Horikoshi	D21/460
D825,007 S *	8/2018	Muraki	D21/460
D825,670 S *	8/2018	Muraki	D21/460
D825,671 S *	8/2018	Horikoshi	D21/460
D825,673 S *	8/2018	Matsukawa	D21/460
D827,043 S *	8/2018	Muraki	D21/460
D827,044 S *	8/2018	Horikoshi	D21/460
D827,046 S *	8/2018	Horikoshi	D21/460

D834,102 S *	11/2018	Muraki	D21/460
D834,103 S *	11/2018	Horikoshi	D21/460
D835,208 S *	12/2018	Horikoshi	D21/460
D835,209 S *	12/2018	Hashiba	D21/460
D837,899 S *	1/2019	Narita	D21/460
D839,967 S *	2/2019	Horikoshi	D21/460
2003/0064660 A1 *	4/2003	Matsukawa	A63F 3/00895 446/256
2014/0302743 A1 *	10/2014	Cai	A63H 1/18 446/256

FOREIGN PATENT DOCUMENTS

CN	302362408	*	3/2013
CN	303863705	*	9/2016
CN	303863727	*	9/2016
CN	303970411	*	12/2016
CN	304306586	*	10/2017
CN	304401274	*	12/2017

(Continued)

Primary Examiner — Catherine A Tuttle
(74) *Attorney, Agent, or Firm* — Oliff PLC

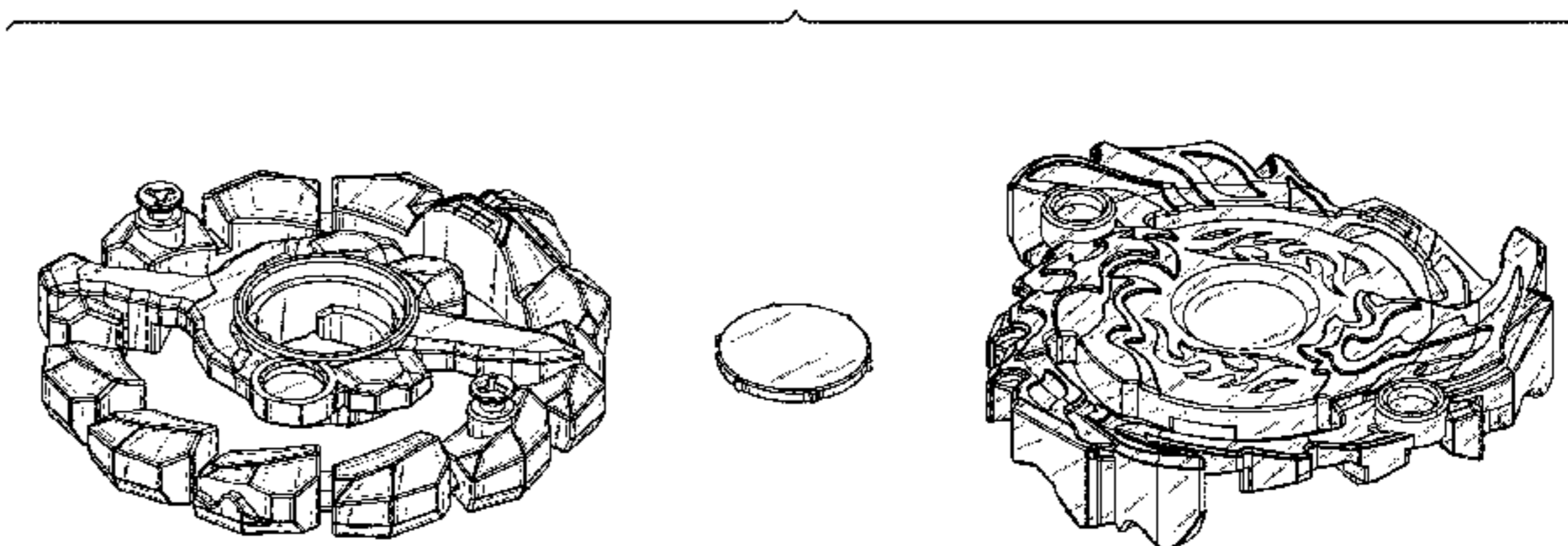
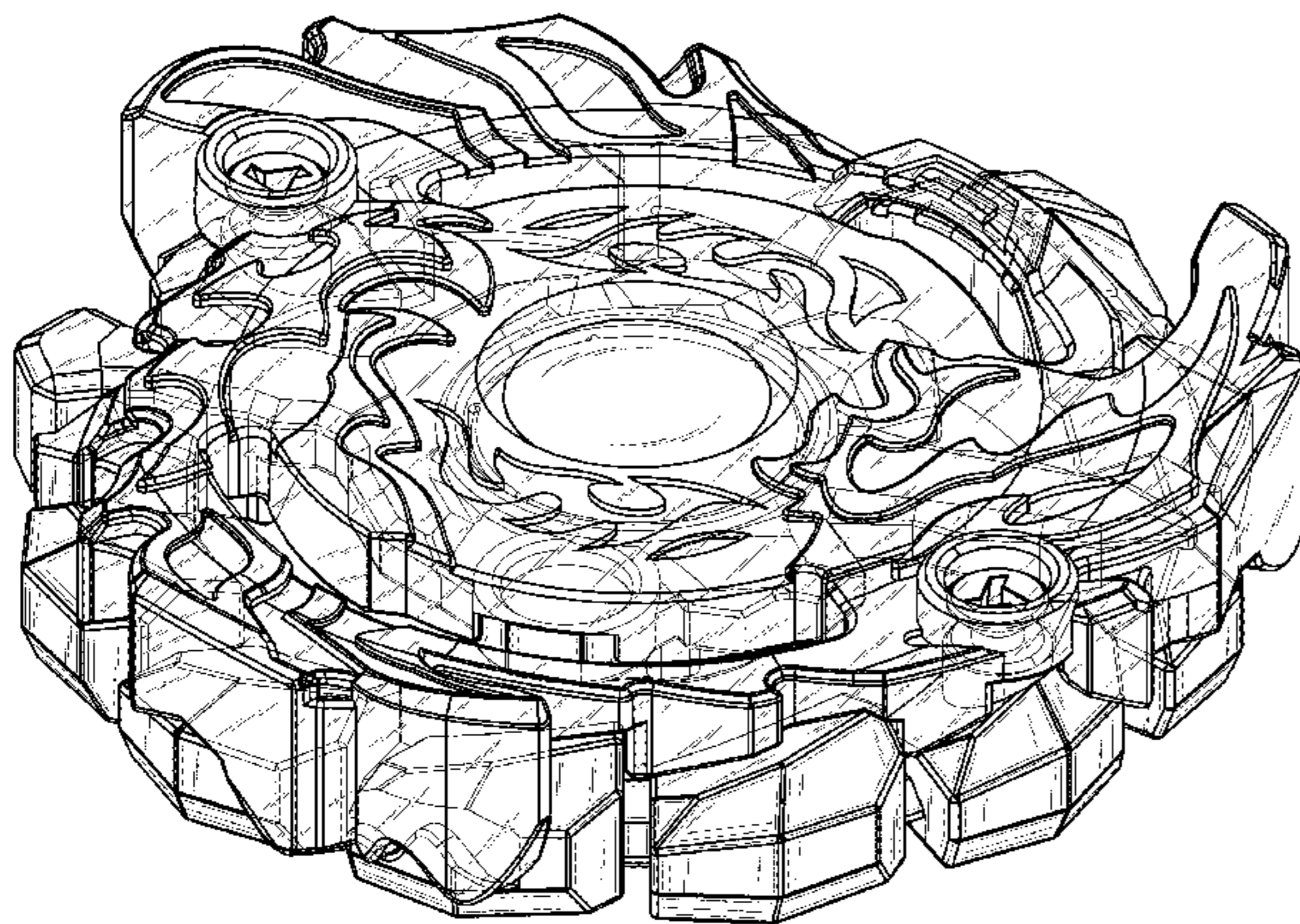
(57) **CLAIM**

The ornamental design for an accessory for spinning top toy, as shown and described.

DESCRIPTION

FIG. 1 is a front elevational view of the accessory for spinning top toy;
FIG. 2 is a left-side elevational view thereof;
FIG. 3 is a rear elevational view thereof;
FIG. 4 is a right-side elevational view thereof;
FIG. 5 is a top plan view thereof;
FIG. 6 is a bottom plan view thereof;
FIG. 7 is a front, top, right-side perspective view thereof;
FIG. 8 is a disassembled front, top, right-side perspective view thereof; and,
FIG. 9 is a disassembled rear, bottom and left-side perspective view thereof.

1 Claim, 9 Drawing Sheets



(56)

References Cited

FOREIGN PATENT DOCUMENTS

JP	3160657	U	*	7/2010	A63H	1/00
JP	6232112	B1	*	11/2017	A63H	1/04
JP	6258541	B1	*	1/2018	A63H	1/04
JP	2018007740	A	*	1/2018	A63H	1/02
WO	WO-2010151017	A2	*	12/2010	A63H	1/02
WO	D096791-004		*	1/2018			

* cited by examiner

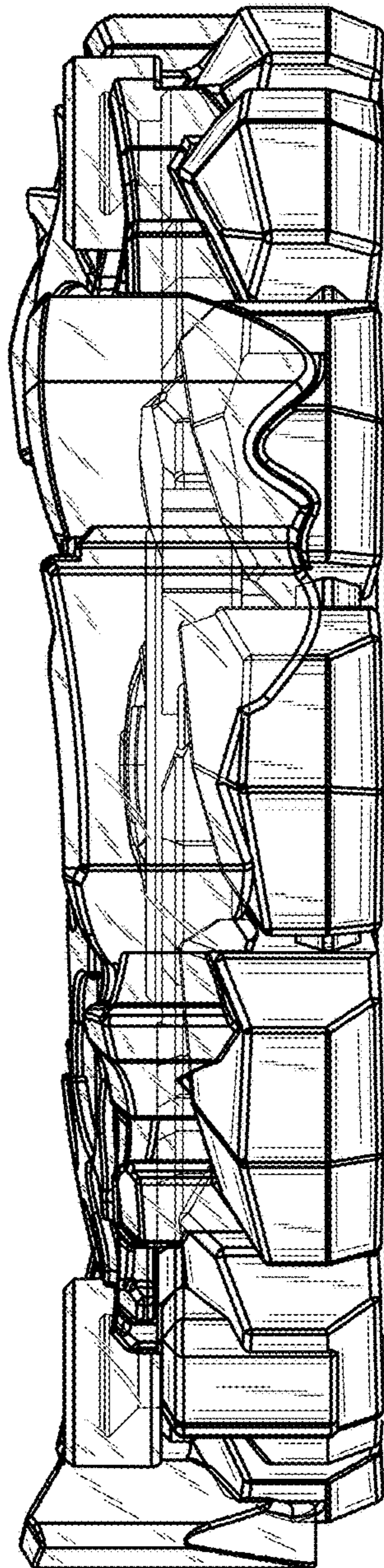


FIG. 1

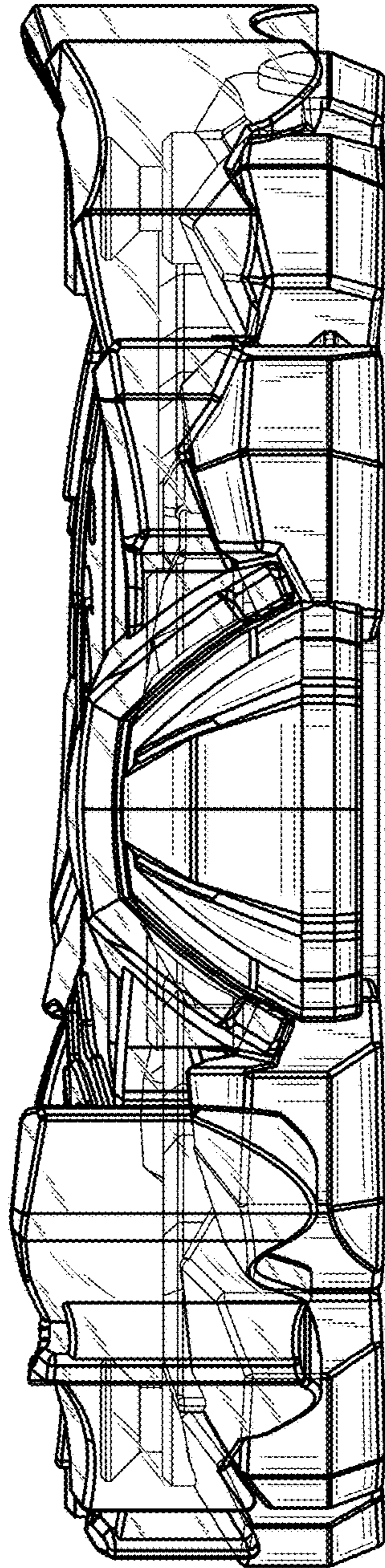


FIG. 2

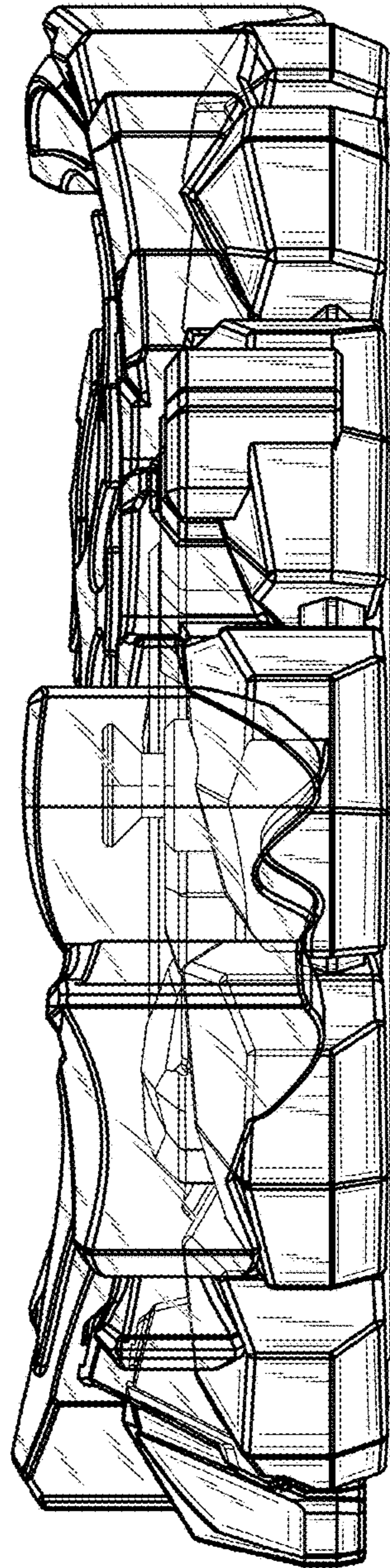


FIG. 3

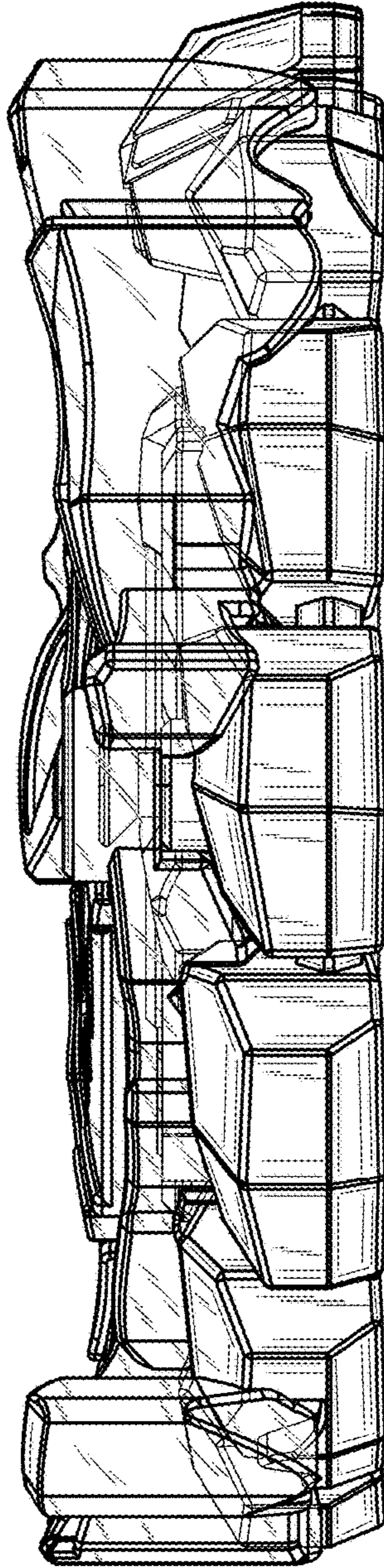


FIG. 4

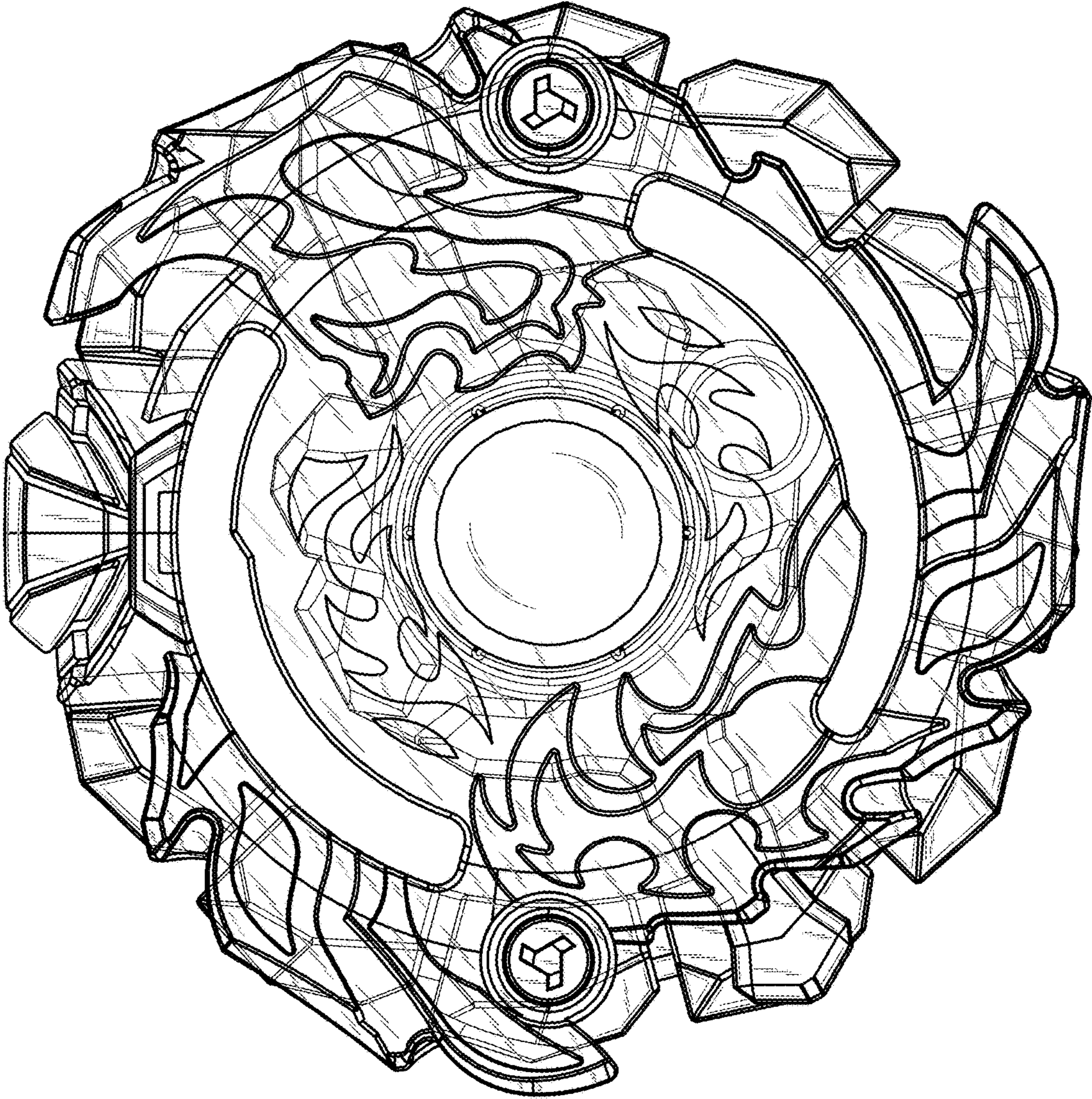


FIG. 5

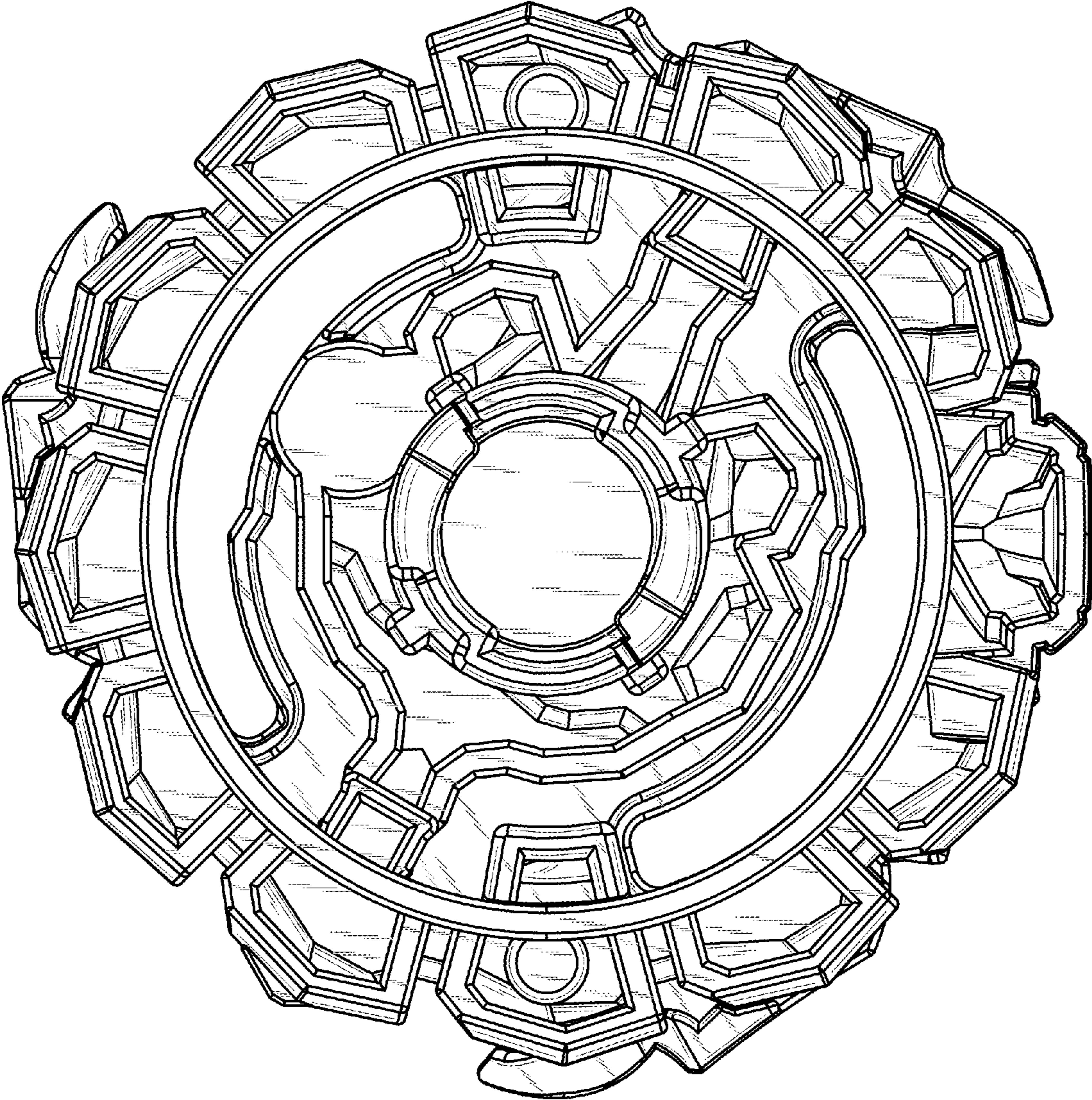


FIG. 6

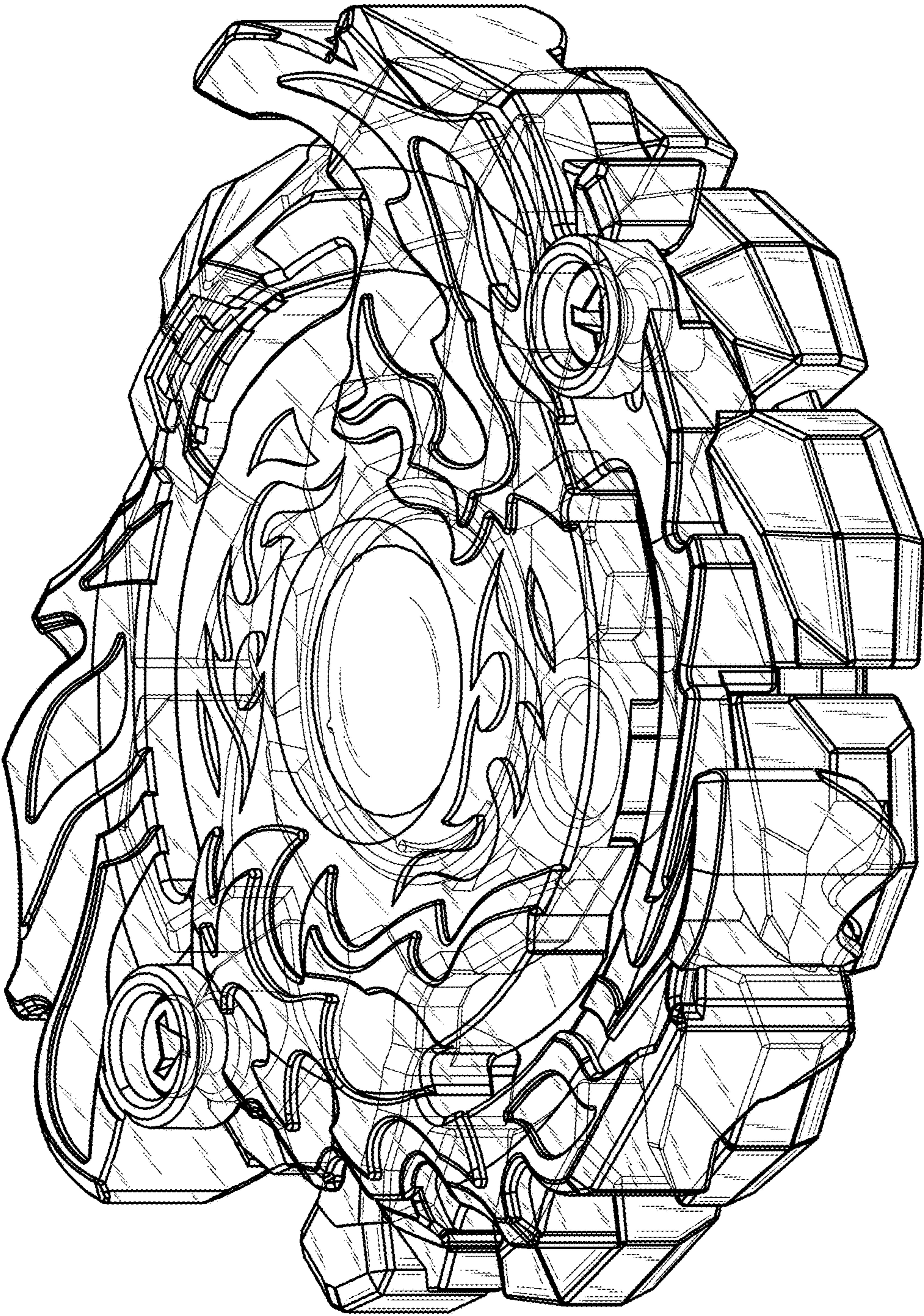


FIG. 7

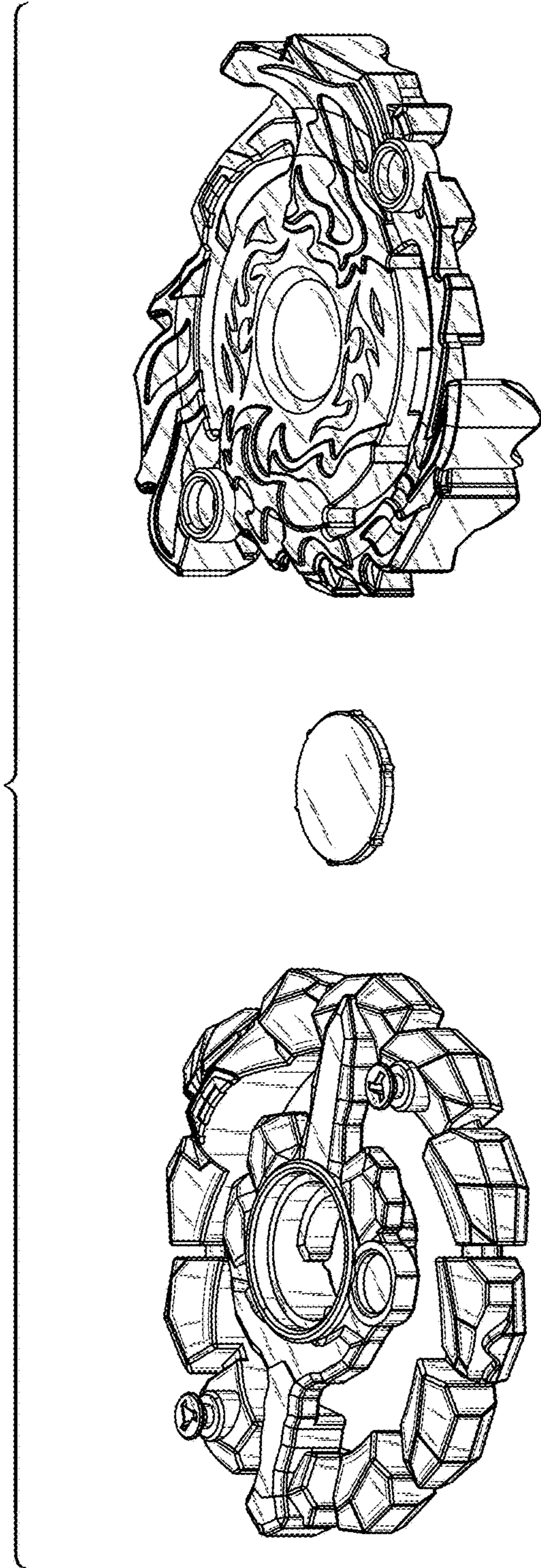


FIG. 8

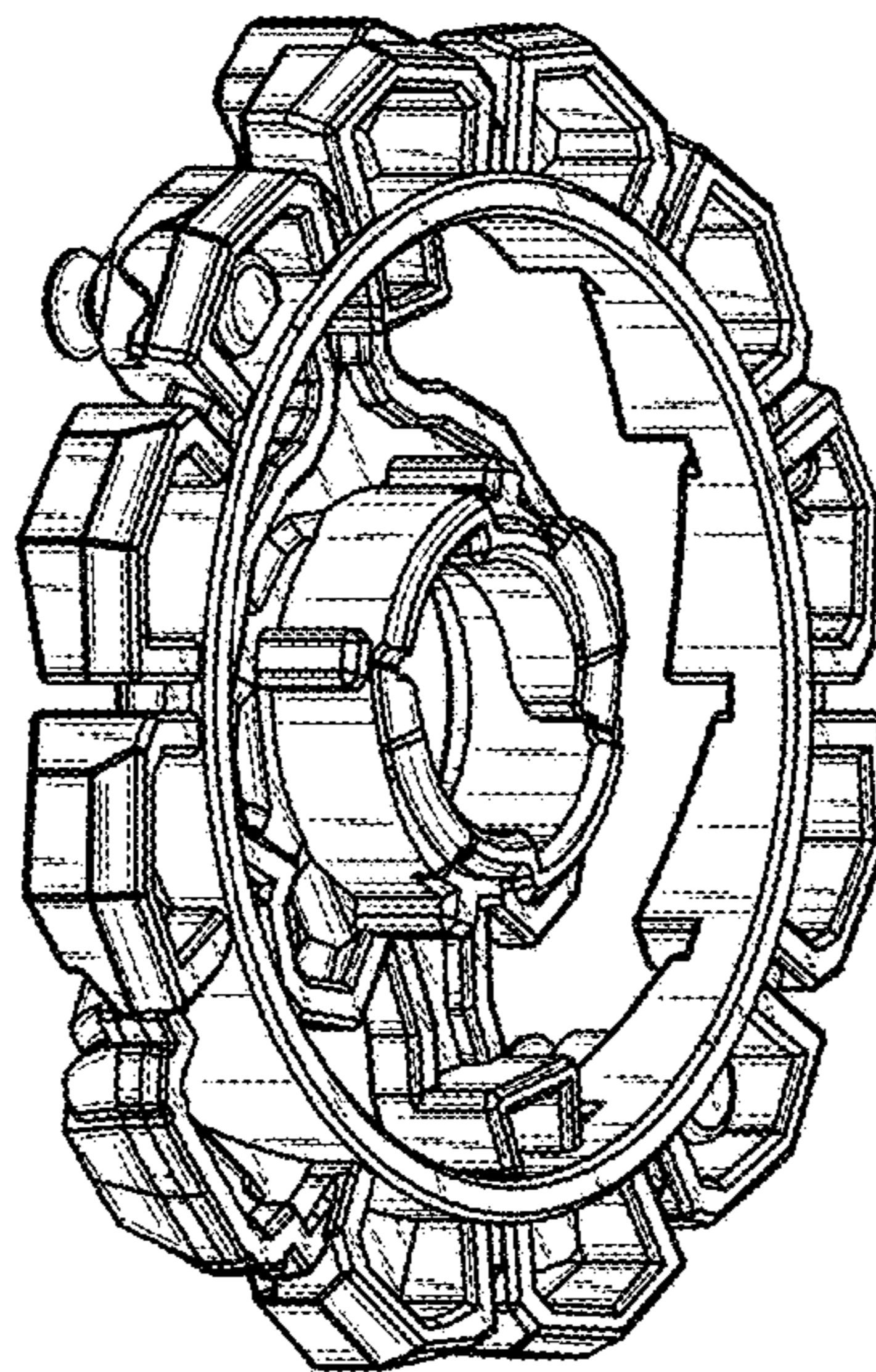
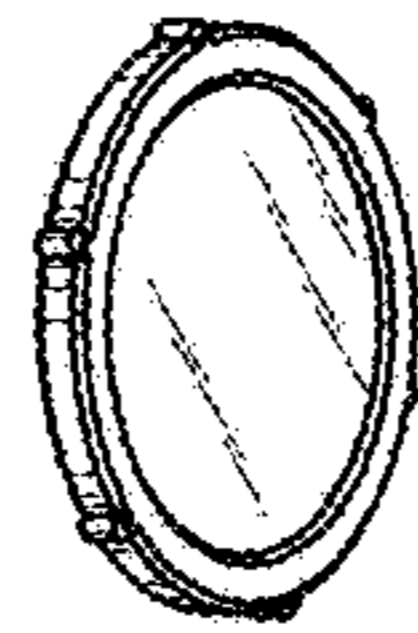
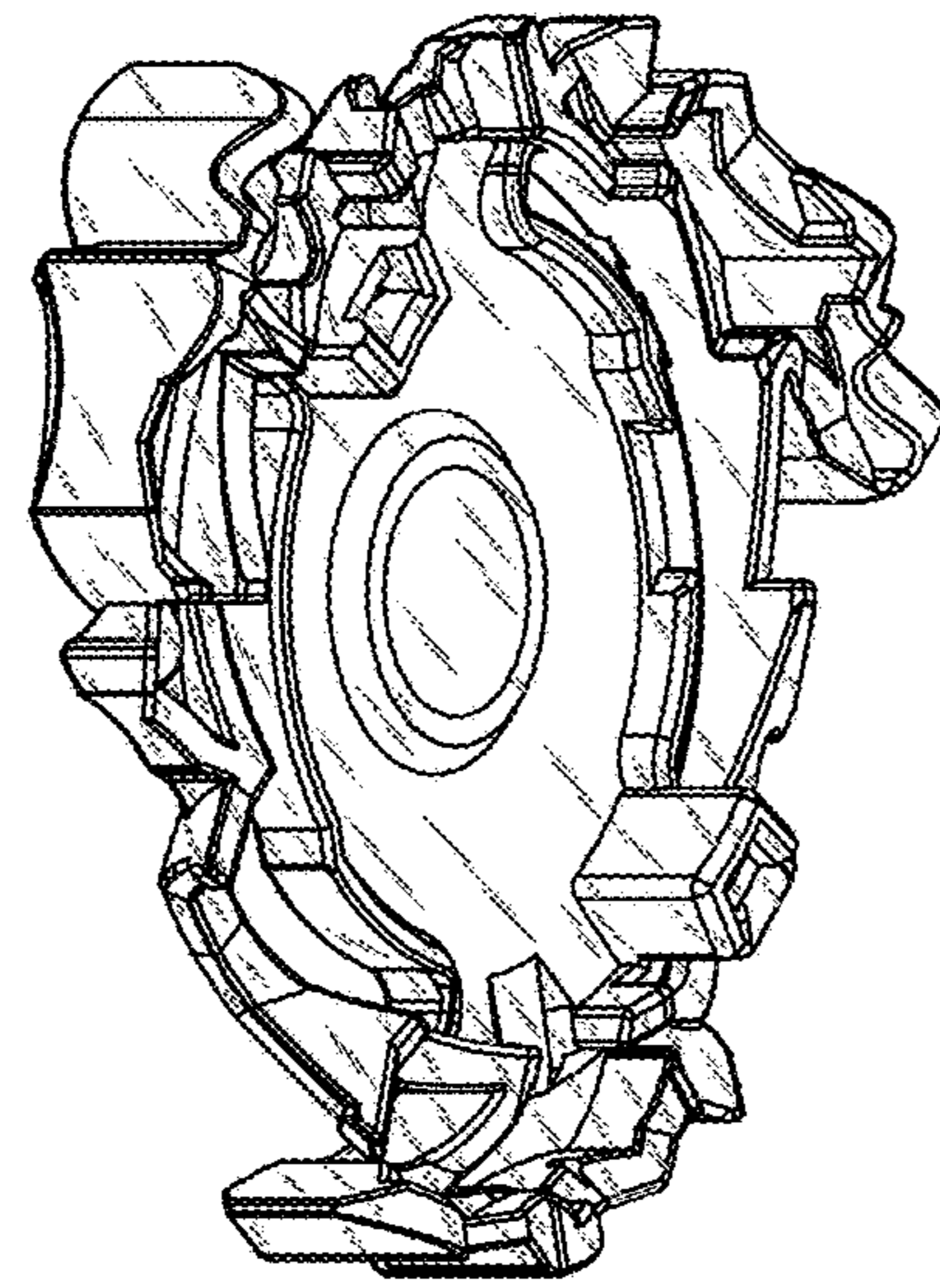


FIG. 9