



US00D855118S

(12) **United States Design Patent**
Saito et al.

(10) **Patent No.:** **US D855,118 S**
(45) **Date of Patent:** **** Jul. 30, 2019**

(54) **ACCESSORY FOR SPINNING TOP TOY**
(71) Applicant: **TOMY COMPANY, LTD.**, Tokyo (JP)
(72) Inventors: **Shina Saito**, Tokyo (JP); **Toshinobu Ishii**, Saitama (JP)

2014/0302743 A1* 10/2014 Cai A63H 1/18
446/256
2015/0017872 A1* 1/2015 Choi A63H 1/02
446/259
2016/0325190 A1* 11/2016 Muraki A63H 1/02

(73) Assignee: **TOMY COMPANY, LTD.**, Tokyo (JP)
(**) Term: **15 Years**

FOREIGN PATENT DOCUMENTS

(21) Appl. No.: **29/644,201**

CN 302255893 * 12/2012
CN 303533297 * 12/2015
CN 303794519 * 8/2016
CN 303863705 * 9/2016
CN 303863727 * 9/2016
CN 303913082 * 11/2016
CN 303970411 * 12/2016
CN 304375986 * 11/2017
CN 304401274 * 12/2017
JP 3160657 U * 7/2010 A63H 1/00
JP D1565798 * 12/2016

(22) Filed: **Apr. 16, 2018**

(30) **Foreign Application Priority Data**

(Continued)

Oct. 19, 2017 (JP) 2017-023134

(51) **LOC (11) Cl.** **21-01**
(52) **U.S. Cl.**
USPC **D21/460**
(58) **Field of Classification Search**
USPC D21/455-464; 446/236-266
CPC A63H 1/00-32
See application file for complete search history.

Primary Examiner — Catherine A Tuttle
(74) *Attorney, Agent, or Firm* — Oliff PLC

(56) **References Cited**

(57) **CLAIM**

The ornamental design for an accessory for spinning top toy, as shown and described.

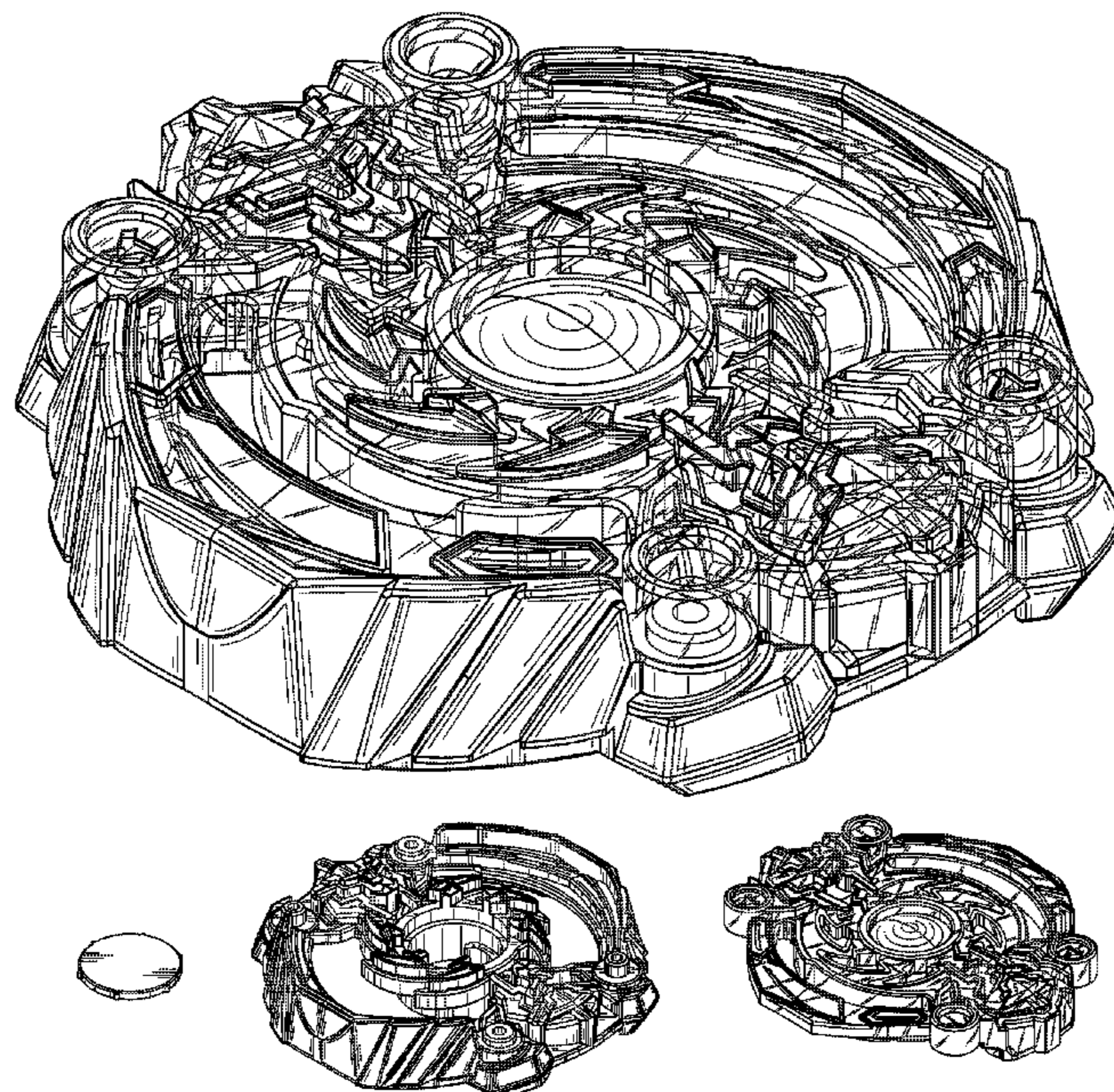
U.S. PATENT DOCUMENTS

DESCRIPTION

D615,134 S * 5/2010 Nishimoto D21/460
D629,051 S * 12/2010 Nishimoto D21/460
D629,468 S * 12/2010 Ujita D21/460
D646,729 S * 10/2011 Ujita D21/460
D662,556 S * 6/2012 Horikoshi D21/460
D820,919 S * 6/2018 Horikoshi D21/460
D827,046 S * 8/2018 Horikoshi D21/460
D828,456 S * 9/2018 Muraki D21/460
D837,899 S * 1/2019 Narita D21/460
D839,967 S * 2/2019 Horikoshi D21/460

FIG. 1 is a front elevational view of the accessory for spinning top toy;
FIG. 2 is a left-side elevational view thereof;
FIG. 3 is a rear elevational view thereof;
FIG. 4 is a right-side elevational view thereof;
FIG. 5 is a top plan view thereof;
FIG. 6 is a bottom plan view thereof;
FIG. 7 is a front, top, left-side perspective view thereof;
FIG. 8 is a disassembled front, top, right-side perspective view thereof; and,
FIG. 9 is a disassembled rear, bottom and left-side perspective view thereof.

1 Claim, 9 Drawing Sheets



(56)

References Cited

FOREIGN PATENT DOCUMENTS

JP	6111365	B1	*	4/2017	A63H	1/02
JP	6258541	B1	*	1/2018	A63H	1/04
WO	WO-2010151017	A2	*	12/2010	A63H	1/02

* cited by examiner

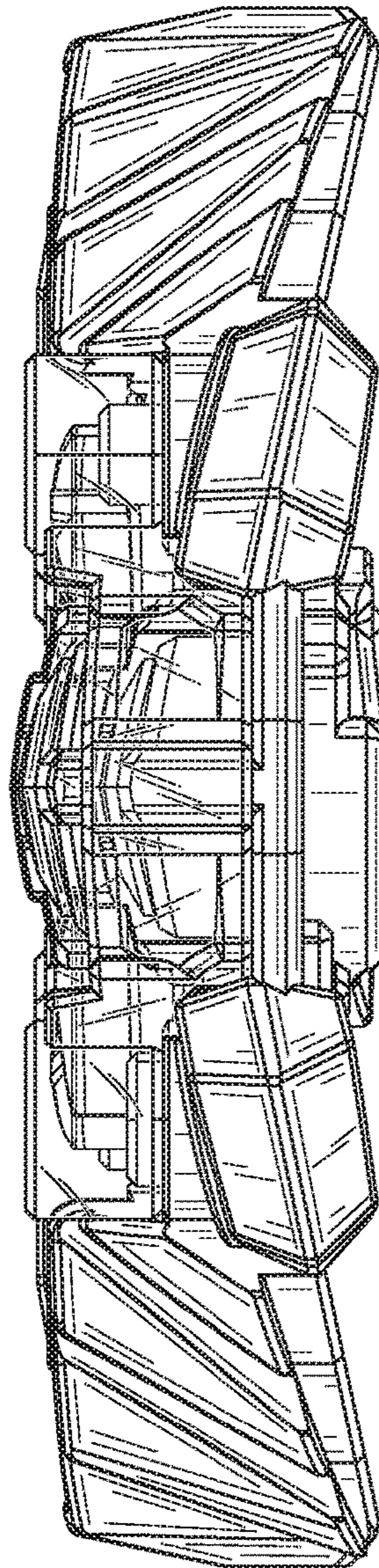


FIG. 1

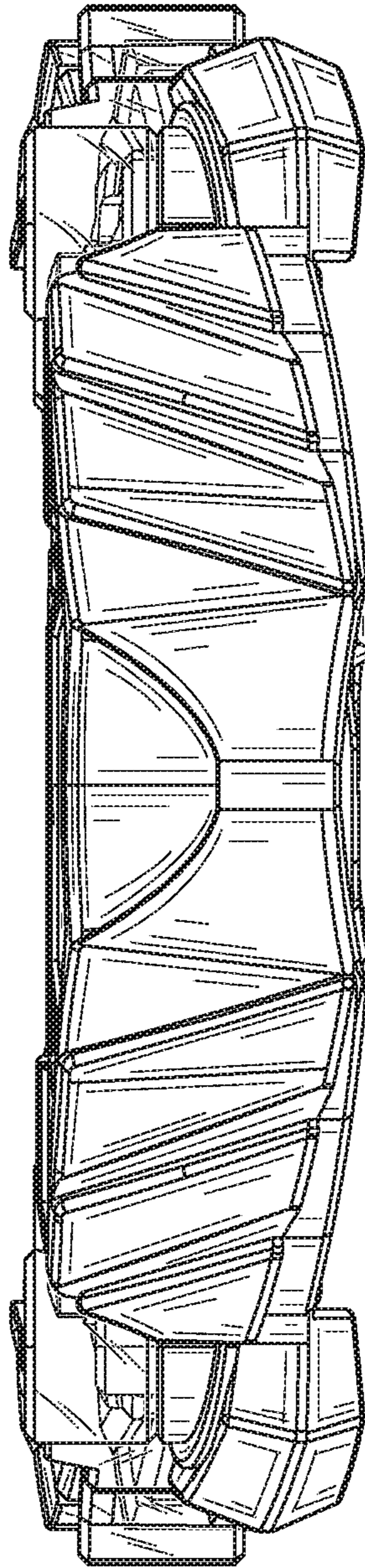


FIG. 2

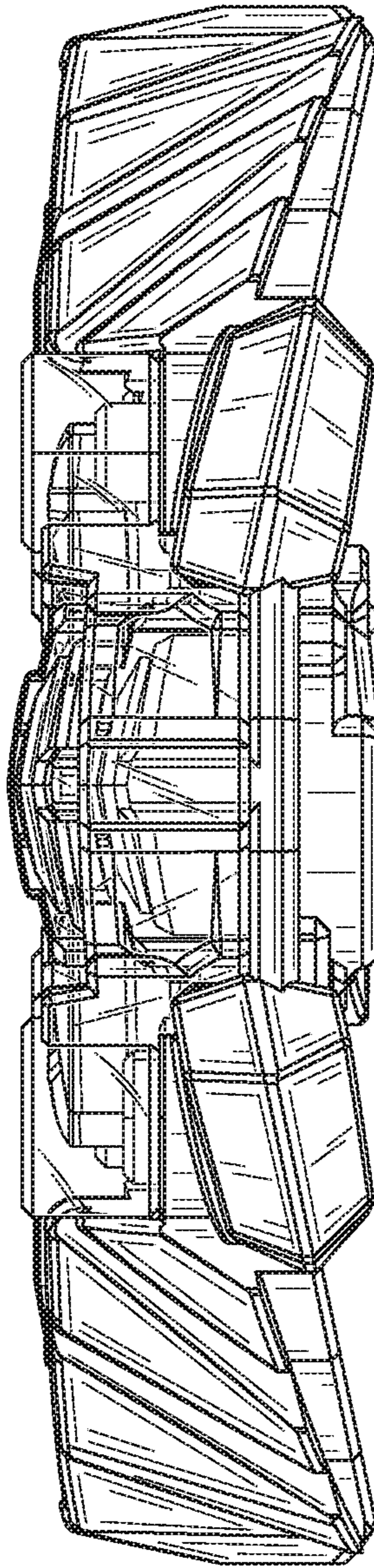


FIG. 3

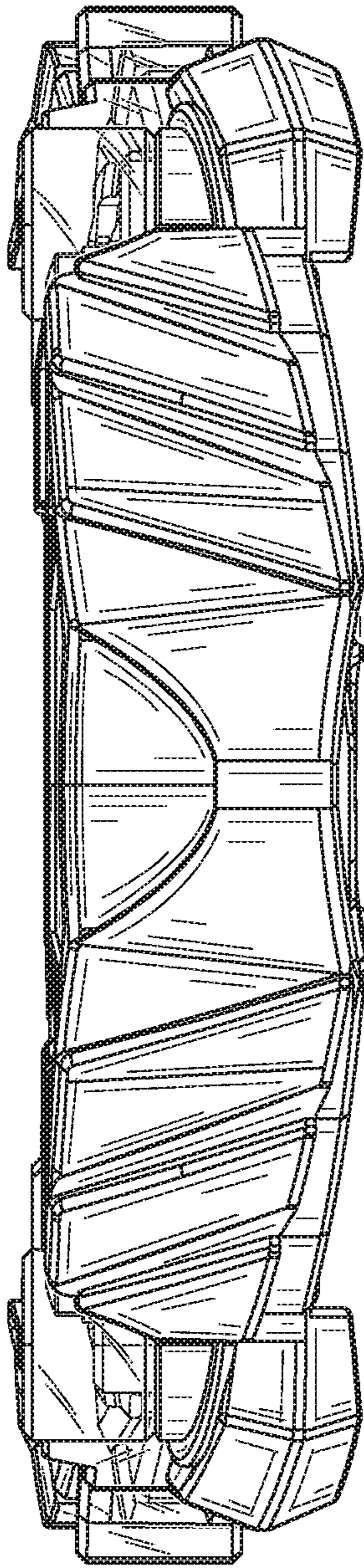


FIG. 4

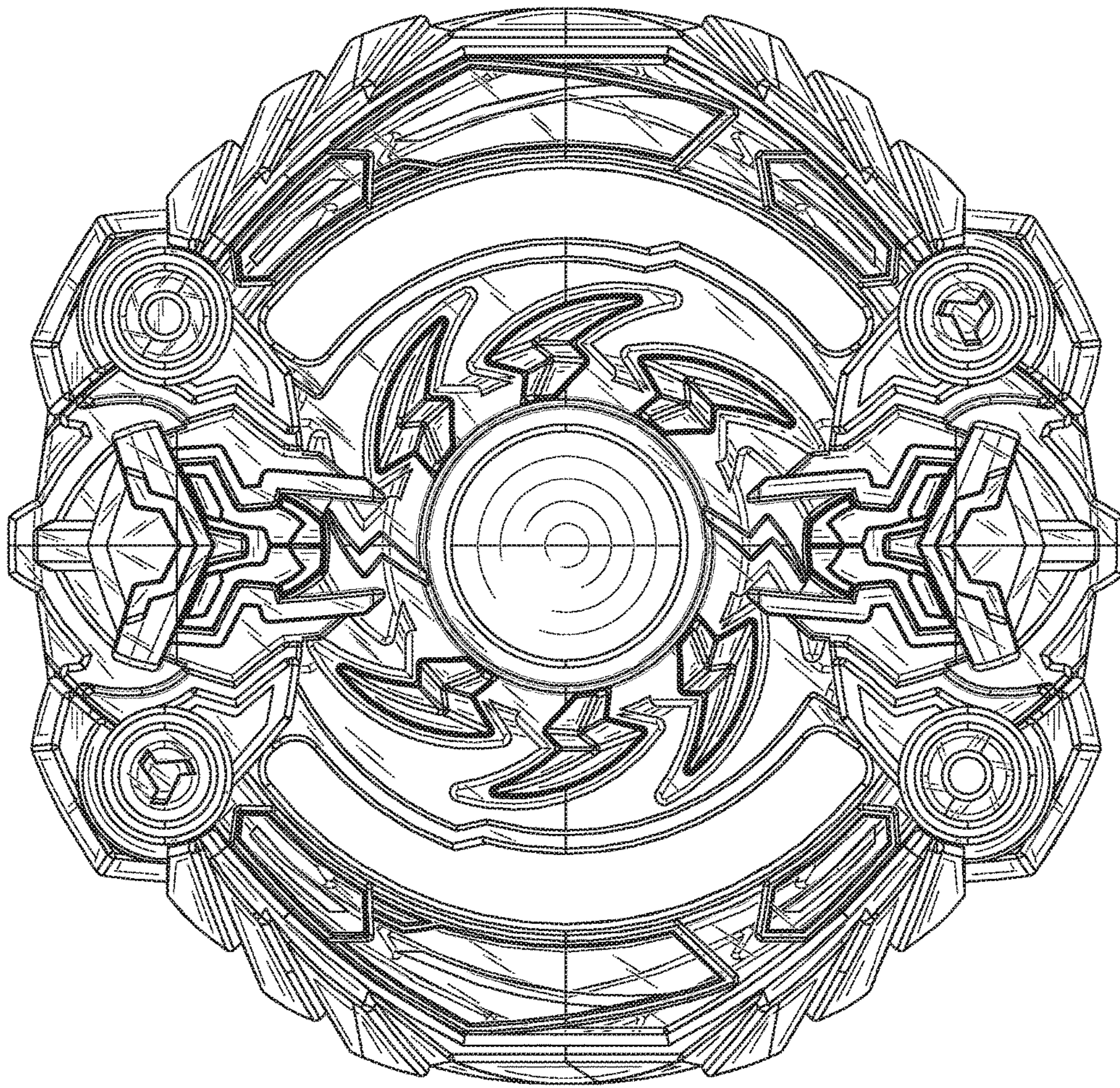


FIG. 5

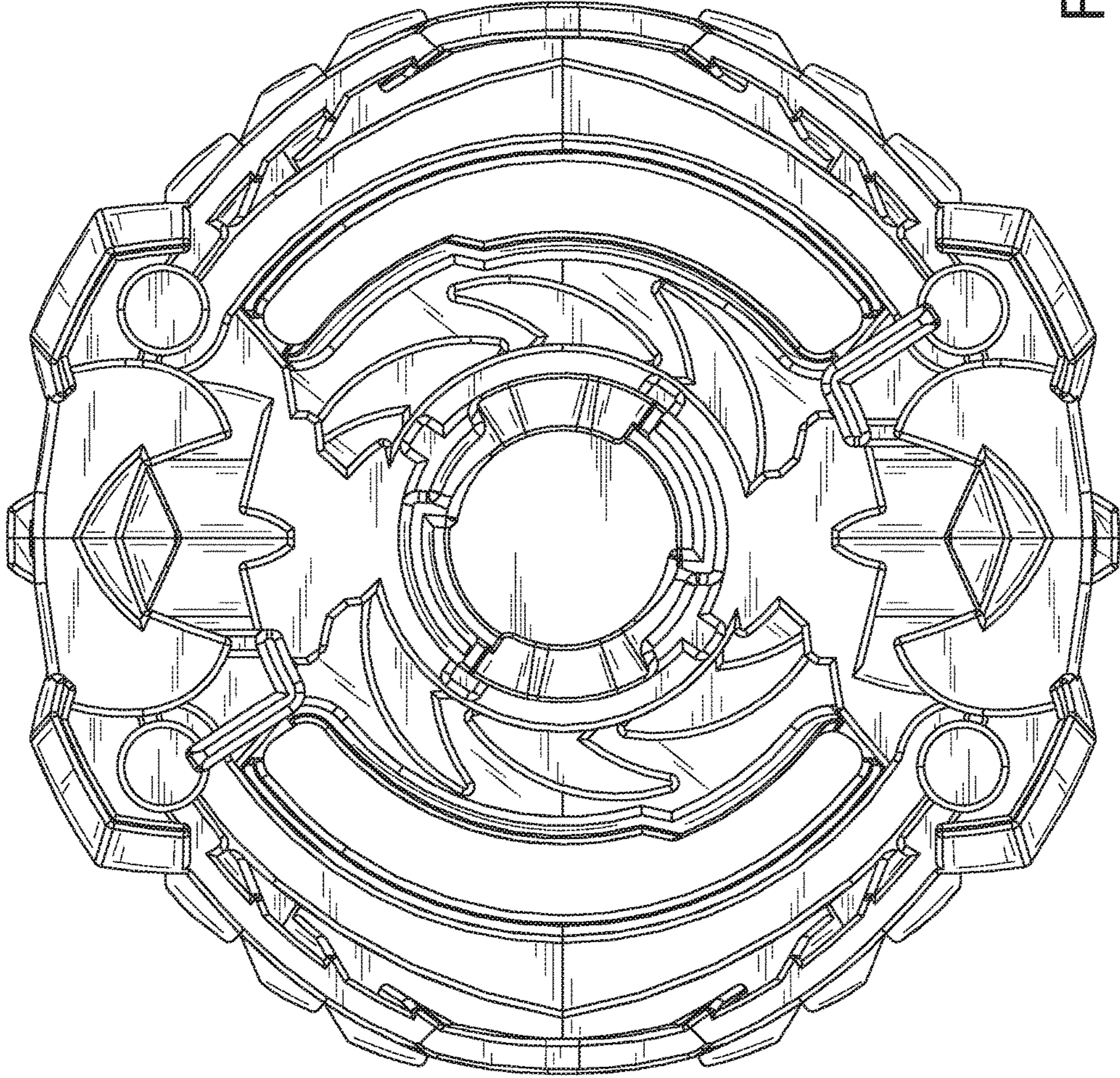


FIG. 6

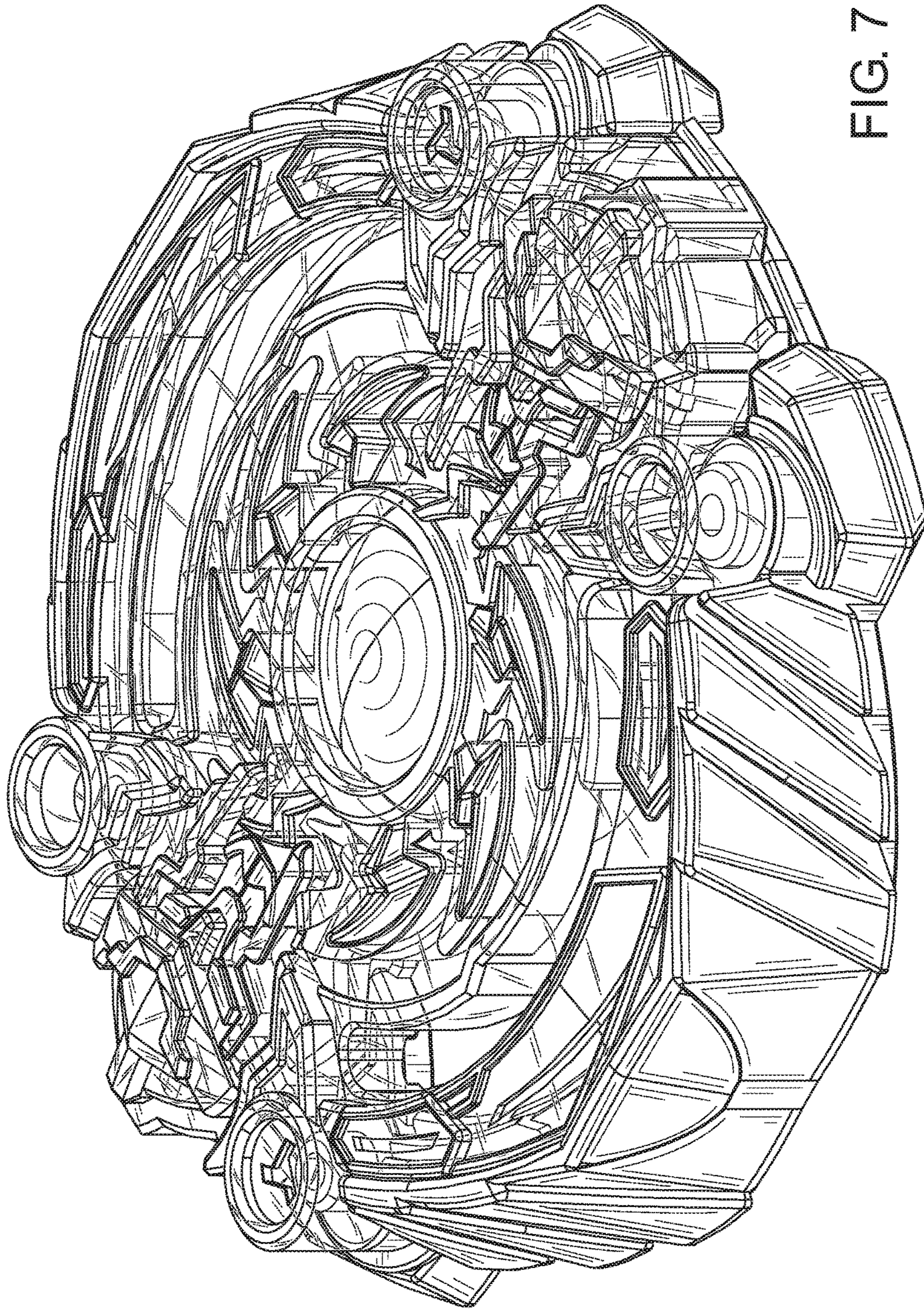


FIG. 7

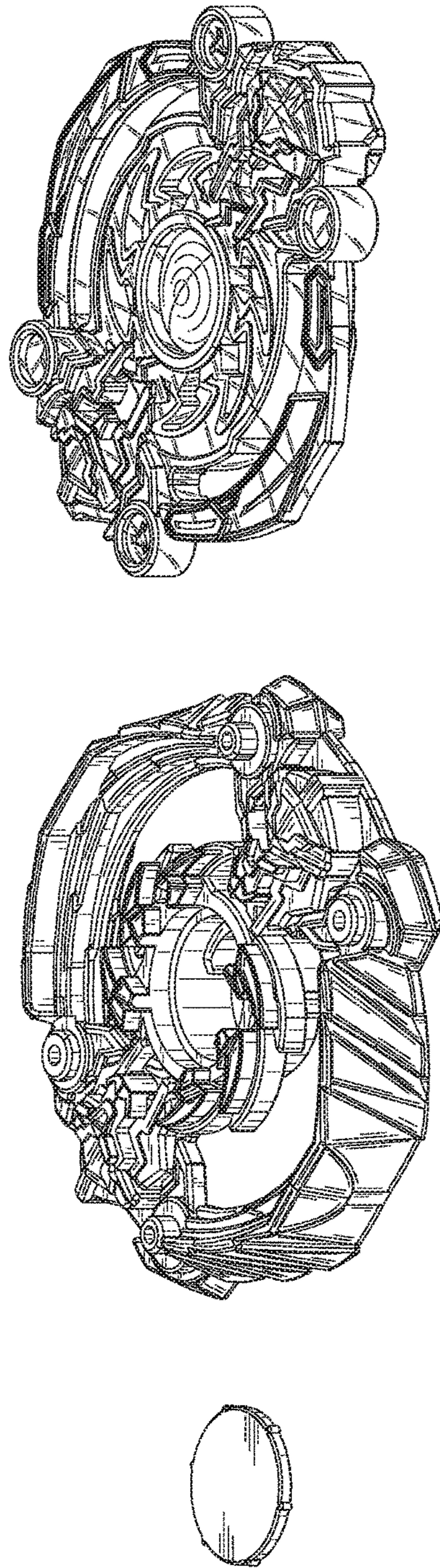


FIG. 8

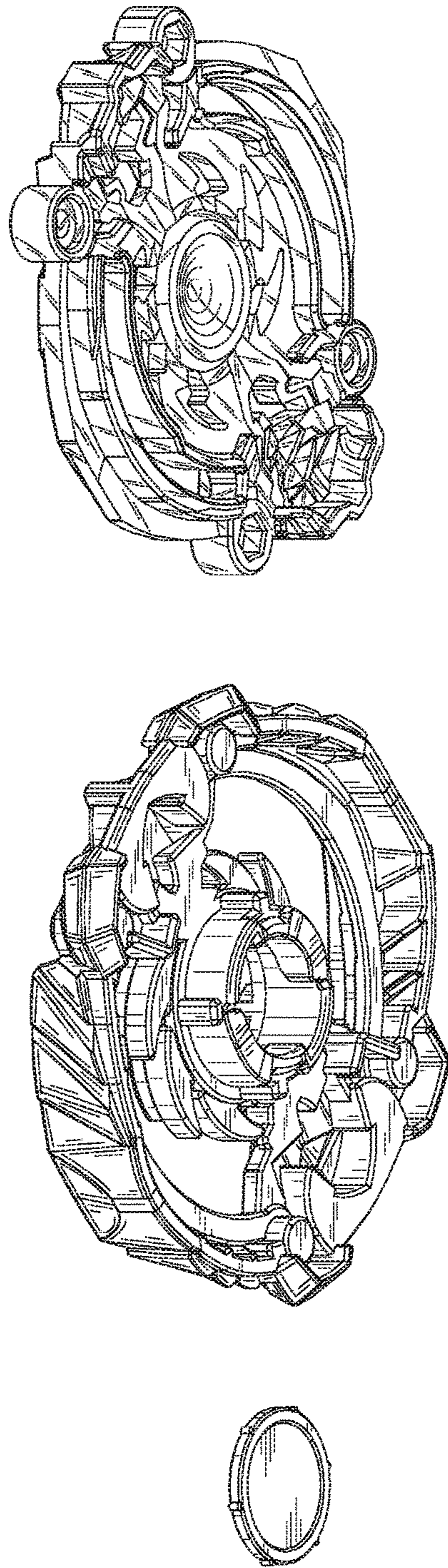


FIG. 9